



US00D707258S

(12) **United States Design Patent**
Tomioka et al.

(10) **Patent No.:** **US D707,258 S**
(45) **Date of Patent:** **** Jun. 17, 2014**

(54) **CATALYTIC CONVERTER**
(71) Applicants: **Hiroyuki Tomioka**, Oyama (JP);
Takashi Katou, Oyama (JP)

(72) Inventors: **Hiroyuki Tomioka**, Oyama (JP);
Takashi Katou, Oyama (JP)

(73) Assignee: **Komatsu Ltd.**, Tokyo (JP)

(**) Term: **14 Years**

(21) Appl. No.: **29/466,872**

(22) Filed: **Sep. 12, 2013**

(30) **Foreign Application Priority Data**

Jun. 18, 2013 (JP) 2013-013689

(51) **LOC (10) Cl.** **15-01**

(52) **U.S. Cl.**
USPC **D15/5**

(58) **Field of Classification Search**
USPC D15/1-5; 422/179, 177, 211, 213;
136/253; 60/302, 299; D12/400, 194
See application file for complete search history.

(56) **References Cited**

U.S. PATENT DOCUMENTS

7,157,060 B1 * 1/2007 Newburry 422/177
7,919,052 B2 * 4/2011 Ahmed 422/179

8,066,950 B2 * 11/2011 Newburry et al. 422/180
8,302,306 B2 * 11/2012 Hill et al. 29/890
2008/0229733 A1 * 9/2008 Newburry et al. 60/299
2011/0142723 A1 * 6/2011 Yamamoto 422/177
2013/0097978 A1 * 4/2013 Nagasaka et al. 55/332

* cited by examiner

Primary Examiner — T. Chase Nelson

Assistant Examiner — Ania Aman

(74) *Attorney, Agent, or Firm* — Patterson Thuent Pedersen, P.A.

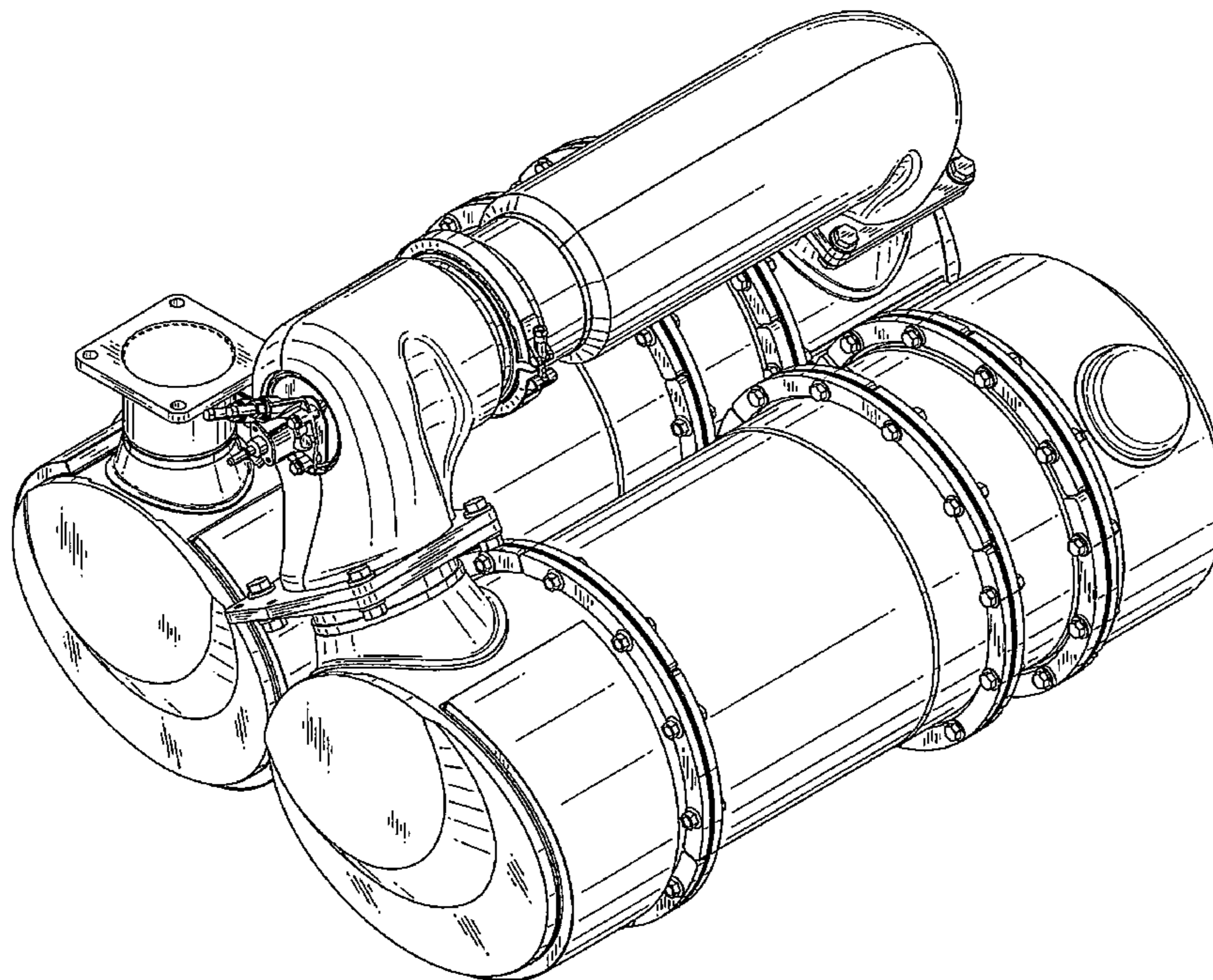
(57) **CLAIM**

We claim the ornamental design for a catalytic converter, as shown and described.

DESCRIPTION

FIG. 1 is a front perspective view of a catalytic converter showing our new design;
FIG. 2 is a rear perspective view thereof;
FIG. 3 is a front view thereof;
FIG. 4 is a rear view thereof;
FIG. 5 is a top plan view thereof;
FIG. 6 is a bottom plan view thereof;
FIG. 7 is a right side view thereof; and,
FIG. 8 is a left side view thereof.
The features shown in broken lines in the drawing depict environmental subject matter only and form no part of the claimed design.

1 Claim, 8 Drawing Sheets



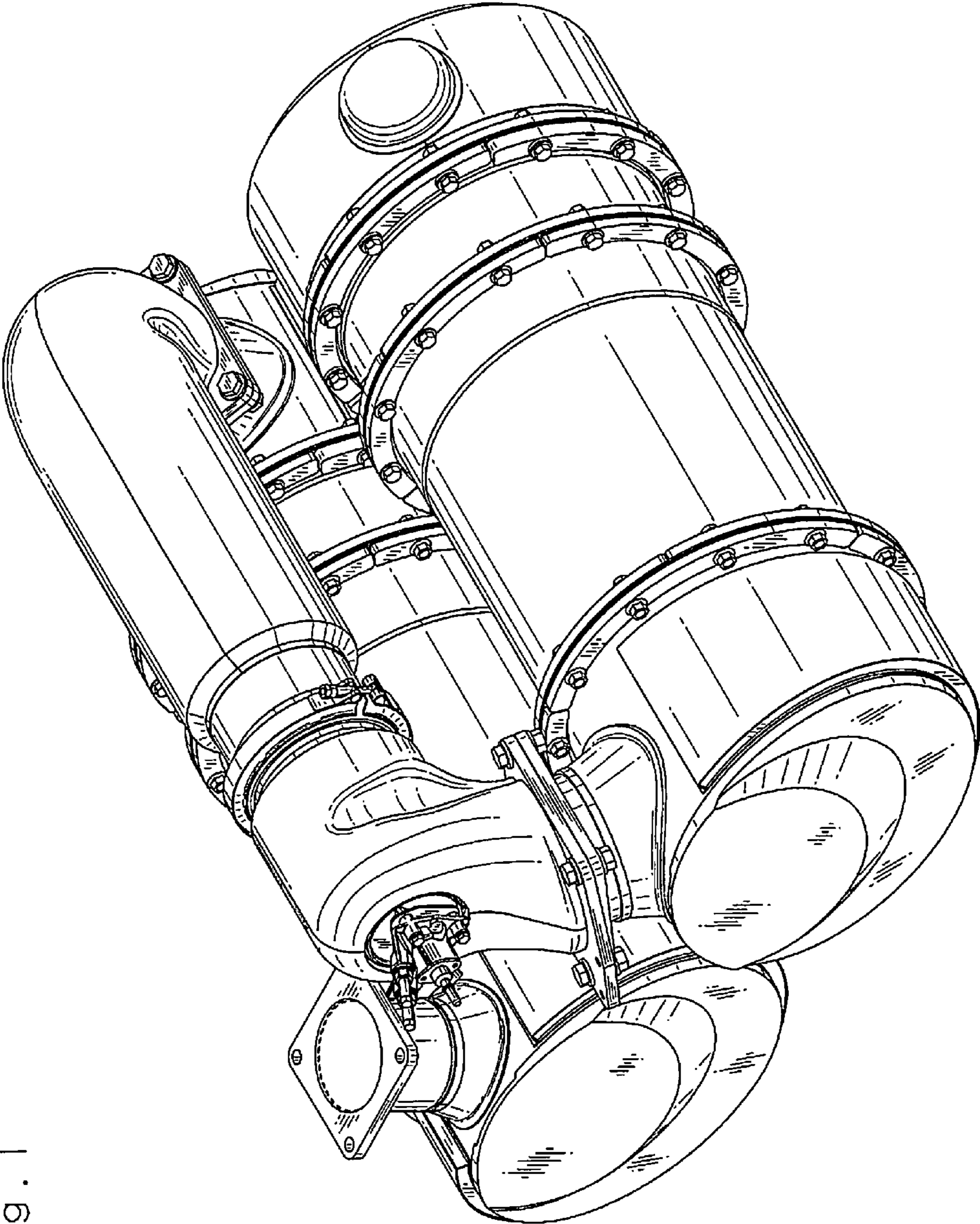


Fig. 1

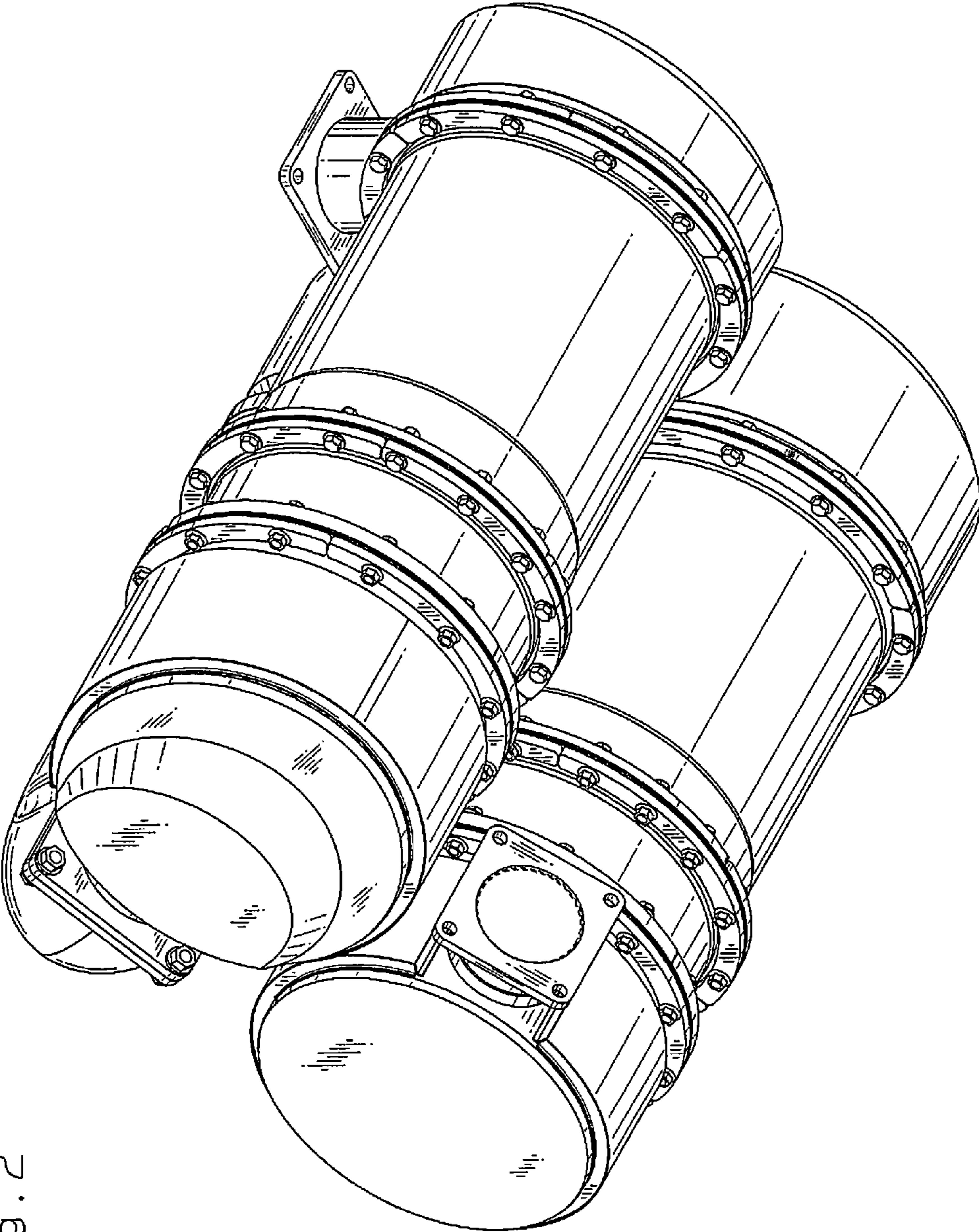


Fig. 2

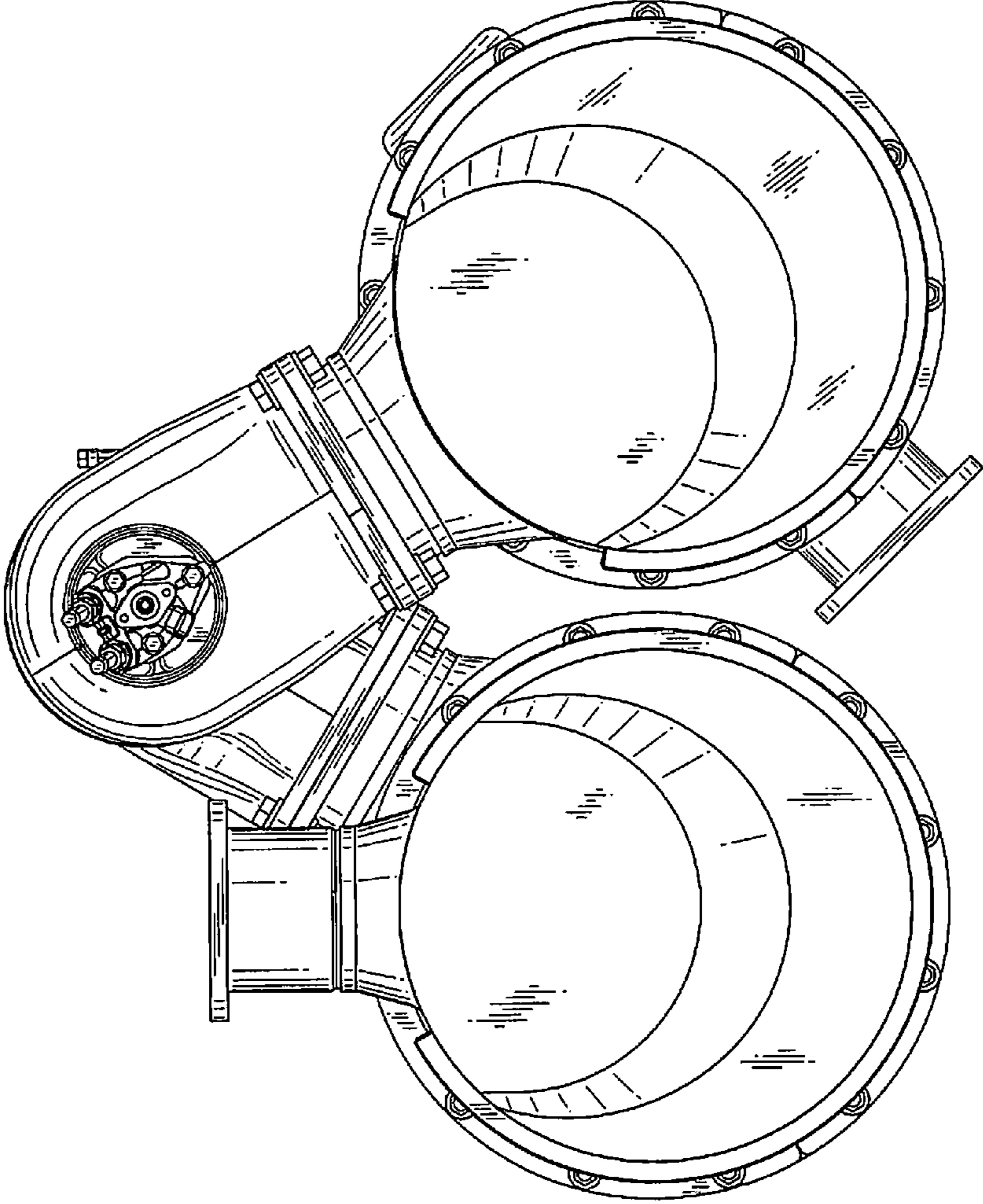


Fig. 3

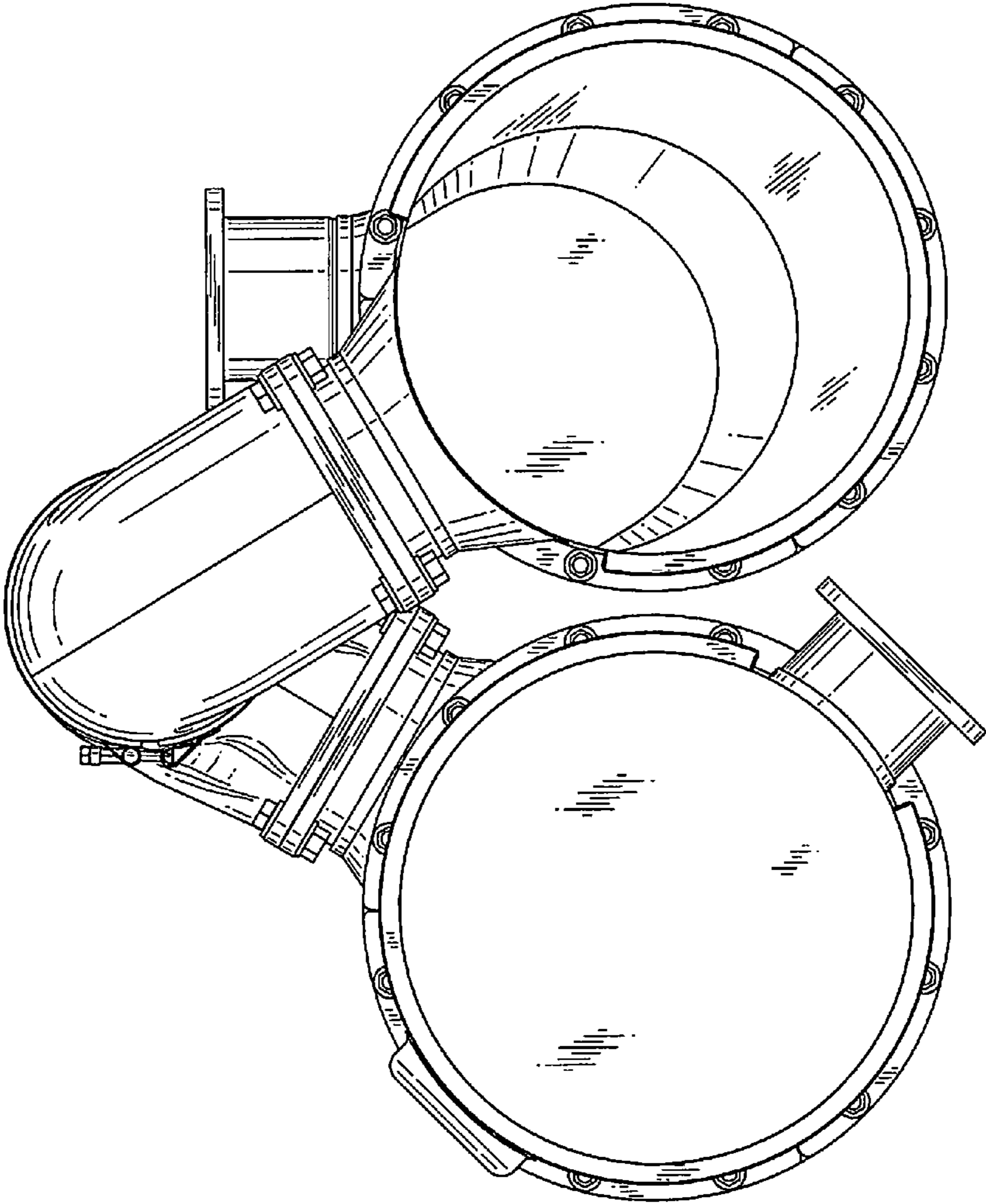


Fig. 4

Fig. 5

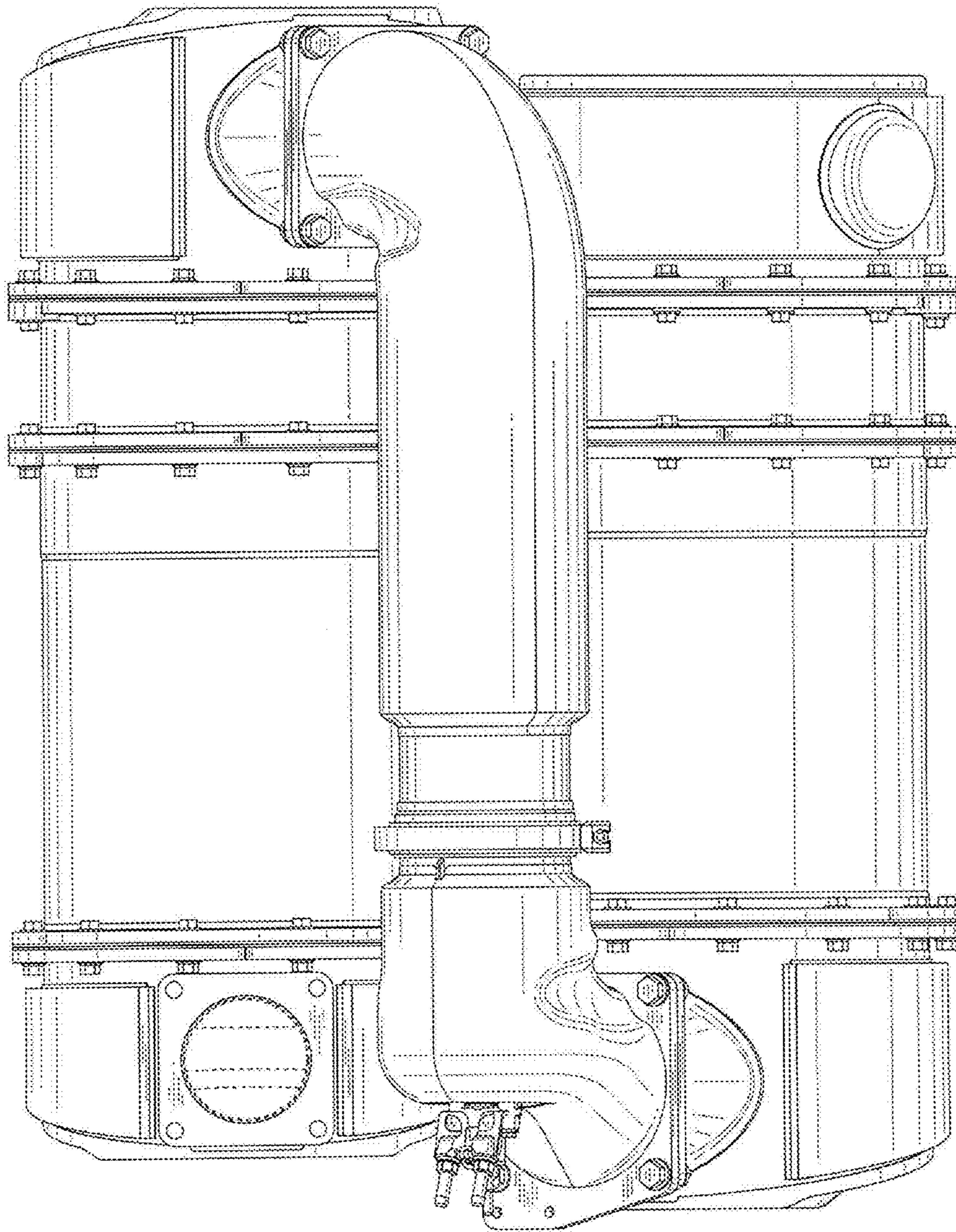
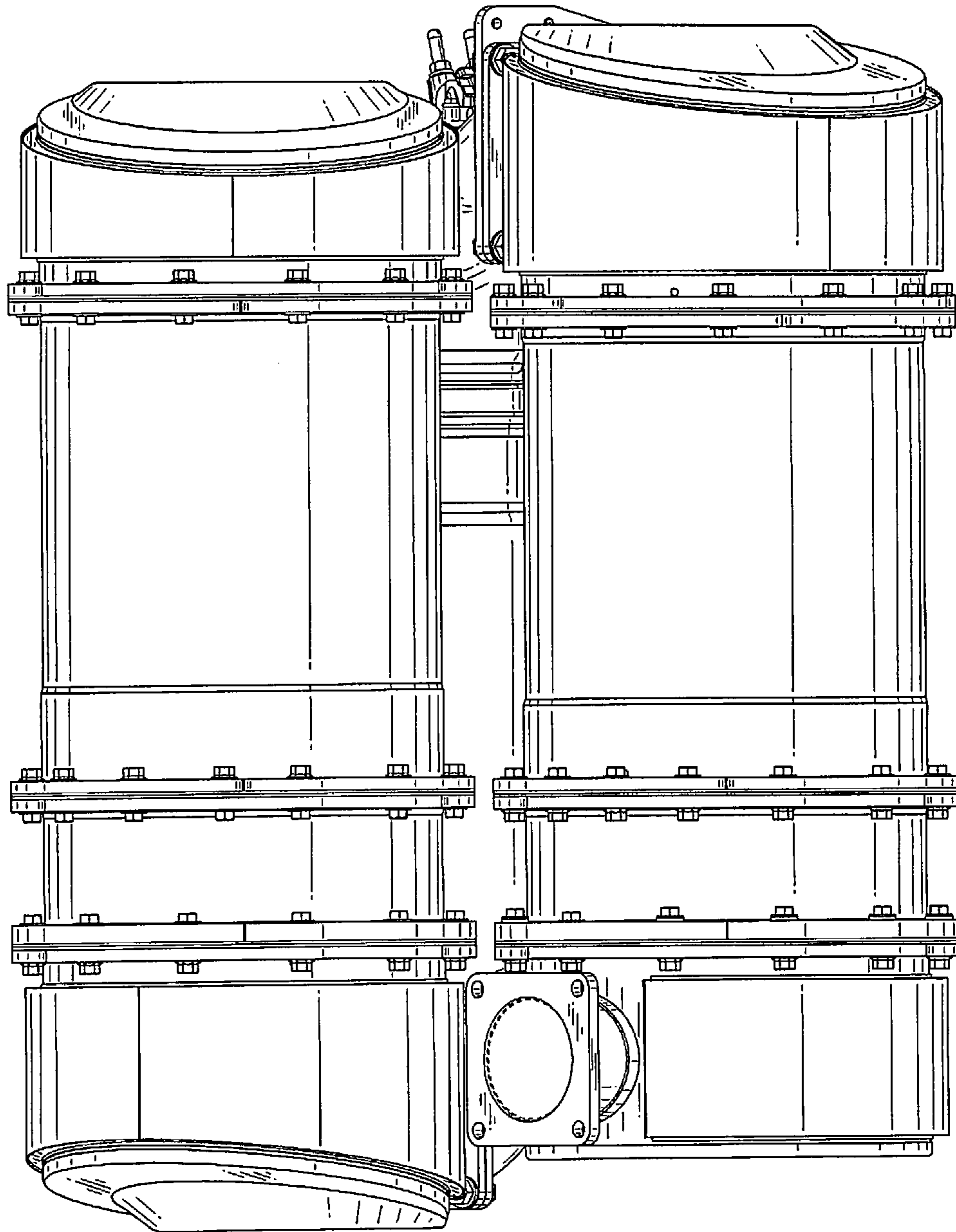


Fig. 6



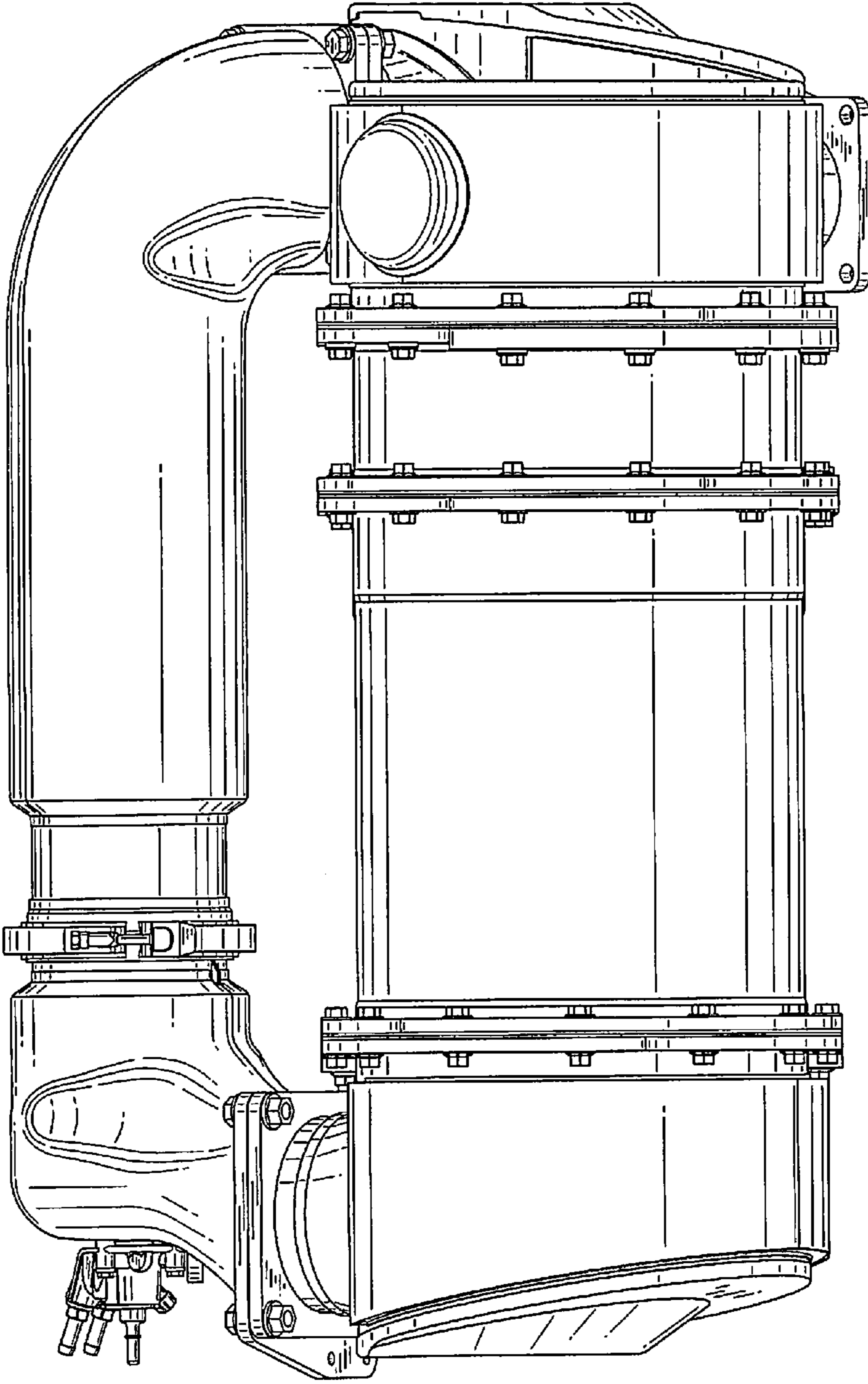


Fig. 7

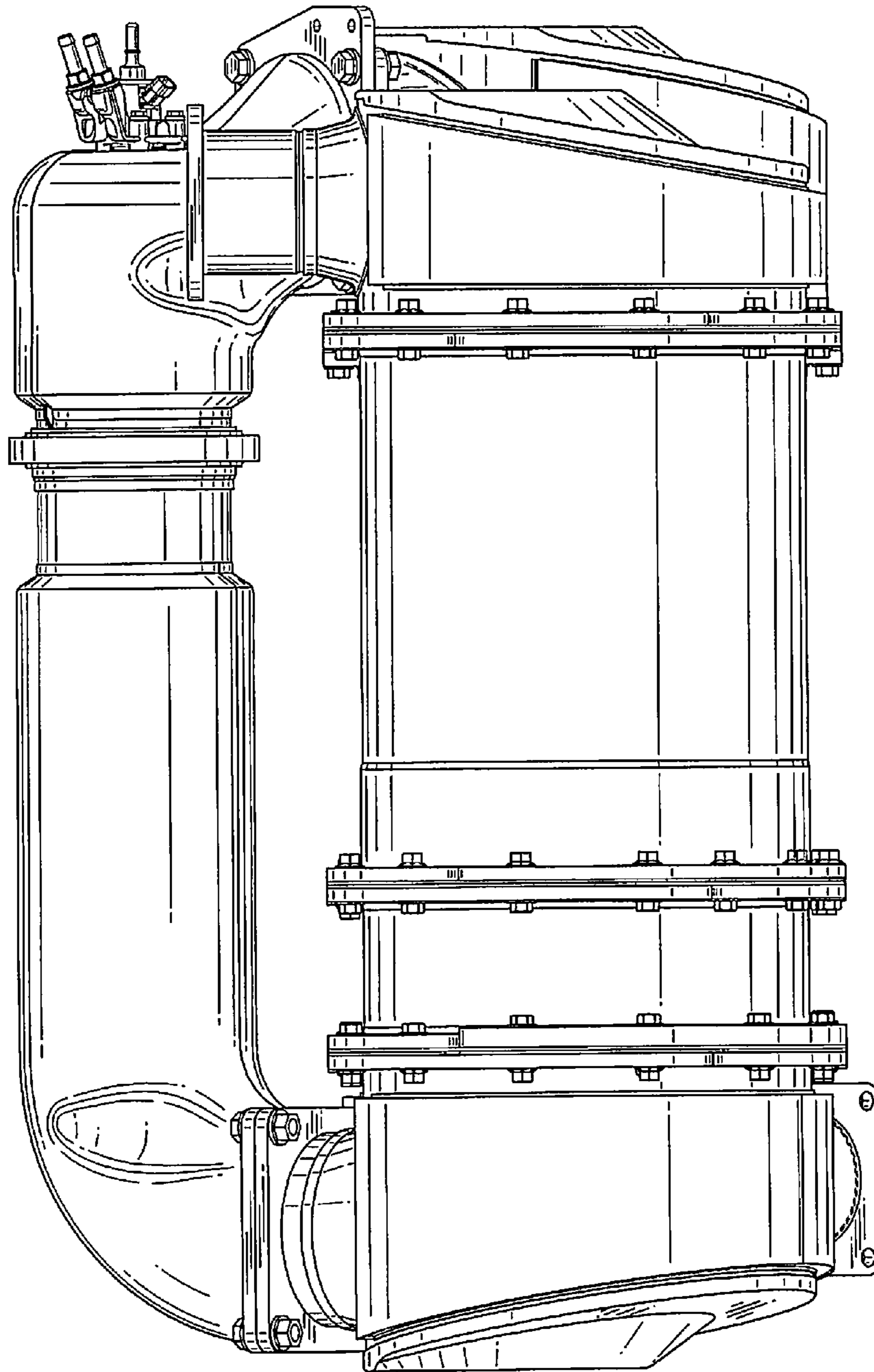


Fig. 8