



US00D707257S

(12) **United States Design Patent**
Song et al.

(10) **Patent No.:** **US D707,257 S**
(45) **Date of Patent:** **** Jun. 17, 2014**

(54) **BASE PLATE FOR SPINDLE MOTOR**

- (71) Applicant: **Samhongs Co., Ltd.**, Seoul (KR)
- (72) Inventors: **Chang Seob Song**, Seoul (KR); **Chang Soo Kang**, Seoul (KR)
- (73) Assignee: **Samhongs Co., Ltd.** (KR)
- (**) Term: **14 Years**
- (21) Appl. No.: **29/464,100**
- (22) Filed: **Aug. 13, 2013**

Related U.S. Application Data

- (63) Continuation-in-part of application No. 29/435,860, filed on Oct. 30, 2012, now abandoned.

Foreign Application Priority Data

Apr. 30, 2012 (KR) 30-2012-0020880

- (51) **LOC (10) Cl.** **15-01**
- (52) **U.S. Cl.**
USPC **D15/5**
- (58) **Field of Classification Search**
USPC D15/1-6; D13/112, 122; 310/89
See application file for complete search history.

(56) **References Cited**

U.S. PATENT DOCUMENTS

D492,252 S	6/2004	Su	
7,385,326 B2	6/2008	Sims, Jr. et al.	
D602,043 S	10/2009	Linnig	
2007/0152524 A1*	7/2007	Sims et al.	310/89
2011/0309724 A1	12/2011	Min et al.	

* cited by examiner

Primary Examiner — T. Chase Nelson
Assistant Examiner — Ania Aman
(74) *Attorney, Agent, or Firm* — Cantor Colburn LLP

CLAIM

The ornamental design for a base plate for spindle motor, as shown and described.

DESCRIPTION

FIG. 1 is a perspective view of a base plate for spindle motor showing our new design;
FIG. 2 is a front view thereof;
FIG. 3 is a rear view thereof;
FIG. 4 is a left side view thereof;
FIG. 5 is a right side view thereof;
FIG. 6 is a top plan view thereof;
FIG. 7 is a bottom plan view thereof; and
FIG. 8 is a bottom perspective view thereof.
The broken lines are shown for purposes of illustrating portions of the base plate for spindle motor that form no part of the claimed design.

1 Claim, 6 Drawing Sheets

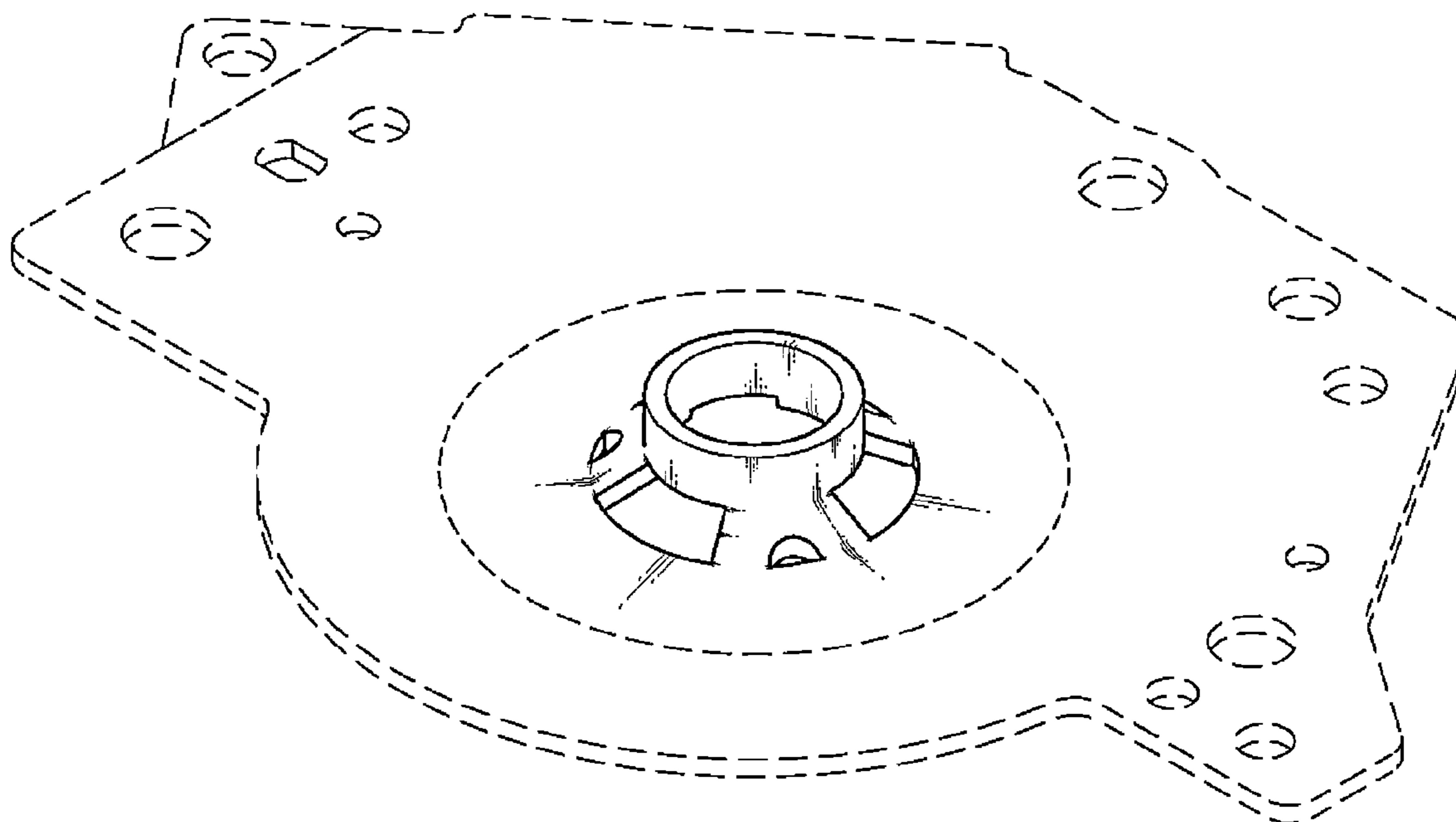


FIG. 1

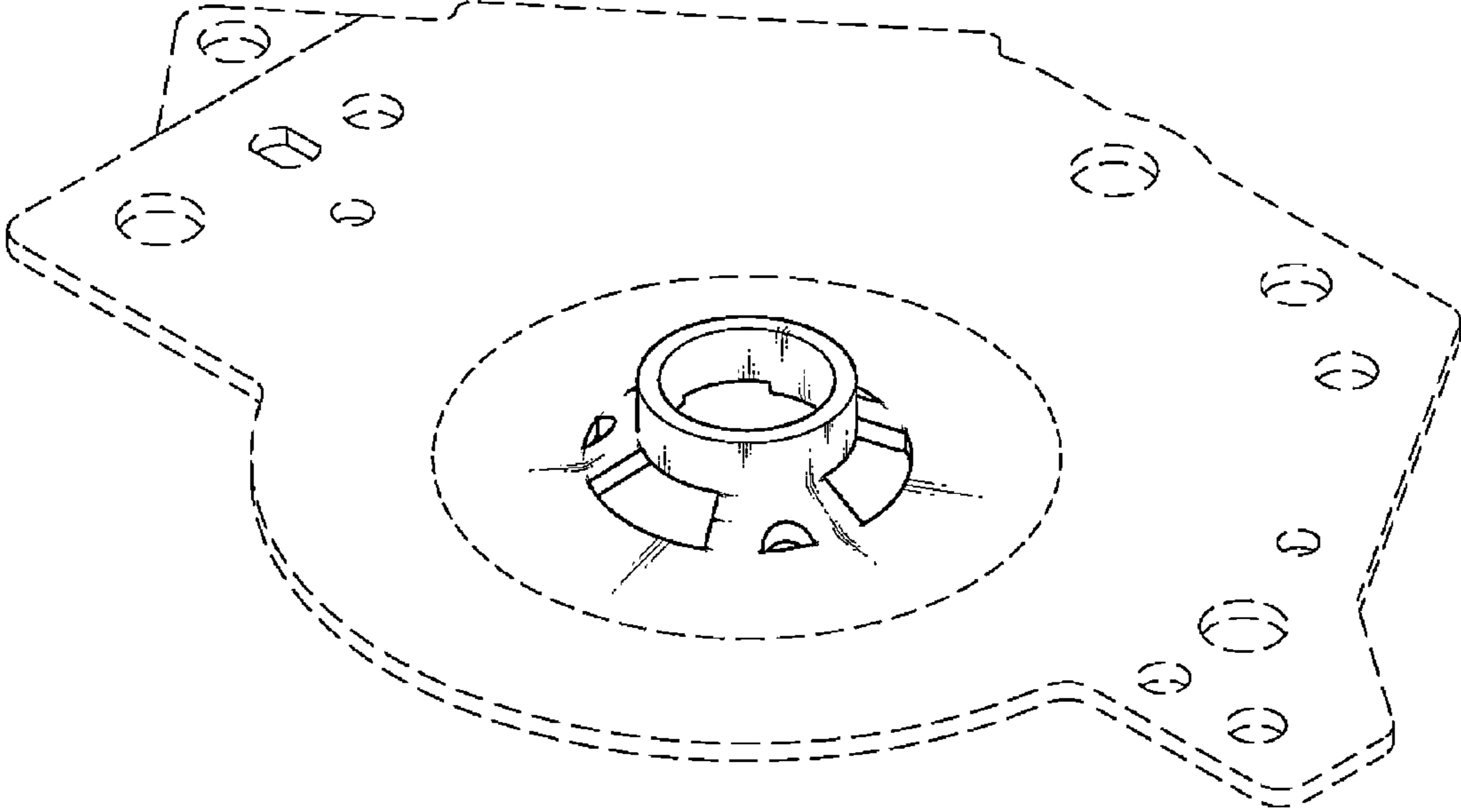


FIG. 2

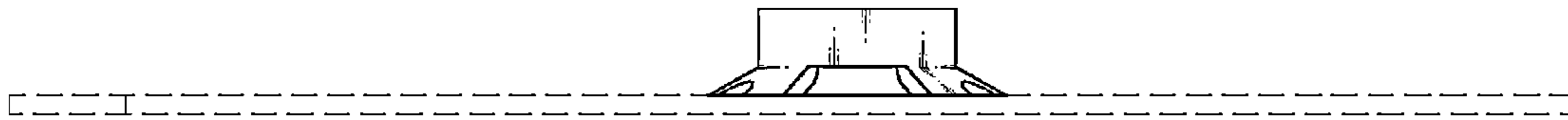


FIG. 3



FIG. 4



FIG. 5

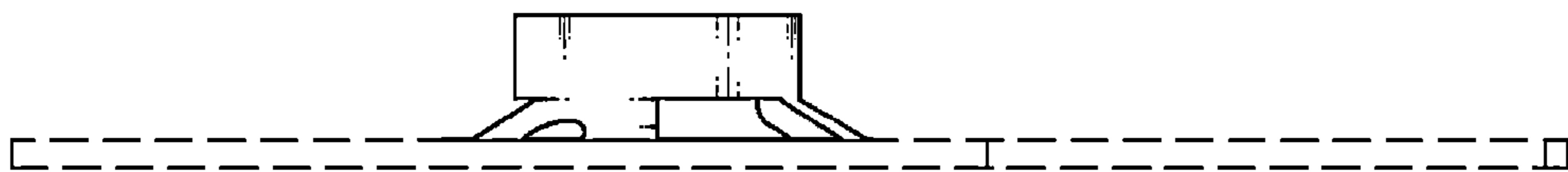


FIG. 6

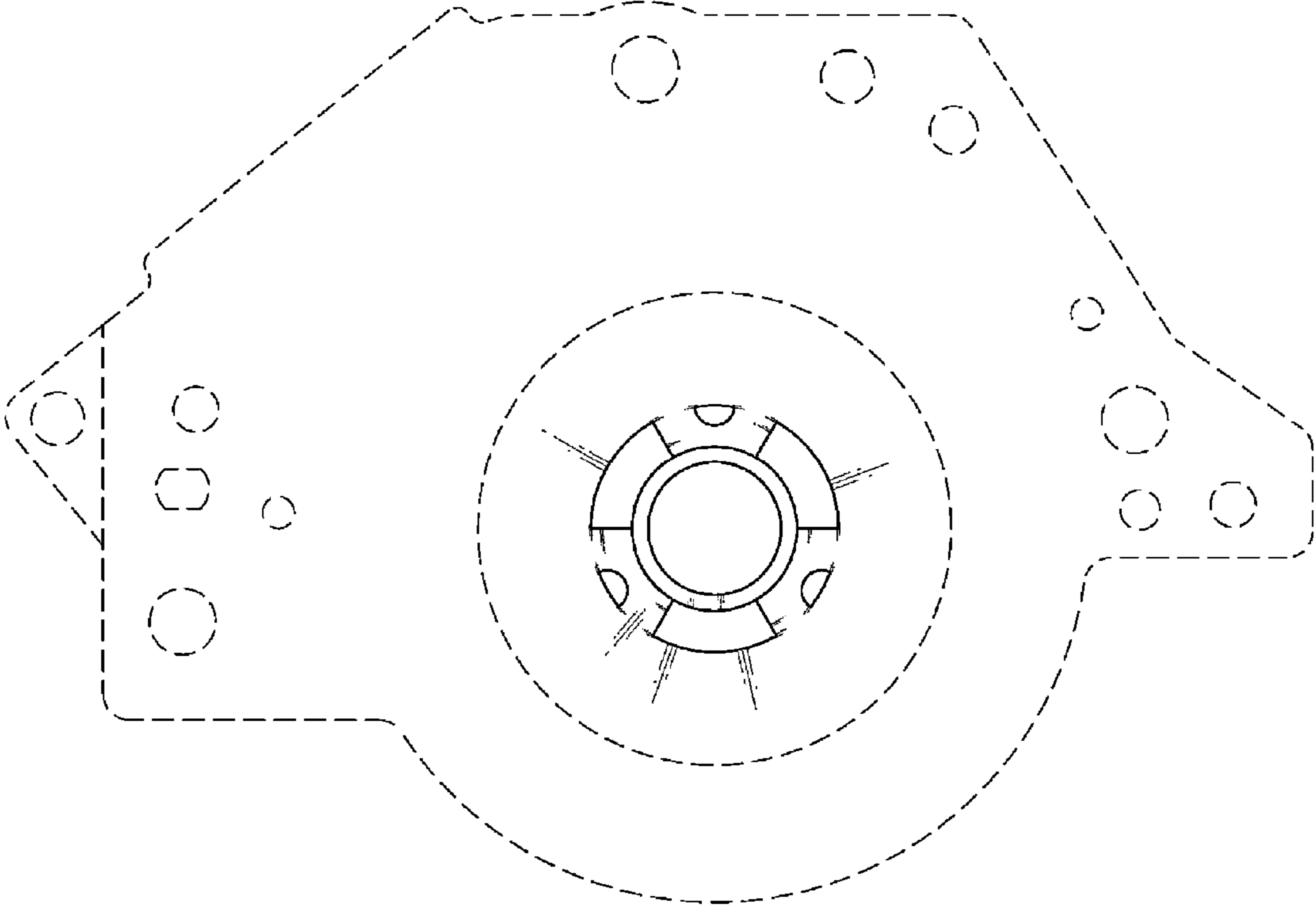


FIG. 7

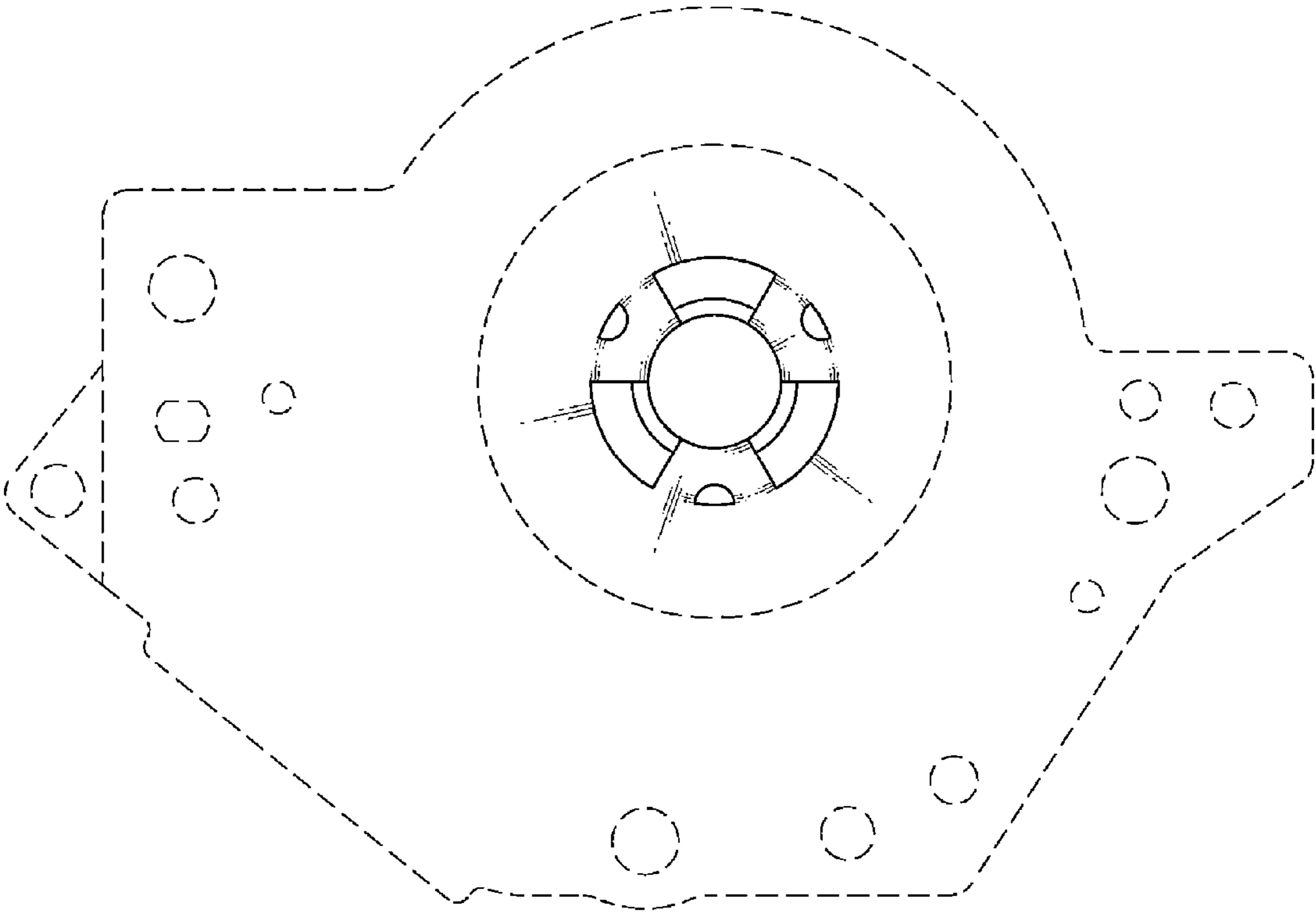


FIG. 8

