



US00D707249S

(12) **United States Design Patent**
Yamada

(10) **Patent No.:** **US D707,249 S**
(45) **Date of Patent:** **** Jun. 17, 2014**

(54) **PORTABLE DISPLAY DEVICE WITH AN ANIMATED GRAPHICAL USER INTERFACE**

(75) Inventor: **Yusuke Yamada**, Matsumoto (JP)

(73) Assignee: **Seiko Epson Corporation**, Tokyo (JP)

(**) Term: **14 Years**

(21) Appl. No.: **29/402,767**

(22) Filed: **Sep. 27, 2011**

(30) **Foreign Application Priority Data**

Apr. 22, 2011 (JP) 2011-009294

(51) **LOC (10) Cl.** **14-04**

(52) **U.S. Cl.**
USPC **D14/488**; D14/493

(58) **Field of Classification Search**
CPC G06F 3/0483
USPC D14/485-488, 493; 715/830
See application file for complete search history.

(56) **References Cited**

U.S. PATENT DOCUMENTS

5,621,874	A *	4/1997	Lucas et al.	715/205
5,898,434	A *	4/1999	Small et al.	715/810
6,054,989	A *	4/2000	Robertson et al.	715/848
6,544,123	B1 *	4/2003	Tanaka et al.	463/36
D535,661	S *	1/2007	Gusmorino et al.	D14/492
D554,144	S *	10/2007	Hally et al.	D14/487
D555,662	S *	11/2007	Nagata et al.	D14/487
D555,663	S *	11/2007	Nagata et al.	D14/488
D558,221	S *	12/2007	Nagata et al.	D14/488
7,386,806	B2 *	6/2008	Wroblewski	715/788
D598,466	S *	8/2009	Hirsch et al.	D14/485
D598,928	S *	8/2009	Hirsch et al.	D14/485
D611,486	S *	3/2010	Hirsch et al.	D14/485
D613,300	S *	4/2010	Chaudhri	D14/488

D615,989	S *	5/2010	Chaudhri	D14/488
D616,458	S *	5/2010	Pearson et al.	D14/488
D616,460	S *	5/2010	Pearson et al.	D14/488

(Continued)

Primary Examiner — Karen E Kearney

(74) *Attorney, Agent, or Firm* — Oliff PLC

(57) **CLAIM**

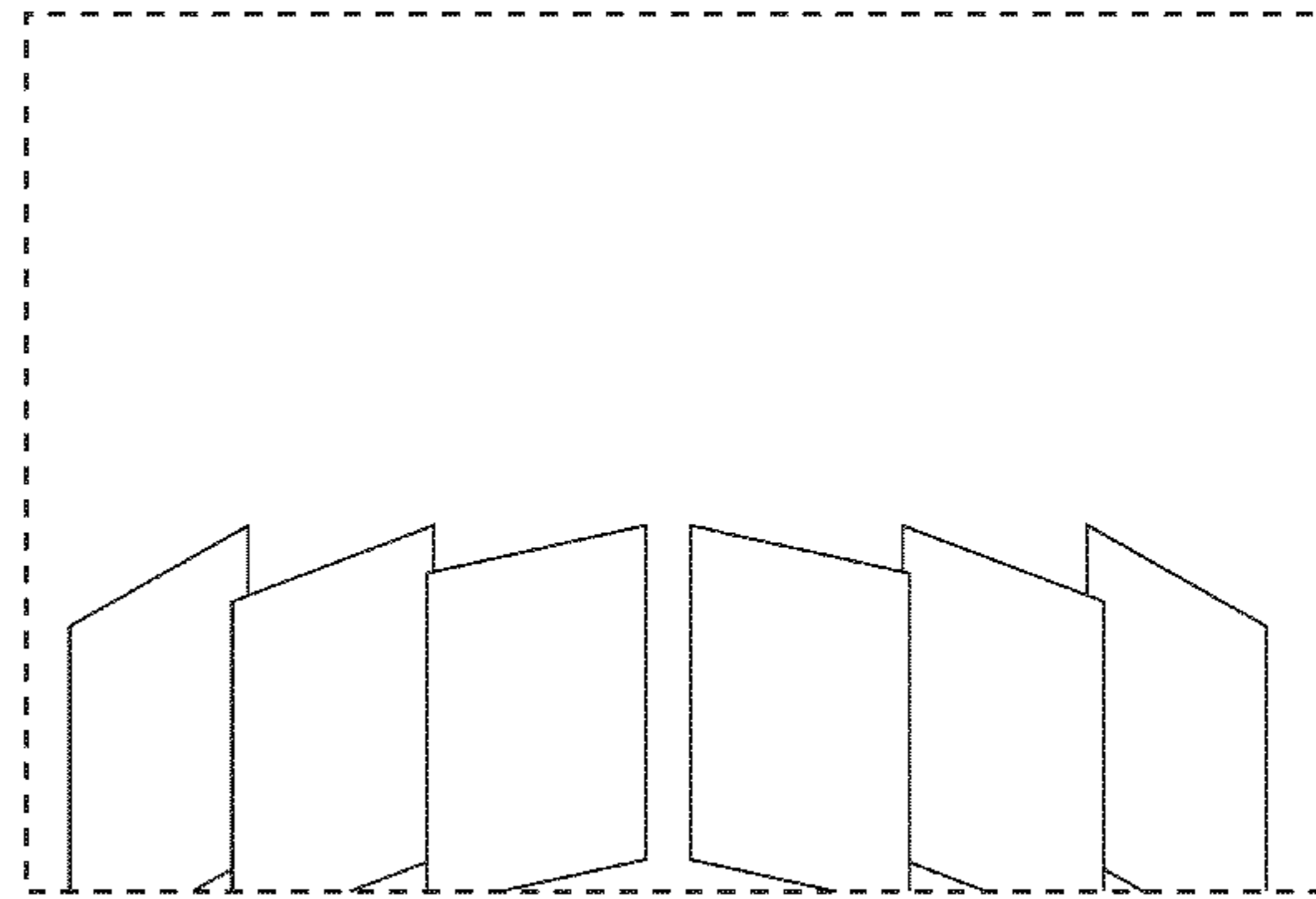
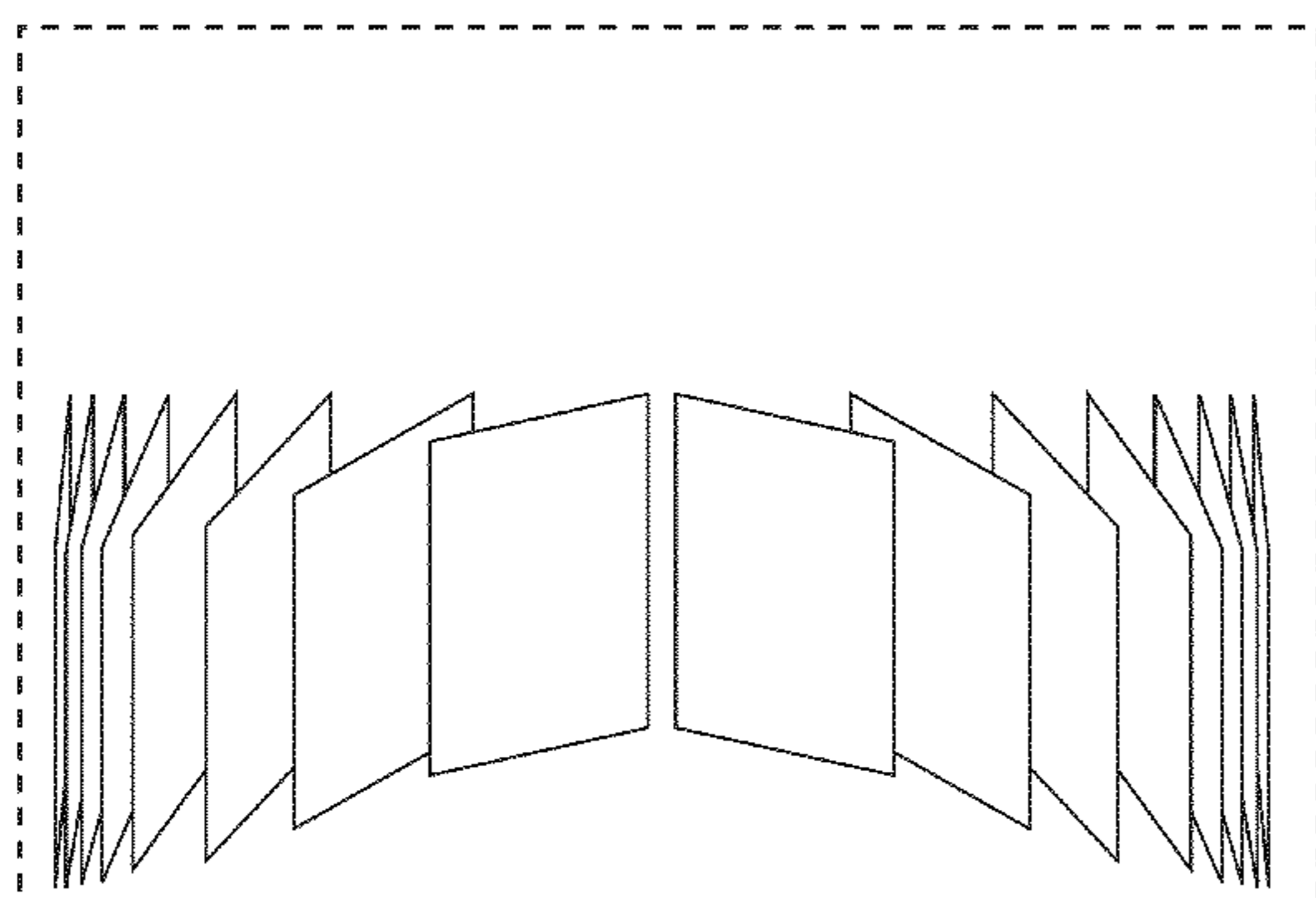
The ornamental design for a portable display device with an animated graphical user interface, as shown and described.

DESCRIPTION

FIG. 1 is a front view of the first image in a sequence for a portable display device with an animated graphical user interface showing my new design;
 FIG. 2 is a second image thereof;
 FIG. 3 is a third image thereof;
 FIG. 4 is a fourth image thereof;
 FIG. 5 is a fifth image thereof;
 FIG. 6 is sixth image thereof;
 FIG. 7 is a seventh image thereof;
 FIG. 8 is an eighth image thereof;
 FIG. 9 is a ninth image thereof;
 FIG. 10 is a tenth image thereof;
 FIG. 11 is an eleventh image thereof;
 FIG. 12 is a twelfth image thereof;
 FIG. 13 is a thirteenth image thereof;
 FIG. 14 is a fourteenth image thereof;
 FIG. 15 is a fifteenth image thereof;
 FIG. 16 is a sixteenth image thereof;
 FIG. 17 is a seventeenth image thereof;
 FIG. 18 is an eighteenth image thereof;
 FIG. 19 is a nineteenth image thereof;
 FIG. 20 is a twentieth image thereof;
 FIG. 21 is a twenty-first image thereof; and
 FIG. 22 is a twenty-second image thereof.

The process or period in which one image transitions to another image forms no part of the claimed design. The broken line showing of the portable display device is included for the purpose of illustrating environmental structure and forms no part of the claimed design.

1 Claim, 11 Drawing Sheets



(56)

References Cited

U.S. PATENT DOCUMENTS

D619,146 S *	7/2010	Flik et al.	D14/493	D663,311 S *	7/2012	David et al.	D14/487
D624,932 S *	10/2010	Chaudhri	D14/488	D663,312 S *	7/2012	David et al.	D14/487
D625,734 S *	10/2010	Kurozumi et al.	D14/488	D663,314 S *	7/2012	David et al.	D14/487
D628,582 S *	12/2010	Kurozumi et al.	D14/488	8,230,360 B2 *	7/2012	Ma et al.	715/810
D633,920 S *	3/2011	Luke et al.	D14/488	8,296,656 B2 *	10/2012	Dowdy et al.	715/727
D637,606 S *	5/2011	Luke et al.	D14/488	8,339,497 B2 *	12/2012	Iwase et al.	348/333.01
D638,027 S *	5/2011	Towbin et al.	D14/488	D688,704 S *	8/2013	Hajj	D14/492
D648,347 S *	11/2011	Chaudhri	D14/488	8,564,543 B2 *	10/2013	Chaudhri	345/173
D660,860 S *	5/2012	Louch et al.	D14/485	8,627,206 B2 *	1/2014	Ogikubo	715/719
D661,702 S *	6/2012	Asai et al.	D14/488	D698,813 S *	2/2014	Brown	D14/488
				2009/0002335 A1 *	1/2009	Chaudhri	345/173
				2013/0305150 A1 *	11/2013	Budavari	715/277

* cited by examiner

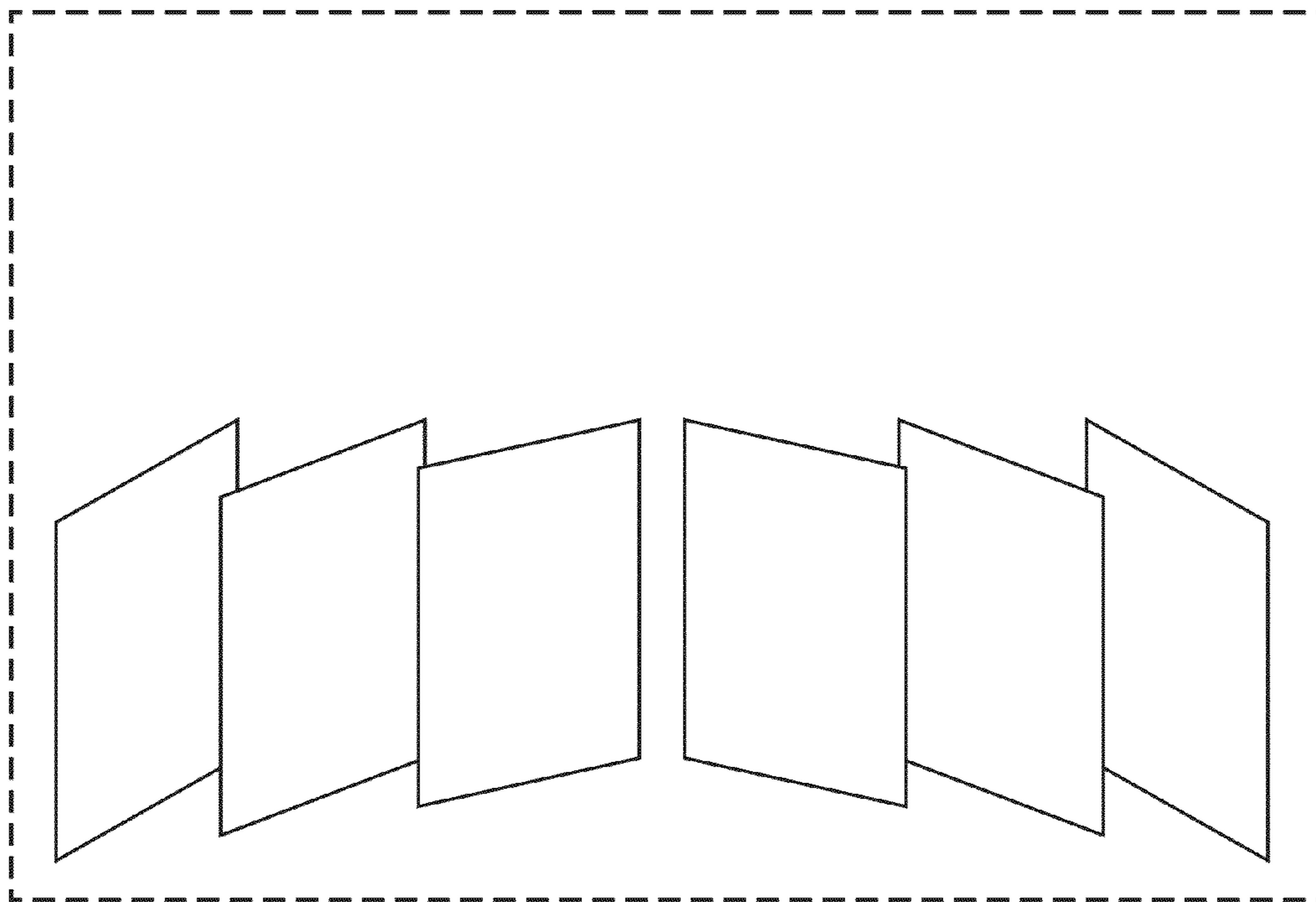


FIG. 1

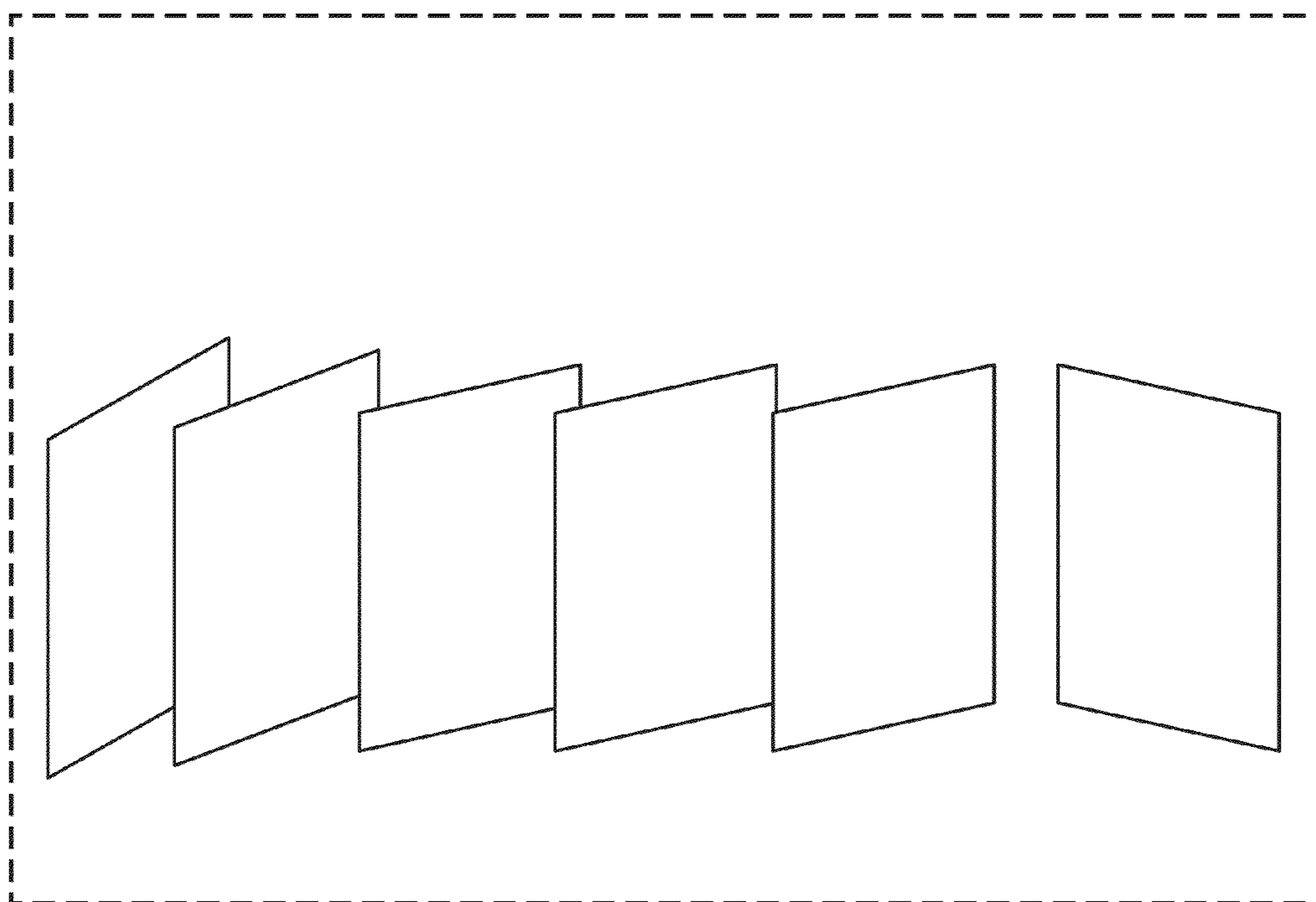


FIG. 2

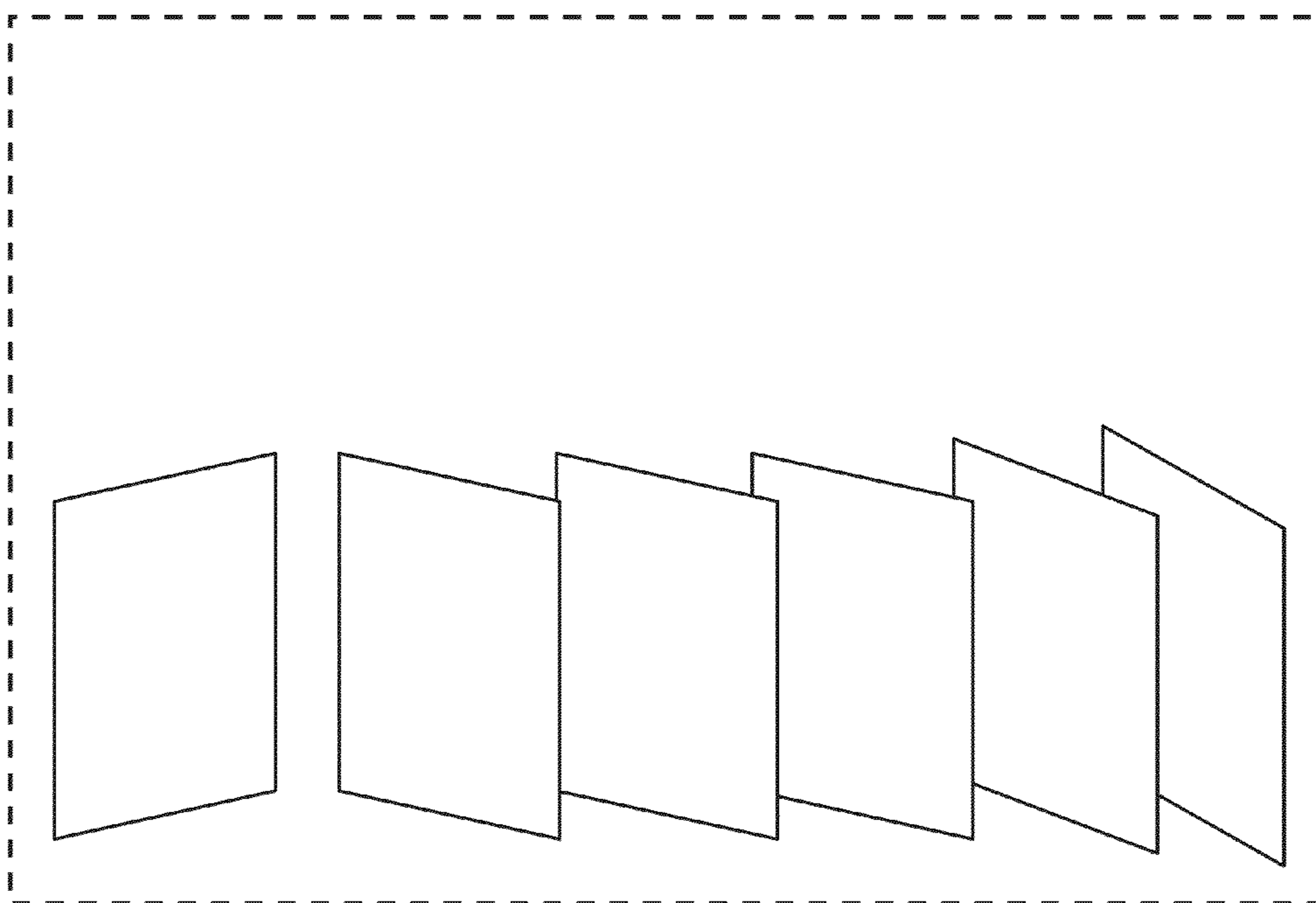


FIG. 3

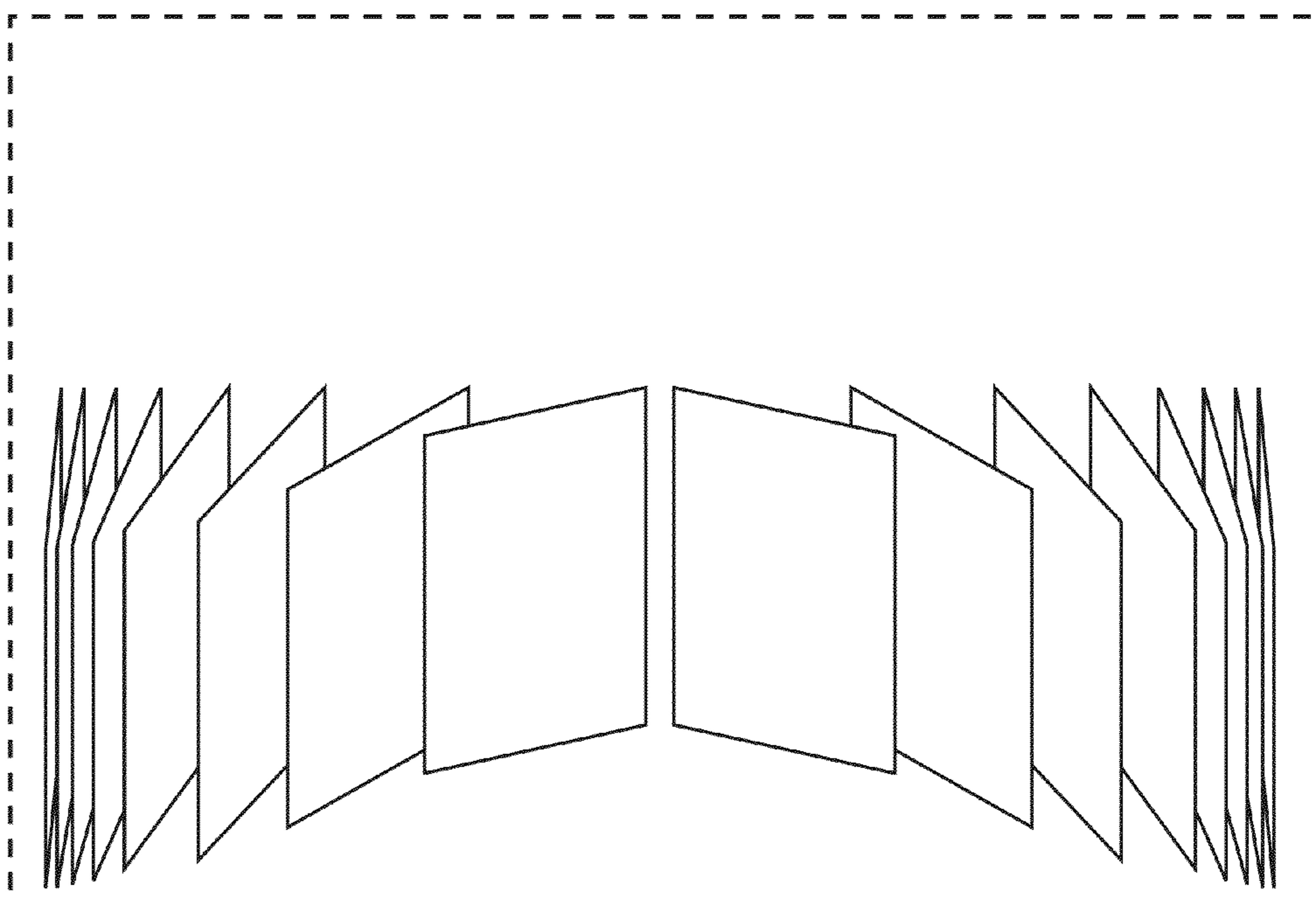


FIG. 4

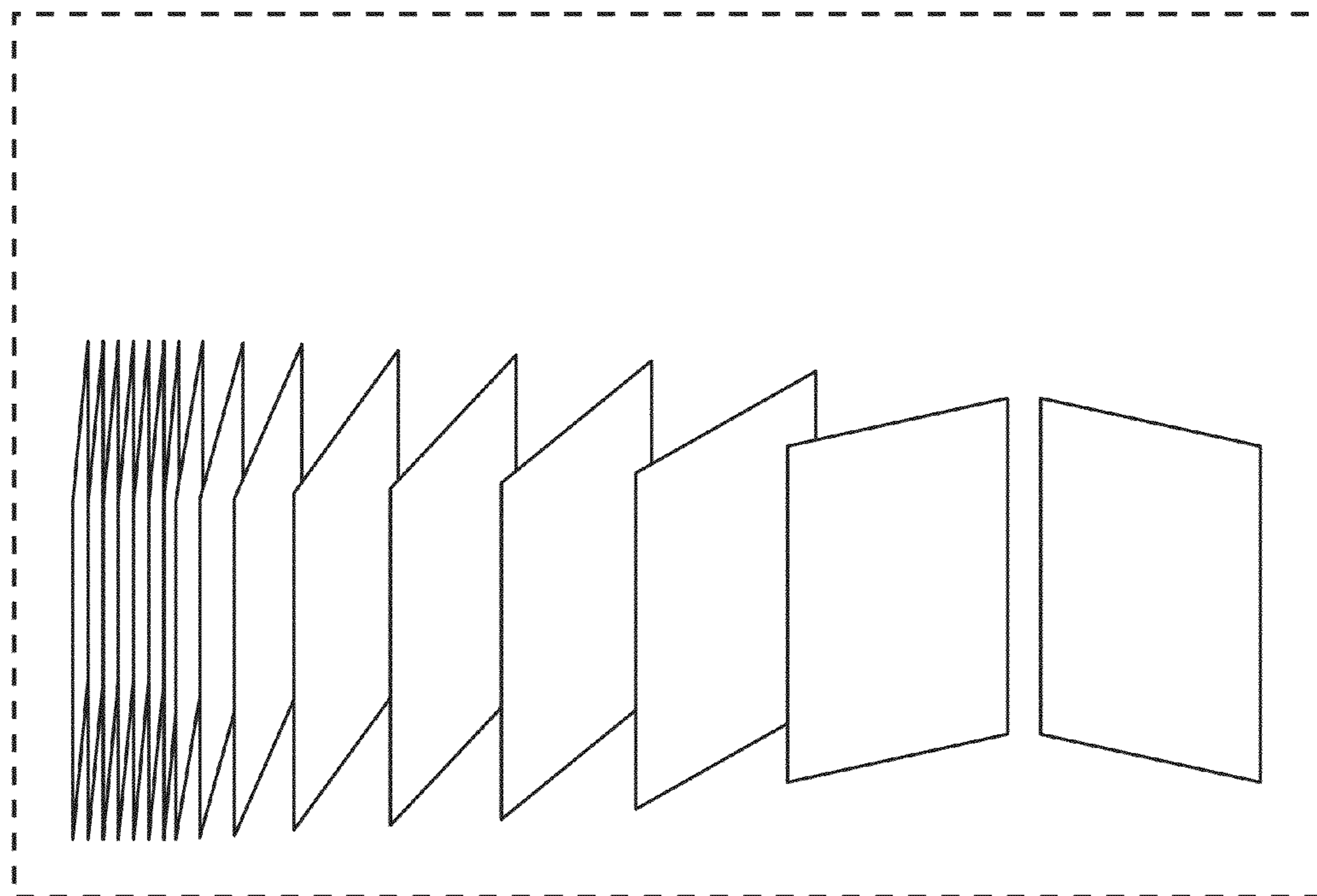


FIG. 5

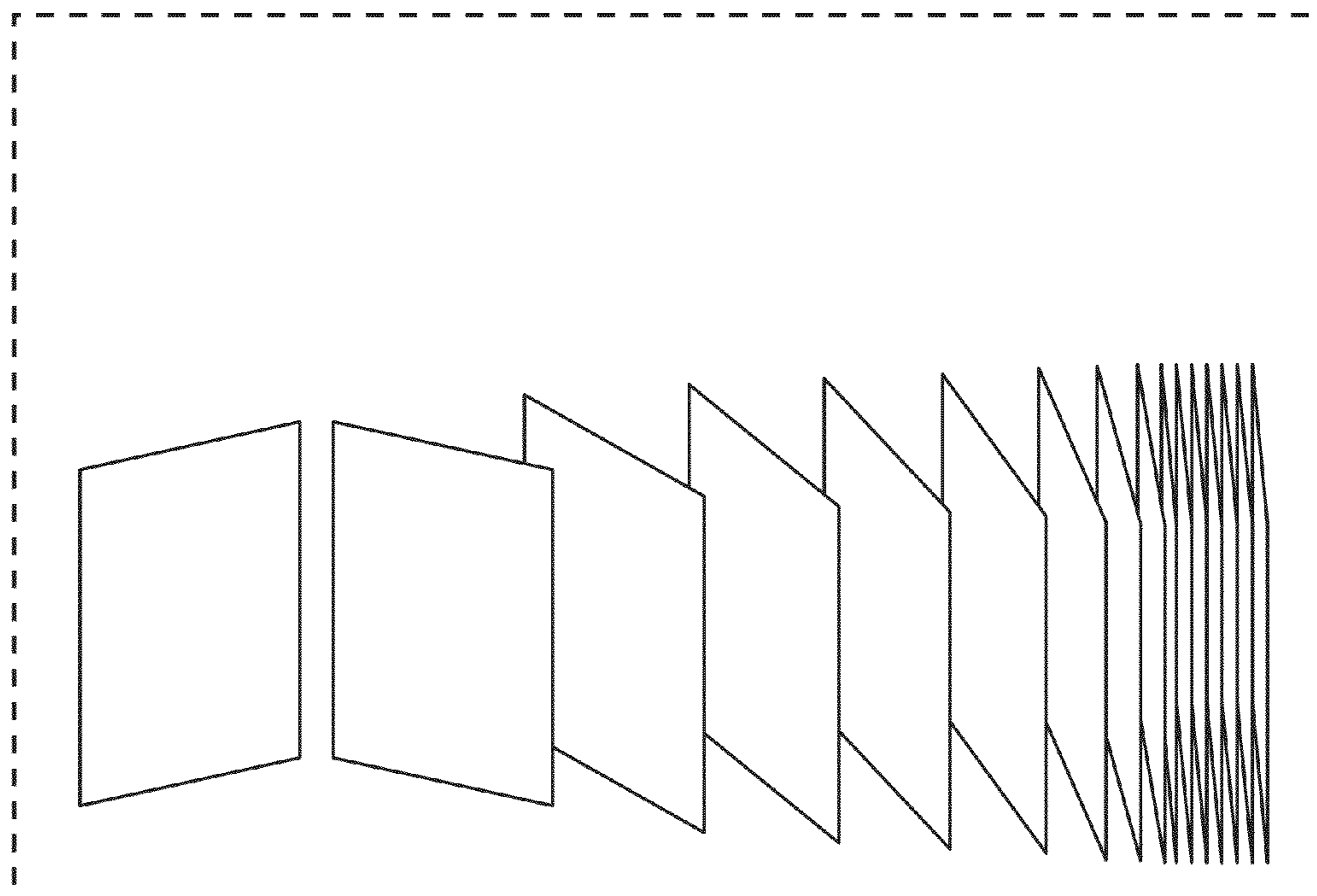


FIG. 6

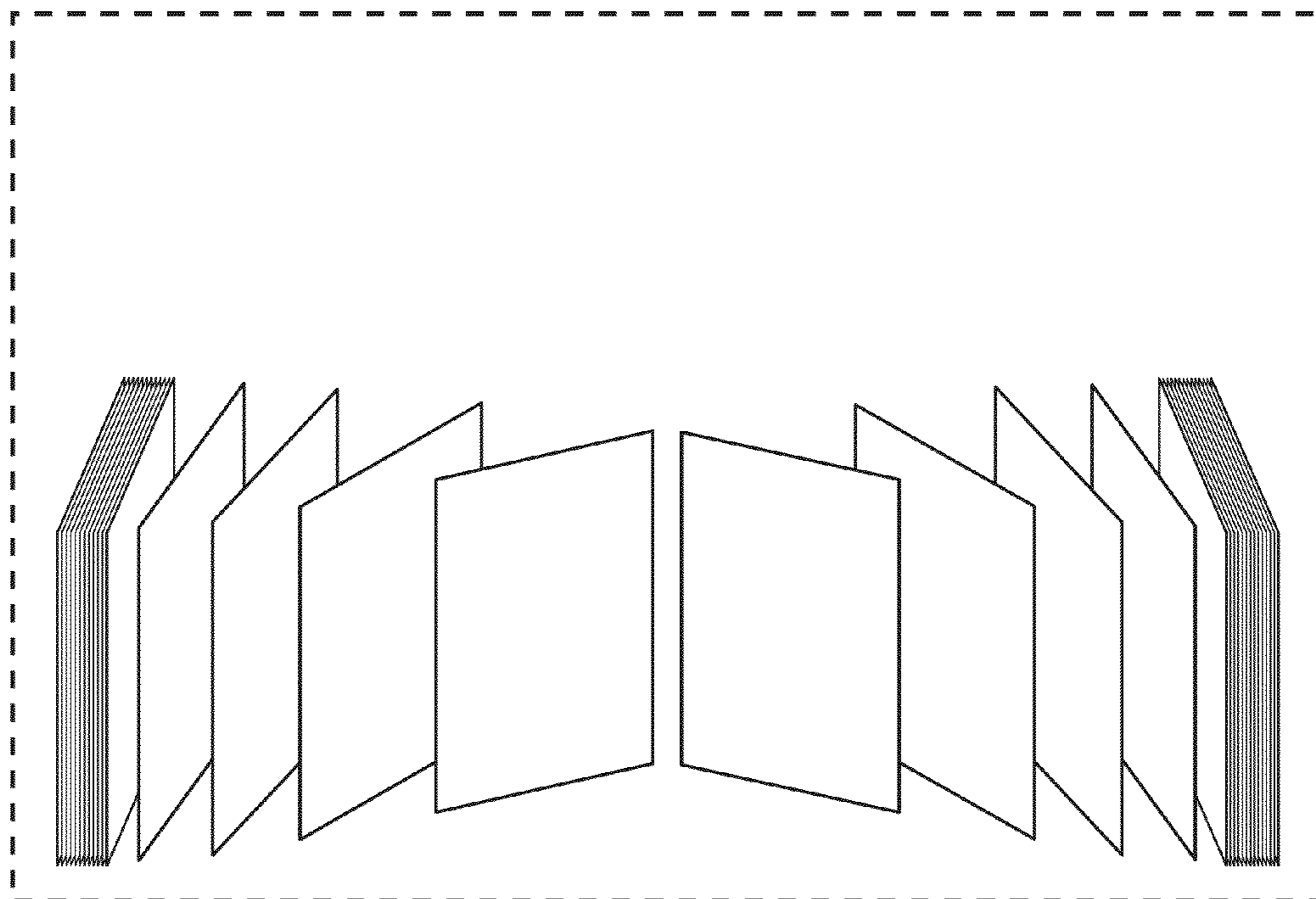


FIG. 7

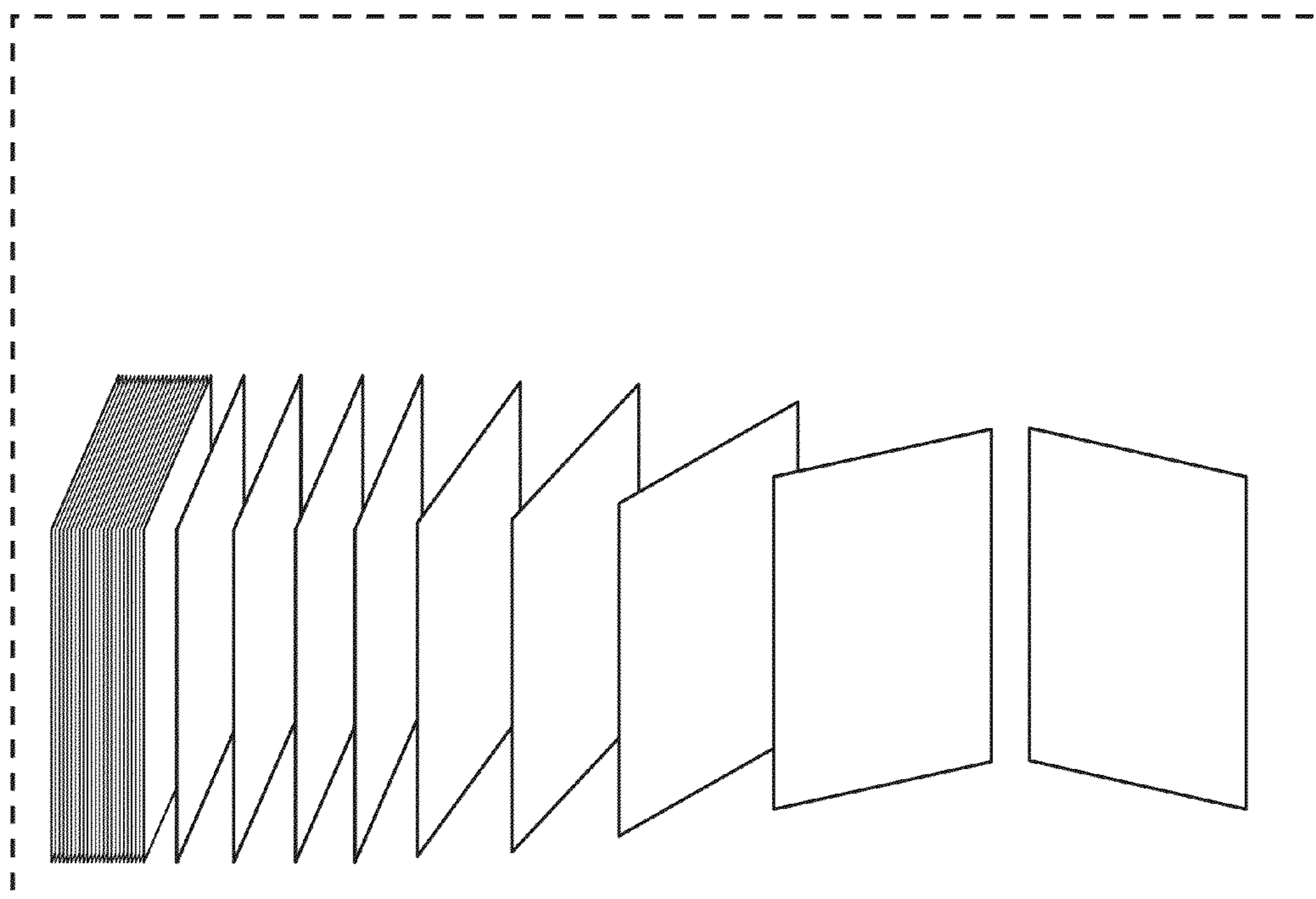


FIG. 8

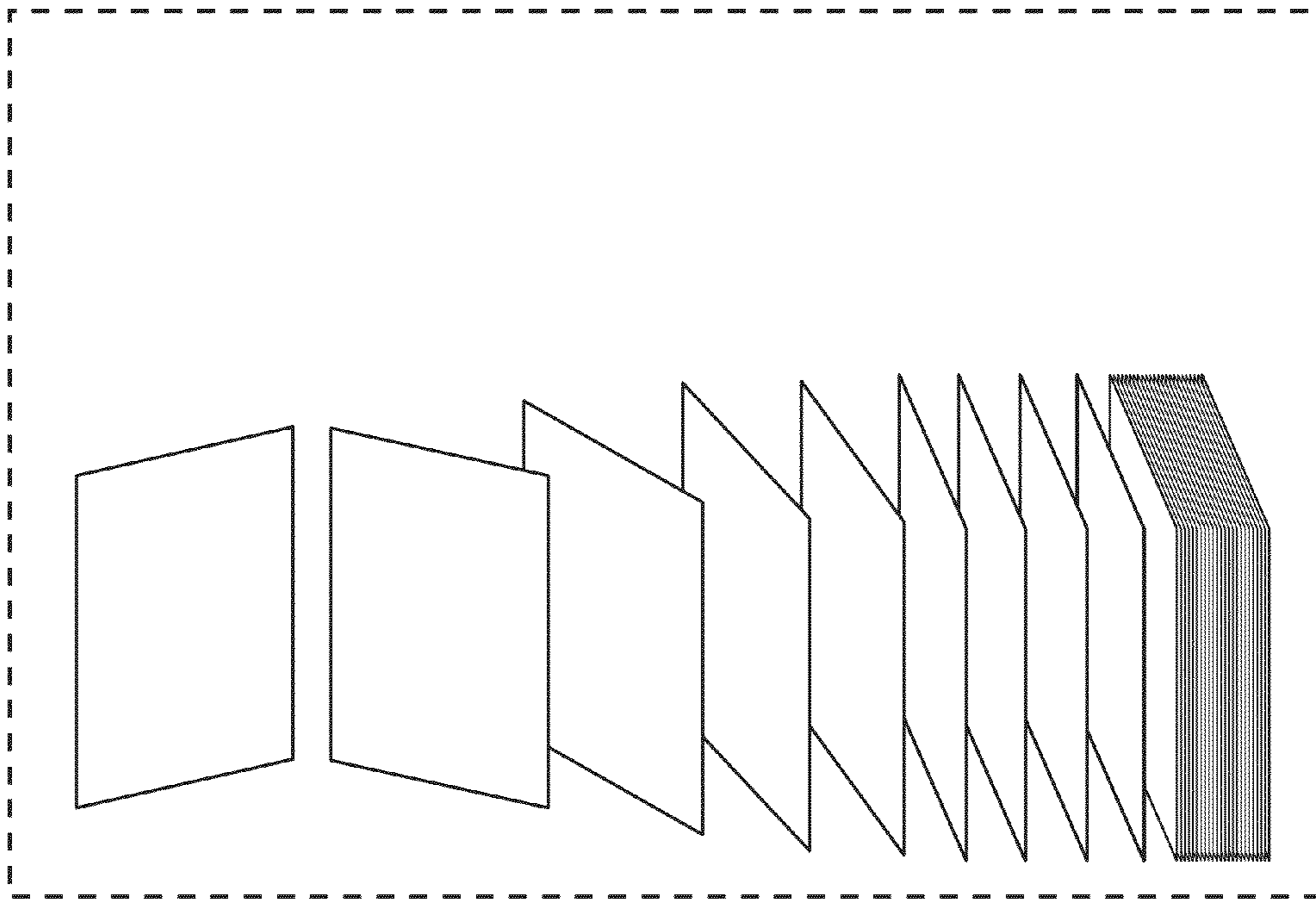


FIG. 9

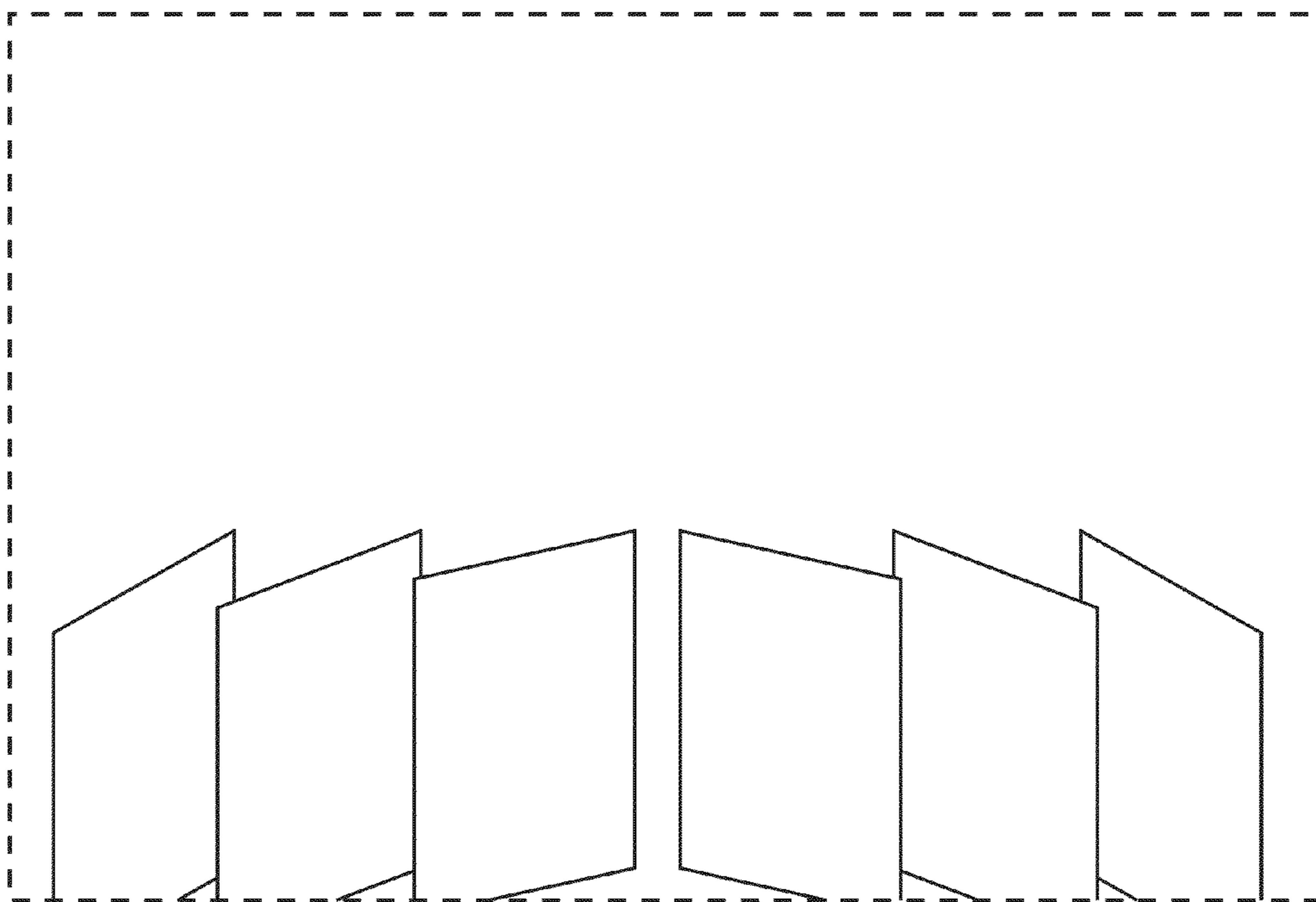


FIG. 10

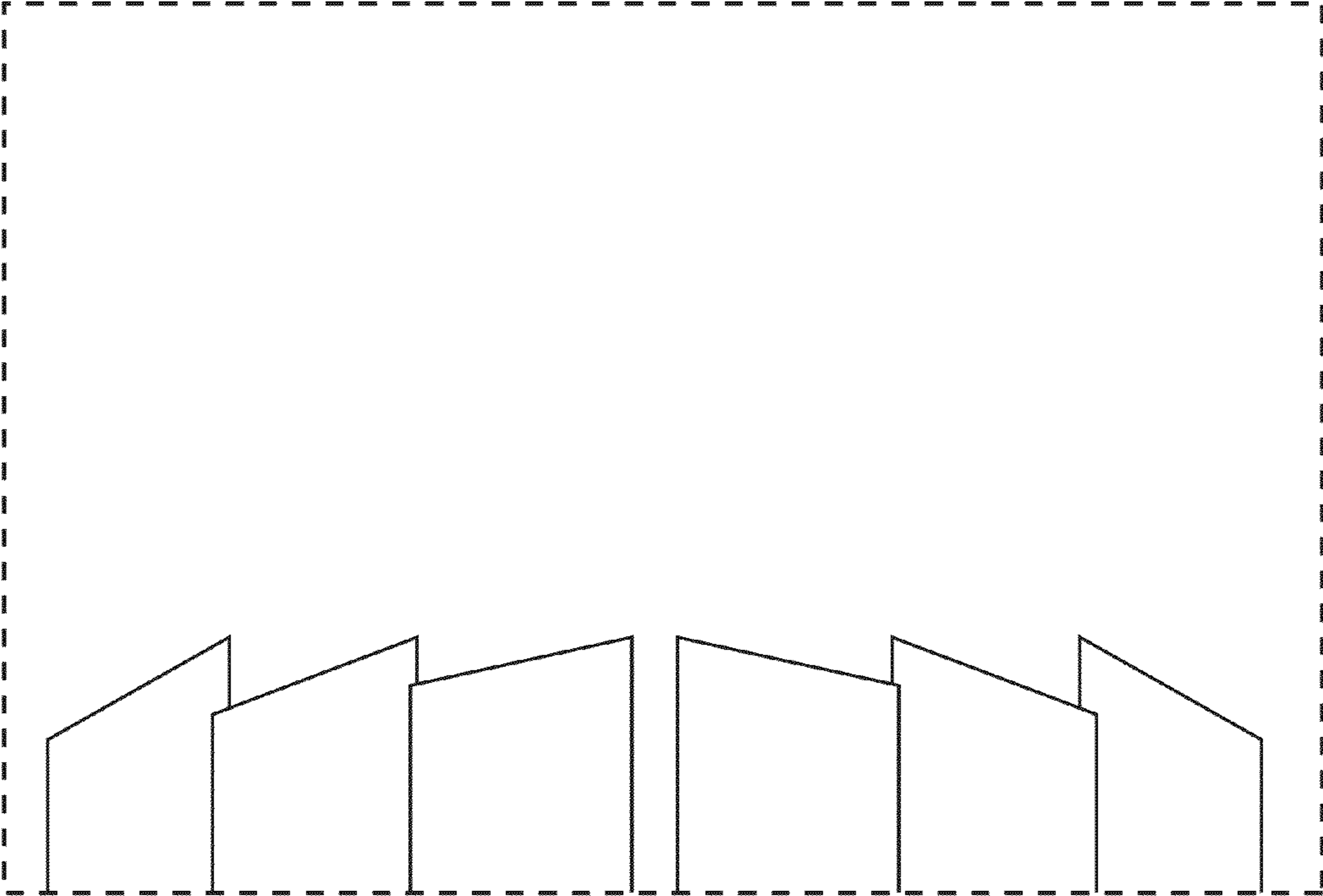


FIG. 11

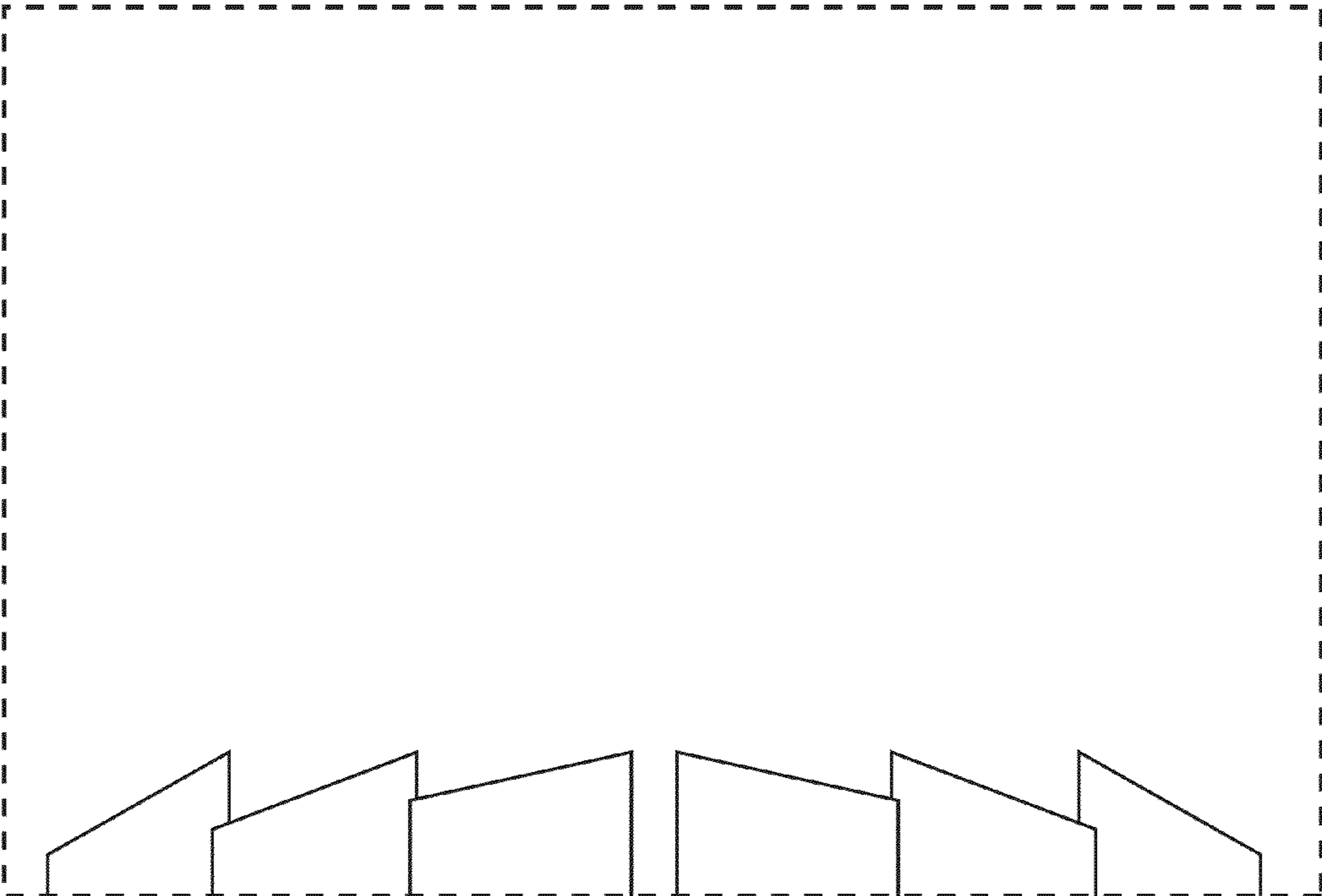


FIG. 12

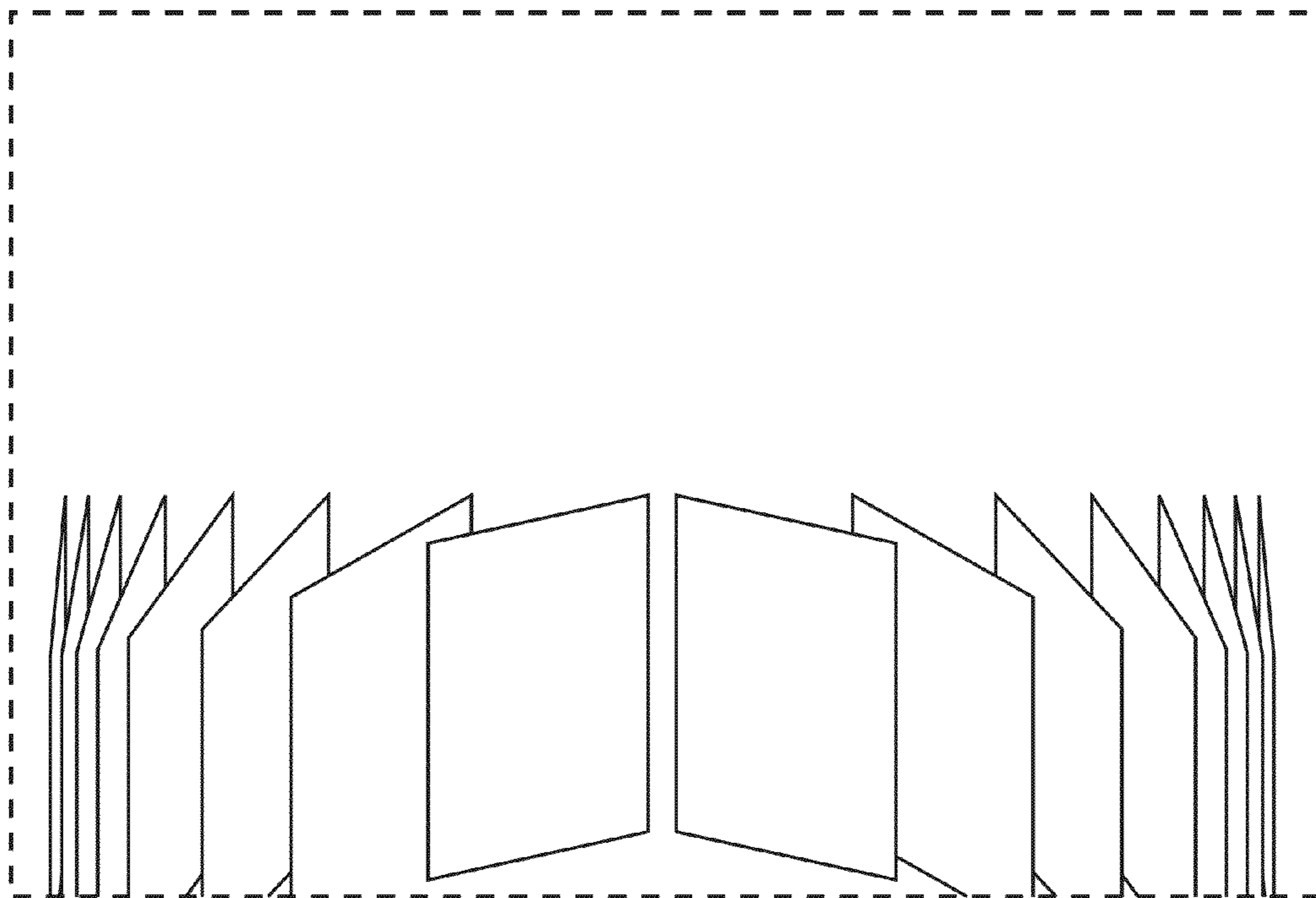


FIG. 13

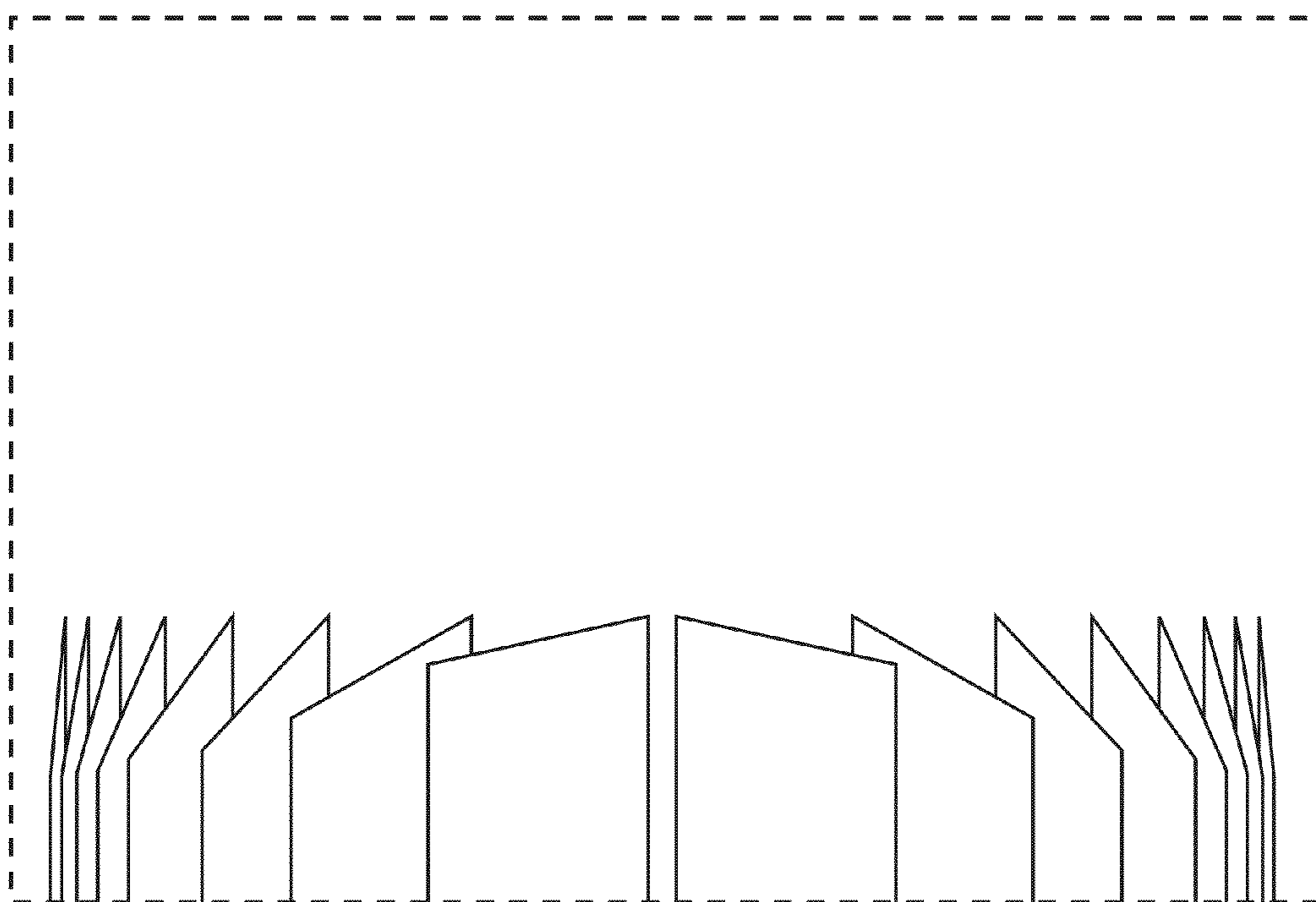


FIG. 14

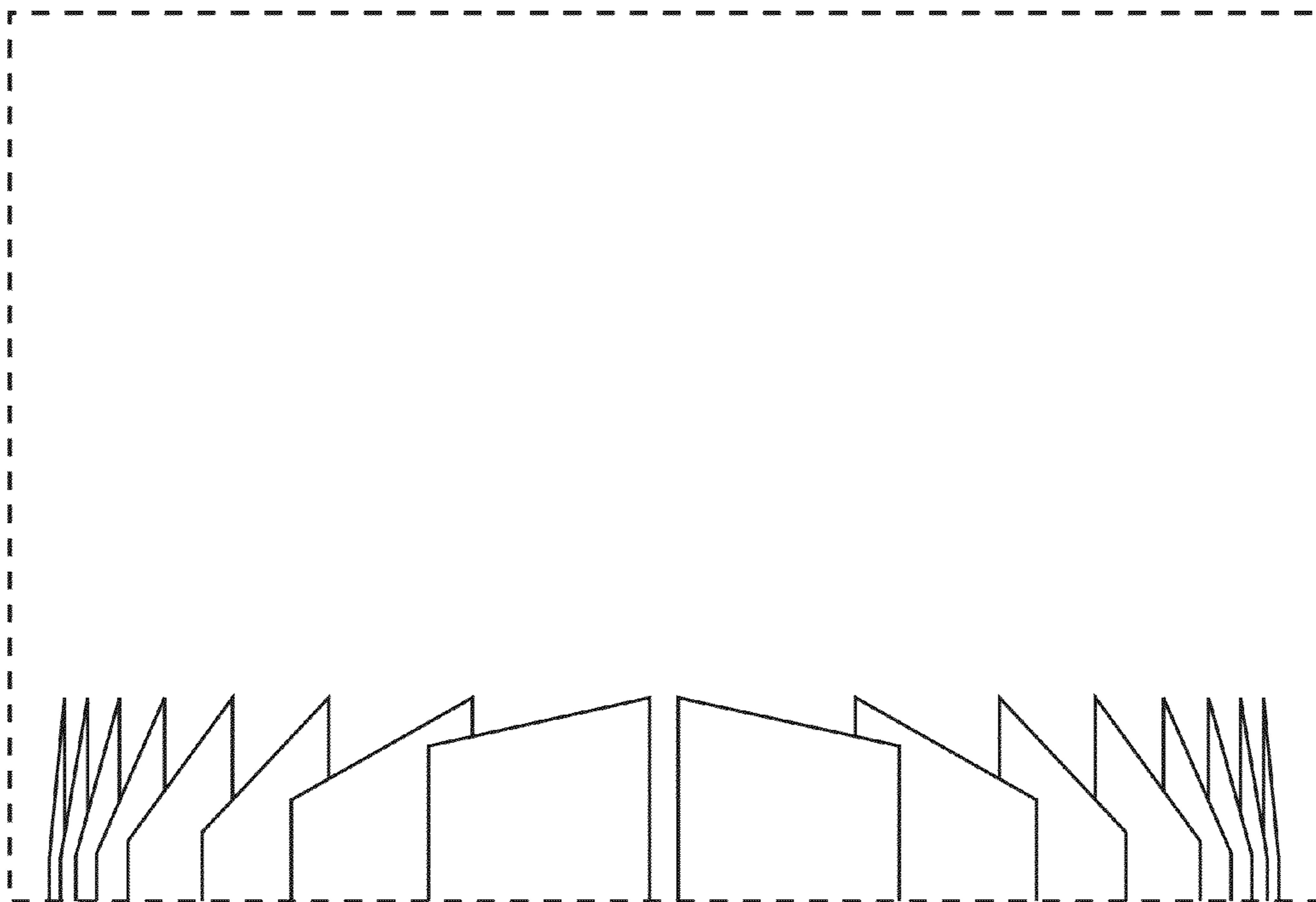


FIG. 15

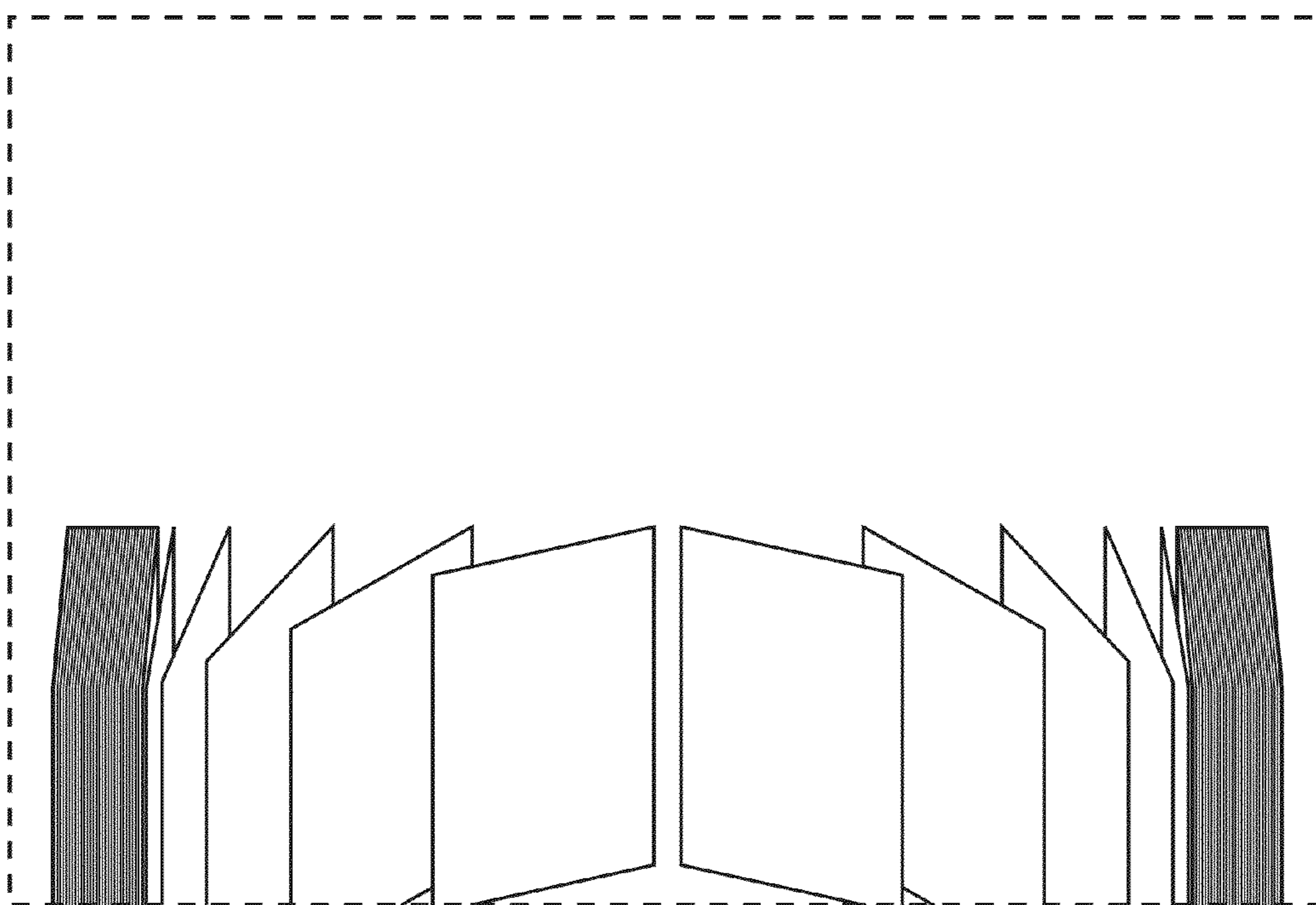


FIG. 16

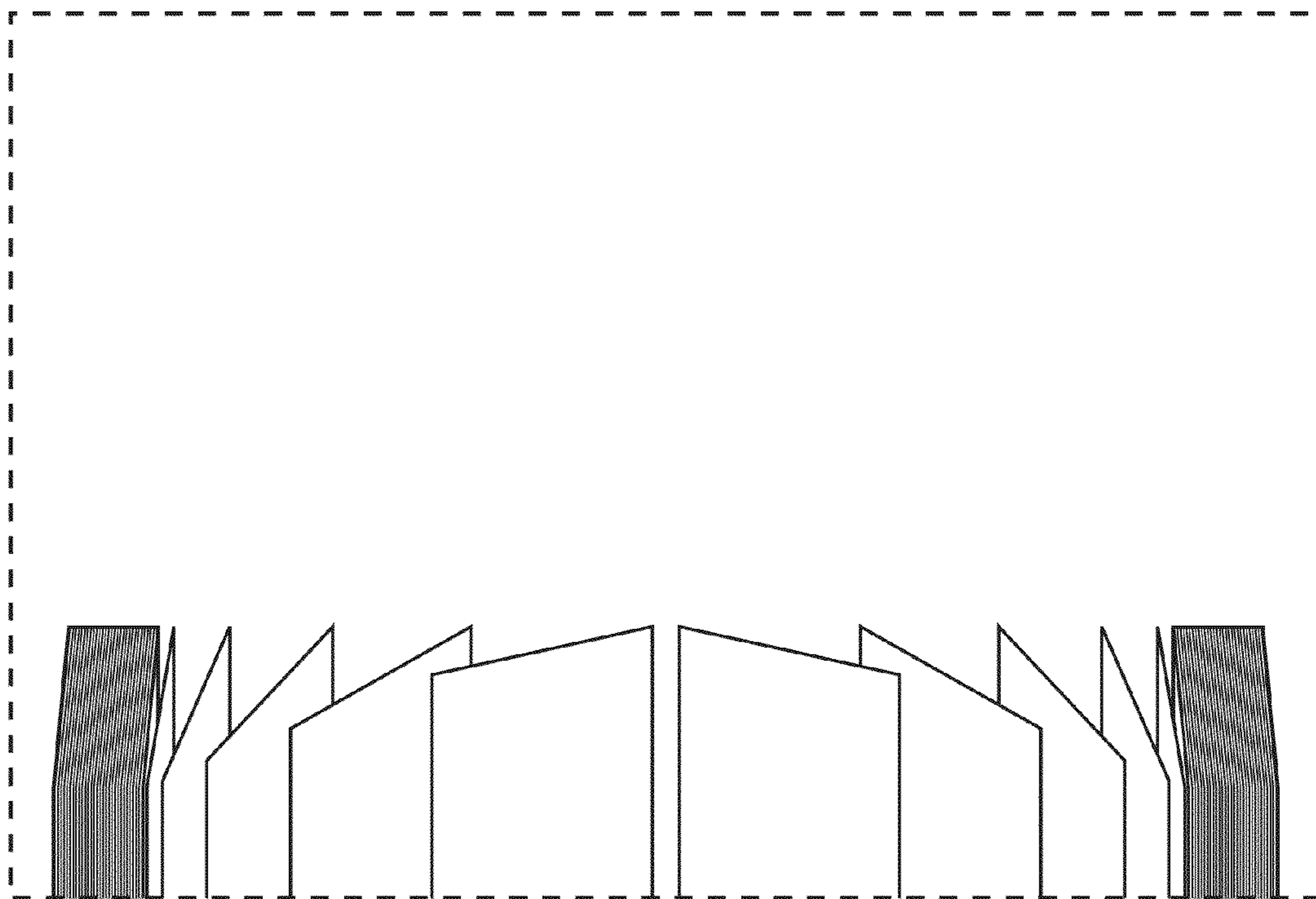


FIG. 17

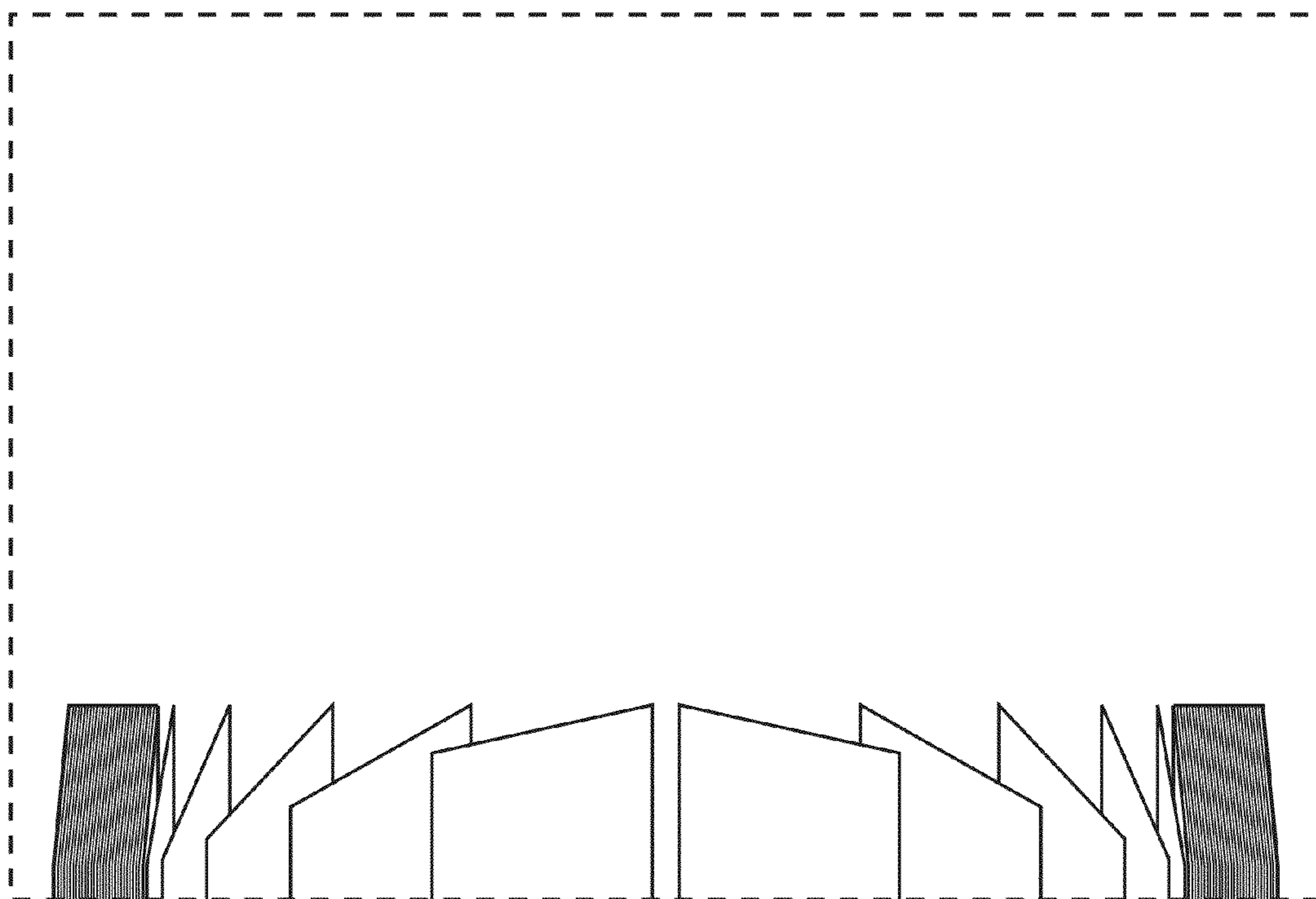


FIG. 18

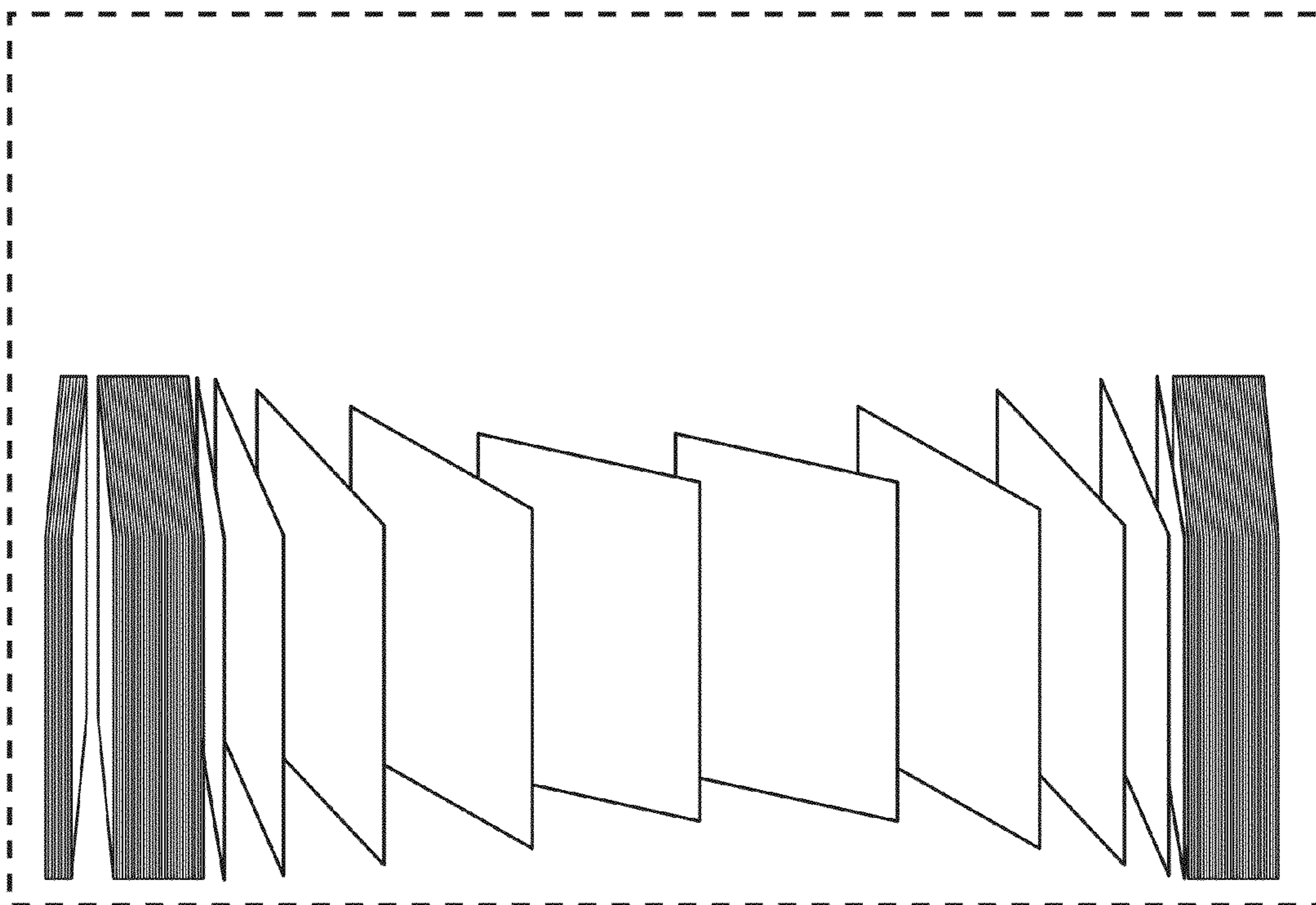


FIG. 19

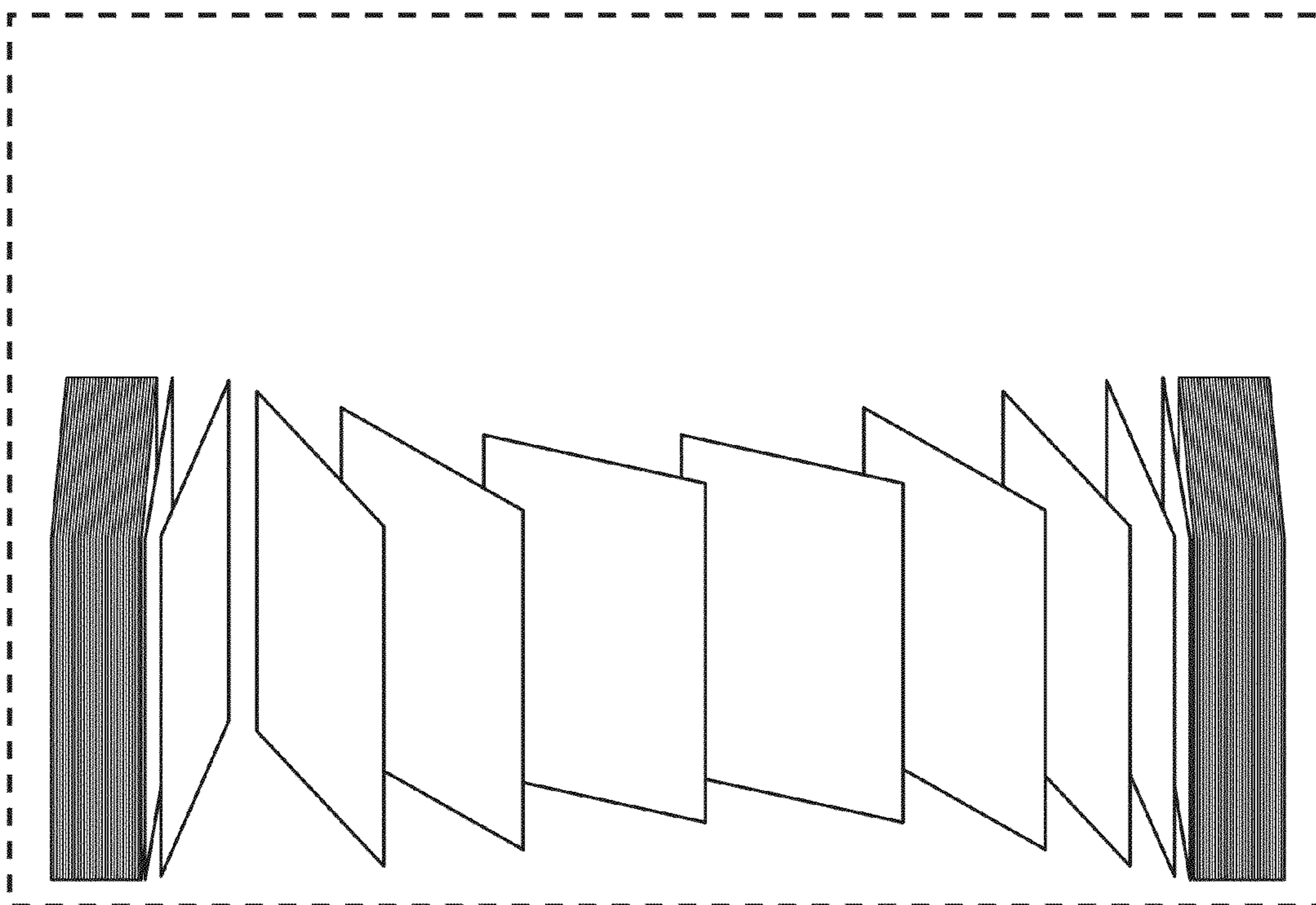


FIG. 20

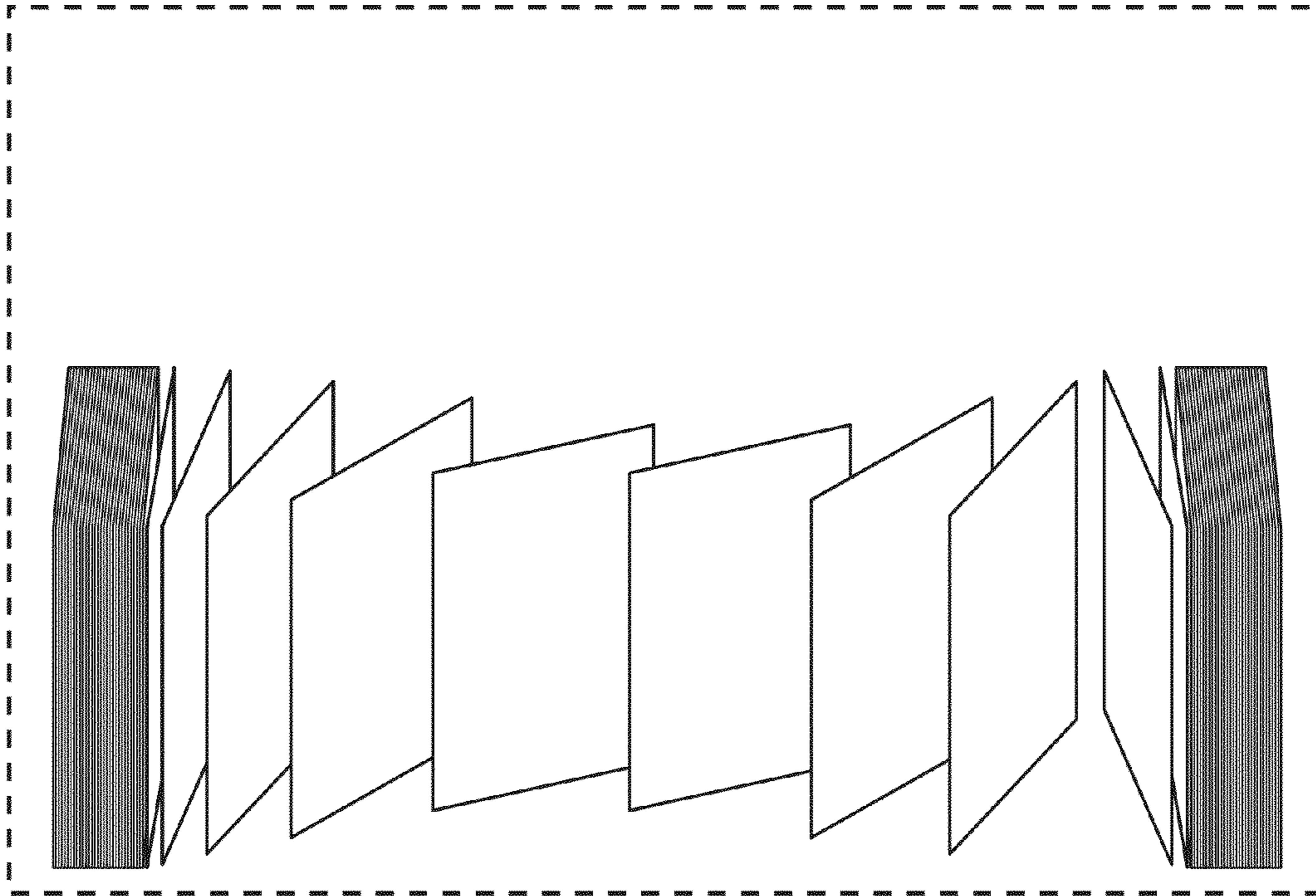


FIG. 21

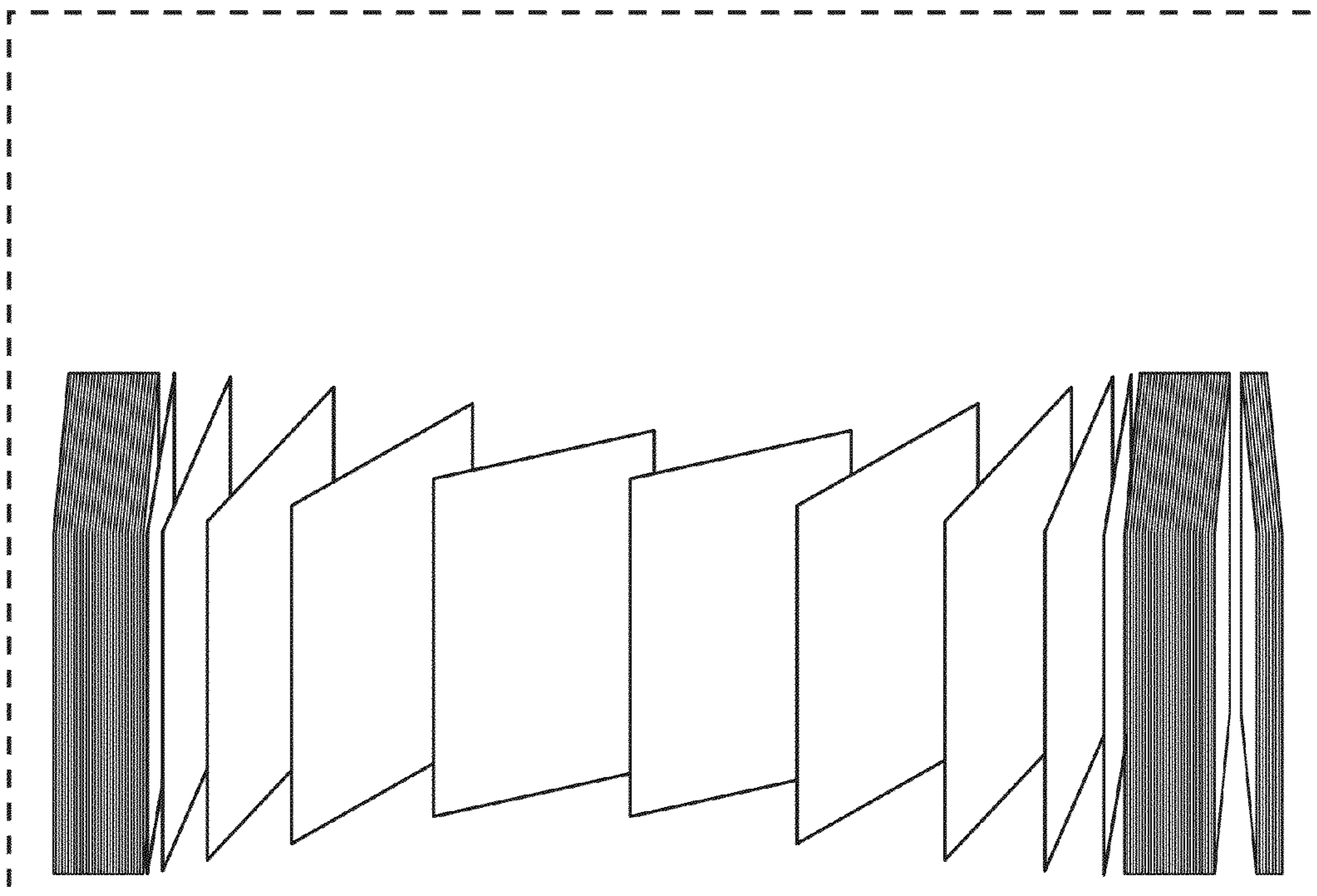


FIG. 22