



US00D707243S

(12) **United States Design Patent**  
**Edwards et al.**

(10) **Patent No.:** **US D707,243 S**  
(45) **Date of Patent:** **\*\* Jun. 17, 2014**

(54) **DISPLAY SCREEN WITH GRAPHICAL USER INTERFACE**

(75) Inventors: **Christopher D. Edwards**, Seattle, WA (US); **Keri Talbot**, Seattle, WA (US); **Jason F. Morrill**, Seattle, WA (US)

(73) Assignee: **Microsoft Corporation**, Redmond, WA (US)

(\*\*) Term: **14 Years**

(21) Appl. No.: **29/424,842**

(22) Filed: **Jun. 15, 2012**

(51) **LOC (10) Cl.** ..... **14-04**

(52) **U.S. Cl.**  
USPC ..... **D14/486**

(58) **Field of Classification Search**  
CPC . G06F 3/048; G06F 3/04817; H04L 29/0809; H04N 5/44543; H04N 21/482; H04N 21/4532  
USPC ..... D14/485, 486, 487, 488, 489, 490, 491, D14/492, 493, 494, 495; D18/24, 25, 26, D18/27, 28, 29, 30, 31, 32, 33; D19/6, 40, D19/52; D20/11, 12, 23, 24, 25, 29, 30, 31, D20/32, 36, 37, 38; 345/636; 715/201, 703, 715/715, 716, 760, 762, 764, 771, 772, 781, 715/804, 808, 809, 810, 825, 833, 834, 837, 715/840, 846, 854, 961, 963, 966, 967, 968, 715/974, 973, 975, 976, 977

See application file for complete search history.

(56) **References Cited**

**U.S. PATENT DOCUMENTS**

D298,144 S \* 10/1988 Wells-Papanek et al. ... D14/489  
D395,291 S 6/1998 Mason et al.  
6,002,399 A 12/1999 Haine et al.  
D450,059 S \* 11/2001 Itou ..... D14/489  
6,425,120 B1 \* 7/2002 Morganelli et al. .... 717/109

D472,902 S 4/2003 Nashida et al.  
D473,566 S 4/2003 Platz et al.  
D484,142 S 12/2003 Bungert  
D497,168 S \* 10/2004 Hsu ..... D14/486  
D499,740 S \* 12/2004 Ombao et al. .... D14/487  
D501,484 S 2/2005 Platz et al.  
D531,185 S \* 10/2006 Cummins ..... D14/485

(Continued)

**OTHER PUBLICATIONS**

Screenshot from Microsoft Visio. Seven pages of full-color photographs. Published by Microsoft Corporation of Redmond, WA. Author is Microsoft Corporation of Redmond, WA. Place of Publication is the Headquarters of Microsoft Corporation, Redmond, WA. Print date: Jun. 7, 2013. Date released unknown, but prior to the filing of the present application.

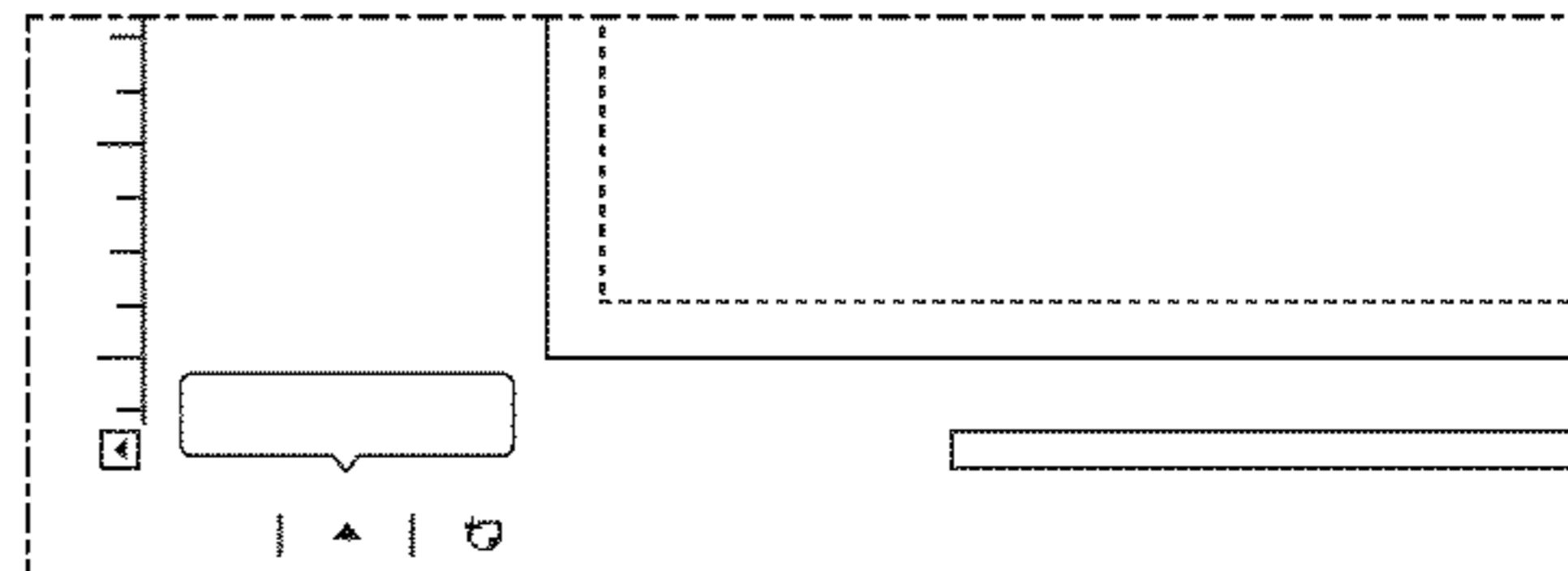
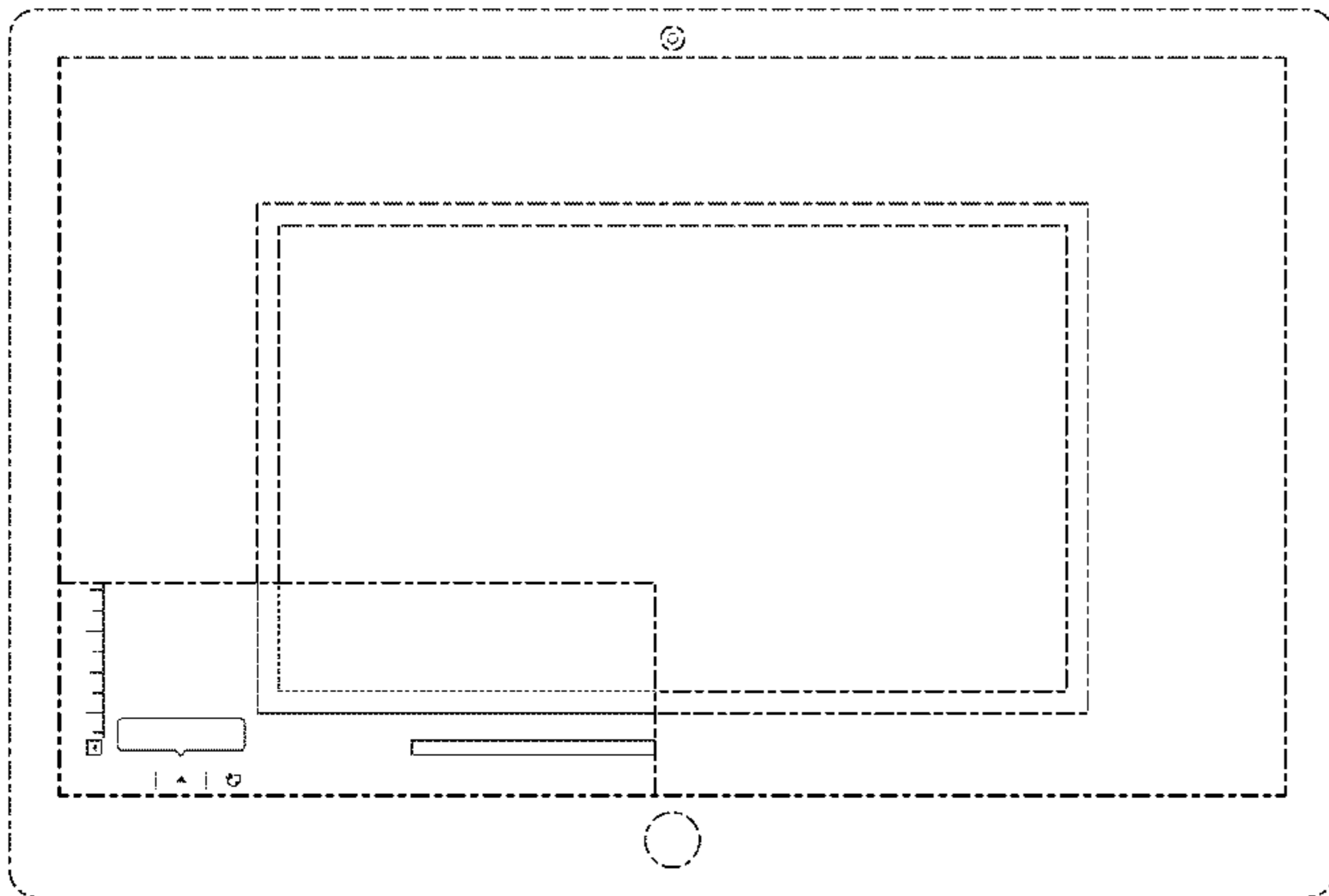
*Primary Examiner* — Karen E Eldridge Powers  
(74) *Attorney, Agent, or Firm* — Banner & Witcoff, Ltd.

(57) **CLAIM**  
The ornamental design for a display screen with graphical user interface, as shown and described.

**DESCRIPTION**

FIG. 1 is a front view of a display screen with graphical user interface showing our new design; and FIG. 2 is a front view of a display screen with graphical user interface of FIG. 1 with a region for enlargement indicated by broken-line indicia; and, FIG. 3 is an enlarged view of the region indicated by the broken-line indicia in FIG. 2. The “FIG. 3” indicia shown in FIG. 2, as well as the circle both identifying and displaying the enlarged region of the graphical user interface form no part of the claimed design. The broken line showing of the remainder of the graphical user interface and display screen is for environmental purposes only and forms no part of the claimed design.

**1 Claim, 3 Drawing Sheets**



(56)

References Cited

U.S. PATENT DOCUMENTS

D548,240 S *	8/2007	Viegers .....	D14/487	D667,842 S	9/2012	Ouilhet	
D548,241 S *	8/2007	Viegers .....	D14/487	8,316,313 B2 *	11/2012	Campney et al. ....	715/771
D580,448 S	11/2008	Jasinski		D677,674 S	3/2013	Rampson et al.	
7,516,406 B1 *	4/2009	Cameron .....	715/710	D677,675 S	3/2013	Rampson et al.	
D592,223 S	5/2009	Neuhaus		D681,656 S	5/2013	Lawrence et al.	
D593,107 S	5/2009	Shimoda et al.		D683,738 S	6/2013	Wujcik et al.	
7,788,593 B1 *	8/2010	Grechishkin et al. ....	715/778	D684,190 S	6/2013	Ridl et al.	
D625,323 S *	10/2010	Matsushima et al. ....	D14/487	D687,457 S	8/2013	Edwards et al.	
D643,044 S *	8/2011	Ording .....	D14/486	D687,855 S	8/2013	Hudson et al.	
8,185,219 B2 *	5/2012	Gilbert et al. ....	700/83	D688,683 S	8/2013	Edwards et al.	
D665,410 S	8/2012	Gupta et al.		8,510,677 B2 *	8/2013	van Os .....	715/835
8,238,666 B2	8/2012	Besley et al.		D689,074 S *	9/2013	Talbot et al. ....	D14/486
8,253,747 B2	8/2012	Niles et al.		8,645,829 B1 *	2/2014	Cameron .....	715/710
8,255,830 B2 *	8/2012	Ording et al. ....	715/810	2004/0036711 A1	2/2004	Anderson	
D667,432 S	9/2012	Phelan		2006/0263098 A1	11/2006	Akiyama et al.	
				2011/0055744 A1 *	3/2011	Ryan et al. ....	715/769
				2013/0283200 A1 *	10/2013	Steelberg et al. ....	715/781

\* cited by examiner

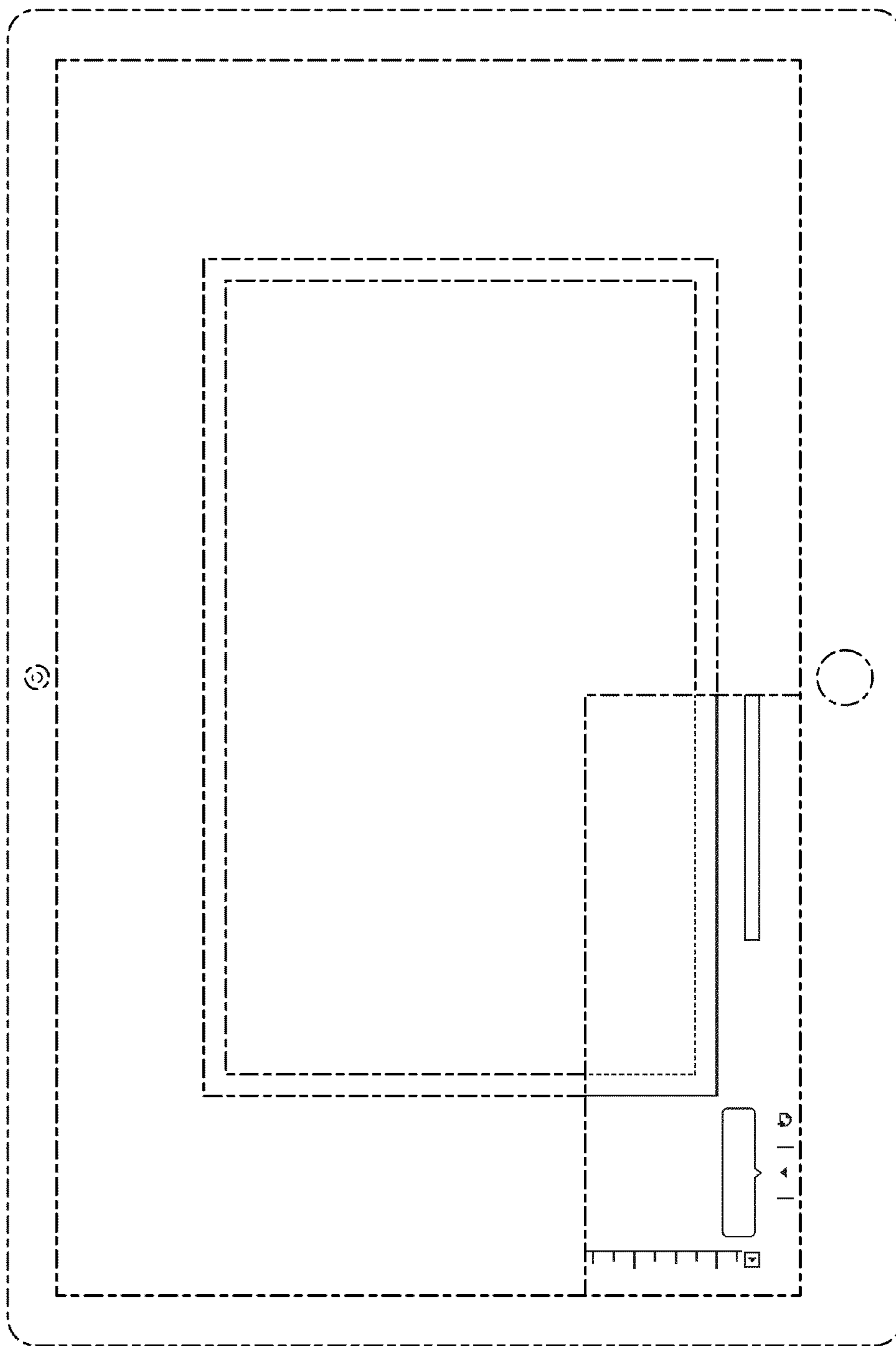


FIG. 1

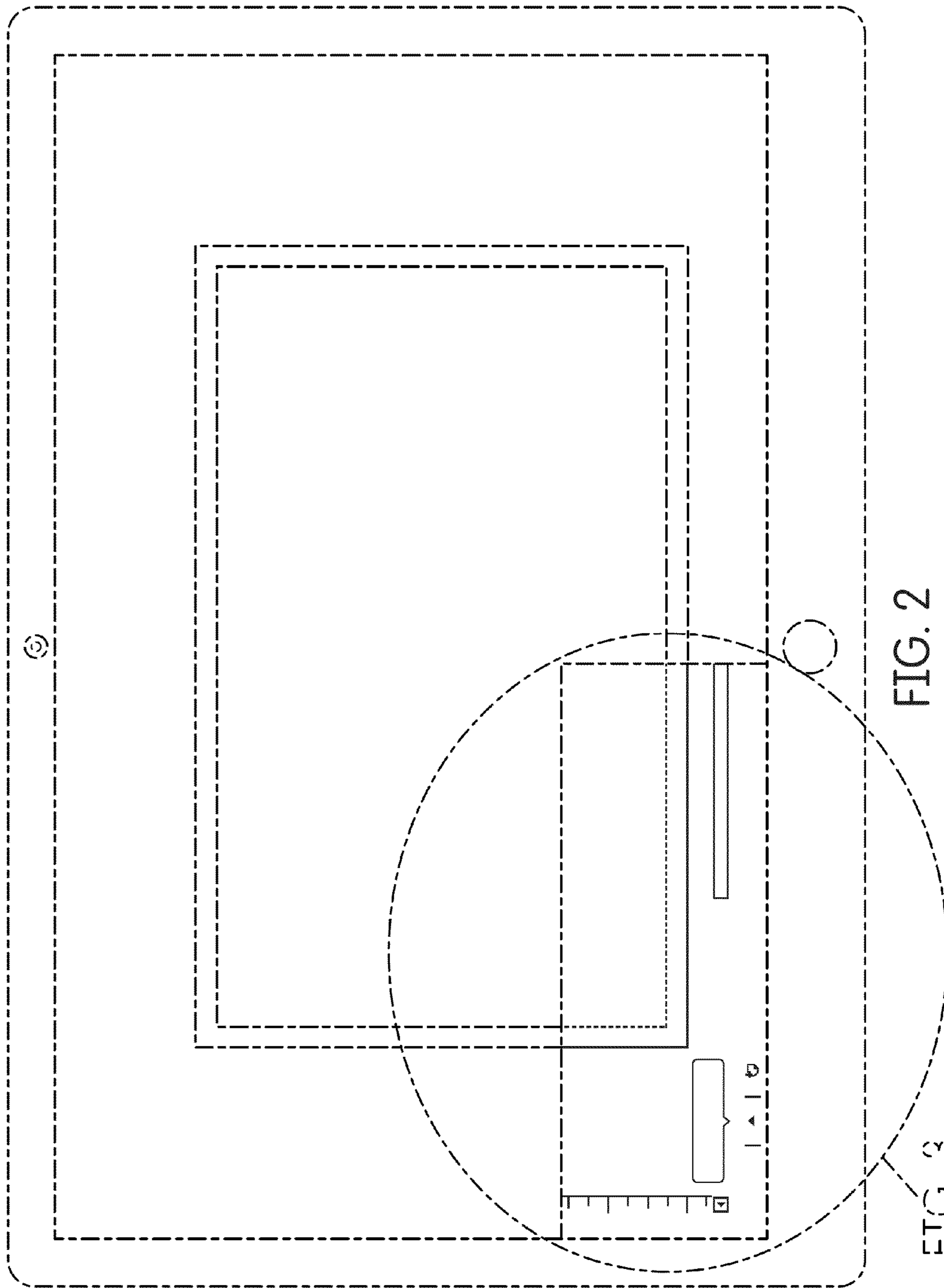


FIG. 2

FIG. 3

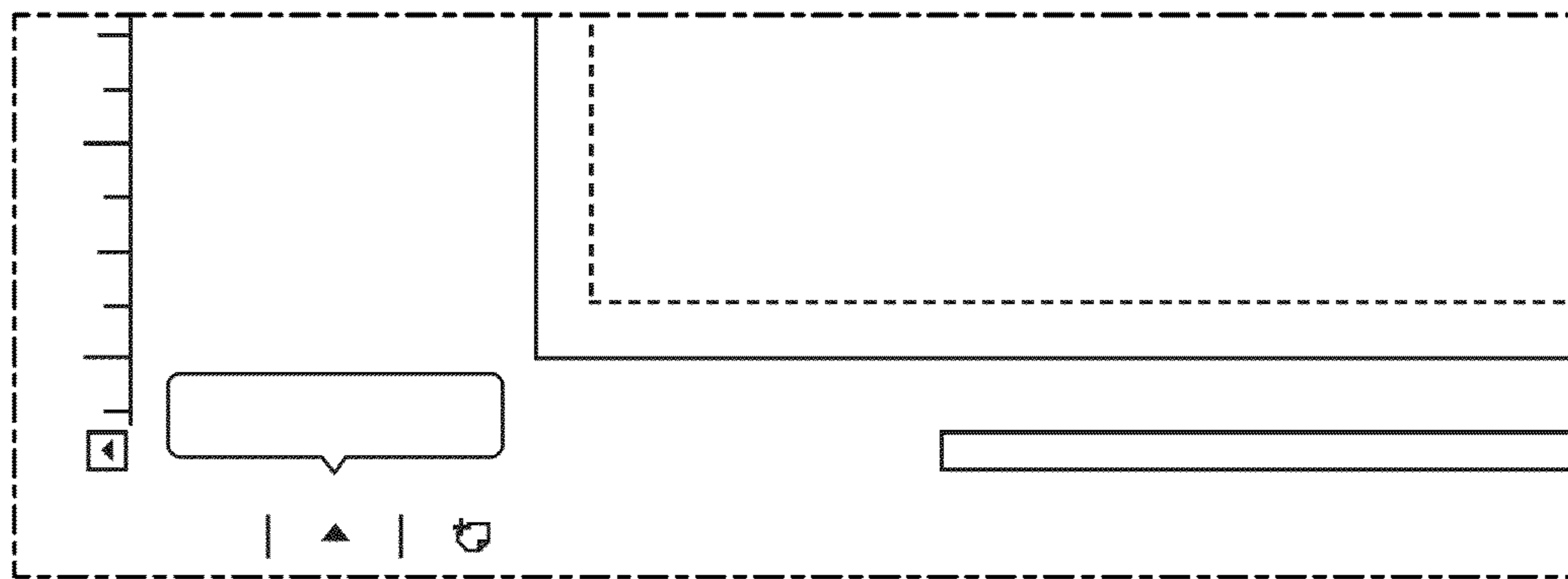


FIG. 3