



US00D707238S

(12) **United States Design Patent**
Talbot

(10) **Patent No.:** **US D707,238 S**
(45) **Date of Patent:** **** Jun. 17, 2014**

(54) **DISPLAY SCREEN WITH GRAPHICAL USER INTERFACE**

(75) Inventor: **Keri Talbot**, Seattle, WA (US)

(73) Assignee: **Microsoft Corporation**, Redmond, WA (US)

(**) Term: **14 Years**

(21) Appl. No.: **29/424,542**

(22) Filed: **Jun. 13, 2012**

(51) **LOC (10) Cl.** **14-04**

(52) **U.S. Cl.**
USPC **D14/486**

(58) **Field of Classification Search**
USPC D14/485, 486, 487, 488, 489, 490, 491, D14/492, 493, 494, 495; D18/24, 25, 26, D18/27, 28, 29, 30, 31, 32, 33; D19/6, 40, D19/52; D20/11, 12, 23, 24, 25, 29, 30, 31, D20/32, 36, 37, 38; 345/636; 715/201, 703, 715/715, 716, 760, 762, 764, 771, 772, 781, 715/804, 808, 809, 810, 825, 833, 834, 837, 715/840, 846, 854, 961, 963, 966, 967, 968, 715/974, 973, 975, 976, 977

See application file for complete search history.

(56) **References Cited**

U.S. PATENT DOCUMENTS

5,818,975	A *	10/1998	Goodwin et al.	382/274
6,347,296	B1 *	2/2002	Friedland	704/231
7,657,845	B2 *	2/2010	Drucker et al.	715/833
D616,895	S *	6/2010	Ehrler et al.	D14/486
8,150,922	B2 *	4/2012	Griffin et al.	709/206
D664,970	S *	8/2012	Ray et al.	D14/486
D665,394	S *	8/2012	Duggan et al.	D14/485
8,352,882	B2 *	1/2013	Sciammarella et al.	715/838

(Continued)

FOREIGN PATENT DOCUMENTS

EM	001699554-0001	*	5/2010
EM	001703331-0054	*	6/2010

OTHER PUBLICATIONS

Screenshot from Microsoft PowerPoint. One page of full-color photographs. Published by Microsoft Corporation of Redmond, WA. Author is Microsoft Corporation of Redmond, WA. Place of Publication is the Headquarters of Microsoft Corporation, Redmond, WA. Print date: Apr. 19, 2013. Date released unknown, but prior to the filing of the present application.

Primary Examiner — Karen E Eldridge Powers

(74) *Attorney, Agent, or Firm* — Banner & Witcoff, Ltd.

(57) **CLAIM**

The ornamental design for a display screen with graphical user interface, as shown and described.

DESCRIPTION

The patent or application file contains at least one drawing executed in color. Copies of this patent or patent application with color drawings(s) will be provided by the Office upon request and payment of the necessary fee.

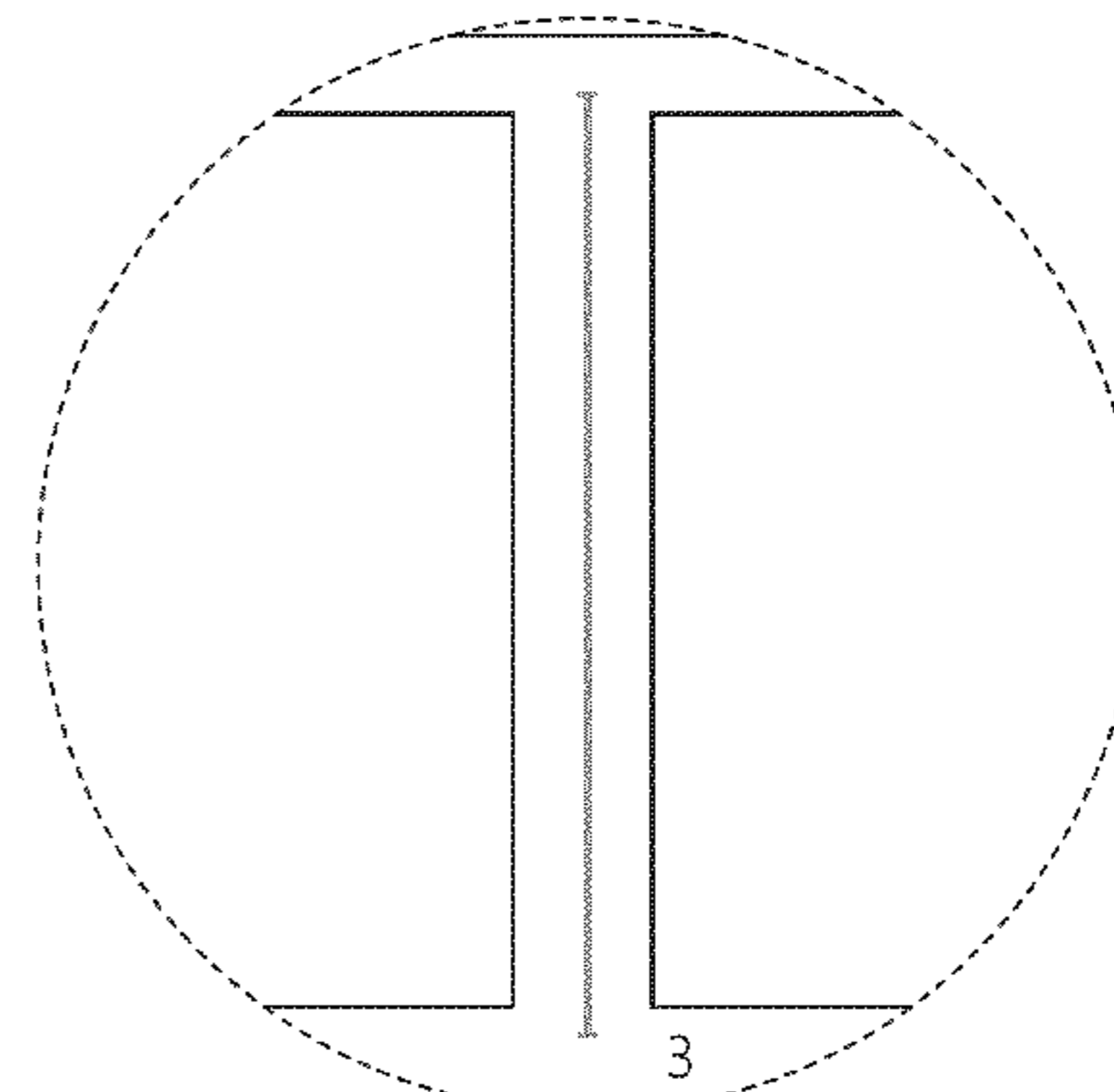
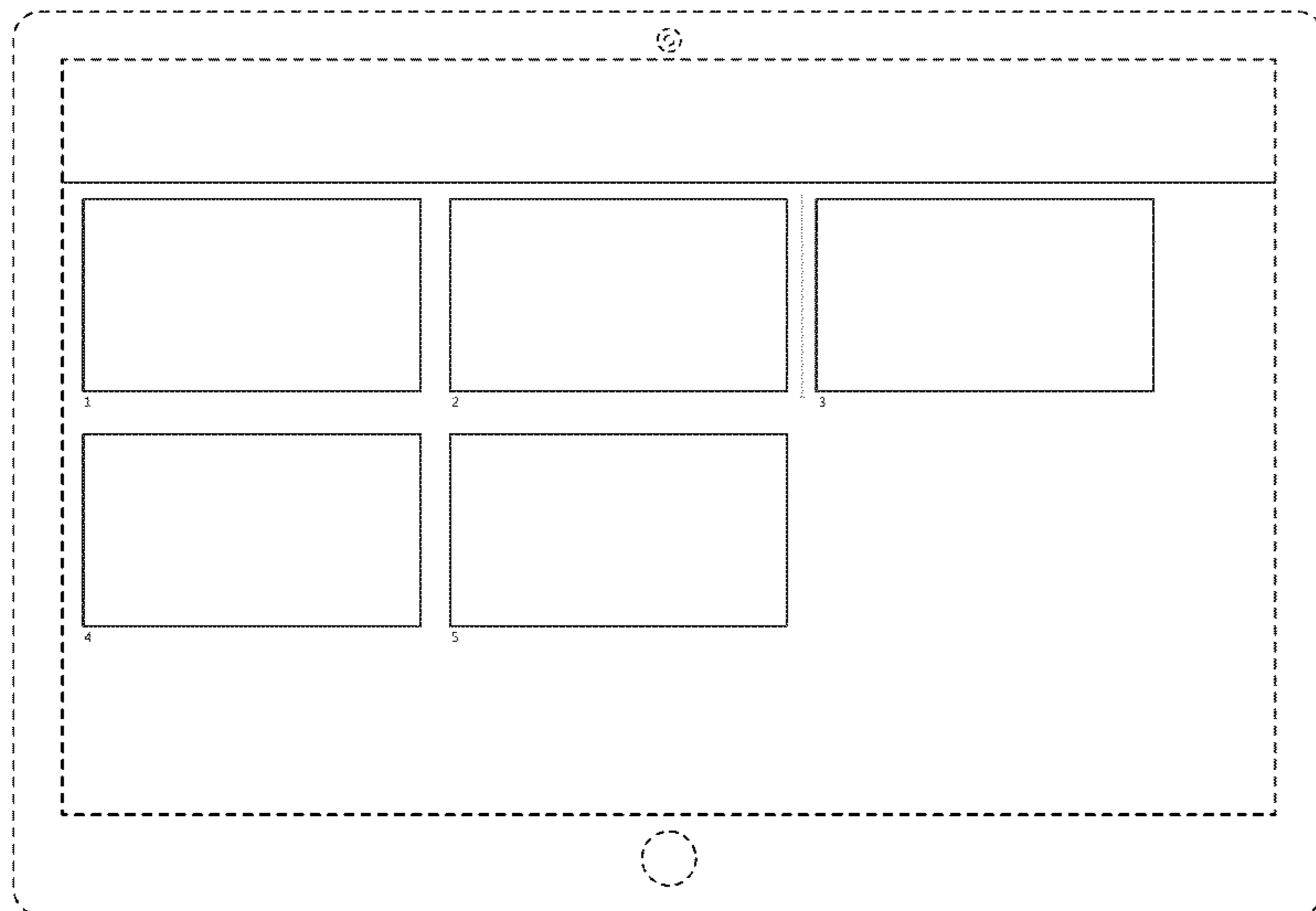
FIG. 1 is a front view of a display screen with graphical user interface showing my new design;

FIG. 2 is a front view of a display screen with graphical user interface of FIG. 1 with a region for enlargement indicated by broken-line indicia; and,

FIG. 3 is an enlarged view of the region indicated by the broken-line indicia in FIG. 2.

The “FIG. 3” indicia shown in FIG. 2, as well as the circles both identifying and displaying the enlarged region of the graphical user interface form no part of the claimed design. The broken line showing of the remainder of the graphical user interface and display screen is for environmental purposes only and forms no part of the claimed design.

1 Claim, 3 Drawing Sheets
(3 of 3 Drawing Sheet(s) Filed in Color)



(56)

References Cited

U.S. PATENT DOCUMENTS

D677,685 S * 3/2013 Simmons et al. D14/486
 8,434,024 B2 * 4/2013 Curtis 715/811
 D683,366 S * 5/2013 Gardner et al. D14/495
 D686,234 S * 7/2013 Vassigh et al. D14/486
 D687,455 S * 8/2013 Edwards et al. D14/486
 D688,687 S * 8/2013 Smith et al. D14/486
 8,539,370 B2 * 9/2013 Albert et al. 715/772
 8,601,589 B2 * 12/2013 Blagsvedt et al. 726/26

D697,075 S * 1/2014 Waldman D14/485
 2007/0260994 A1 * 11/2007 Sciammarella et al. 715/769
 2009/0083645 A1 * 3/2009 Fitzmaurice et al. 715/768
 2009/0100339 A1 * 4/2009 Wharton-Ali et al. 715/720
 2009/0276719 A1 * 11/2009 Pardehpoosh 715/762
 2010/0185547 A1 * 7/2010 Scholar 705/80
 2011/0078624 A1 * 3/2011 Missig et al. 715/802
 2011/0107241 A1 * 5/2011 Moore 715/760
 2011/0145753 A1 * 6/2011 Prakash 715/783
 2013/0082949 A1 * 4/2013 Kwak et al. 345/173

* cited by examiner

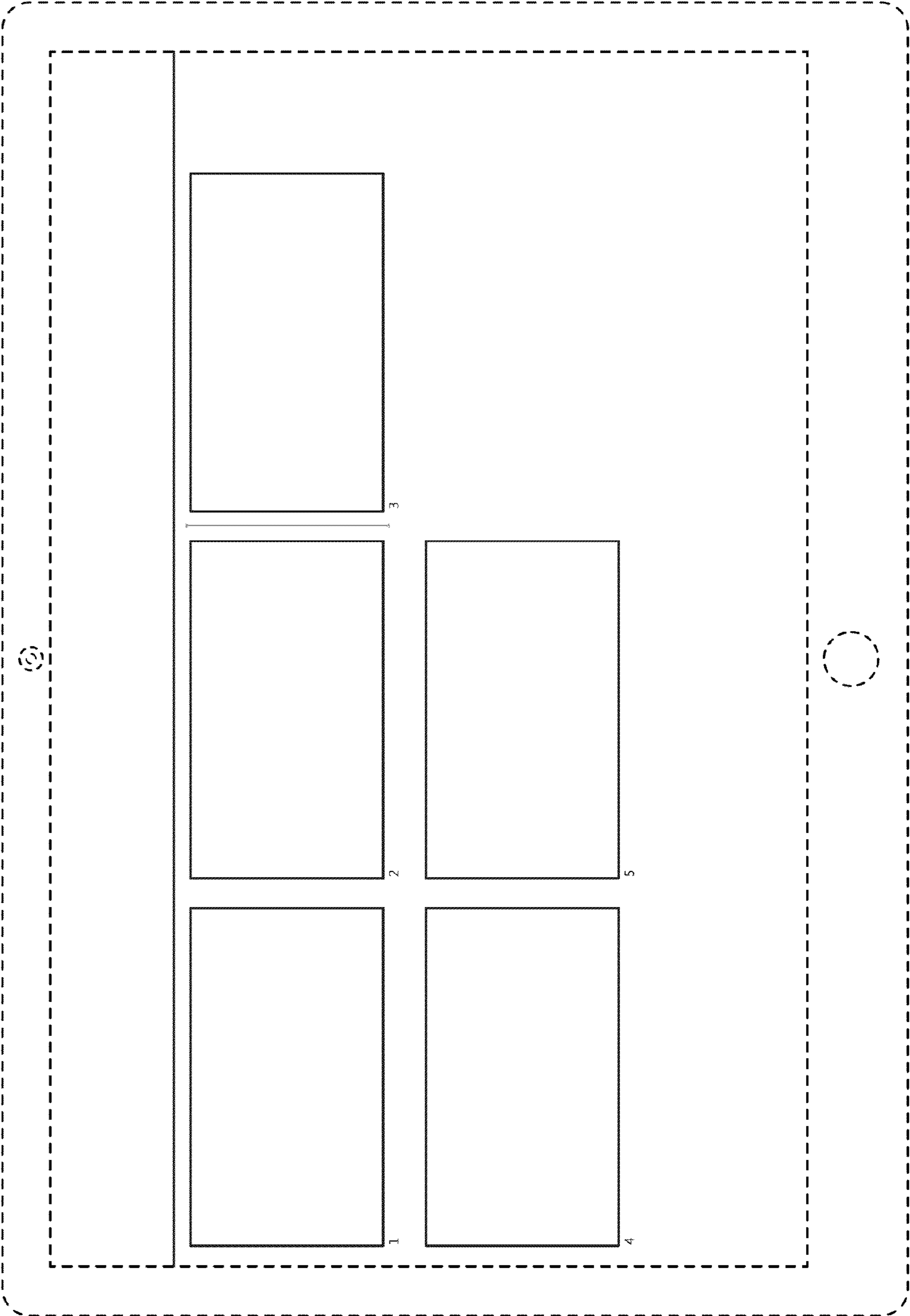


FIG. 1

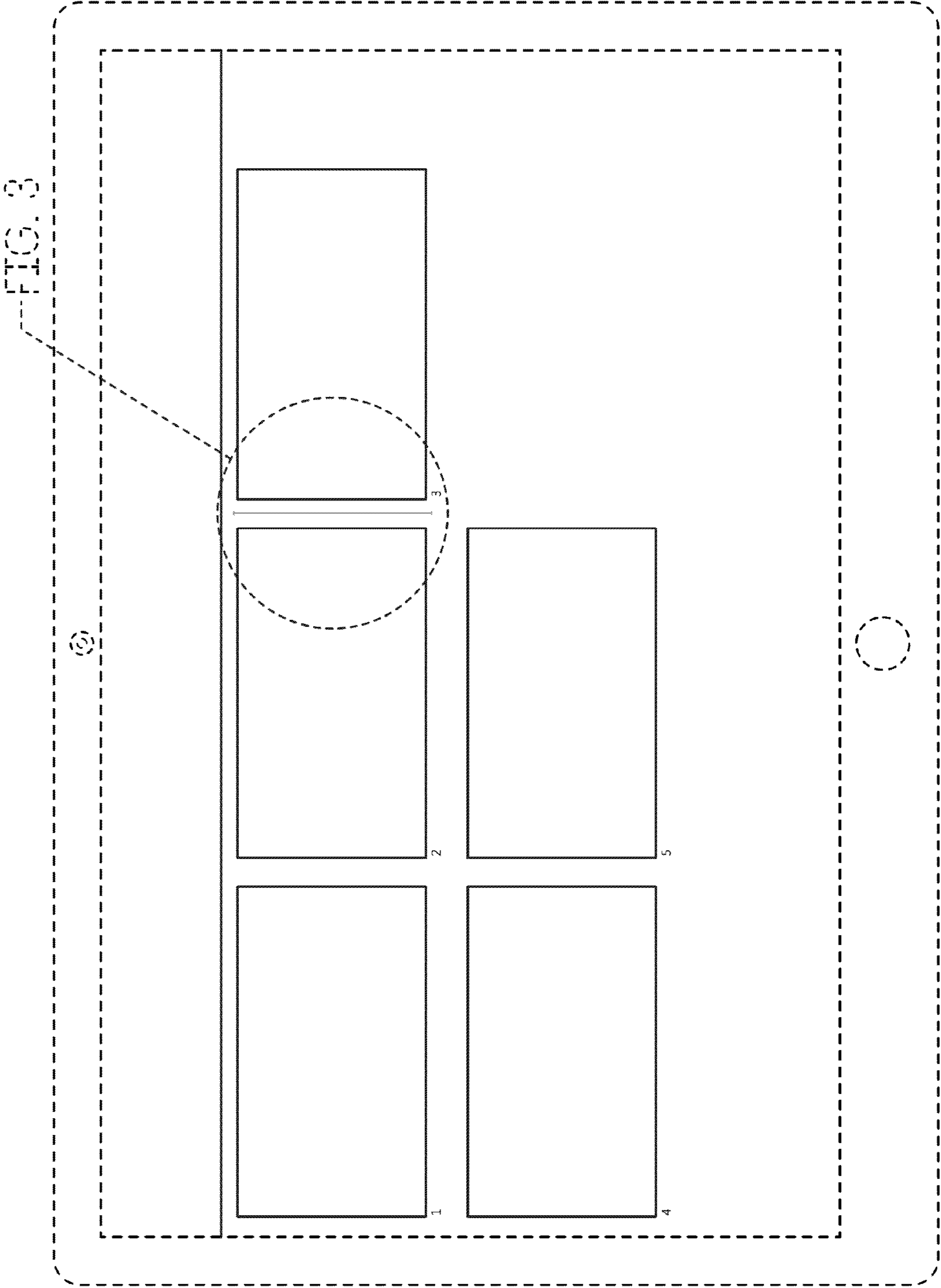


FIG. 2

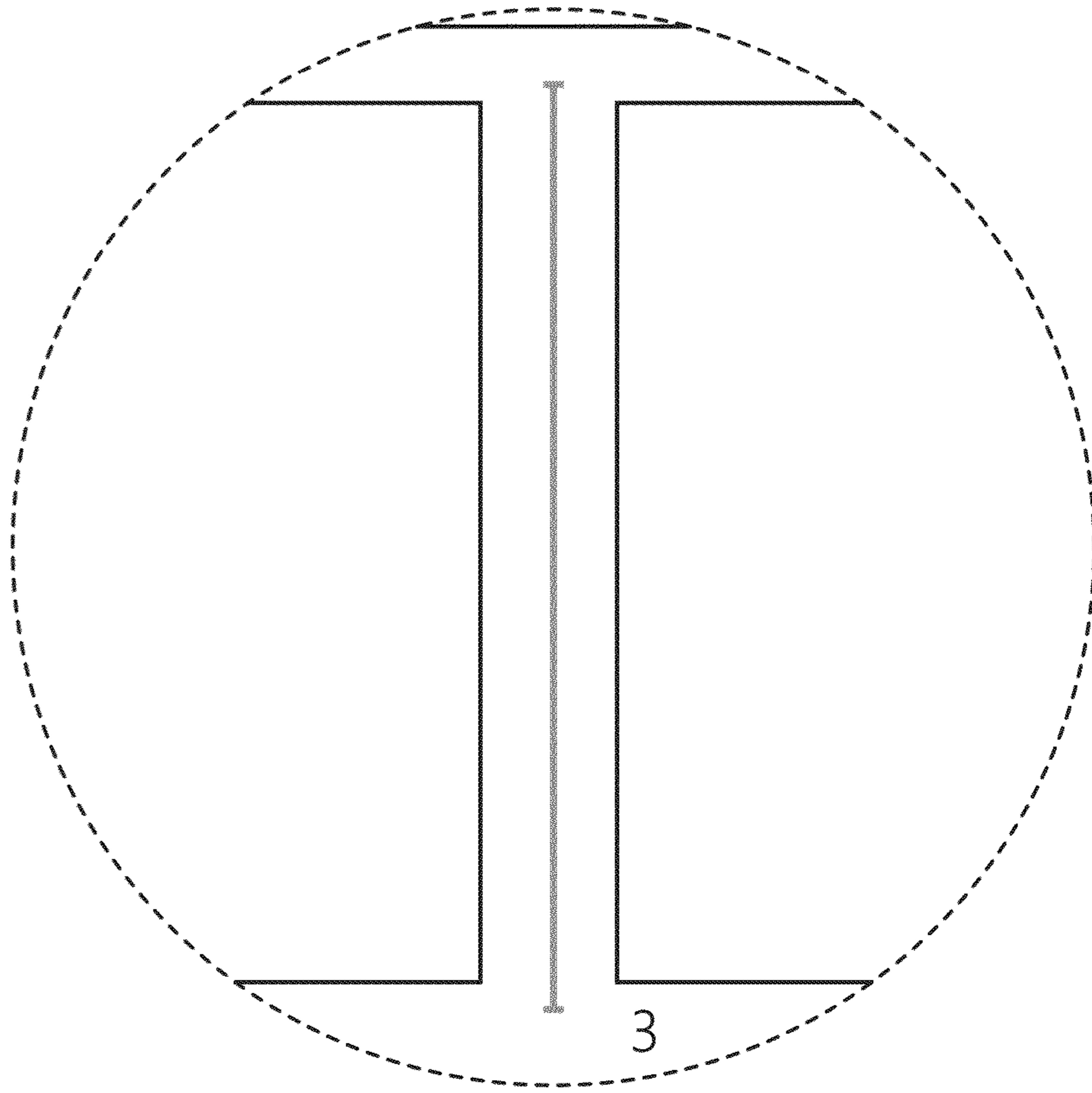


FIG. 3