



US00D707234S

(12) **United States Design Patent**  
**Tan**

(10) **Patent No.:** **US D707,234 S**  
(45) **Date of Patent:** **\*\* Jun. 17, 2014**

(54) **PORTABLE DATA STORAGE DEVICE**

(71) Applicant: **Trek Technology (Singapore) Pte Ltd,**  
Singapore (SG)

(72) Inventor: **Chun Liang Nick Tan,** Singapore (SG)

(73) Assignee: **Trek Technology (Singapore) Pte Ltd,**  
Singapore (SG)

(\*\*) Term: **14 Years**

(21) Appl. No.: **29/446,677**

(22) Filed: **Feb. 26, 2013**

(30) **Foreign Application Priority Data**

Oct. 17, 2012 (SG) ..... D2012/1224/Z

(51) **LOC (10) Cl.** ..... **14-02**

(52) **U.S. Cl.**  
USPC ..... **D14/480.1**

(58) **Field of Classification Search**  
CPC . H05K 5/0278; H01R 24/62; G06K 19/07732  
USPC ..... D14/411, 433, 435.1, 436, 480.1–480.7,  
D14/484.1, 137, 155, 203.1–203.8, 240;  
D13/133, 154; 710/300–301; 439/131,  
439/135–147

See application file for complete search history.

(56) **References Cited**

**U.S. PATENT DOCUMENTS**

D422,560 S \* 4/2000 Lok ..... D13/147  
D449,615 S \* 10/2001 Lloyd ..... D14/435.1  
D532,783 S \* 11/2006 Yu ..... D14/480.3  
D562,817 S \* 2/2008 Fiorentino et al. .... D14/436  
7,503,780 B1 \* 3/2009 Huang ..... 439/135  
D589,888 S \* 4/2009 Wu et al. .... D13/147  
7,556,512 B2 \* 7/2009 Wu et al. .... 439/135  
D601,093 S \* 9/2009 Wu et al. .... D13/147

D610,156 S \* 2/2010 Mudrick ..... D14/480.5  
D641,023 S \* 7/2011 Chen et al. .... D14/433  
D647,098 S \* 10/2011 Busch ..... D14/480.3  
D671,499 S \* 11/2012 Su ..... D13/147  
D672,780 S \* 12/2012 Chen et al. .... D14/433  
D682,841 S \* 5/2013 Suetake et al. .... D14/480.1  
D687,836 S \* 8/2013 Chen et al. .... D14/480.1  
2008/0009159 A1 \* 1/2008 Chang ..... 439/138

**OTHER PUBLICATIONS**

alibab.com, [online], [Nov. 16, 2006]. Retrieved from the Internet  
<URL: [http://img.alibaba.com/photo/11493648/USB\\_Flash\\_Drive.jpg](http://img.alibaba.com/photo/11493648/USB_Flash_Drive.jpg)>.\*  
SanDisk Cruzer Blade 8GB USB 2.0 Flash Drive—The Best Computers, [online], [retrieved on Aug. 22, 2012]. Retrieved from the Internet <URL: <http://www.thebestcomputersaccessories.info/sandisk-cruzer-blade-8gb-usb-2-0-flash-drive/>>.\*

\* cited by examiner

*Primary Examiner* — Karen E Kearney

(74) *Attorney, Agent, or Firm* — Kramer Levin Naftalis & Frankel LLP

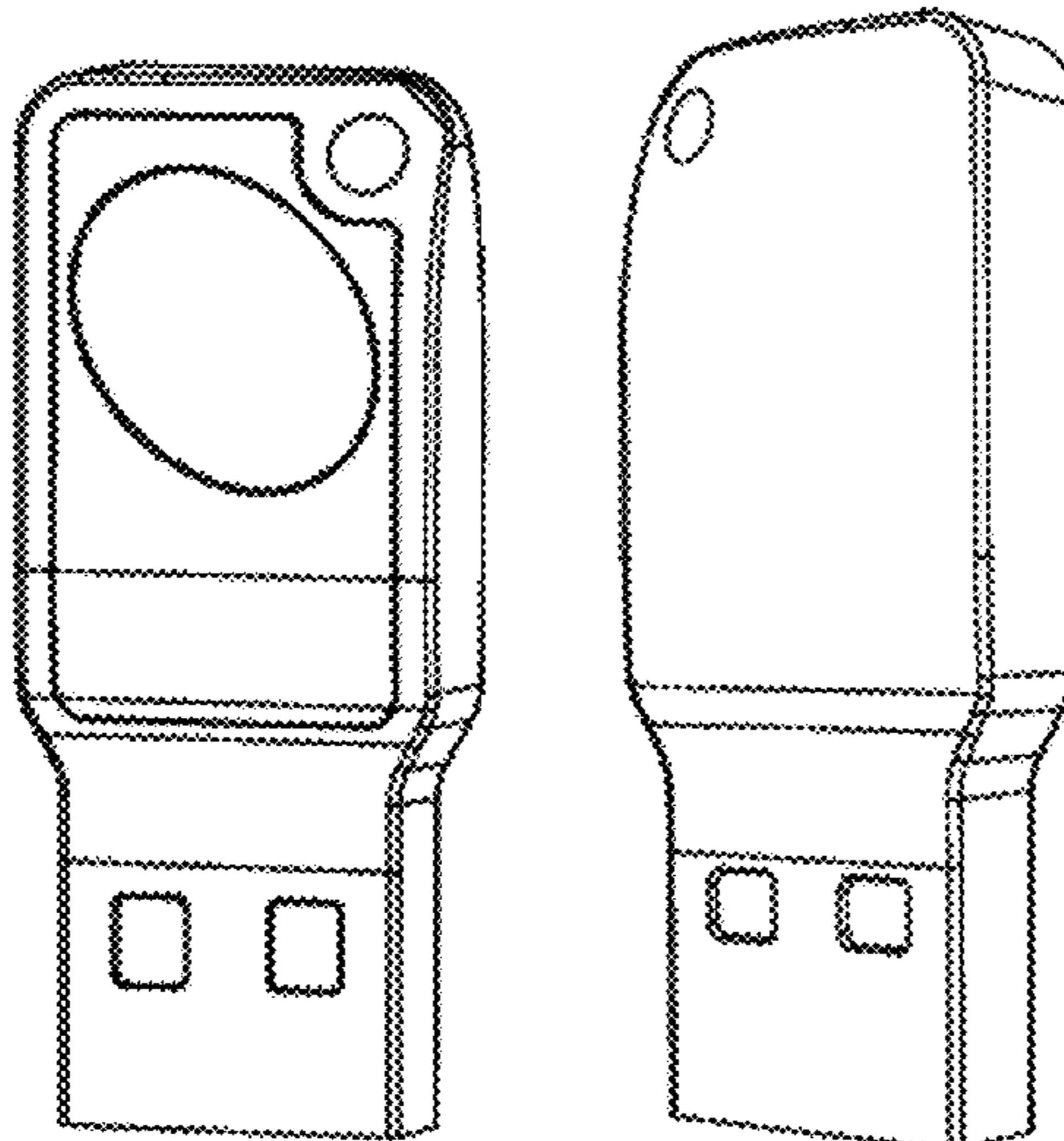
(57) **CLAIM**

The ornamental design for portable data storage device, as shown and described.

**DESCRIPTION**

FIG. 1 is a front view of the portable data storage device showing our new design;  
FIG. 2 is a back view thereof;  
FIG. 3 is a top view thereof;  
FIG. 4 is a bottom view thereof;  
FIG. 5 is a right side view thereof;  
FIG. 6 is a left side view thereof;  
FIG. 7 is a front, right side, perspective view thereof;  
FIG. 8 is a back, left side, perspective view thereof; and,  
FIG. 9 is a bottom, right side, perspective view thereof.

**1 Claim, 9 Drawing Sheets**



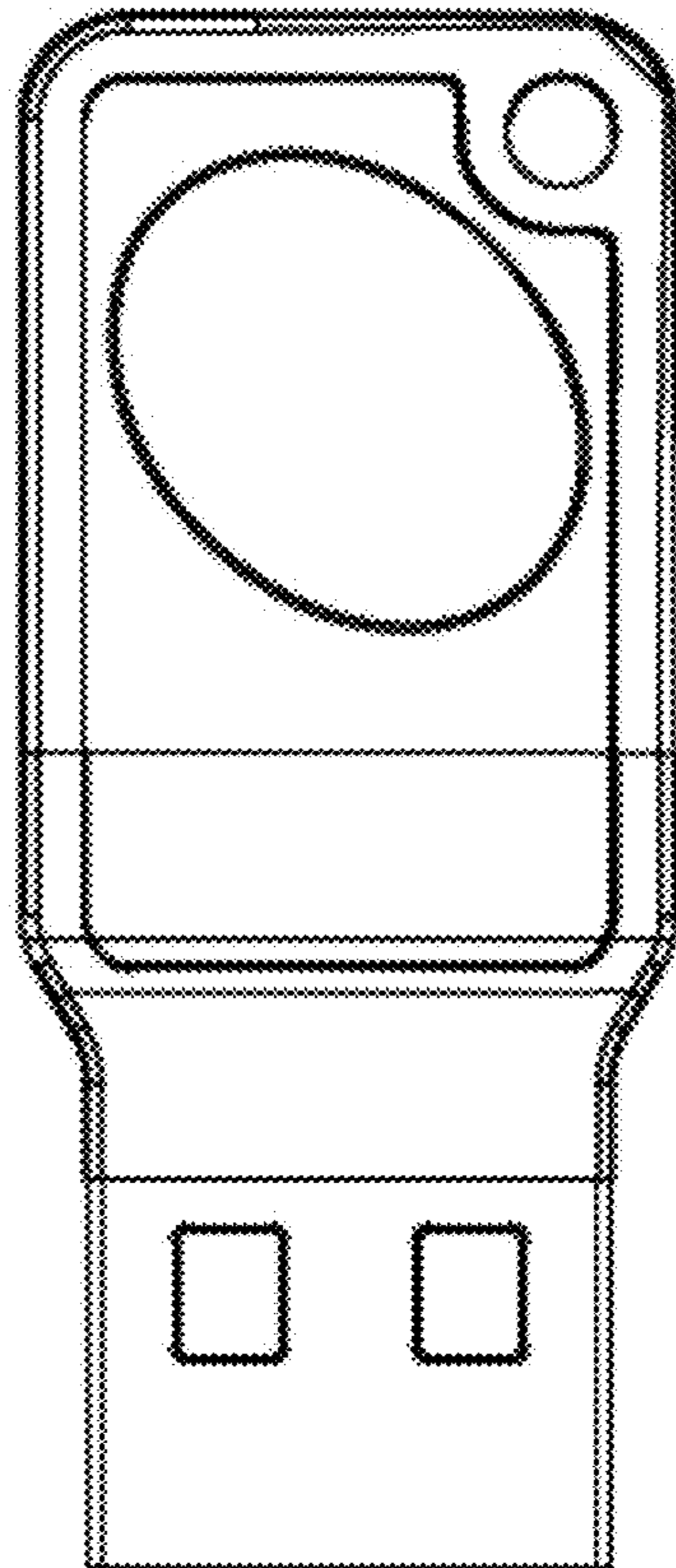


FIG 1

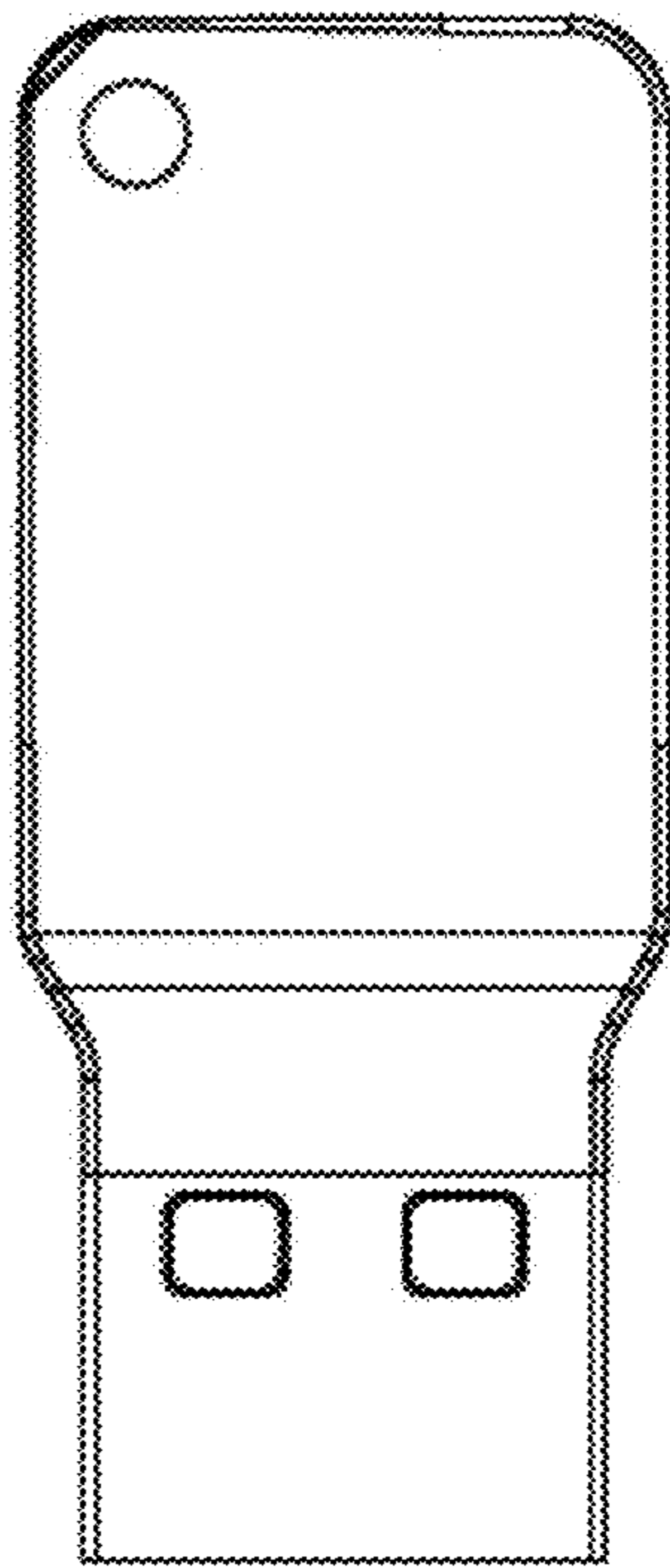


FIG 2



FIG 3

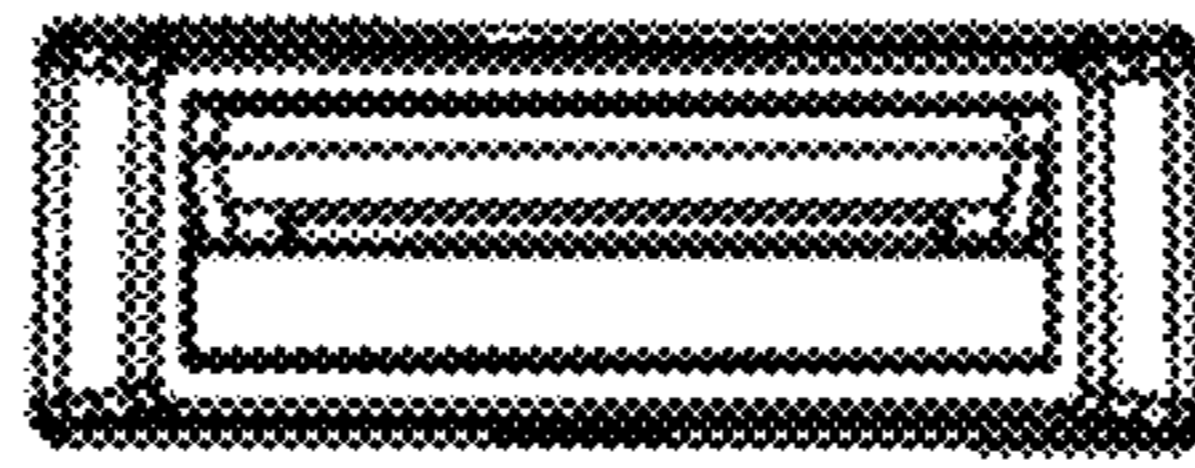


FIG 4

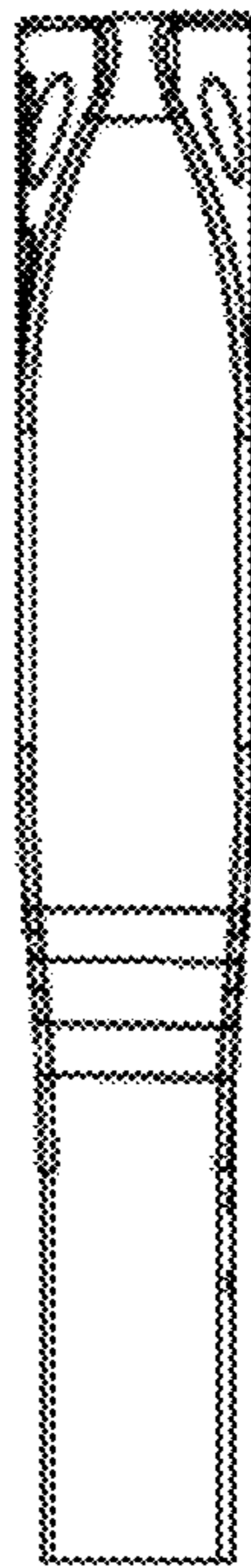


FIG 5

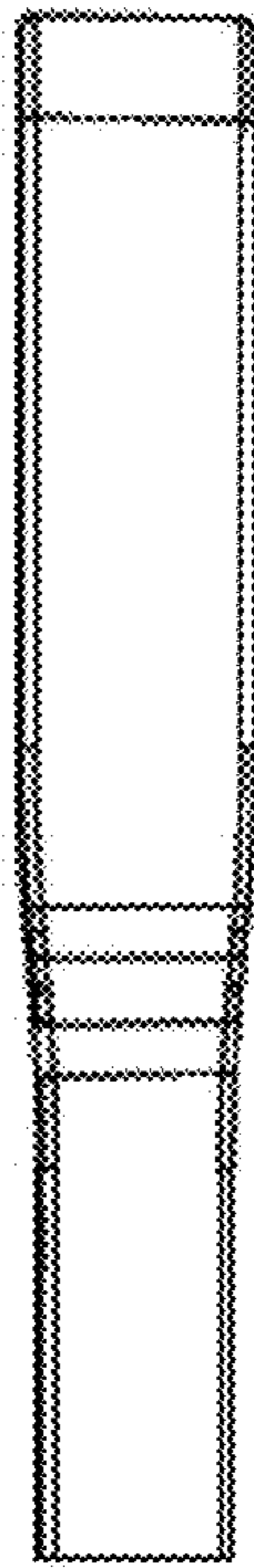


FIG 6

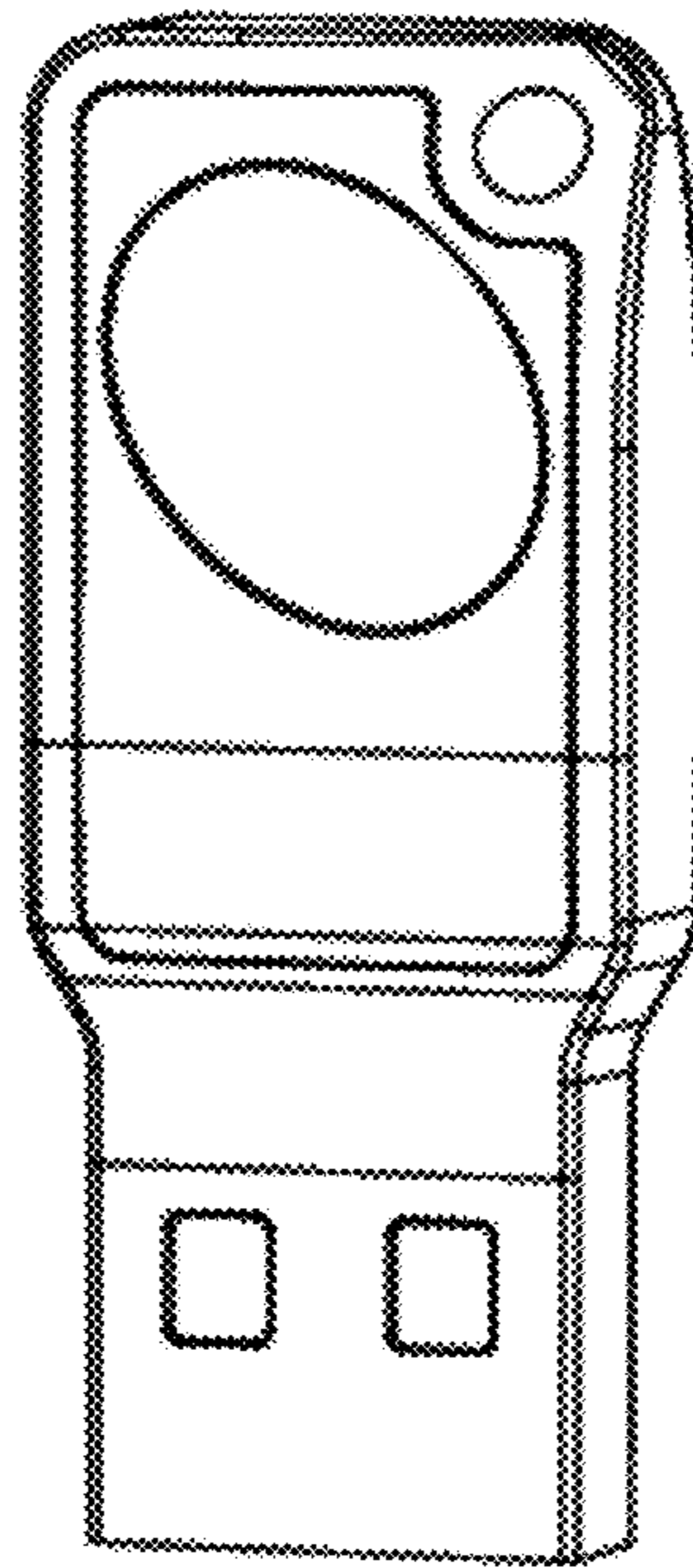


FIG 7



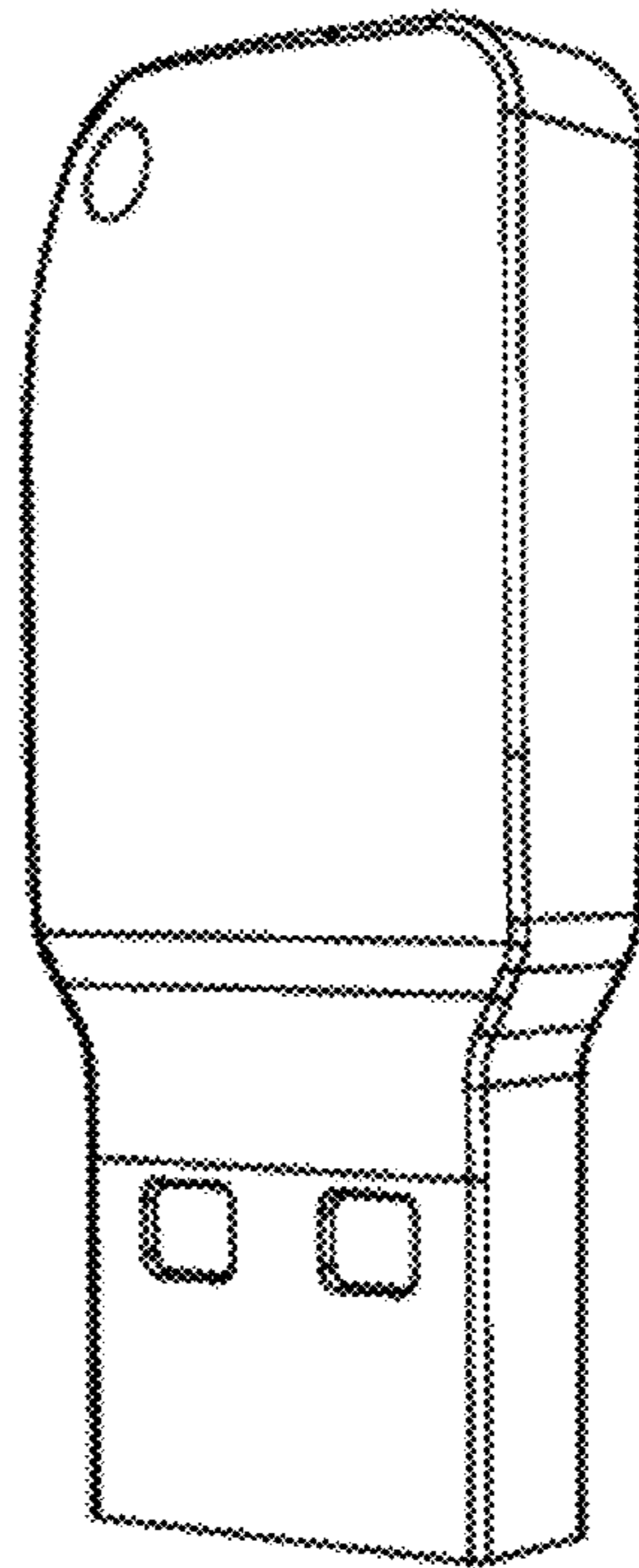


FIG 8

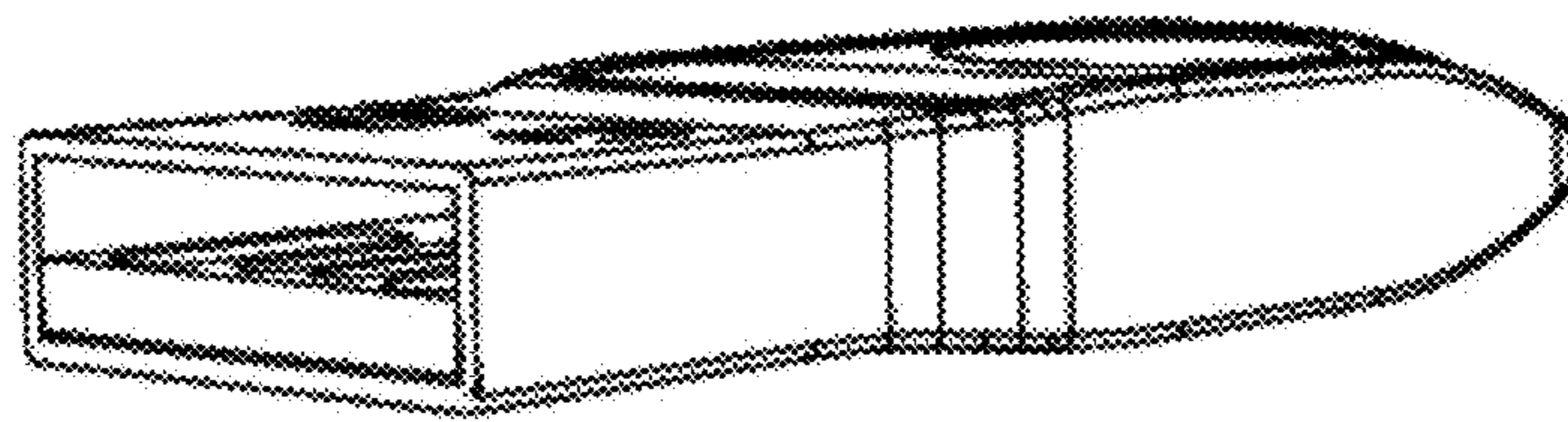


FIG 9