



US00D707232S

(12) **United States Design Patent**
Lopes

(10) **Patent No.:** **US D707,232 S**
(45) **Date of Patent:** **** Jun. 17, 2014**

(54) **STAND**

FOREIGN PATENT DOCUMENTS

(71) Applicant: **Renato Lopes**, London (GB)

EM 002061127-0001 6/2012
EM 002061127-0002 6/2012

(72) Inventor: **Renato Lopes**, London (GB)

* cited by examiner

(**) Term: **14 Years**

Primary Examiner — Angela J Lee

(21) Appl. No.: **29/458,447**

(74) *Attorney, Agent, or Firm* — Crose Law LLC; Bradley D. Crose

(22) Filed: **Jun. 19, 2013**

(57) **CLAIM**

The ornamental design for a stand, as shown and described.

(51) **LOC (10) Cl.** **08-07**

(52) **U.S. Cl.**

DESCRIPTION

USPC **D14/447**

(58) **Field of Classification Search**

USPC D14/447, 451, 457, 432, 434, 439, 440,
D14/217, 238.1, 250, 251, 253; D6/406.1,
D6/406.2, 406.3, 406.4, 406.5, 406.6;
D12/415; D13/108, 110; D8/363;
D21/333; 248/917-924, 133, 136, 139,
248/150, 176.1, 188.6; 361/679.09, 679.21,
361/679.22, 679.24, 679.26, 679.27,
361/679.28, 679.3, 679.55, 679.56, 709
See application file for complete search history.

FIG. 1 is a right side elevational view of a stand for a cellular phone, tablet or the like, illustrating the new, original, and ornamental design;

FIG. 2 is a top plan view of the stand, illustrating the new, original, and ornamental design;

FIG. 3 is a bottom plan view of the stand, illustrating the new, original, and ornamental design;

FIG. 4 is a front elevational view of the stand, illustrating the new, original, and ornamental design;

FIG. 5 is a rear elevational view of the stand, illustrating the new, original, and ornamental design;

FIG. 6 is a top plan view of the stand in an unassembled state, illustrating the new, original, and ornamental design;

FIG. 7 is a perspective view of the stand from above the front, illustrating the new, original, and ornamental design;

FIG. 8 is a perspective view of the stand from the front, illustrating the new, original, and ornamental design;

FIG. 9 is a perspective view of the stand from the right side, illustrating the new, original, and ornamental design; and,

FIG. 10 is a perspective view of the stand from the right of the front, illustrating the new, original, and ornamental design.

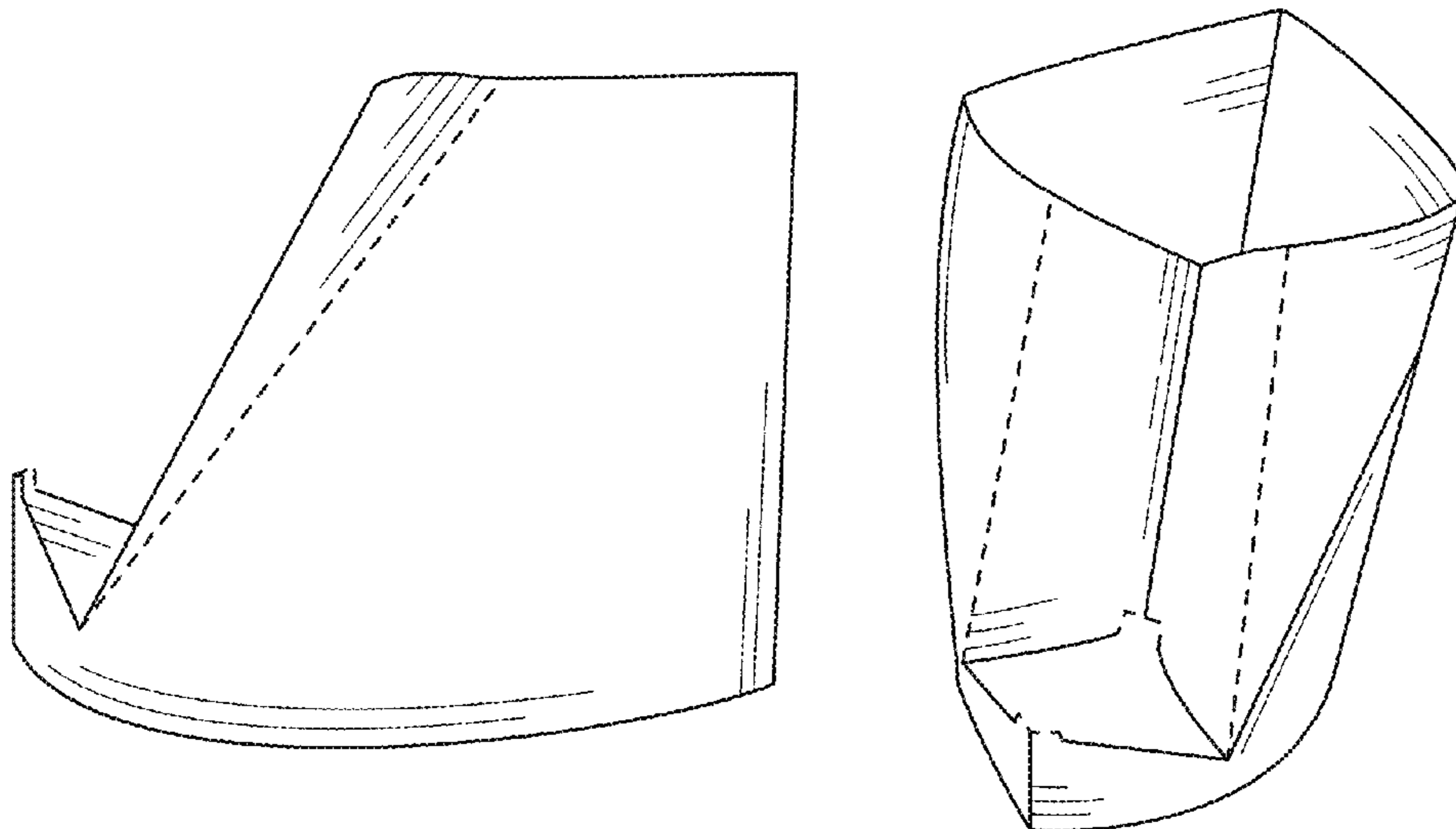
The broken lines shown in the drawings are included for the purpose of illustrating environmental structure and form no part of the claimed design.

(56) **References Cited**

U.S. PATENT DOCUMENTS

D365,461 S *	12/1995	Falter	D6/406.4
7,185,869 B2 *	3/2007	Smith	248/456
D544,218 S *	6/2007	Schelert	D6/300
7,654,499 B2 *	2/2010	Lane	248/459
D639,814 S *	6/2011	Farris-Gilbert et al.	D14/447
D669,085 S *	10/2012	Coberly	D14/447
D674,396 S *	1/2013	Yang et al.	D14/447
D676,452 S *	2/2013	So	D14/447
8,424,830 B2 *	4/2013	Yang et al.	248/459
D681,626 S *	5/2013	Zehner	D14/253
D682,839 S *	5/2013	Sampson et al.	D14/447
D689,870 S *	9/2013	Fong et al.	D14/447
2012/0006951 A1 *	1/2012	Lin	248/188.6

1 Claim, 10 Drawing Sheets



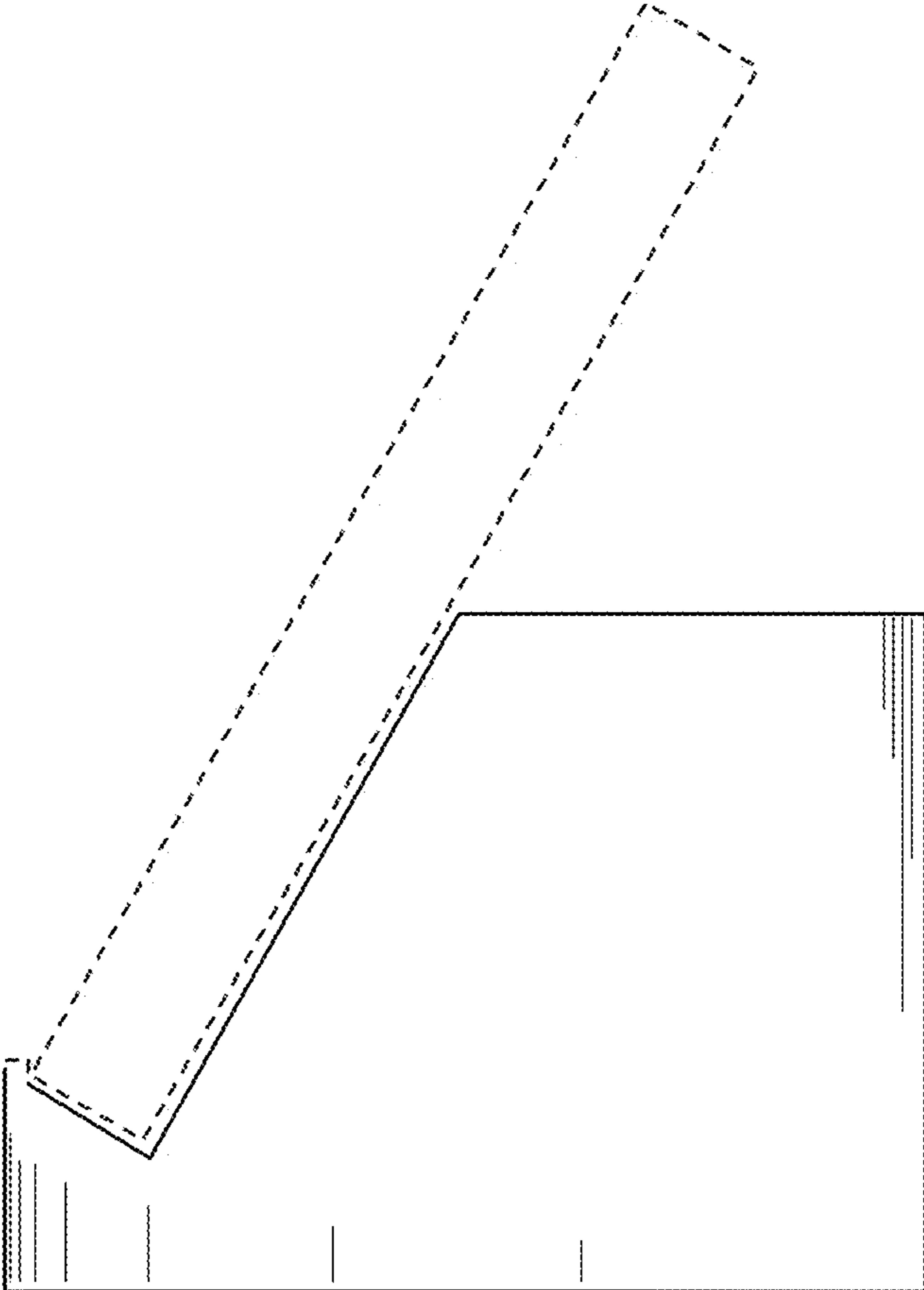


FIG. 1

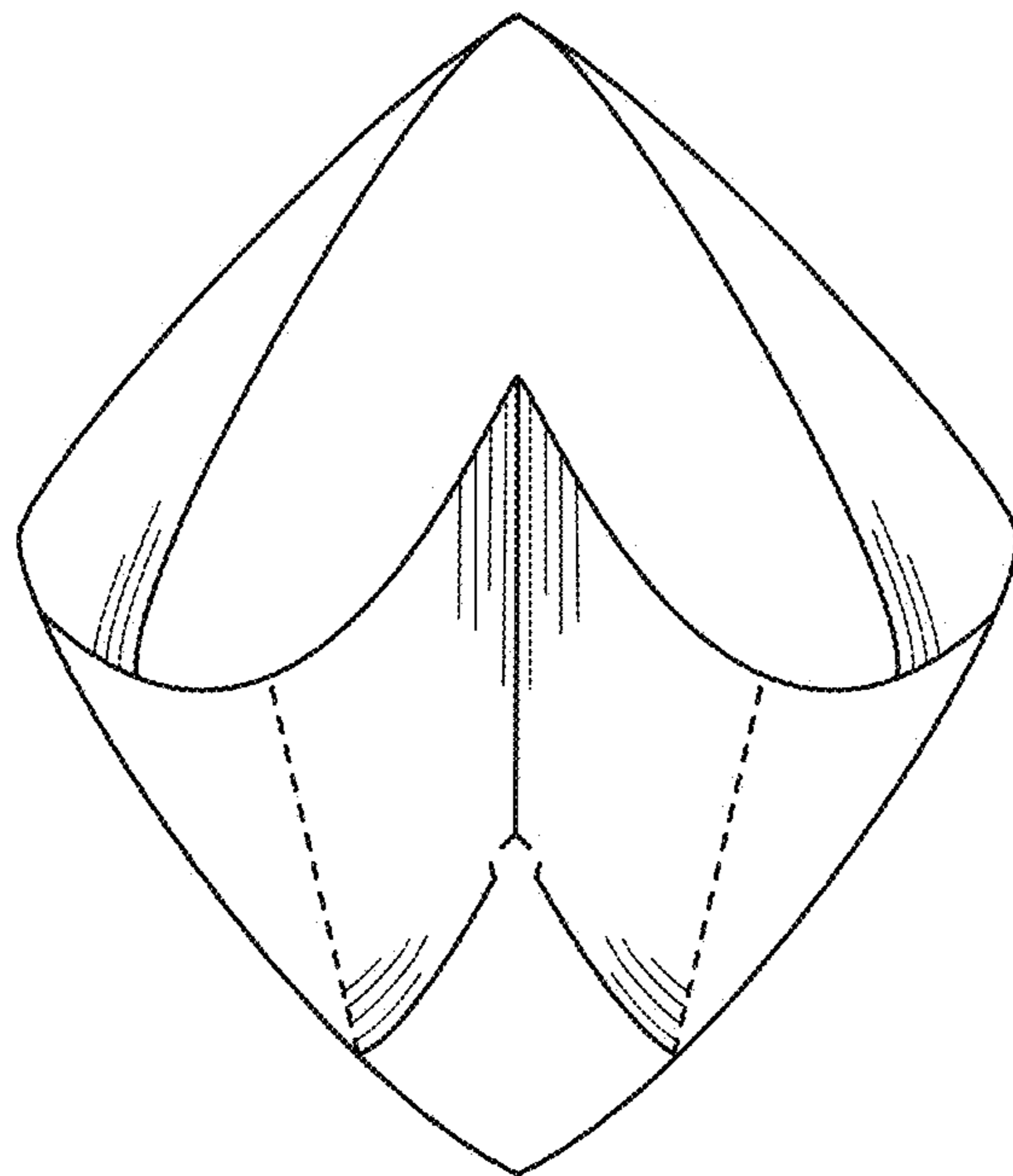


Fig. 2

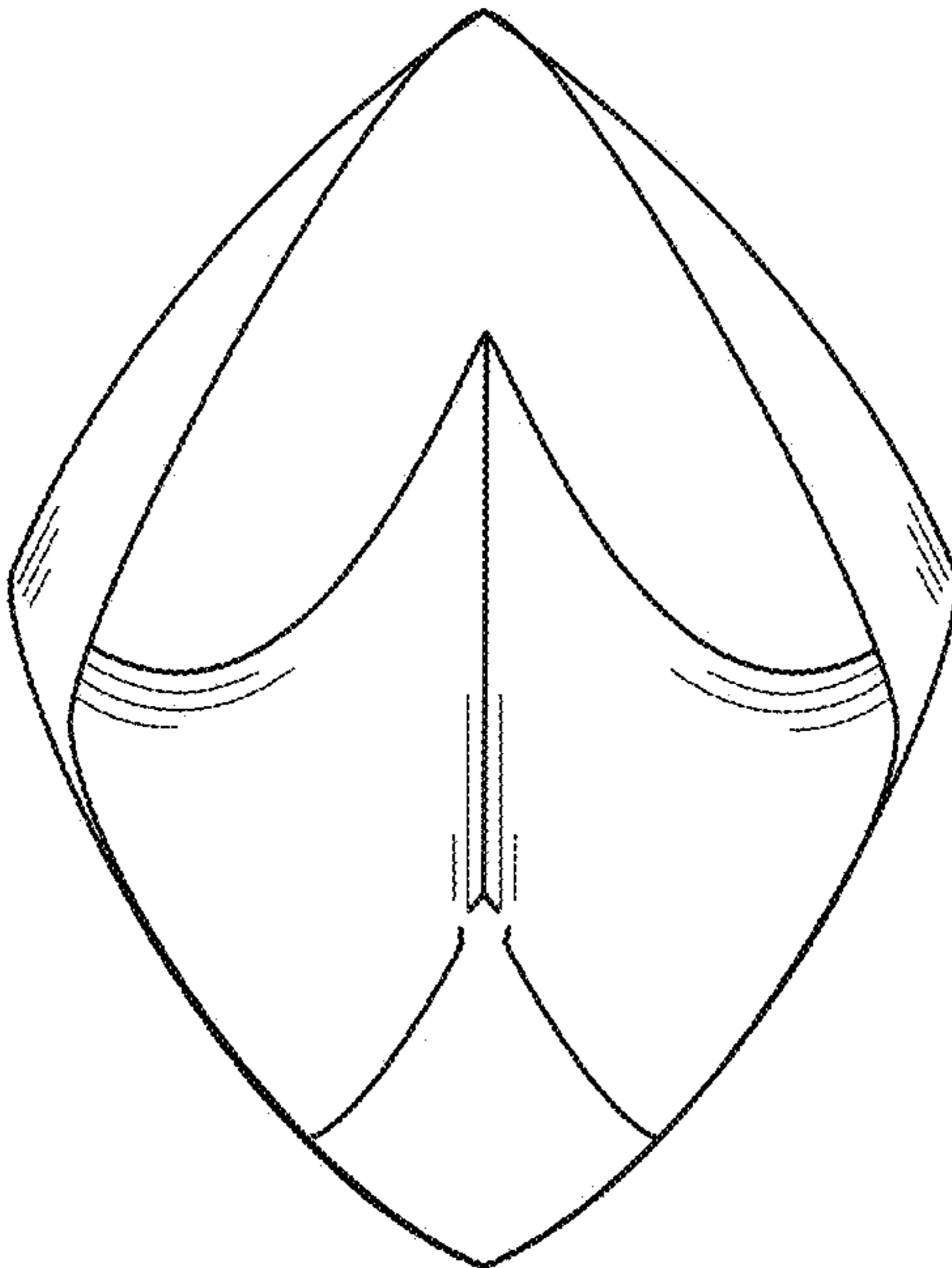


Fig. 3

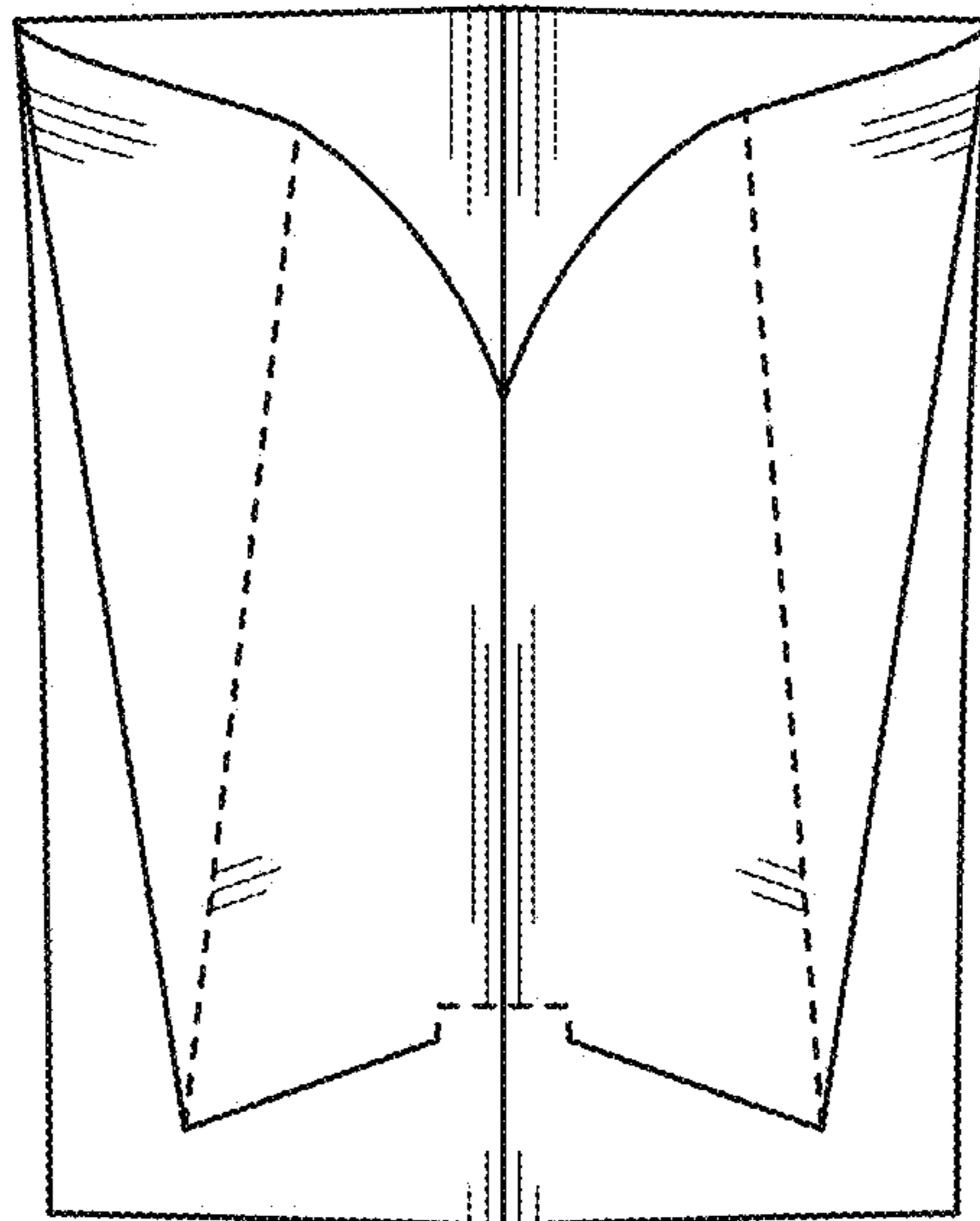


Fig. 4

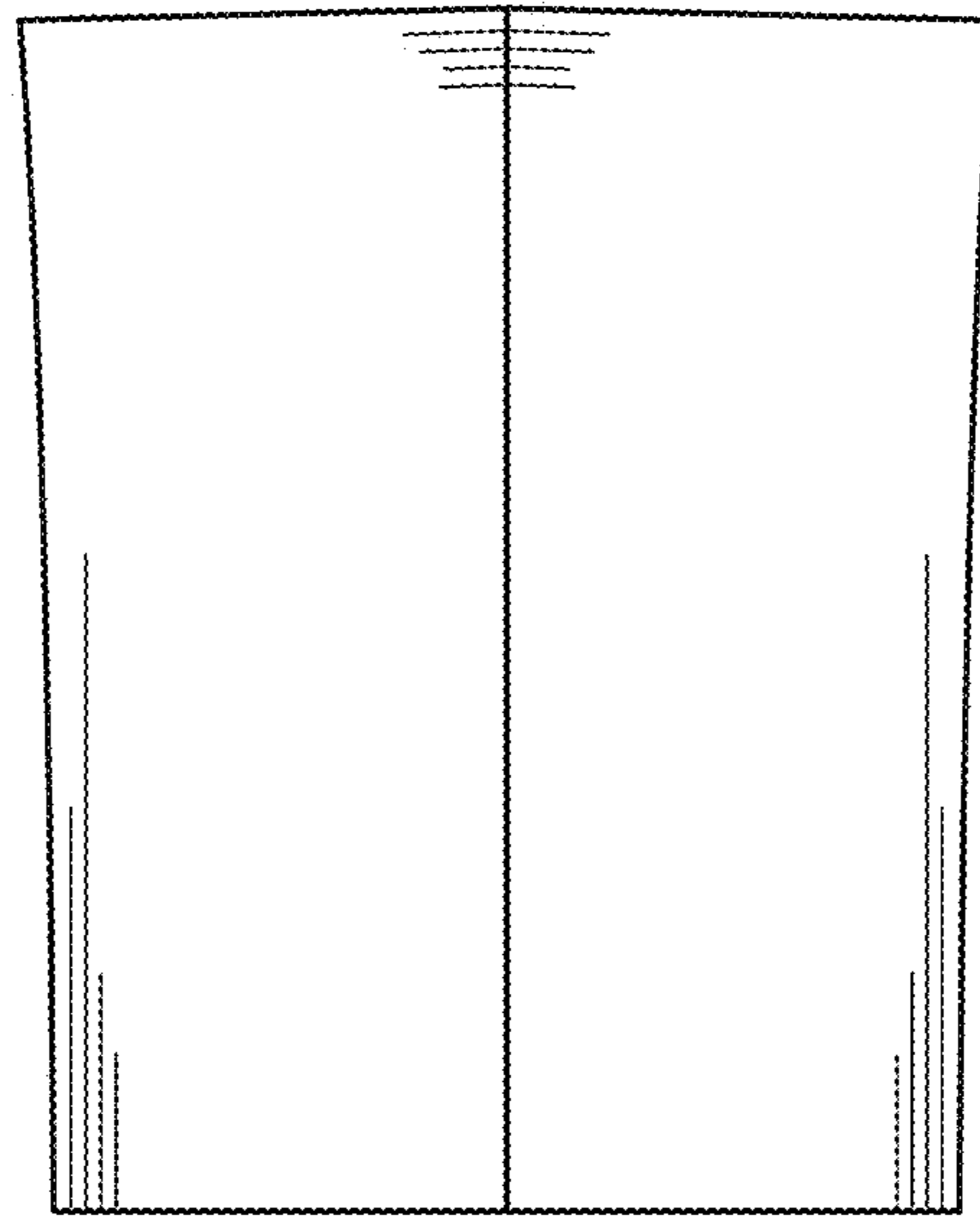


Fig. 5

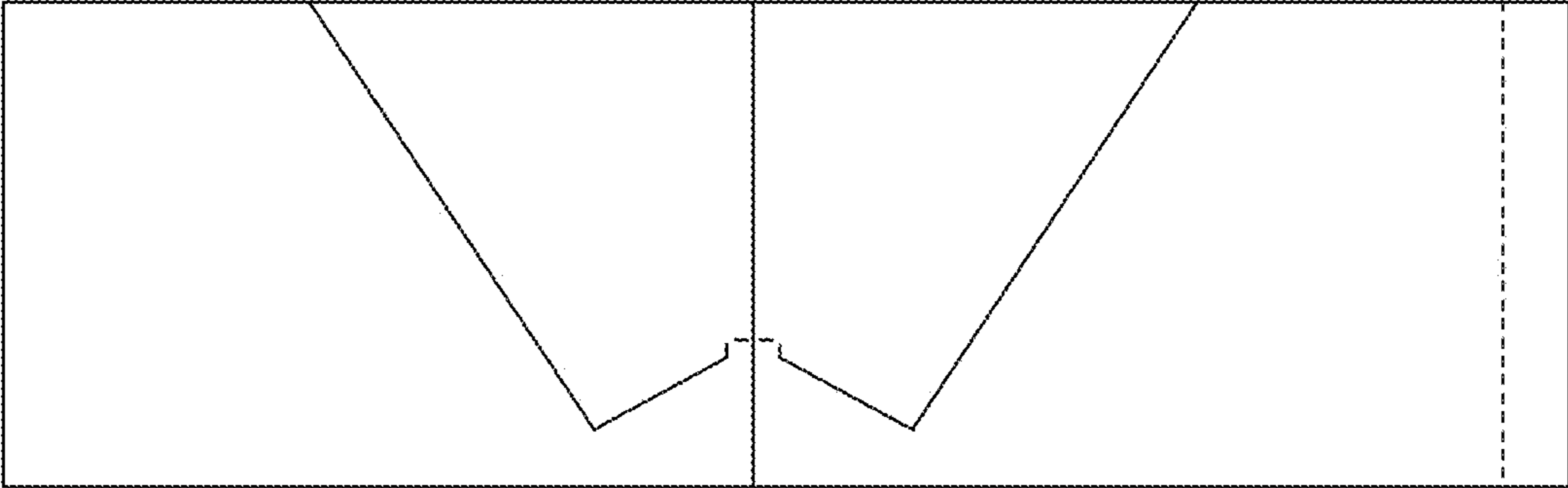


Fig. 6

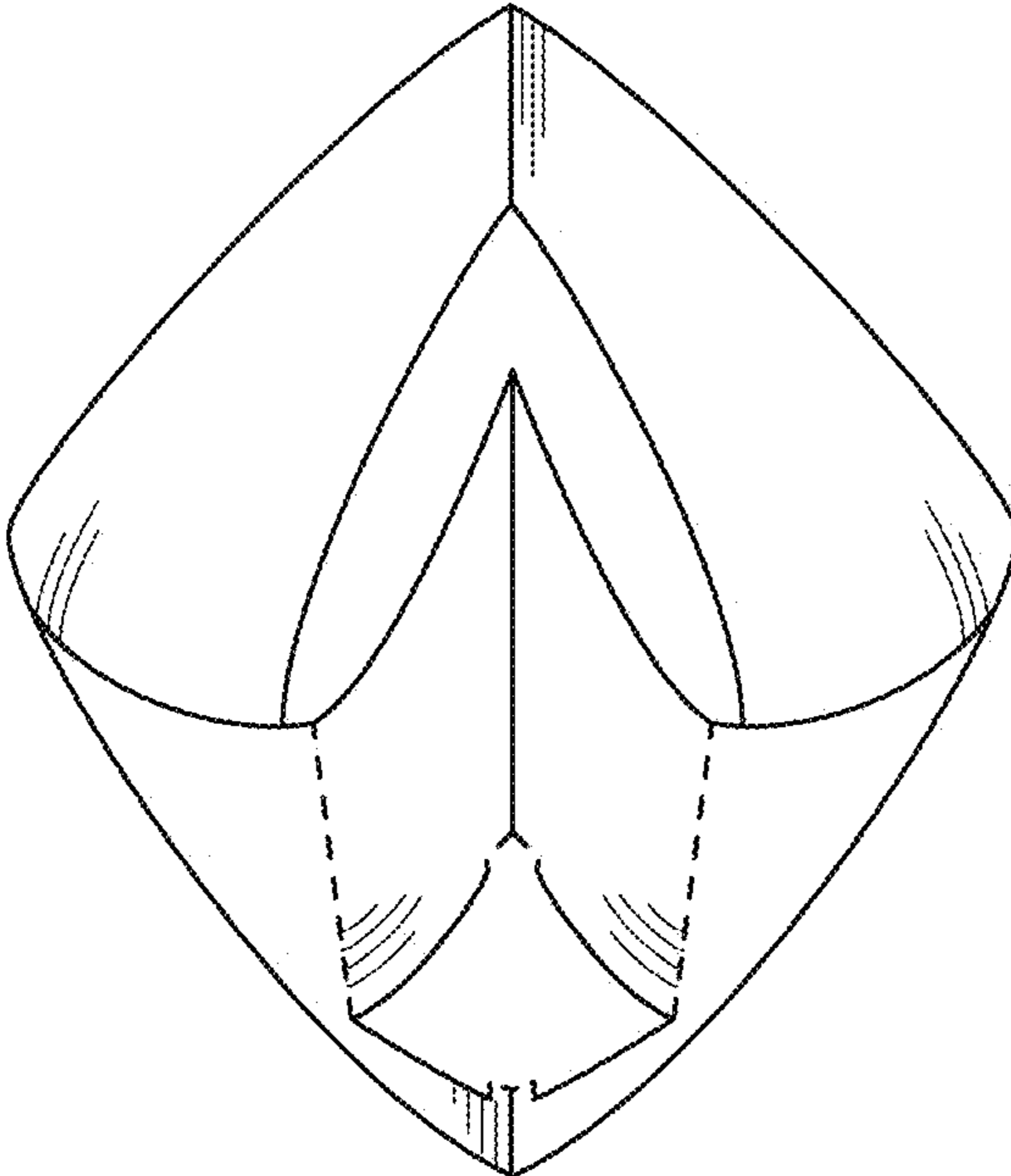


Fig. 7

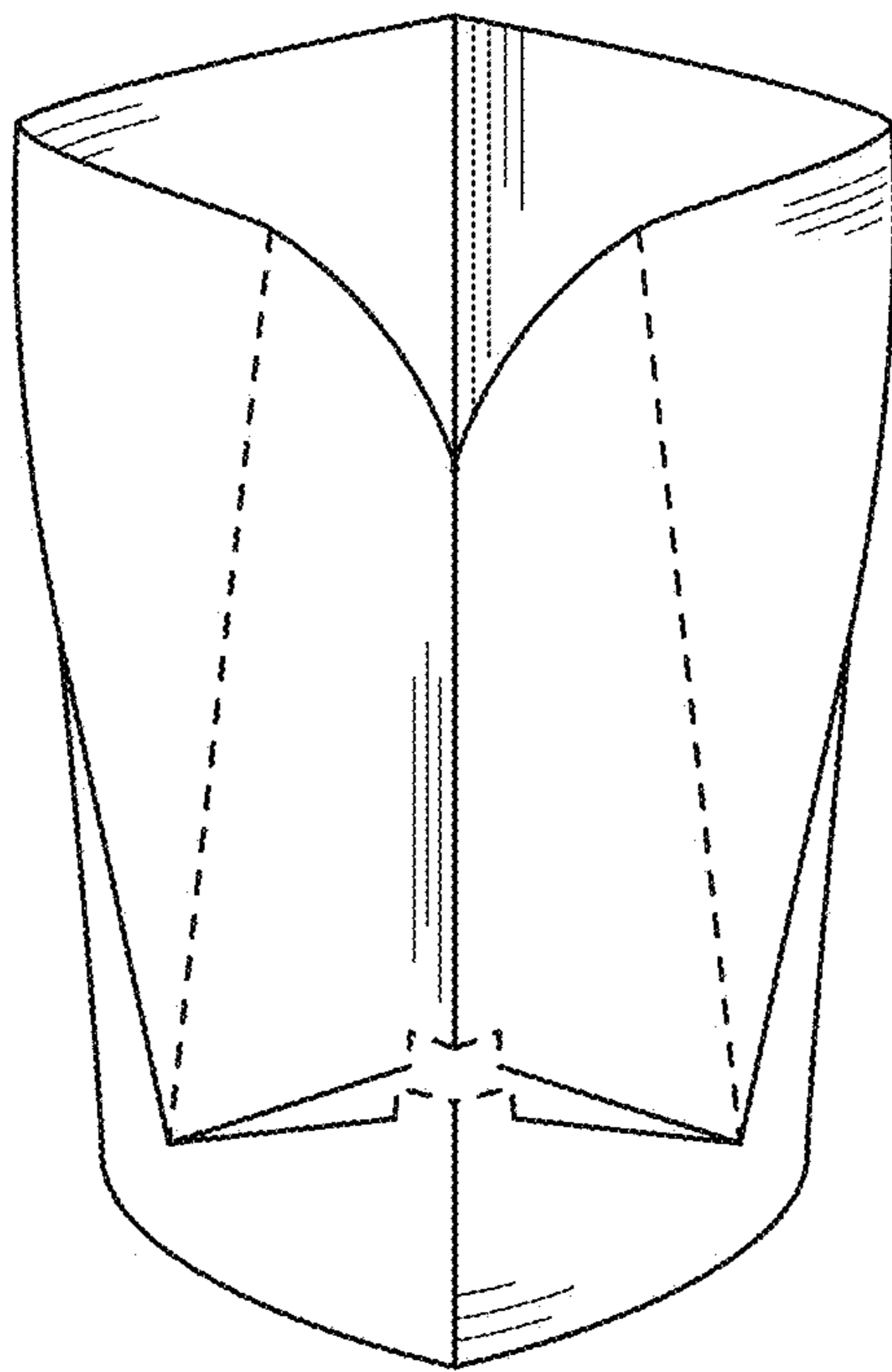


Fig. 8

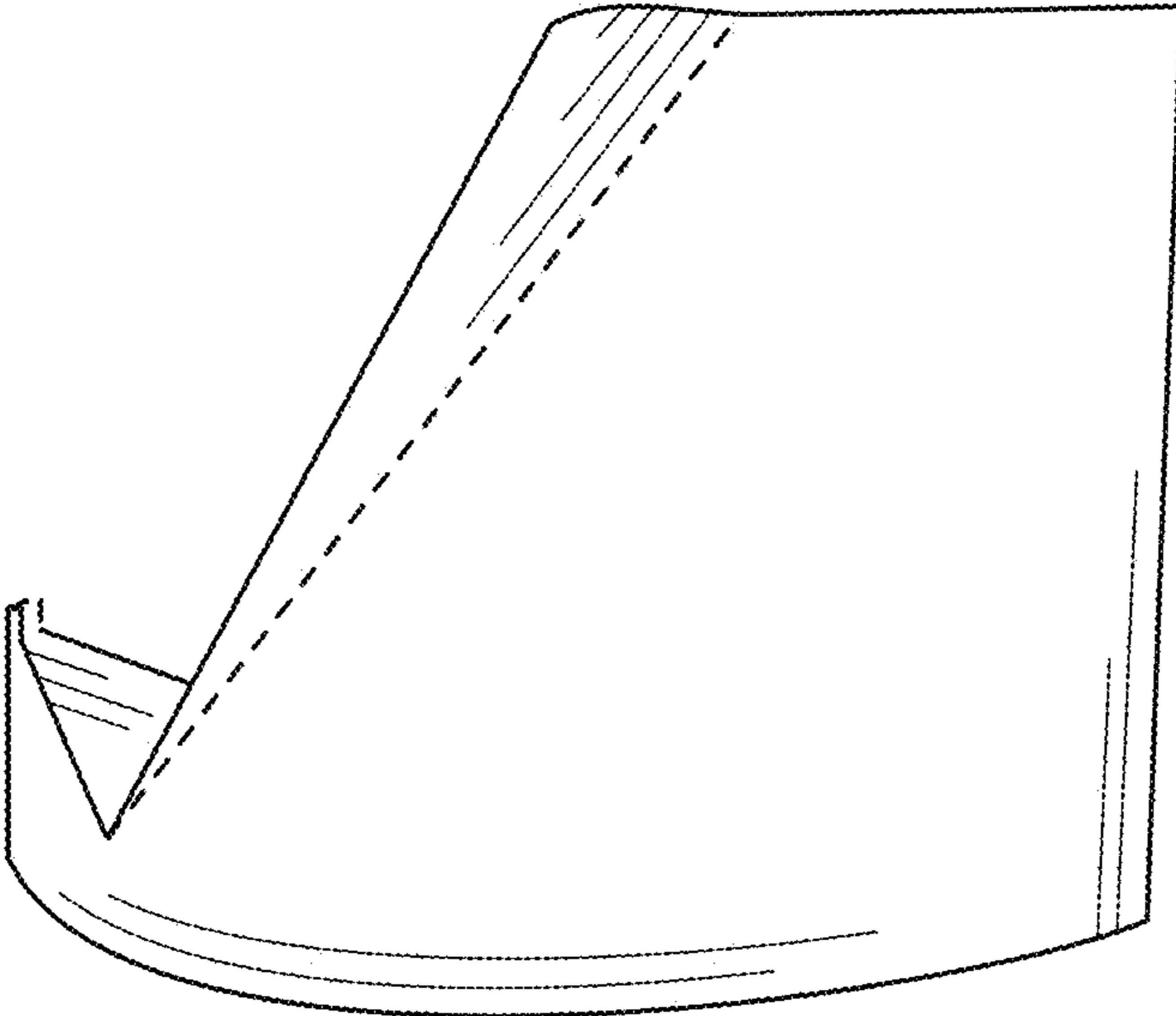


Fig. 9

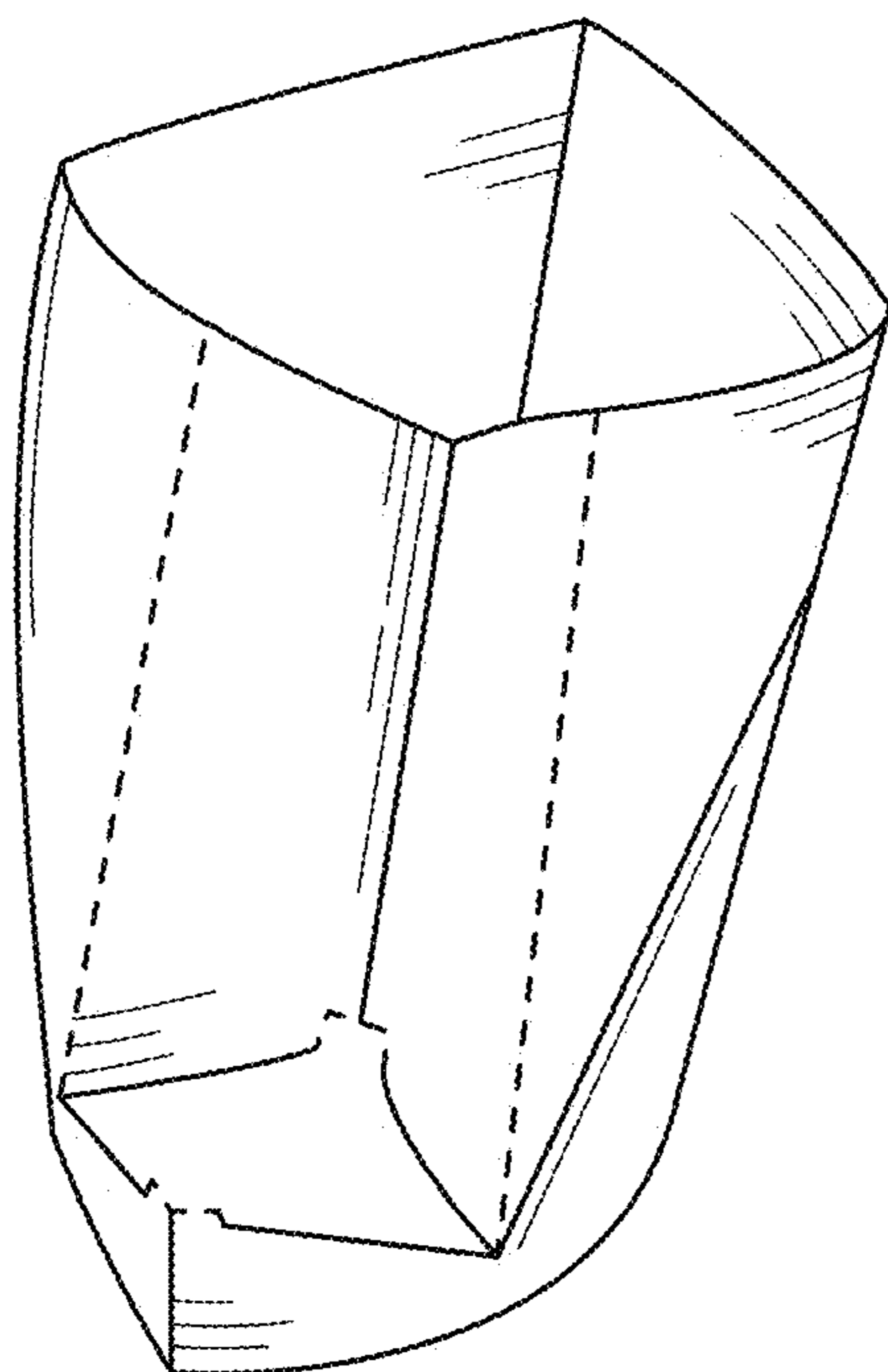


Fig. 10