



US00D707230S

(12) **United States Design Patent**
Castronovo et al.

(10) **Patent No.:** **US D707,230 S**
(45) **Date of Patent:** **** Jun. 17, 2014**

(54) **SUPPORT FOR AN ELECTRONIC APPARATUS**

- (71) Applicant: **Les Moules Precitec Inc.**, Montreal (CA)
- (72) Inventors: **Abbondio Castronovo**, Laval (CA); **Massimo Barone**, Laval (CA); **Antonio Giancola**, Montreal (CA); **Steve Boa**, Montreal (CA); **Nick Chine**, Montreal (CA)
- (73) Assignee: **Les Moules Precitec Inc.**, Montreal (CA)
- (**) Term: **14 Years**
- (21) Appl. No.: **29/433,684**
- (22) Filed: **Oct. 3, 2012**

(30) **Foreign Application Priority Data**

- Apr. 19, 2012 (CA) 145299
 - (51) **LOC (10) Cl.** **08-07**
 - (52) **U.S. Cl.**
USPC **D14/447**
 - (58) **Field of Classification Search**
USPC D14/336, 371-376, 387, 447;
D18/3.1-3.3, 4.1-4.6, 6-8, 11, 12,
D18/12.1-12.3; D21/324, 325, 332;
D99/28, 34-36, 43; 235/1 E, 2, 7 R, 12,
235/22, 33, 51, 52; 705/12, 15-18, 43
- See application file for complete search history.

(56) **References Cited**

U.S. PATENT DOCUMENTS

D244,331 S *	5/1977	Woods	D18/12
D319,459 S *	8/1991	Bleck et al.	D18/6
D323,085 S *	1/1992	Konkel	D18/12
5,366,197 A *	11/1994	Westland	248/456
D356,074 S *	3/1995	Coblentz et al.	D14/457
D536,726 S *	2/2007	Ono	D18/4.6
D563,693 S *	3/2008	Calleja	D6/466
D569,898 S *	5/2008	Masuda	D18/4.5
D594,055 S *	6/2009	Hagiwara et al.	D18/4.5
D619,996 S *	7/2010	Demskie et al.	D14/218

* cited by examiner

Primary Examiner — Elizabeth Albert

(74) *Attorney, Agent, or Firm* — Brouillette & Partners; Francoise Cartier; Robert Brouillette

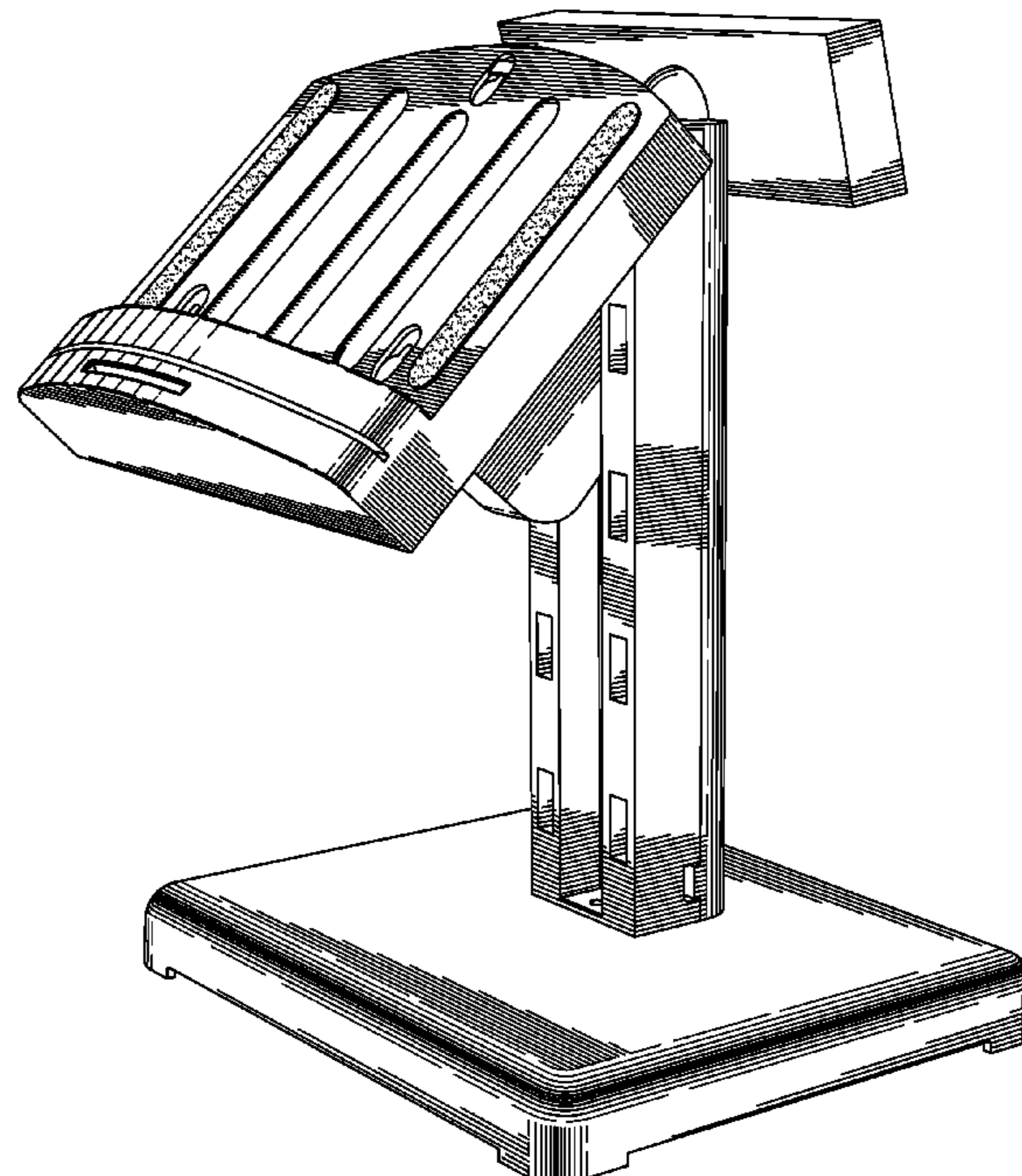
(57) **CLAIM**

The ornamental design for a support for an electronic apparatus, as shown and described.

DESCRIPTION

FIG. 1 is a right perspective view of a support for an electronic apparatus;
 FIG. 2 is a front view of the support for an electronic apparatus;
 FIG. 3 is a right side view of the support for an electronic apparatus;
 FIG. 4 is a top view of the support for an electronic apparatus;
 and,
 FIG. 5 is a rear view of the support for an electronic apparatus. The elements in broken lines in FIGS. 2, 3, and 4 are included for the purpose of showing portions that form no part of the claimed design.

1 Claim, 5 Drawing Sheets



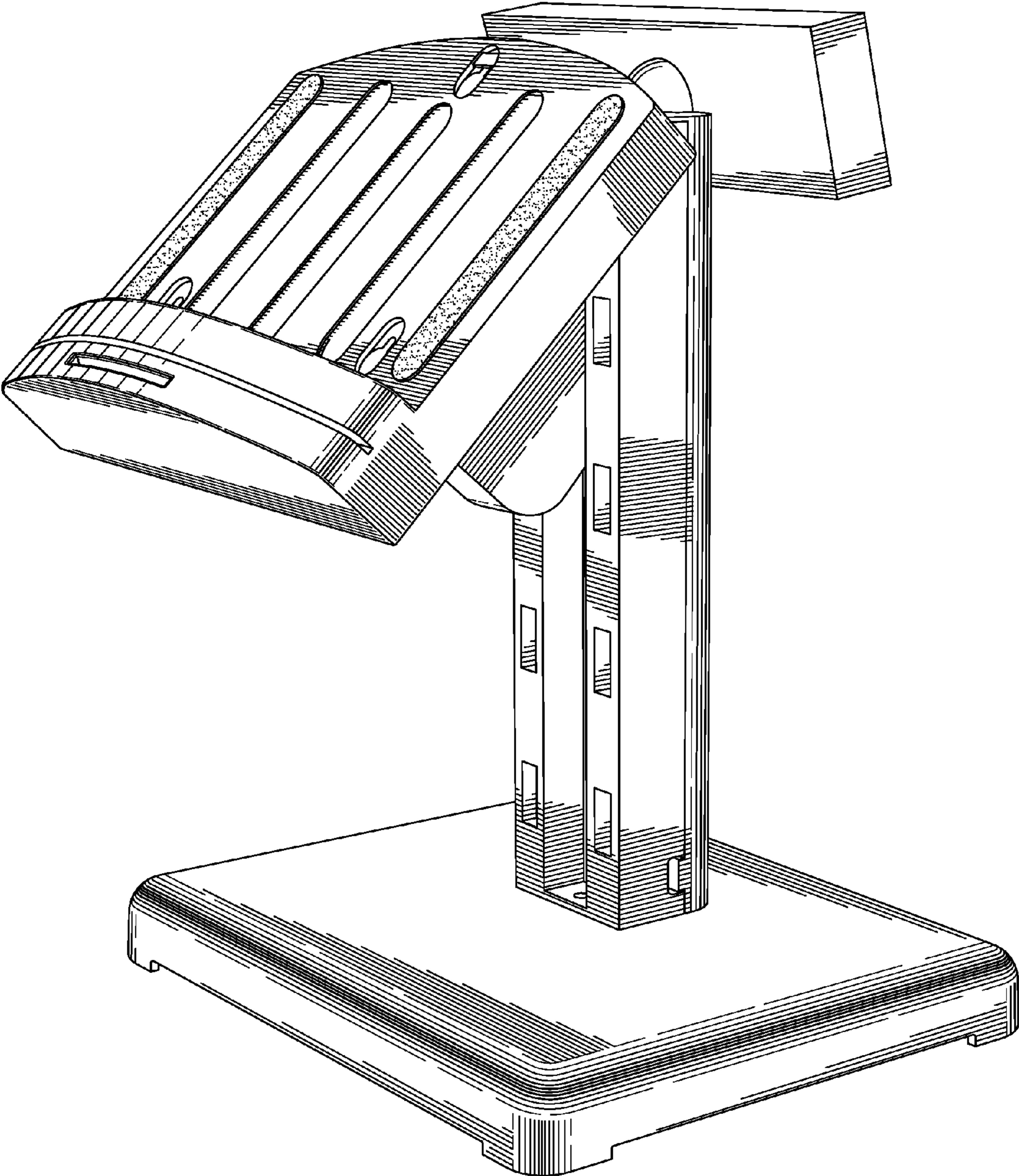


FIG. 1

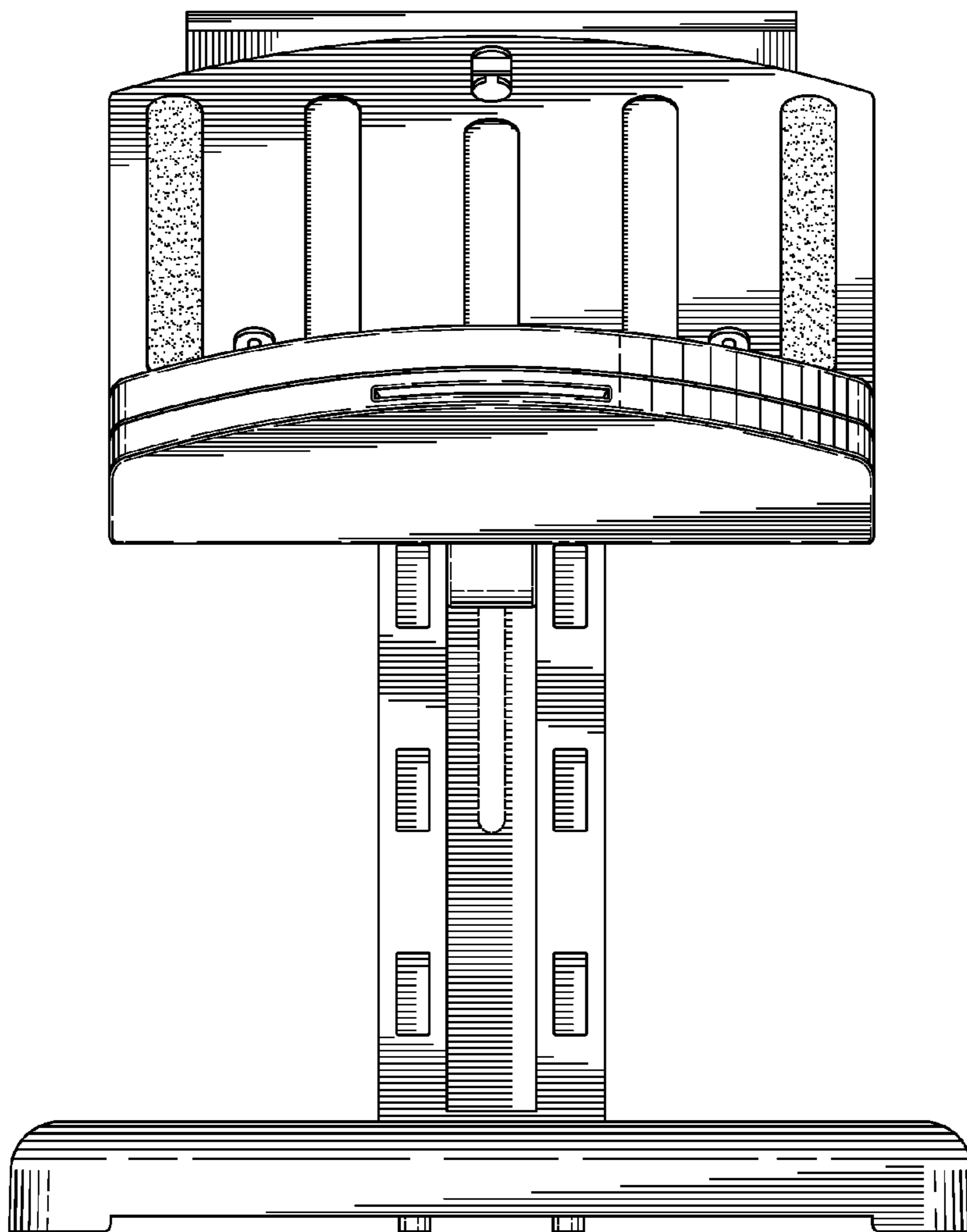


FIG. 2

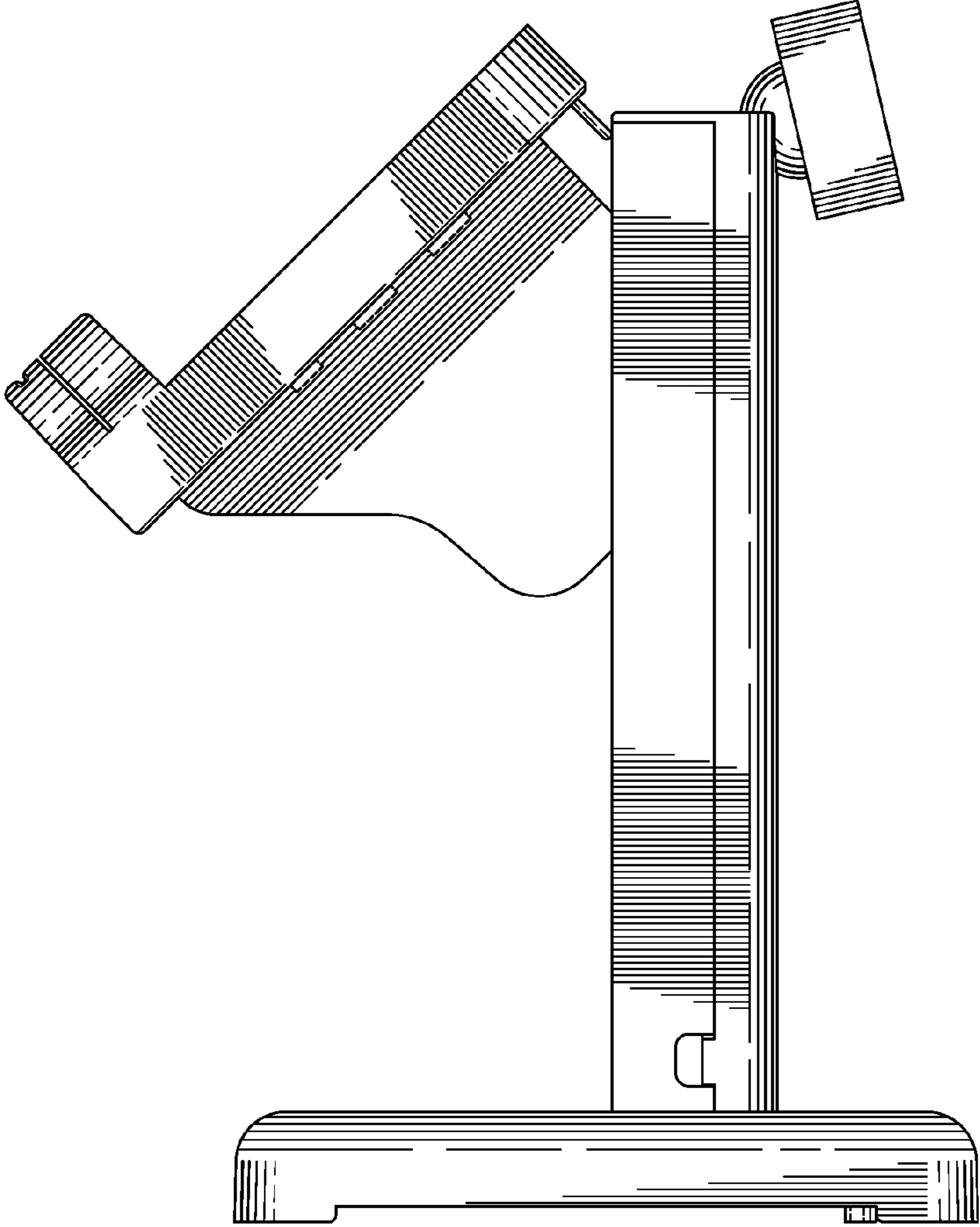


FIG. 3

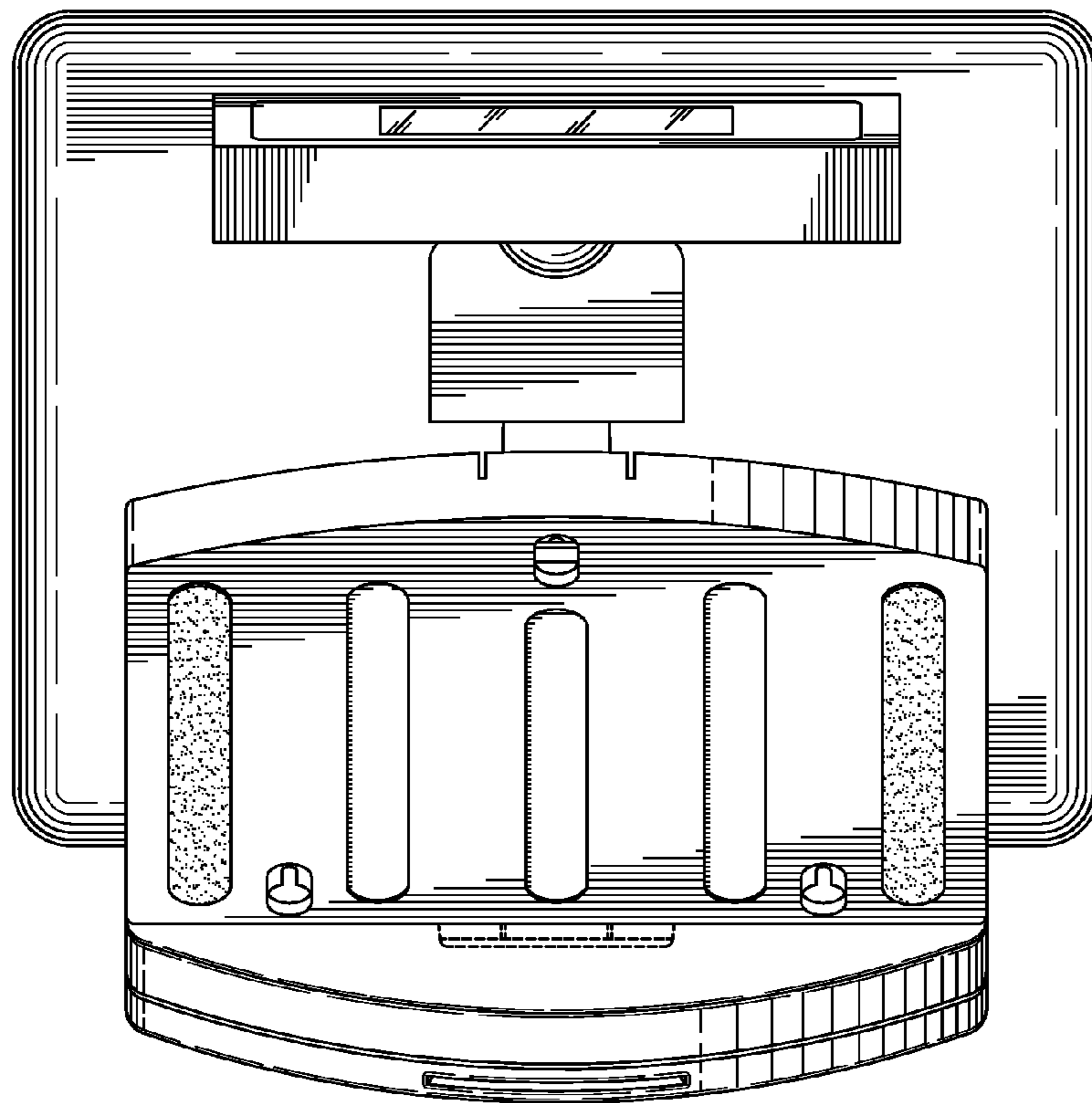


FIG. 4

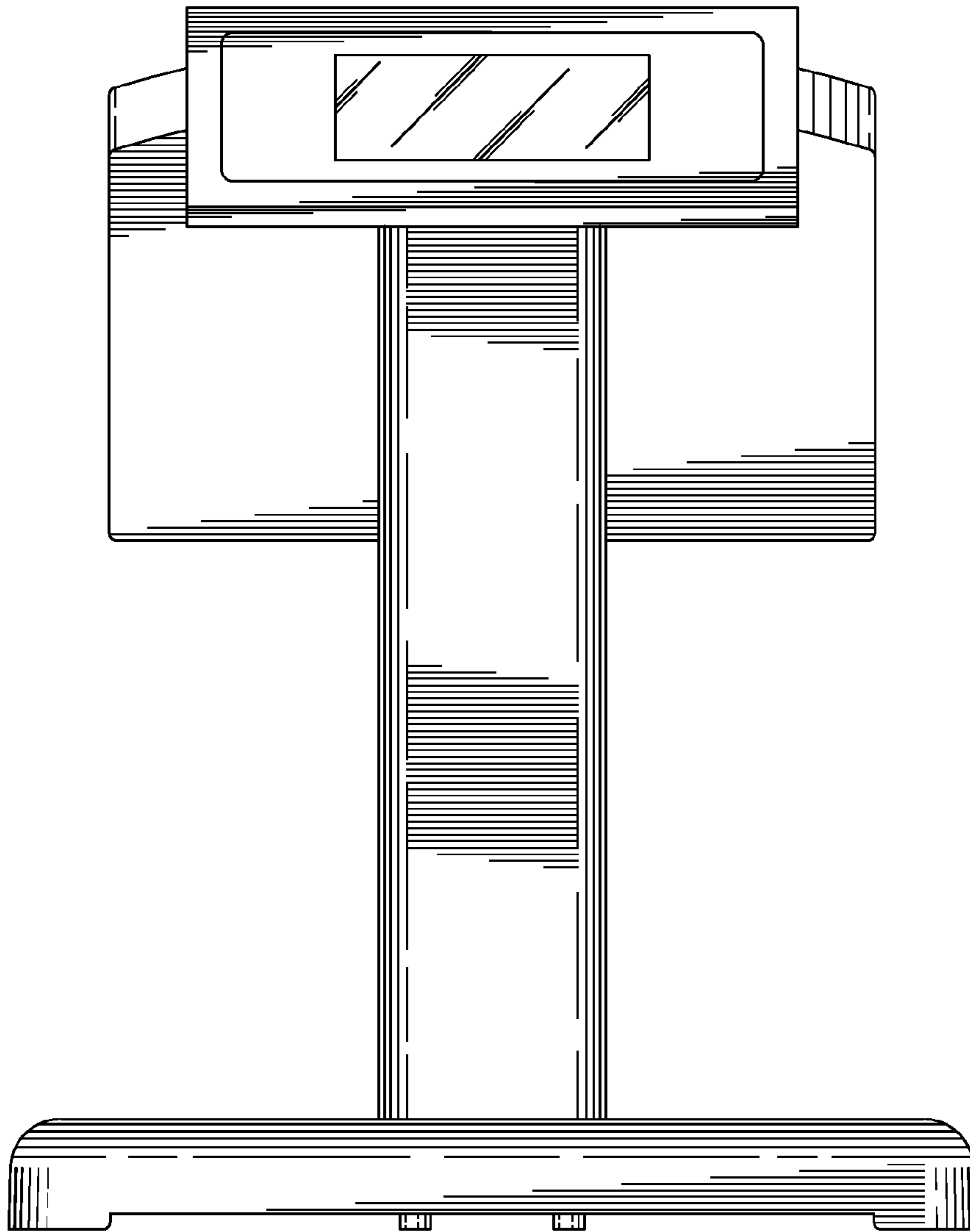


FIG. 5