



US00D707228S

(12) **United States Design Patent**
Ståhl

(10) **Patent No.:** **US D707,228 S**

(45) **Date of Patent:** **** Jun. 17, 2014**

(54) **COMPUTER INPUT DEVICE**

(75) Inventor: **Jonas Ståhl, Åre (SE)**

(73) Assignee: **Penclic AB, Danderyd (SE)**

(**) Term: **14 Years**

(21) Appl. No.: **29/371,809**

(22) Filed: **Oct. 11, 2011**

(30) **Foreign Application Priority Data**

May 3, 2011 (WO) 601068901

(51) **LOC (10) Cl.** **14-02**

(52) **U.S. Cl.**
USPC **D14/416; D14/403**

(58) **Field of Classification Search**
USPC D14/217, 218, 356, 388, 389, 400,
D14/401-403, 408, 411-416, 420, 426,
D14/431-434, 454, 496; D21/324, 332,
D21/333; D34/27, 35; 463/1, 30, 36-38, 46,
463/47; 345/156-161, 905; D12/174,
D12/178-180; D8/300, 303; D15/138, 142;
74/489, 502.2, 523, 551.8, 551.9;
D19/35, 41, 43, 45, 51

See application file for complete search history.

(56) **References Cited**

U.S. PATENT DOCUMENTS

| | | | |
|--------------|---------|--------------------|---------|
| D336,747 S * | 6/1993 | Chao | D14/402 |
| D337,767 S * | 7/1993 | Sogabe et al. | D14/155 |
| D395,894 S * | 7/1998 | Hern et al. | D14/227 |
| D406,581 S * | 3/1999 | Bhatia et al. | D14/431 |
| D470,143 S * | 2/2003 | Uehara | D14/403 |
| D479,842 S * | 9/2003 | Liu et al. | D14/403 |
| D617,797 S * | 6/2010 | Moon et al. | D14/411 |
| D670,701 S * | 11/2012 | Lim et al. | D14/411 |
| D678,282 S * | 3/2013 | Izen et al. | D14/411 |
| D681,647 S * | 5/2013 | Choi | D14/451 |
| D686,621 S * | 7/2013 | Pawlus | D14/411 |

* cited by examiner

Primary Examiner — Keli L Hill

(74) *Attorney, Agent, or Firm* — Harness, Dickey & Pierce, P.L.C.

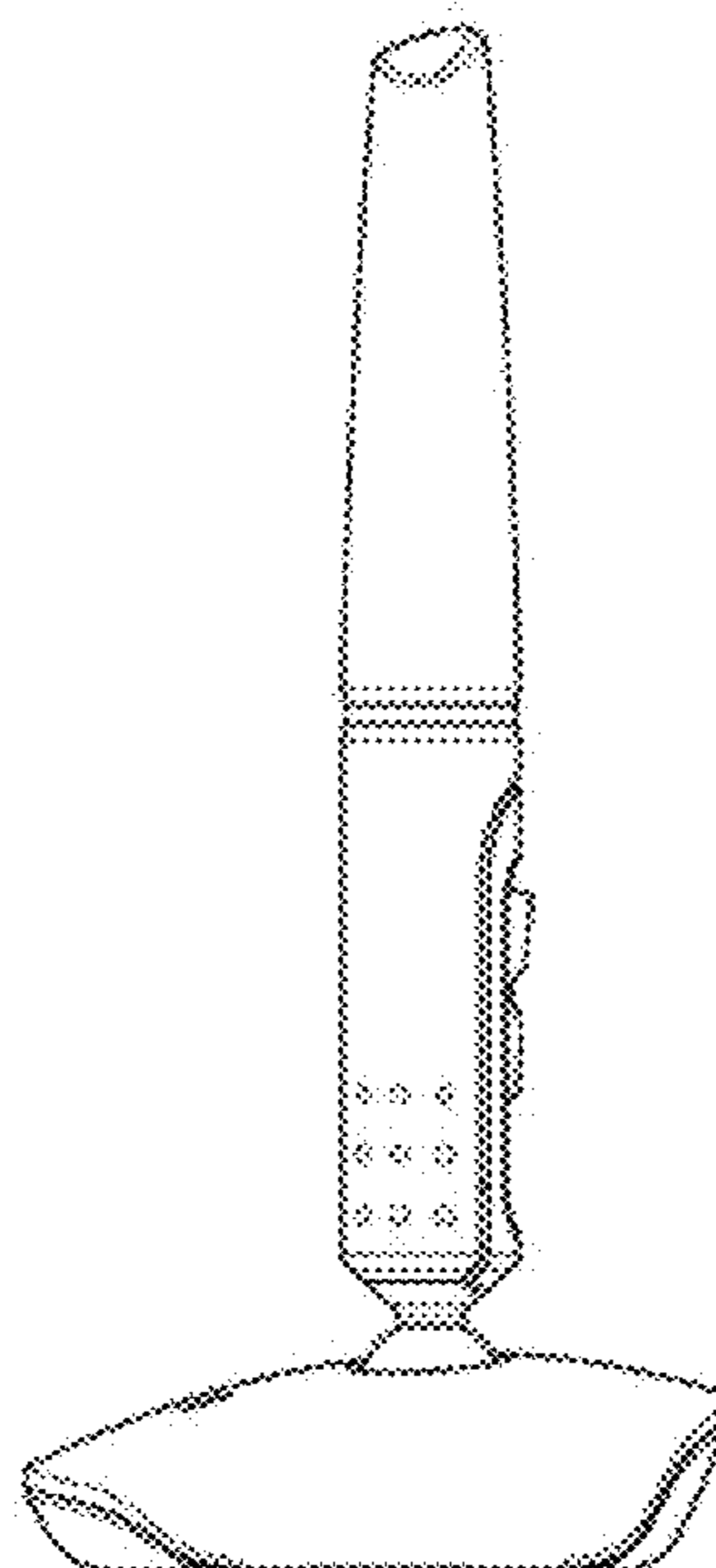
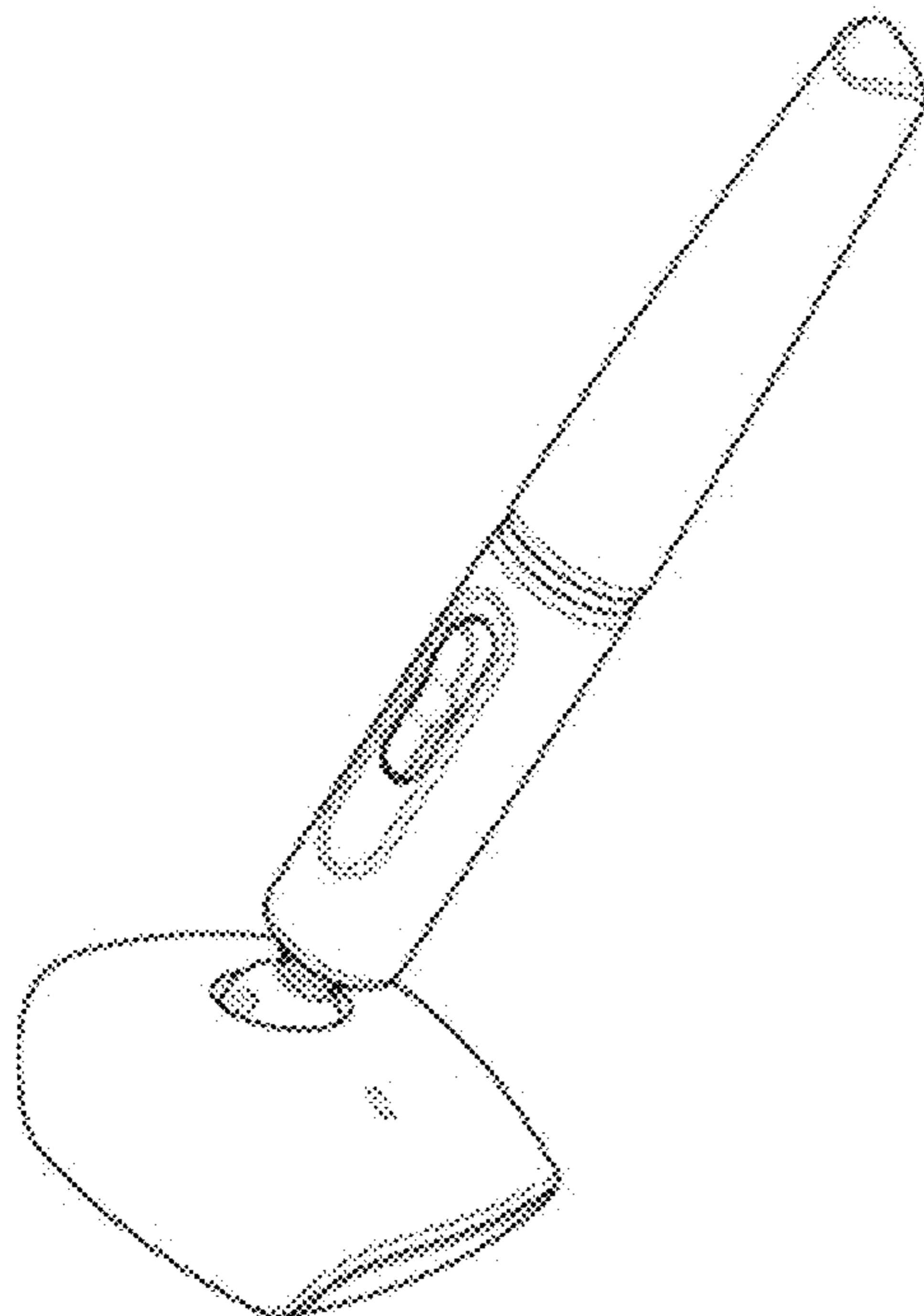
(57) **CLAIM**

The ornamental design for a computer input device, as shown and described.

DESCRIPTION

FIG. 1 is front perspective view of a computer input device showing my new design;
FIG. 2 is a front end view thereof;
FIG. 3 is a right side view thereof;
FIG. 4 is a rear end view thereof;
FIG. 5 is a left side view thereof;
FIG. 6 is a top view thereof;
FIG. 7 is a bottom view thereof; and,
FIG. 8 is a rear perspective view thereof.

1 Claim, 8 Drawing Sheets



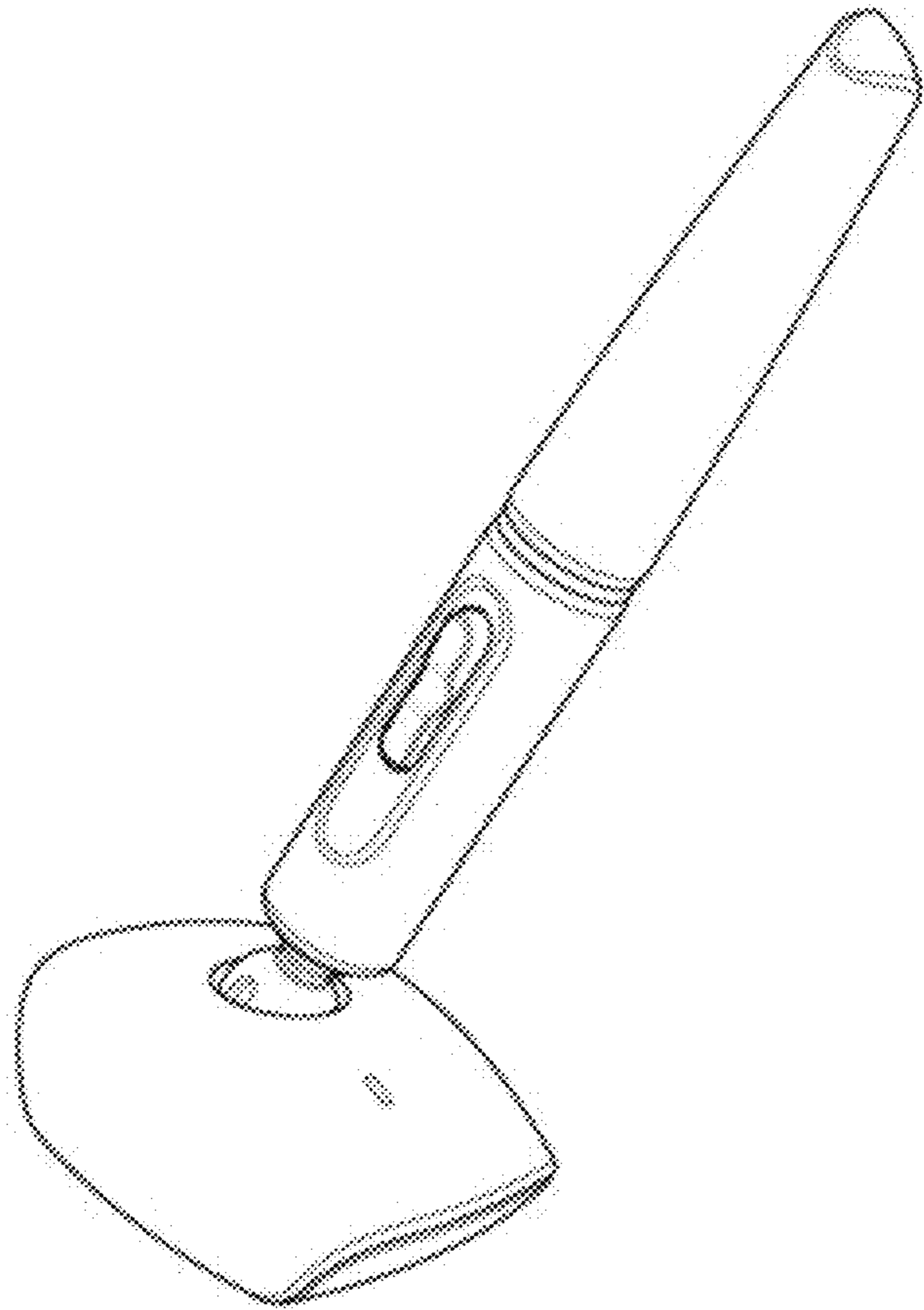


FIG. 1

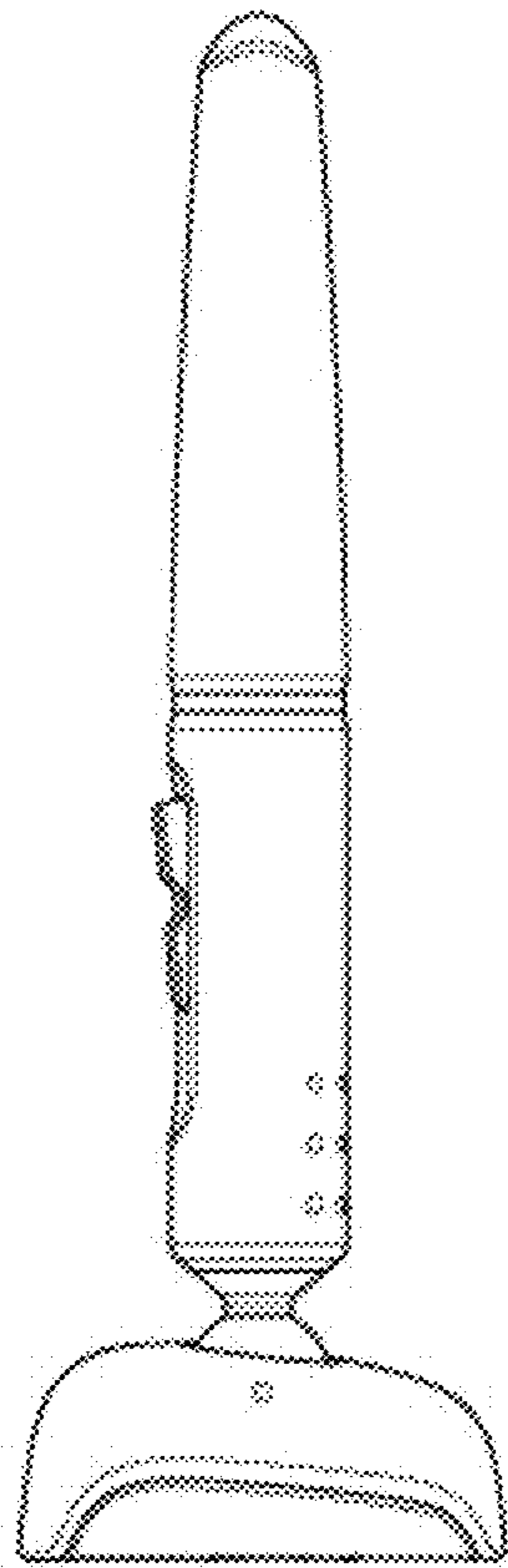


FIG. 2

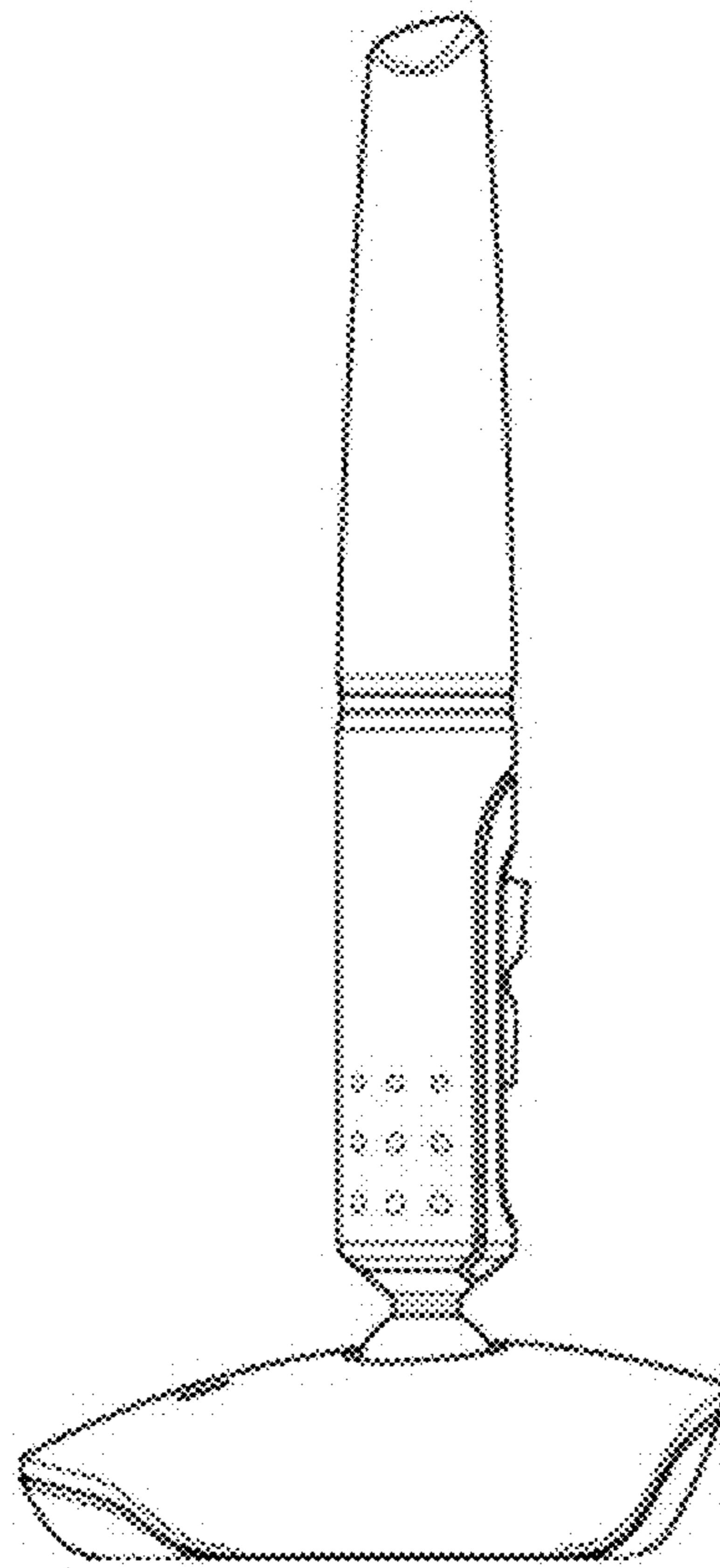


FIG. 3

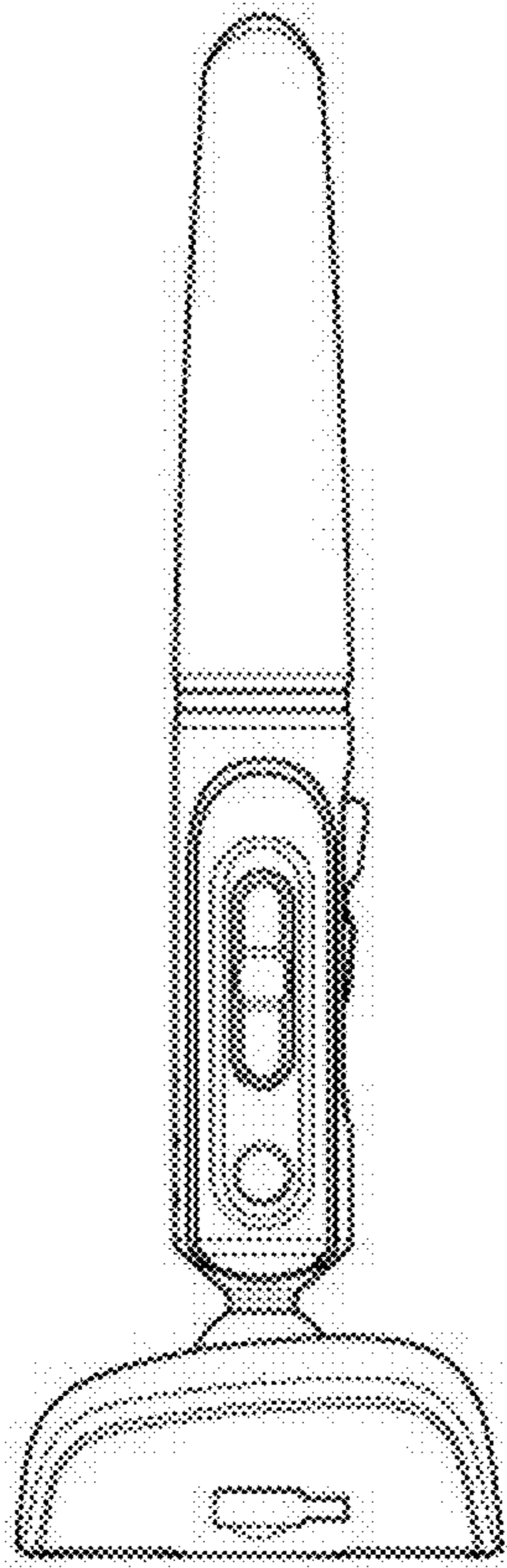


FIG. 4

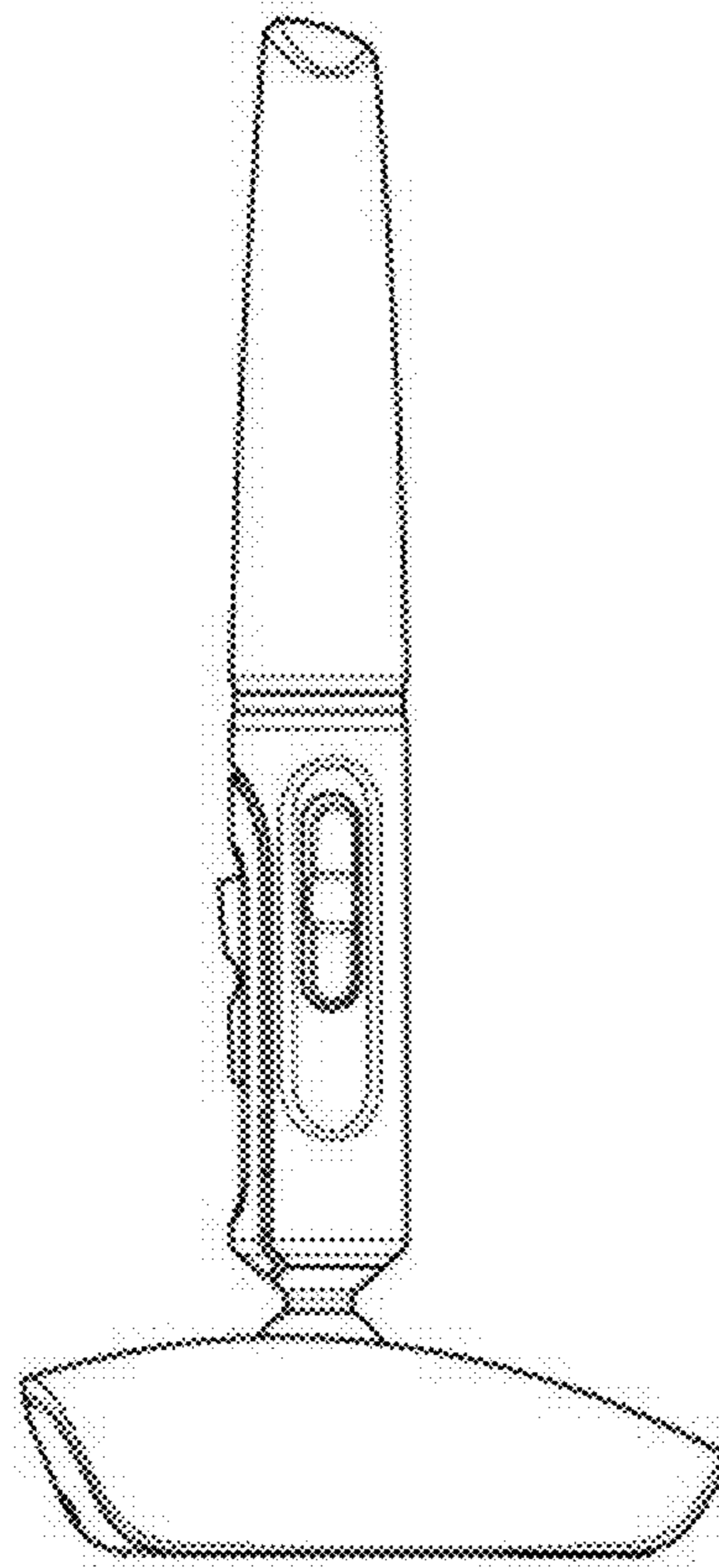


FIG. 5

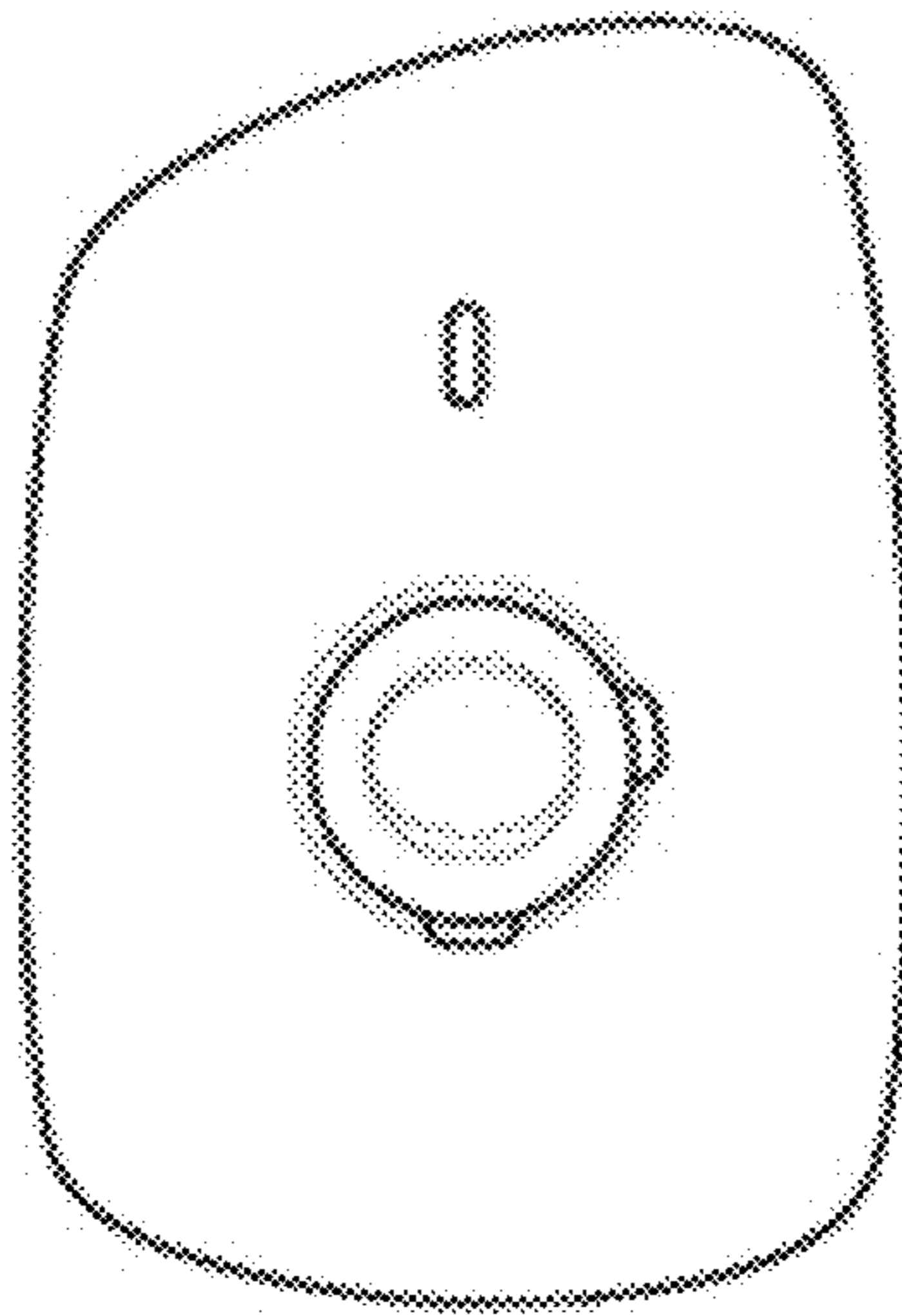


FIG. 6

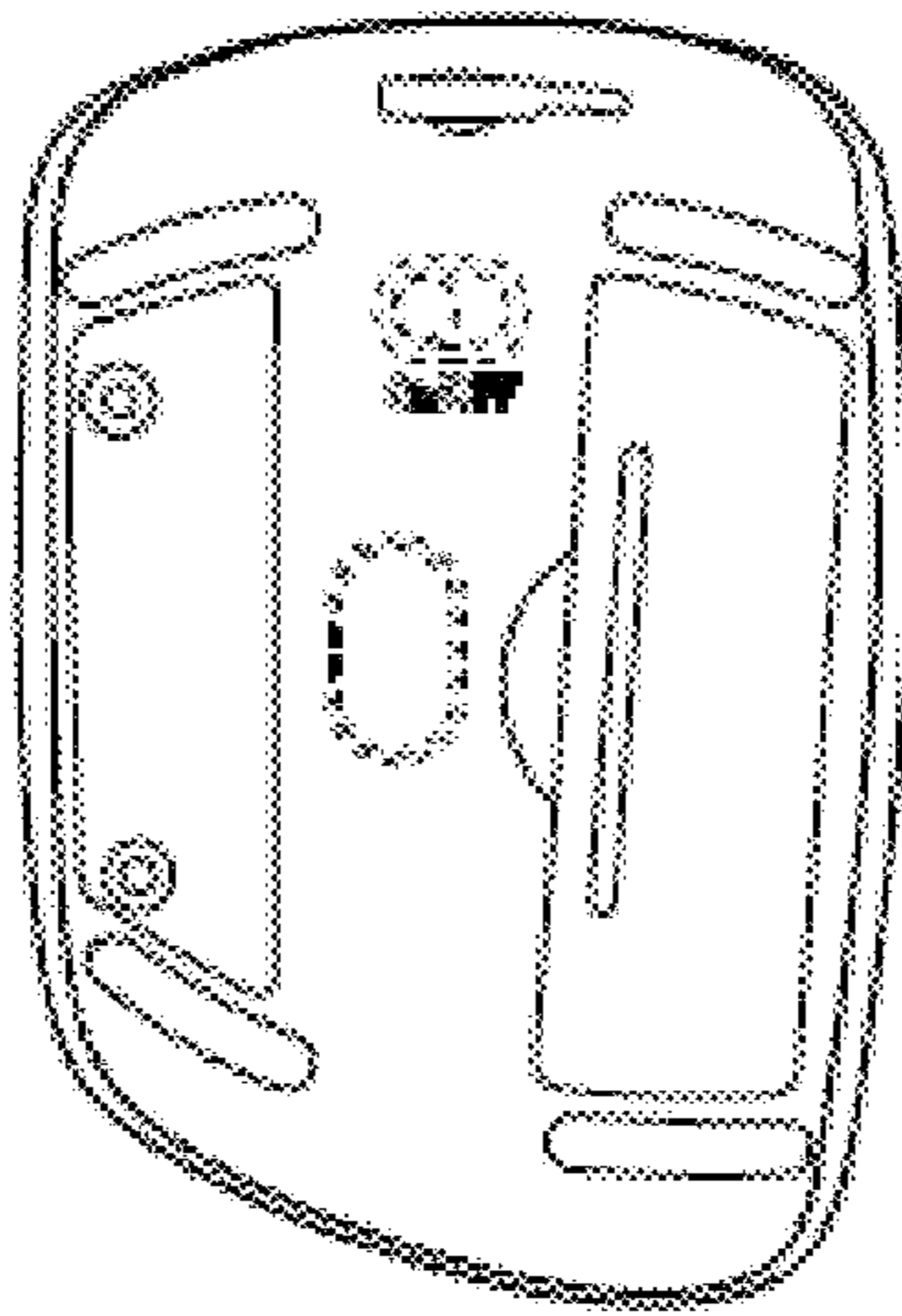


FIG. 7

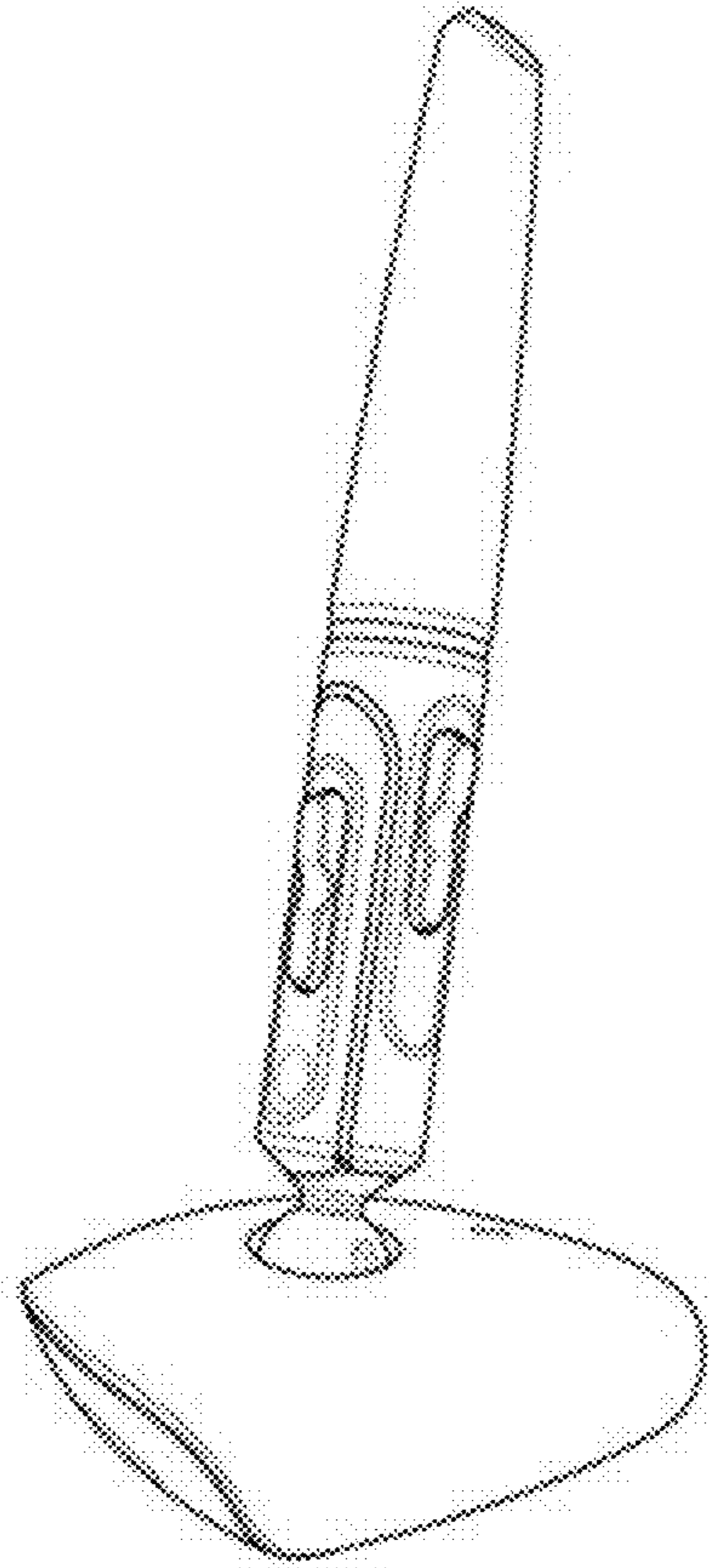


FIG. 8