



US00D707227S

(12) **United States Design Patent**
Chung et al.

(10) **Patent No.:** **US D707,227 S**
(45) **Date of Patent:** **** Jun. 17, 2014**

(54) **STYLUS PEN**

(71) Applicant: **Samsung Electronics Co., Ltd.**,
Suwon-si (KR)

(72) Inventors: **Eun-Vit Chung**, Seoul (KR);
Chul-Yong Cho, Seoul (KR); **Sang-Min Hyun**, Seoul (KR); **Dae-Kyung Ahn**,
Seoul (KR)

(73) Assignee: **Samsung Electronics Co., Ltd.**,
Suwon-si (KR)

(**) Term: **14 Years**

(21) Appl. No.: **29/473,497**

(22) Filed: **Nov. 22, 2013**

(30) **Foreign Application Priority Data**

May 24, 2013 (KR) 30-2013-0026992

(51) **LOC (10) Cl.** **14-02**

(52) **U.S. Cl.**
USPC **D14/411**

(58) **Field of Classification Search**
USPC D8/61; D14/411; D19/35, 36, 41-51,
D19/54-58; 401/55, 99, 100, 104-107, 196,
401/197, 202, 208, 209, 213, 192, 195,
401/243; 708/107; 345/179, 173;
178/19.01; 700/94

See application file for complete search history.

(56) **References Cited**

U.S. PATENT DOCUMENTS

D395,875 S * 7/1998 Aiken et al. D14/411

D472,240 S * 3/2003 Seog D14/411
D487,746 S * 3/2004 Fitch et al. D14/411
D588,638 S * 3/2009 Busri D19/36
D667,828 S * 9/2012 Park D14/411
D691,137 S * 10/2013 Yeon et al. D14/411
D692,889 S * 11/2013 So D14/411
D694,237 S * 11/2013 Momose et al. D14/411

* cited by examiner

Primary Examiner — Austin Murphy

(74) *Attorney, Agent, or Firm* — NSIP Law

(57) **CLAIM**

The ornamental design for a stylus pen, as shown and described.

DESCRIPTION

FIG. 1 is a front perspective view of a stylus pen showing our new design;

FIG. 2 is a front view thereof;

FIG. 3 is a rear view thereof;

FIG. 4 is a left-side view thereof;

FIG. 5 is a right-side view thereof;

FIG. 6 is a top view thereof;

FIG. 7 is a bottom view thereof;

FIG. 8 is another perspective view of the stylus pen, in which an electronic device in broken line is provided to illustrate an example environment;

FIG. 9 is another top view of the stylus pen, shown in a position of use positioned within an electronic device. The electronic device is unclaimed and is shown in broken lines; and,

FIG. 10 is an exploded view of FIG. 9.

The broken lines are for environmental purposes only and form no part of the claimed design.

1 Claim, 7 Drawing Sheets

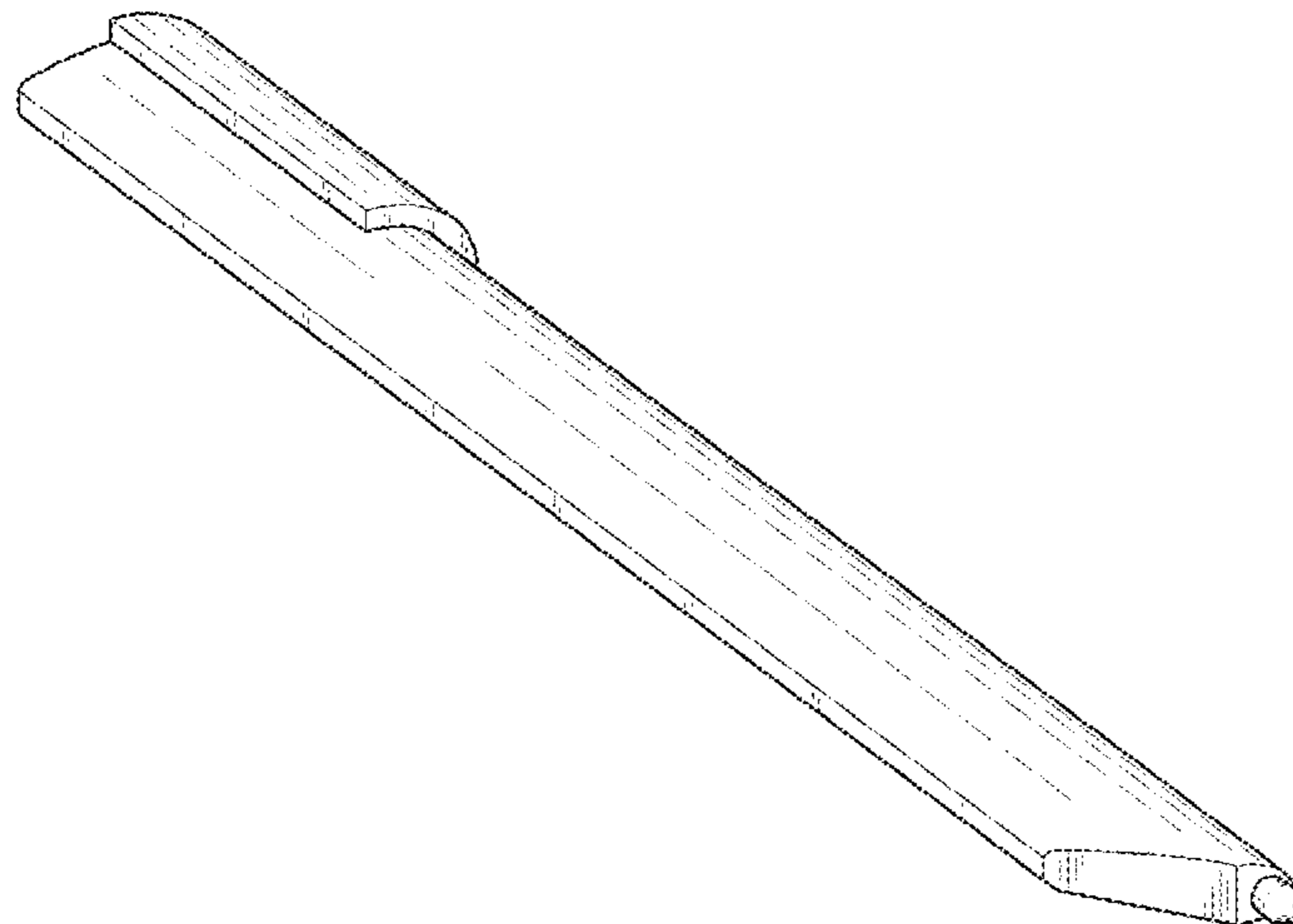


FIG. 1

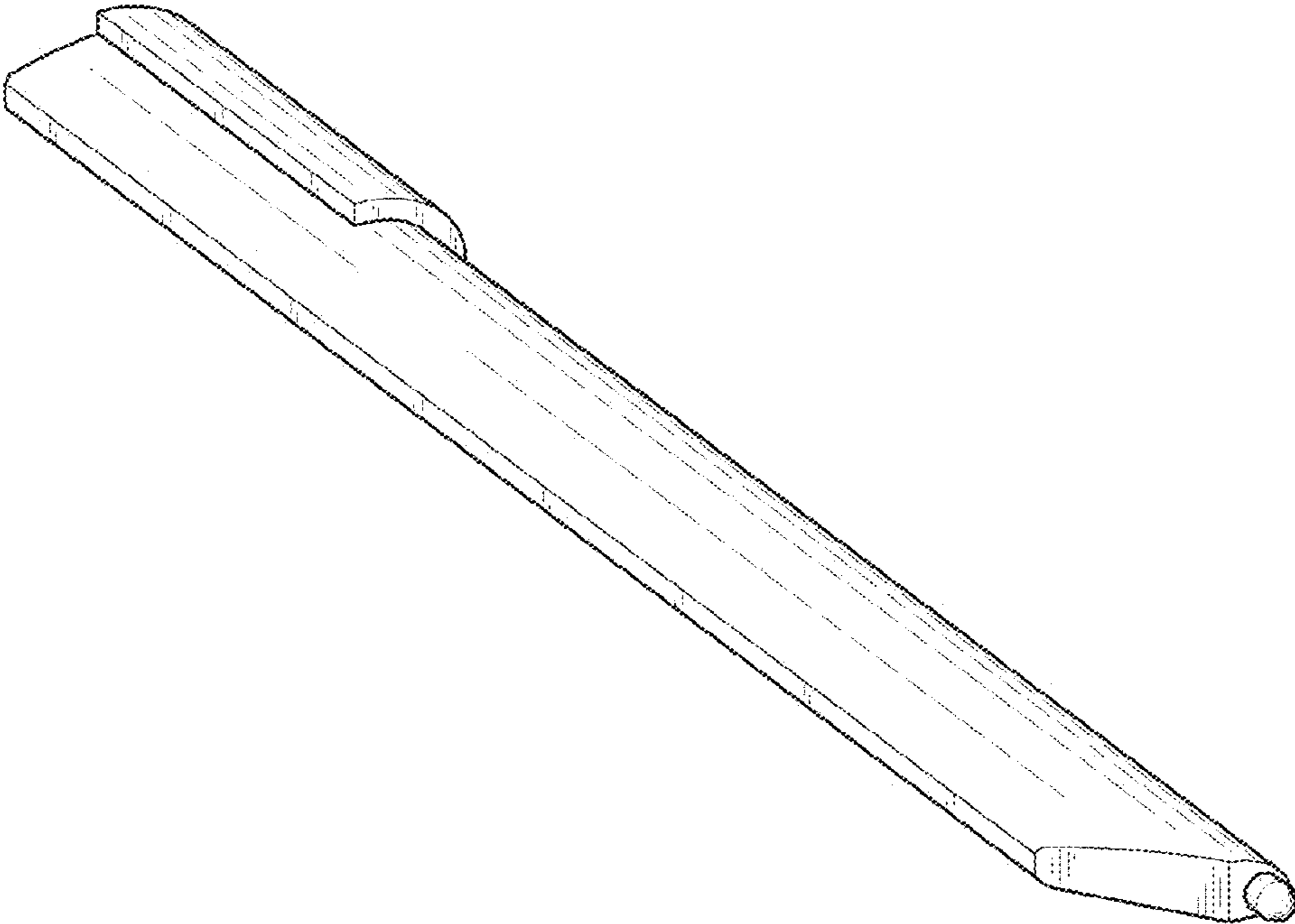


FIG. 2

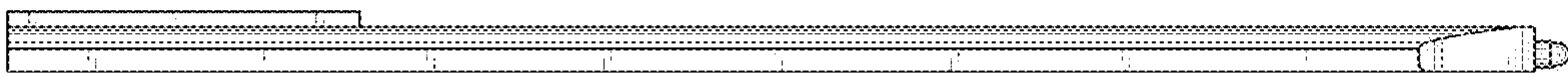


FIG. 3

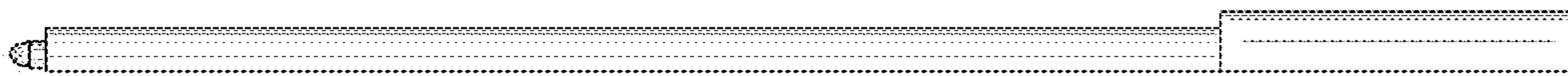


FIG. 4



FIG. 5

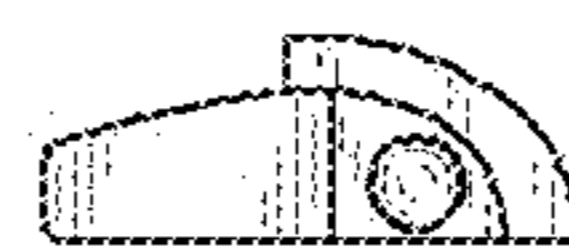


FIG. 6

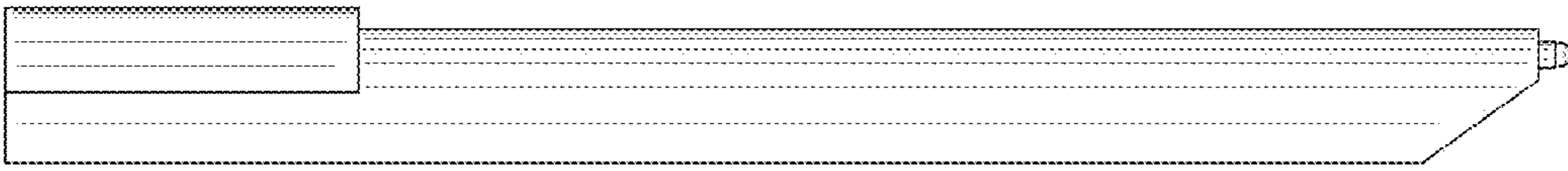


FIG. 7

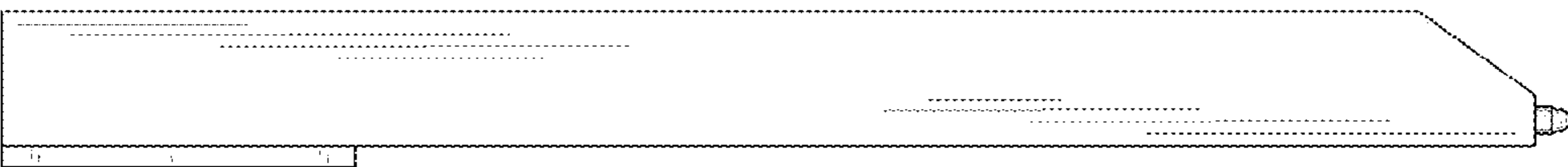


FIG. 8

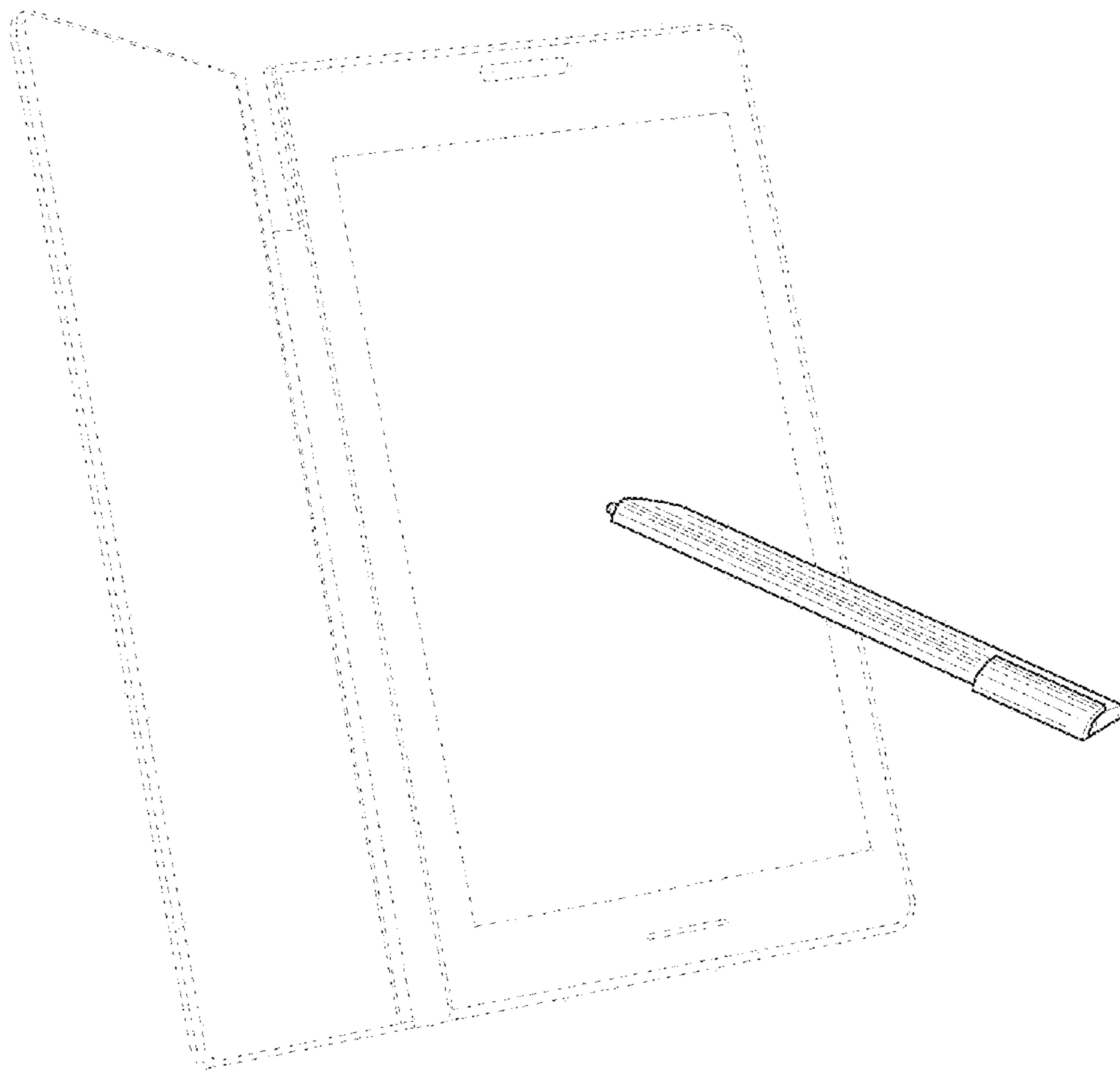


FIG. 9

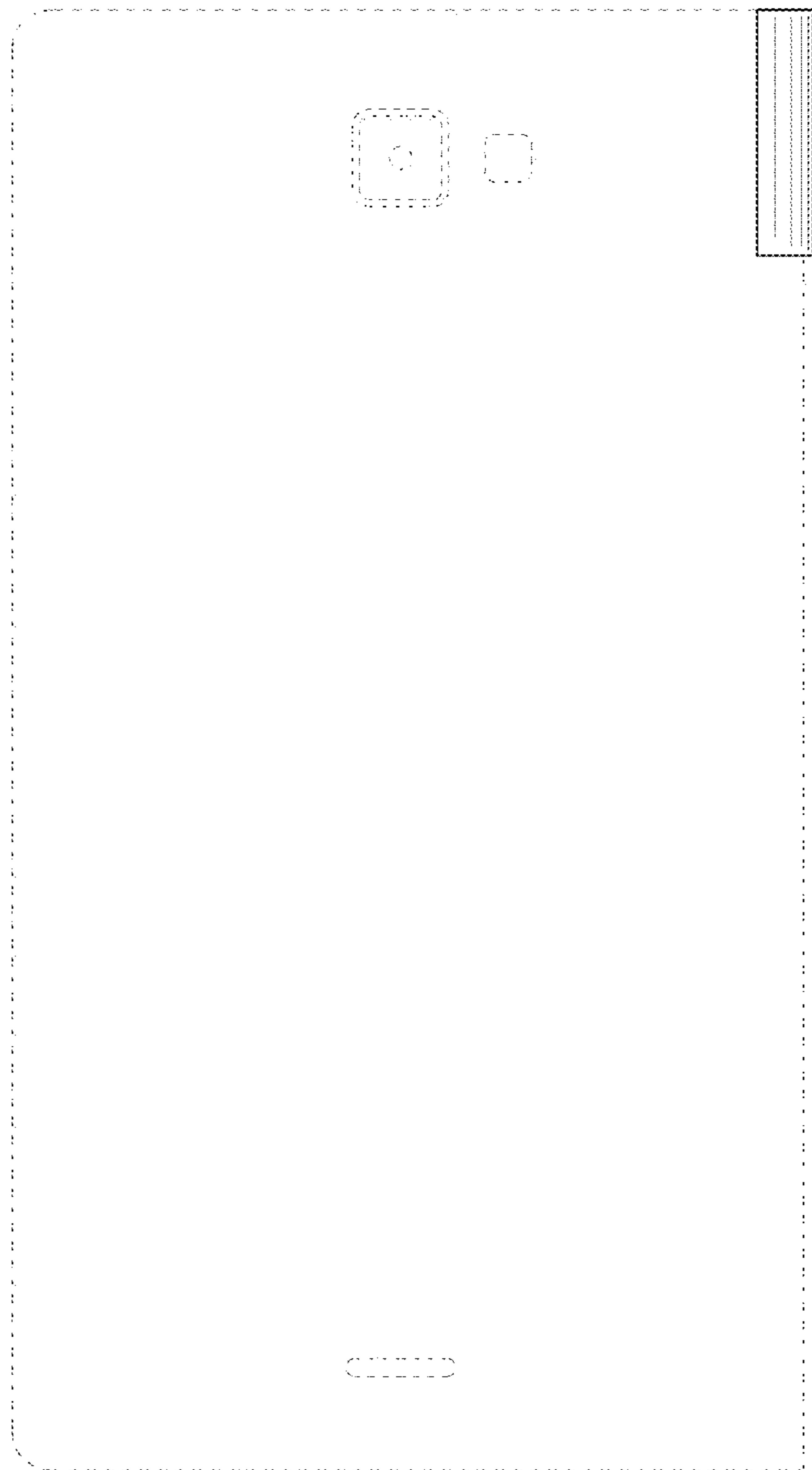


FIG. 10

