



US00D707224S

(12) **United States Design Patent**
Bae et al.

(10) **Patent No.:** **US D707,224 S**
(45) **Date of Patent:** **** Jun. 17, 2014**

(54) **COMPUTER CASE**

(71) Applicant: **Zalman Tech Co., Ltd.**, Seoul (KR)

(72) Inventors: **Hyeong Uk Bae**, Seoul (KR); **Jong Seung Park**, Seoul (KR)

(73) Assignee: **Zalman Tech Co., Ltd.**, Seoul (KR)

(**) Term: **14 Years**

(21) Appl. No.: **29/458,451**

(22) Filed: **Jun. 19, 2013**

(30) **Foreign Application Priority Data**

Dec. 21, 2012 (KR) 30-2012-0061763

(51) **LOC (10) Cl.** **14-02**

(52) **U.S. Cl.**
USPC **D14/349; D14/444**

(58) **Field of Classification Search**
USPC 263/300, 308, 348-358, 365; D13/162,
D13/184, 199; 312/223.1-223.3, 351.11;
360/99.01-99.12; 369/34.01-36.01;
361/679.6, 679.31-679.33

See application file for complete search history.

(56) **References Cited**

U.S. PATENT DOCUMENTS

5,867,369	A *	2/1999	Antonuccio et al.	361/796
D435,559	S *	12/2000	Tanaka	D14/444
6,549,398	B2 *	4/2003	Chen	361/679.58
D481,385	S *	10/2003	Tanaka	D14/308
D537,076	S *	2/2007	Lauffer et al.	D14/349
D575,779	S *	8/2008	Dearborn et al.	D14/349
D625,718	S *	10/2010	Lee et al.	D14/349

* cited by examiner

Primary Examiner — Freda S Nunn

(74) *Attorney, Agent, or Firm* — Abelman, Frayne & Schwab

(57) **CLAIM**

The ornamental design for a computer case, as shown and described.

DESCRIPTION

FIG. 1 is a top, front and left side perspective view of a computer case according to the present invention;

FIG. 2 is a front view thereof;

FIG. 3 is a left side view thereof;

FIG. 4 is a right side view thereof; and,

FIG. 5 is a top view thereof.

The rear and bottom of the computer case are not visible during normal use and the portions of the case that are shown in broken lines form no part of the claimed design.

1 Claim, 5 Drawing Sheets

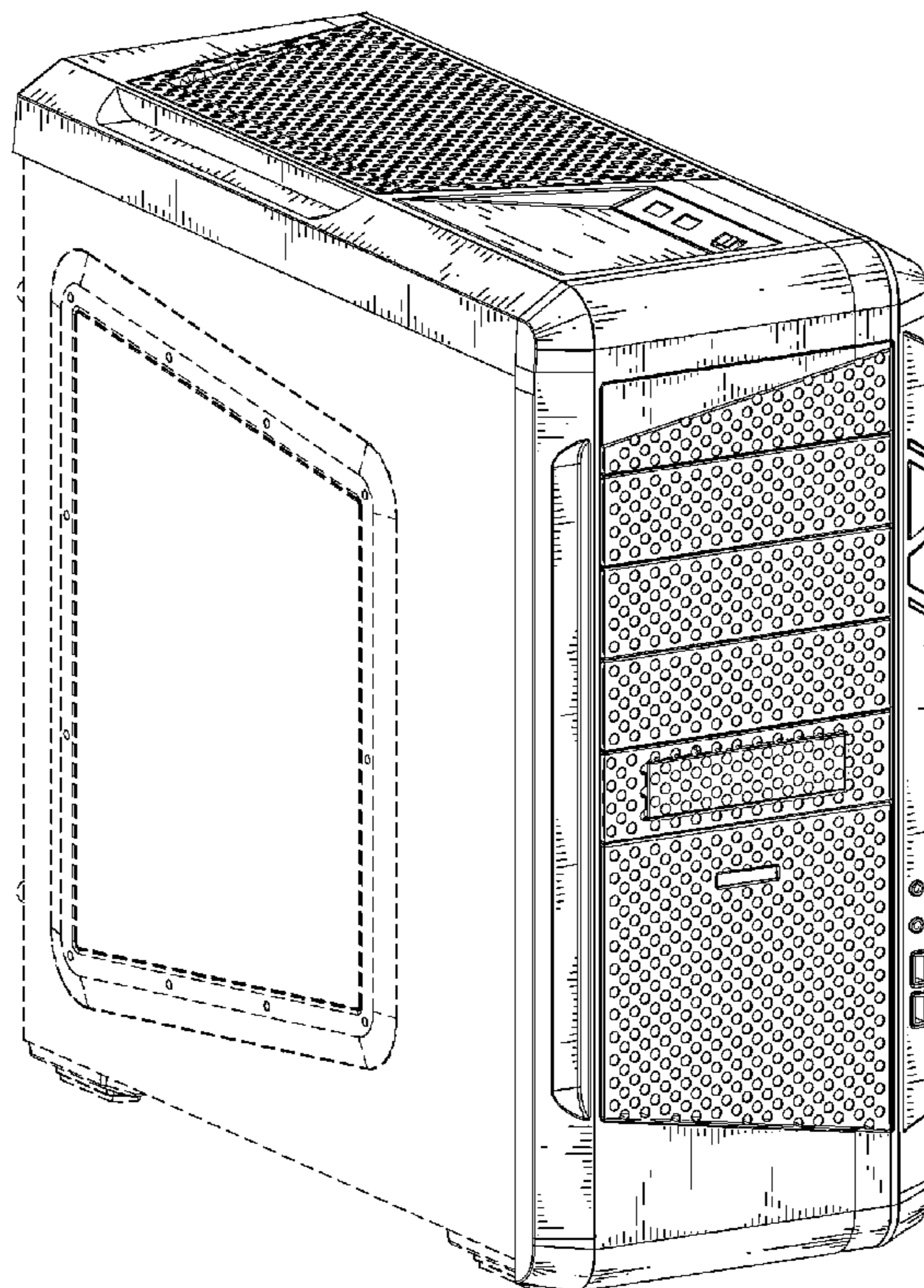


FIG. 1

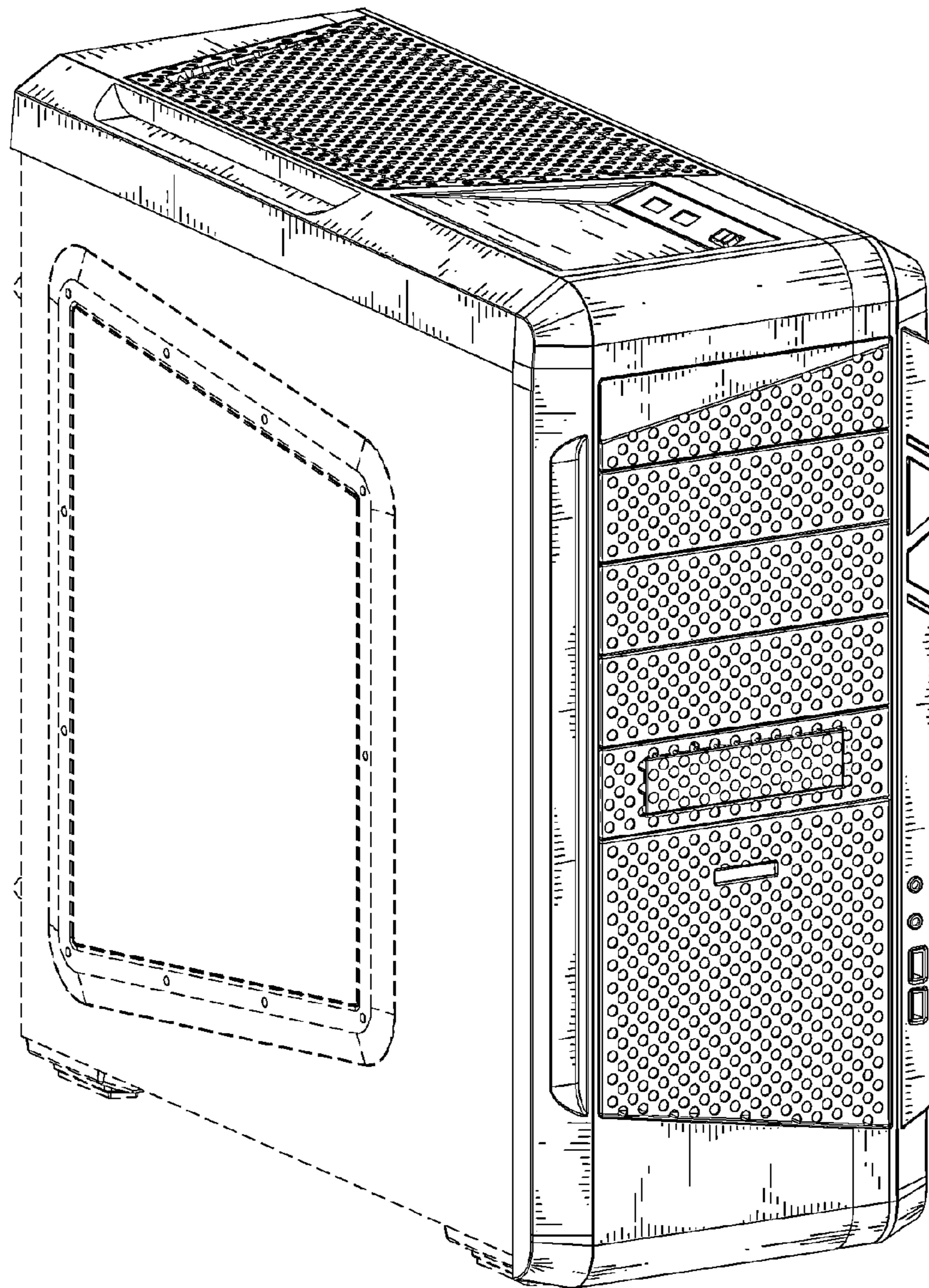


FIG. 2

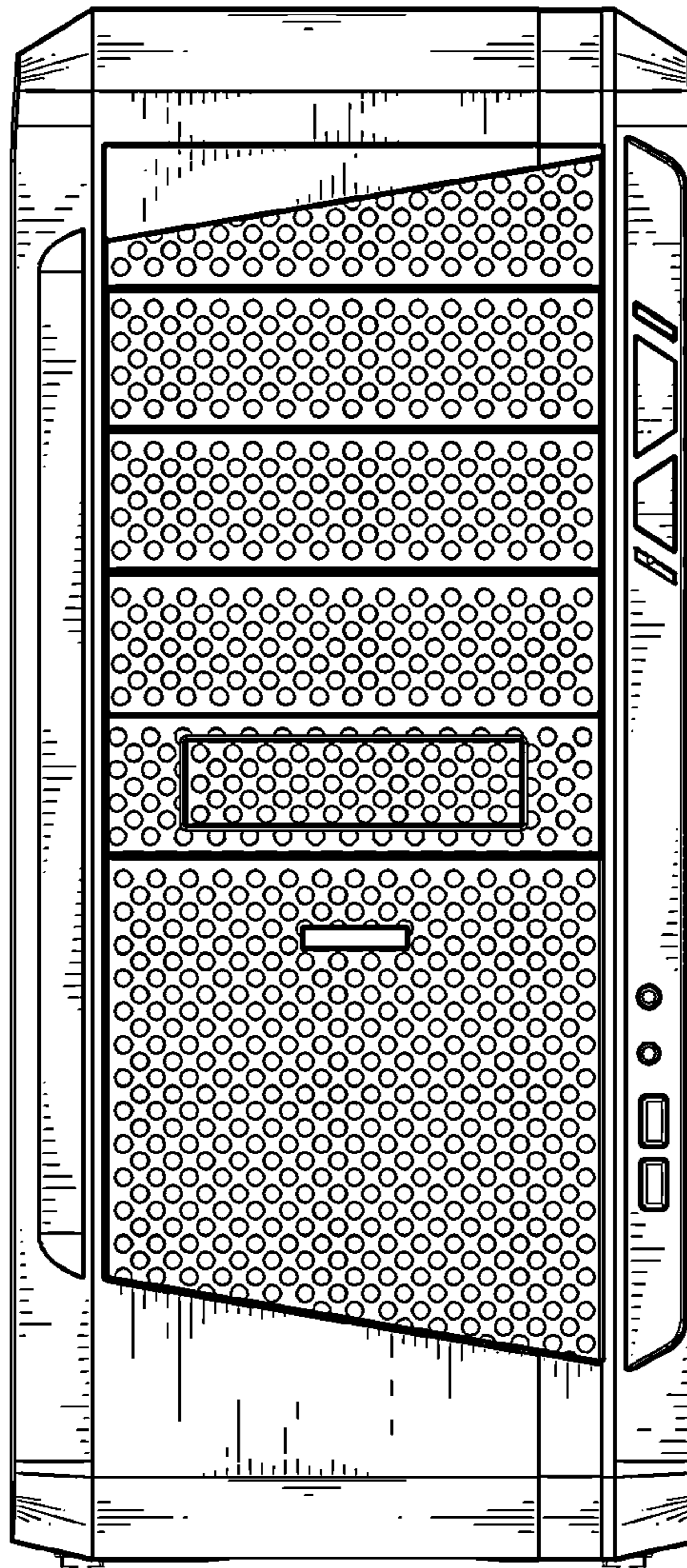


FIG. 3

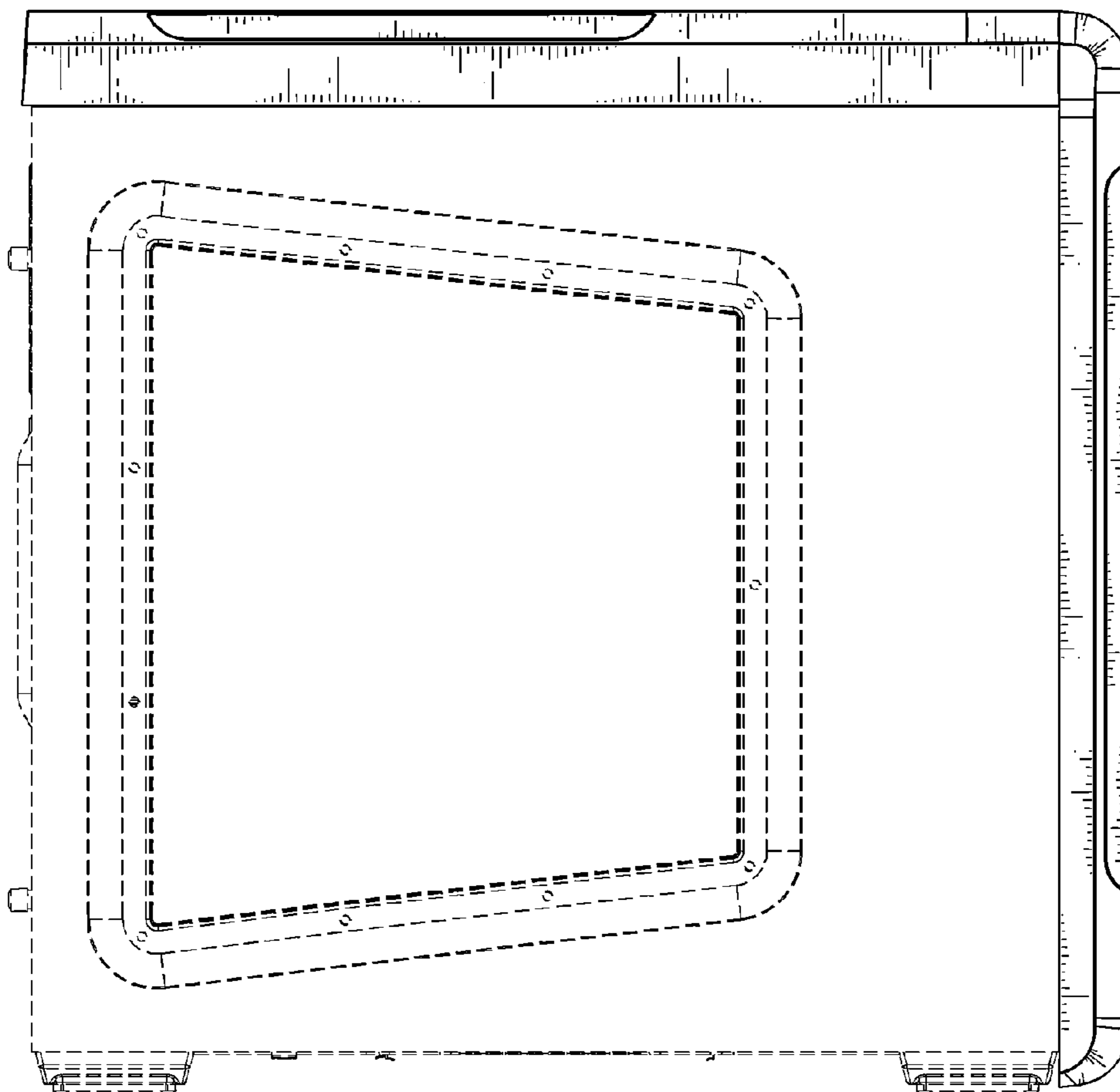


FIG. 4

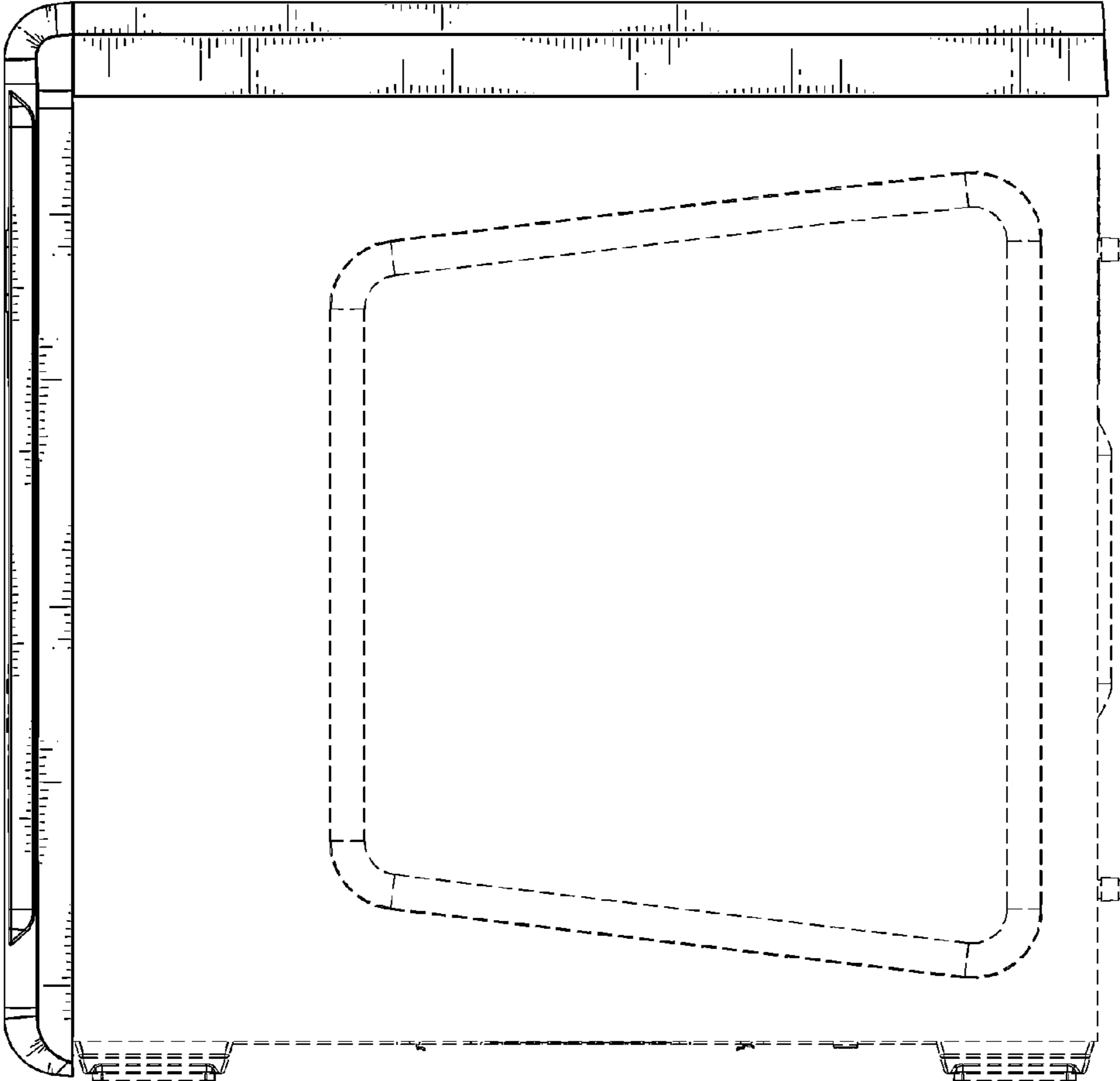


FIG. 5

