



US00D707221S

(12) **United States Design Patent**
Hodapp

(10) **Patent No.:** **US D707,221 S**
(45) **Date of Patent:** **** Jun. 17, 2014**

(54) **CELLPHONE HOLDER**

(71) Applicant: **Edward Ellis Hodapp**, Temecula, CA
(US)

(72) Inventor: **Edward Ellis Hodapp**, Temecula, CA
(US)

(**) Term: **14 Years**

(21) Appl. No.: **29/480,660**

(22) Filed: **Jan. 28, 2014**

(51) **LOC (10) Cl.** **14-03**

(52) **U.S. Cl.**
USPC **D14/253**

(58) **Field of Classification Search**
USPC D14/217, 238.1, 243, 250–253, 434,
D14/440, 447, 496, 203.3–203.7, 248, 240,
D14/341–347; D3/201, 215, 218, 269, 273,
D3/301, 303; D19/90; D6/553; 455/575.1,
455/575.8; 206/305, 320; 320/108, 115;
429/96; 220/4.02; 150/165;
361/679.56, 679.3, 679.25, 816;
379/426, 446, 455, 433.1; 248/309.1,
248/371, 176.3, 668

See application file for complete search history.

(56) **References Cited**

U.S. PATENT DOCUMENTS

D179,993 S *	4/1957	Waxman	D14/252
D254,068 S *	1/1980	Haley	D14/253
D254,069 S *	1/1980	Haley	D14/253
D317,157 S *	5/1991	Jondelius	D14/253
D465,646 S *	11/2002	Hendrickson	D3/218
D550,953 S *	9/2007	Yang et al.	D3/218
D596,172 S *	7/2009	Ahlqvist	D14/251

D608,356 S *	1/2010	Peyridieu	D14/253
D655,702 S *	3/2012	Saxton	D14/253
D668,496 S *	10/2012	Ho et al.	D6/553
D683,954 S *	6/2013	Izen et al.	D3/218
D689,045 S *	9/2013	Mardas	D14/253
D690,108 S *	9/2013	Goodman et al.	D3/306

* cited by examiner

Primary Examiner — Susan Bennett Hattan

Assistant Examiner — Janice Hallmark

(74) *Attorney, Agent, or Firm* — Loyal McKinley Hanson

(57) **CLAIM**

I claim the ornamental design for a cellphone holder, as shown and described.

DESCRIPTION

FIG. 1 of the drawings is an isometric view showing the front, the top, and a first side of a cellphone holder embodying the design of my invention;

FIG. 2 is a front elevation view of the cellphone holder;

FIG. 3 is a back elevation view of the cellphone holder;

FIG. 4 is a left side elevation view showing the first side of the cellphone holder;

FIG. 5 is a right side elevation view showing a second side of the cellphone holder;

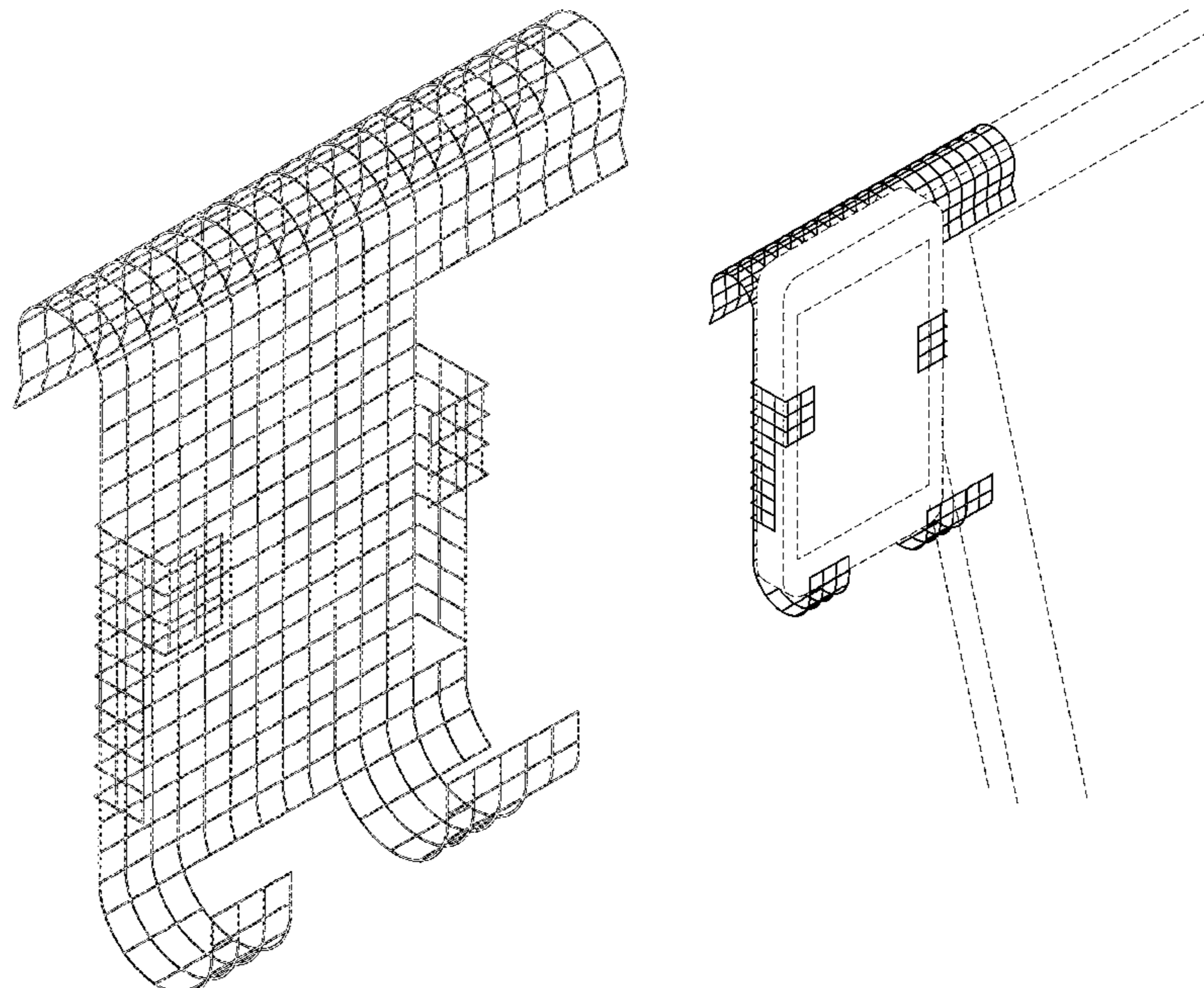
FIG. 6 is a top plan view;

FIG. 7 is a bottom view; and,

FIG. 8 is a reduced-in-scale environmental view showing the cellphone holder in its typical environment, with the cellphone holder clipped onto a top marginal edge portion of a computer video display shown in broken lines, where it is holding a cellphone shown in broken lines.

The portions shown in broken lines in FIG. 8 depict environmental subject matter and are for illustrative purposes only and form no part of the claimed design.

1 Claim, 6 Drawing Sheets



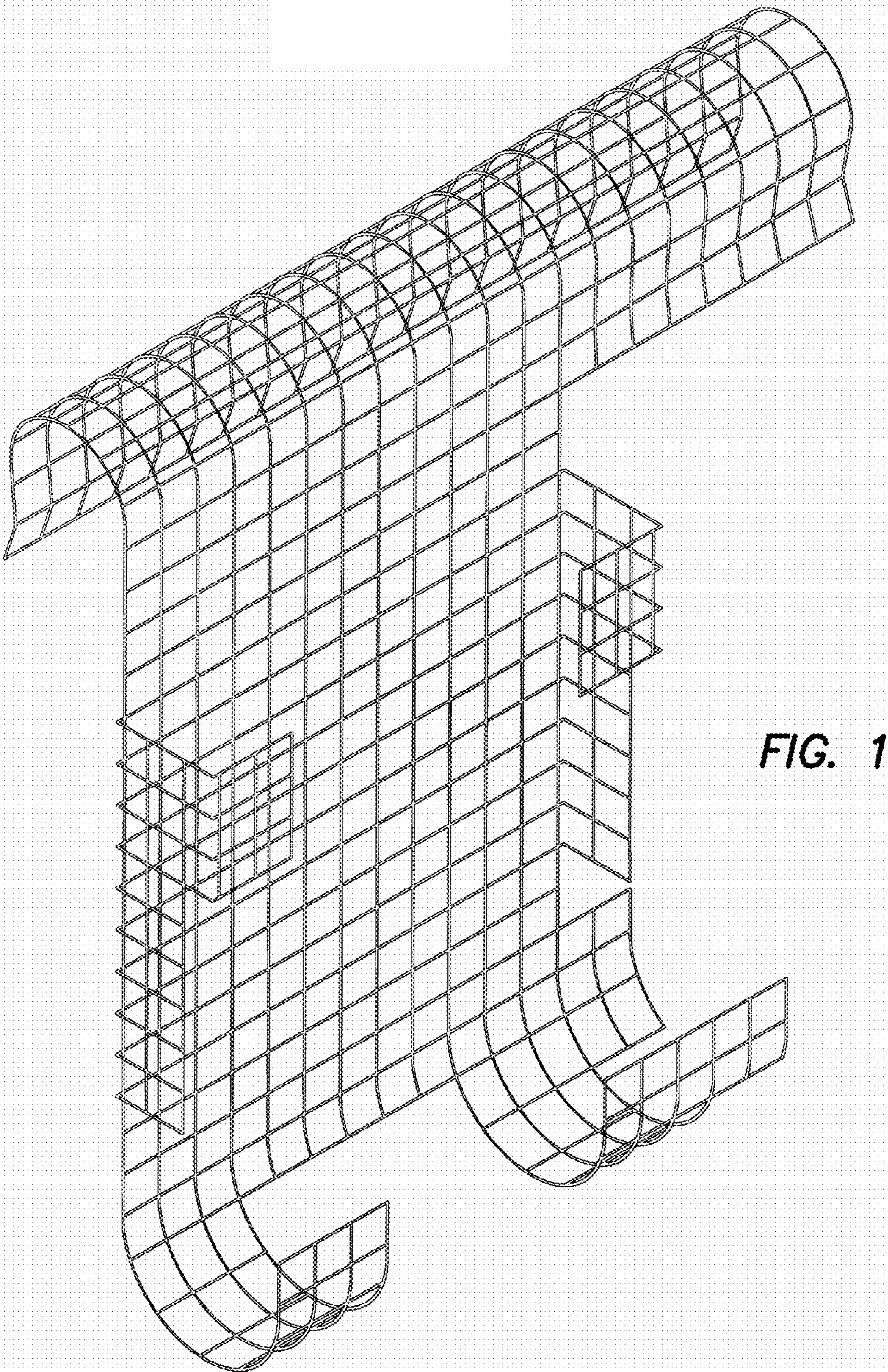


FIG. 1

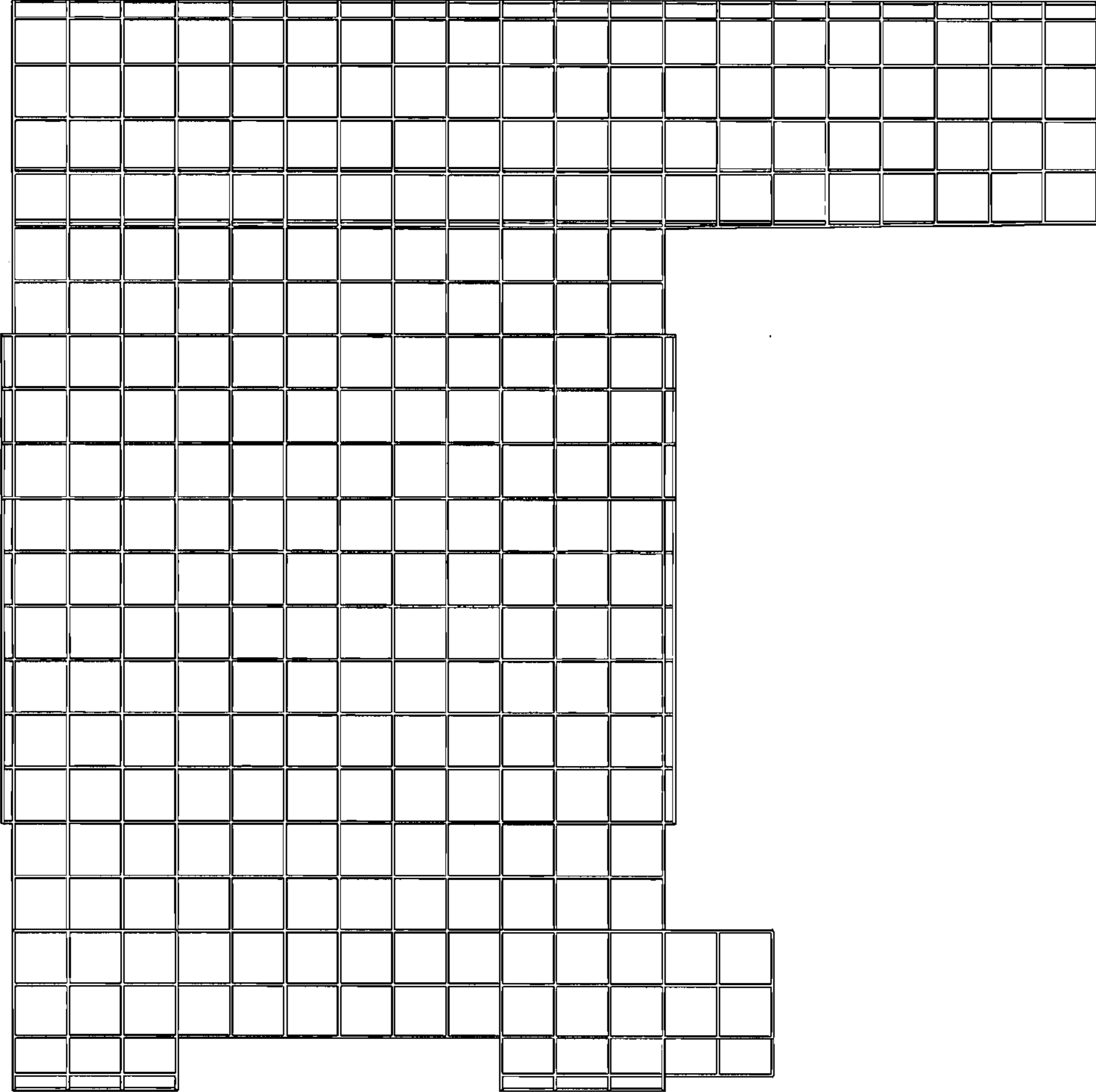


FIG. 2

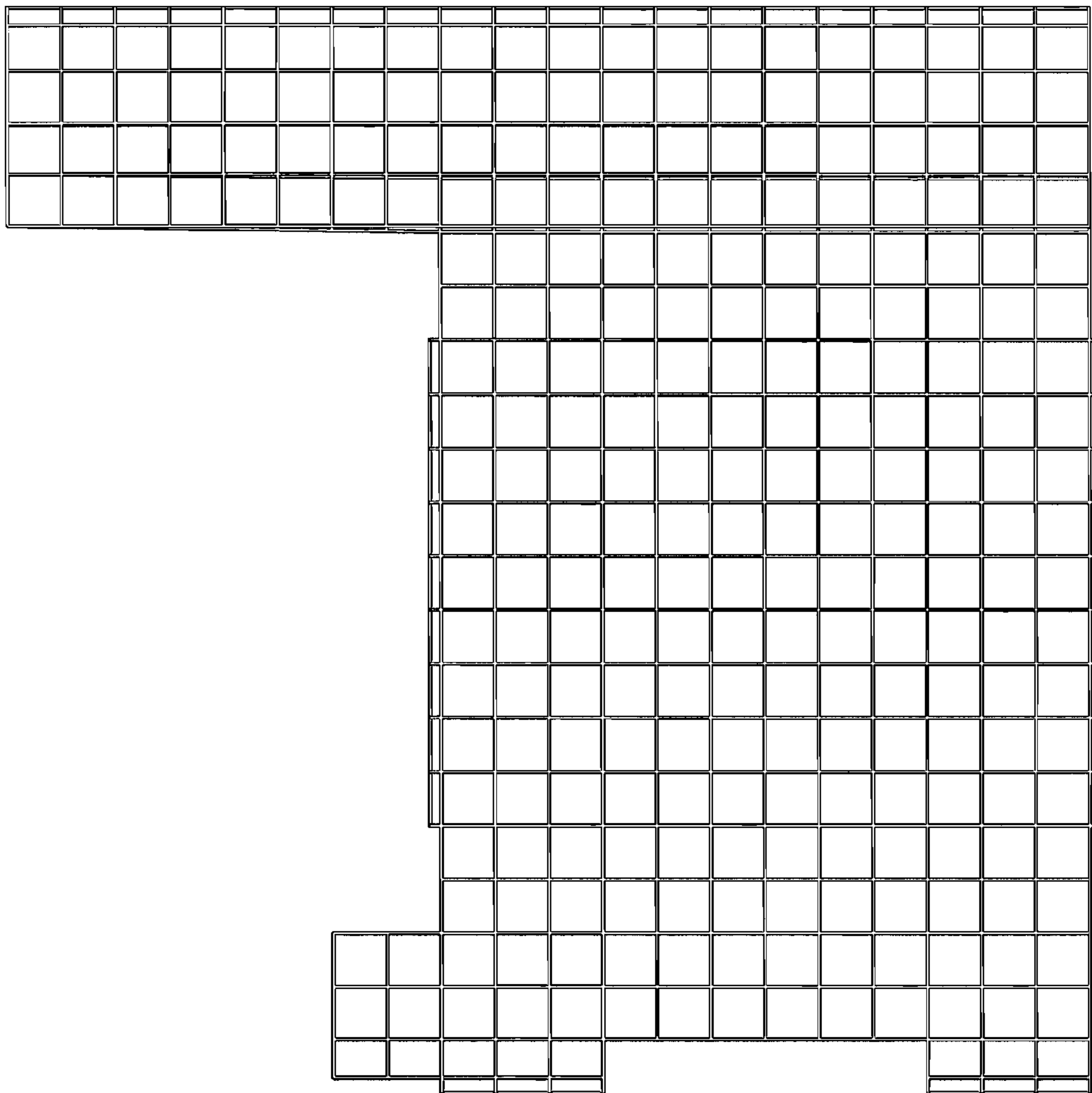


FIG. 3

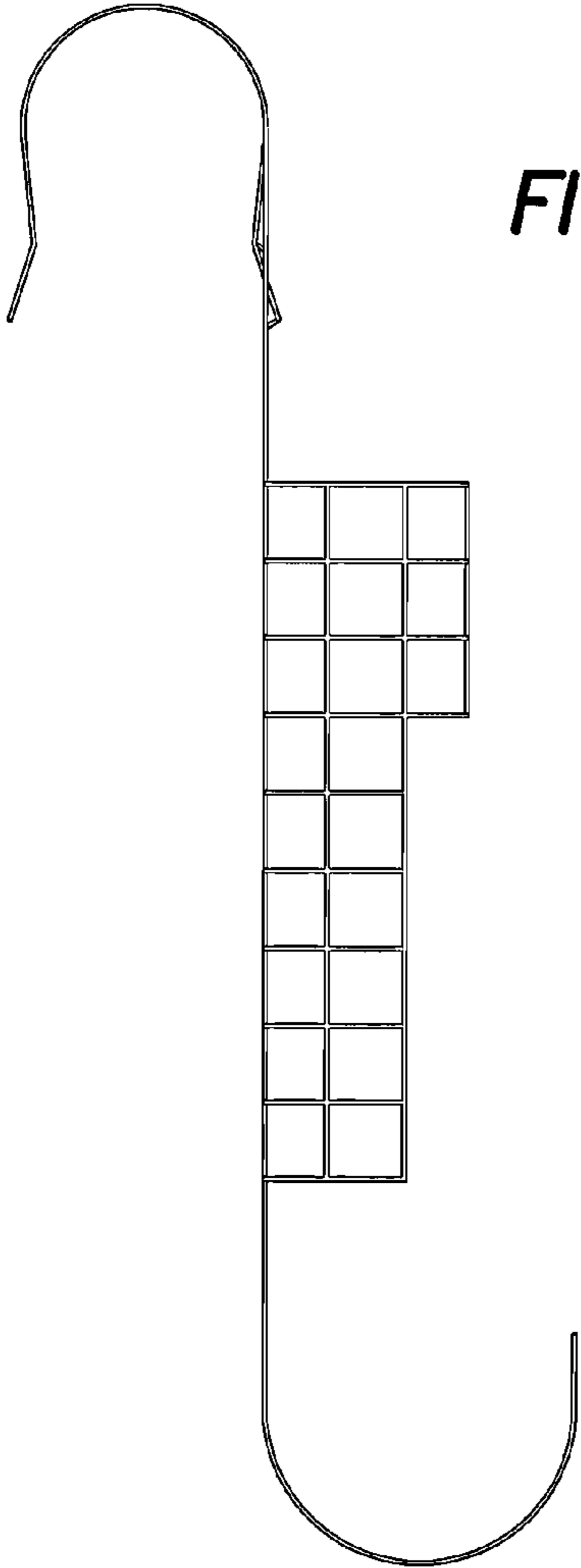


FIG. 4

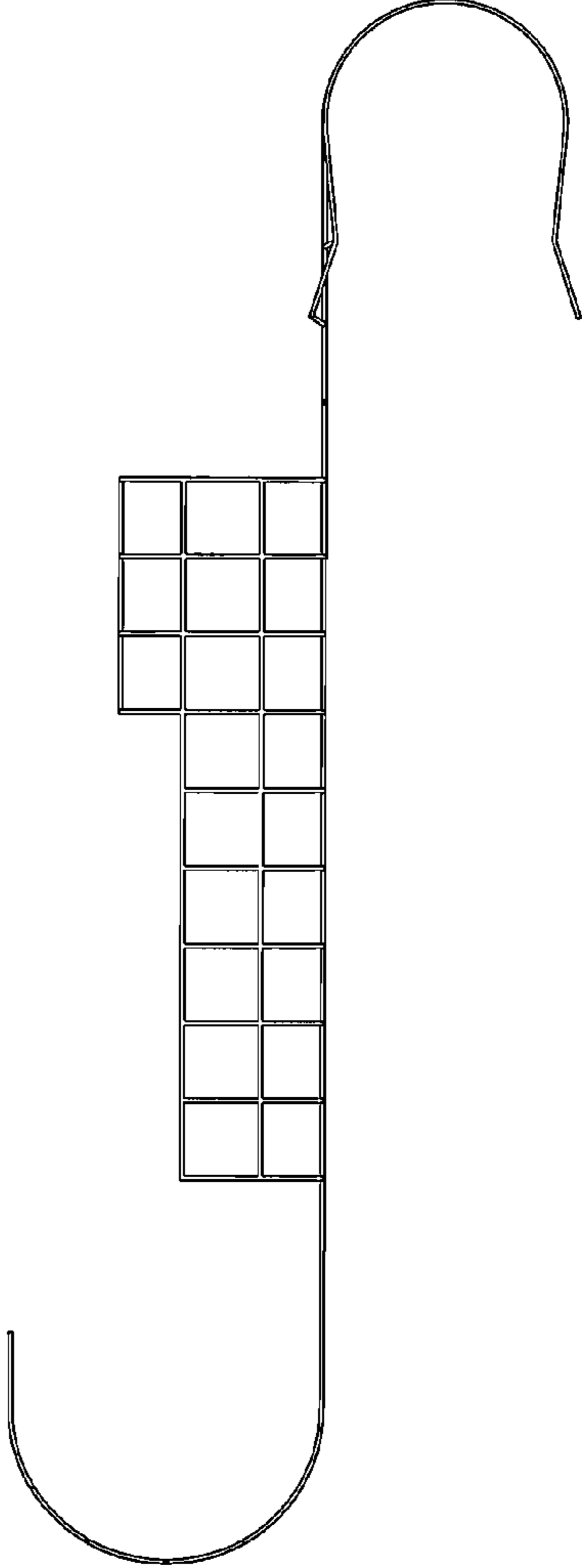


FIG. 5

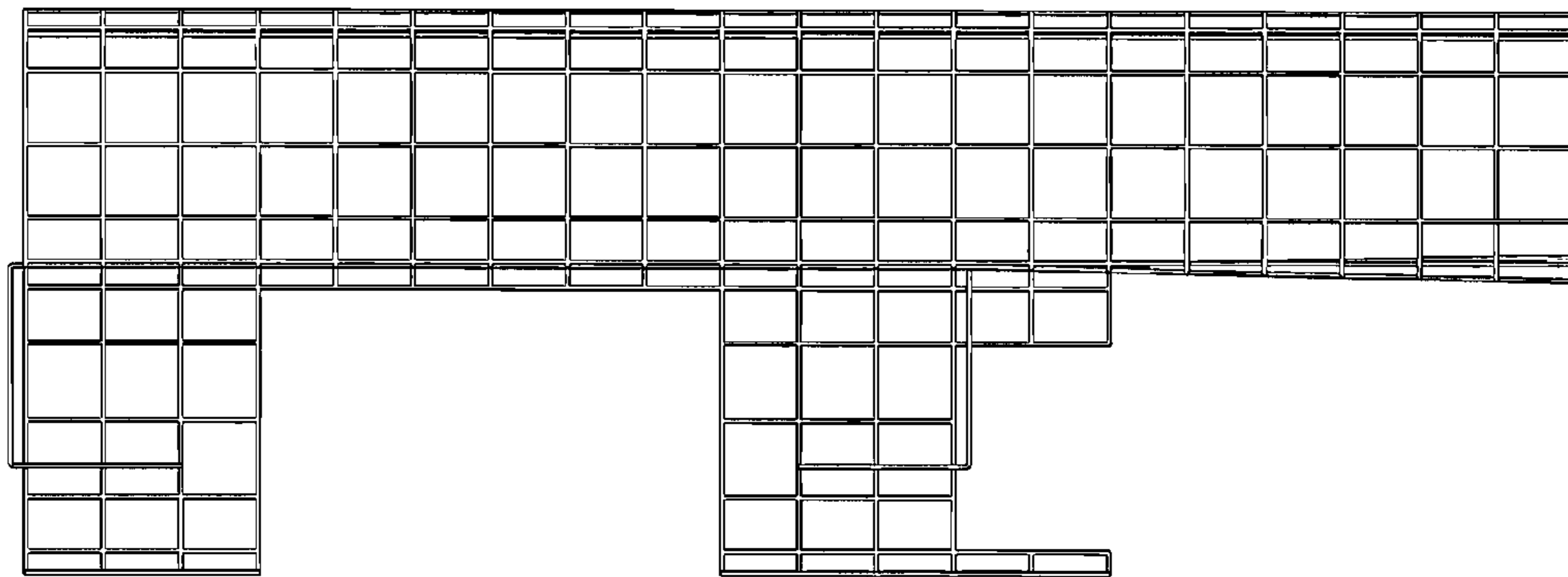


FIG. 6

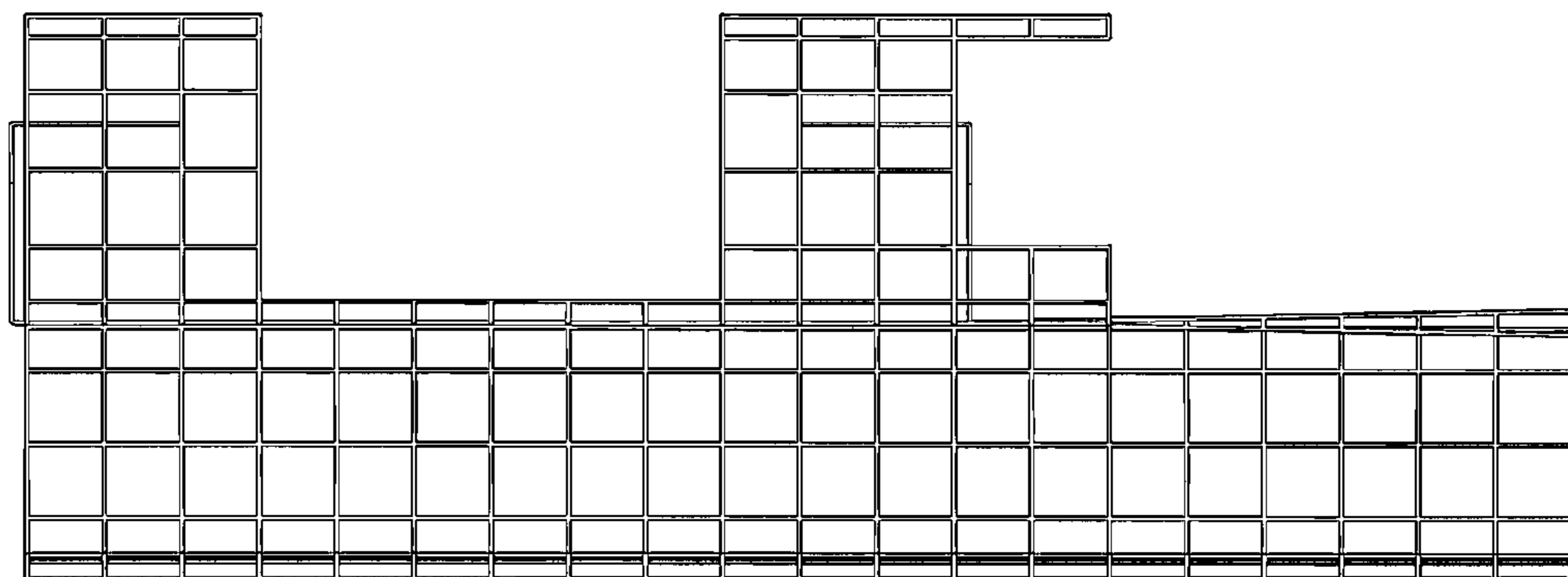


FIG. 7

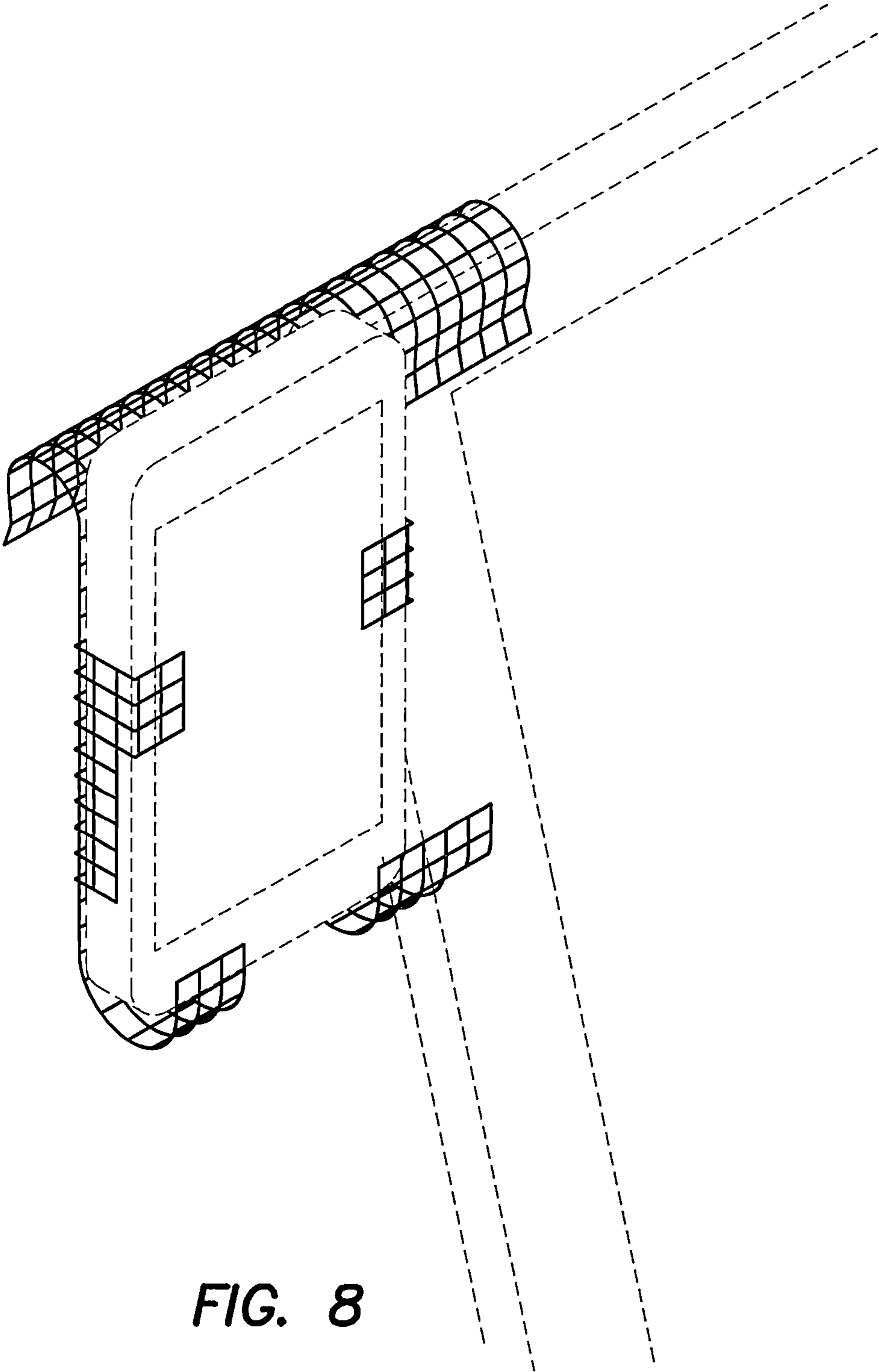


FIG. 8