



US00D707220S

(12) **United States Design Patent**  
**Belby et al.**

(10) **Patent No.:** **US D707,220 S**  
(45) **Date of Patent:** **\*\* Jun. 17, 2014**

(54) **MOBILE DEVICE HOLDER**

(71) Applicant: **Winston Products LLC**, Cleveland, OH  
(US)

(72) Inventors: **Christopher O’Hara Belby**,  
Breckenridge, CO (US); **William Scott  
Smith**, Breckenridge, CO (US)

(73) Assignee: **Winston Products LLC**, Cleveland, OH  
(US)

(\*\*) Term: **14 Years**

(21) Appl. No.: **29/473,193**

(22) Filed: **Nov. 20, 2013**

(51) **LOC (10) CI.** ..... **14-03**

(52) **U.S. Cl.**  
USPC ..... **D14/253**

(58) **Field of Classification Search**

USPC ..... D14/217, 238.1, 243, 250–253, 434,  
D14/440, 447, 496, 203.3–203.7, 248, 240,  
D14/341–347; D3/201, 215, 218, 226, 269,  
D3/273, 301, 303; D19/90; D6/553;  
455/575.1, 575.8; 206/305, 320;  
320/108, 115; 429/96; 220/4.02;  
150/165; 361/679.56, 679.3, 679.25,  
361/816; 379/426, 446, 455, 433.1;  
248/309.1, 371, 176.3, 668; 224/411;  
D12/223, 407

See application file for complete search history.

(56) **References Cited**

U.S. PATENT DOCUMENTS

D370,193	S	*	5/1996	Shull	.....	D12/114
6,557,437	B2	*	5/2003	Masui et al.	.....	74/551.8
7,191,924	B2	*	3/2007	Kilmer	.....	224/420
D652,779	S	*	1/2012	Richter	.....	D12/223
D653,190	S	*	1/2012	Richter	.....	D12/223
D685,687	S	*	7/2013	Richter	.....	D12/114
8,496,144	B2	*	7/2013	Son	.....	224/276
8,561,863	B2	*	10/2013	LaColla et al.	.....	224/275
2003/0106919	A1	*	6/2003	Chuang	.....	224/420
2010/0264182	A1	*	10/2010	Perlman et al.	.....	224/409
2013/0311295	A1	*	11/2013	Belby et al.	.....	705/14.64
2013/0313297	A1	*	11/2013	Belby et al.	.....	224/411

\* cited by examiner

*Primary Examiner* — Susan Bennett Hattan

*Assistant Examiner* — Janice Hallmark

(74) *Attorney, Agent, or Firm* — Cooper Legal Group, LLC

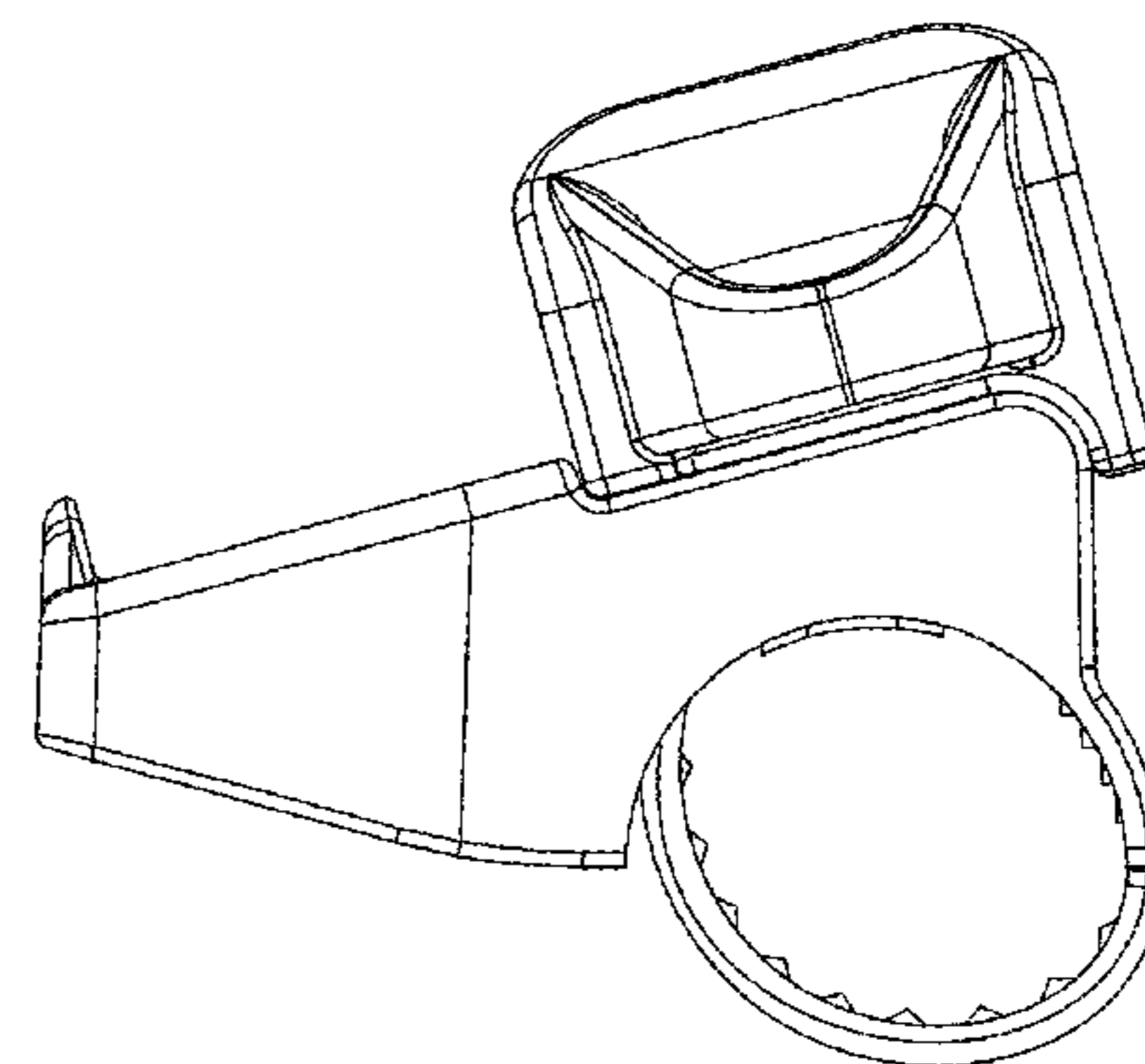
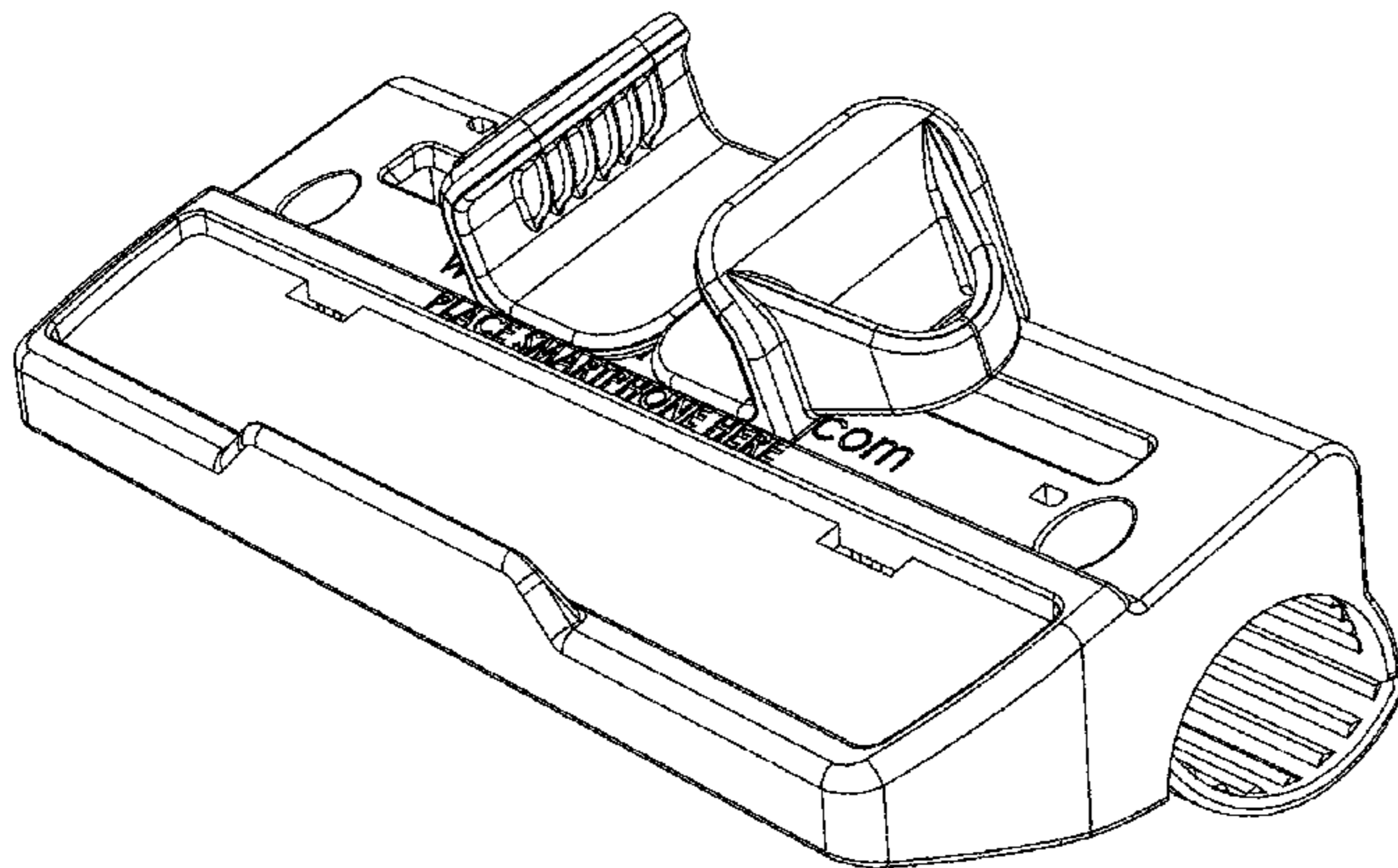
(57) **CLAIM**

The ornamental design for a mobile device holder, as shown and described.

**DESCRIPTION**

FIG. 1 is a first perspective view of a mobile device holder, showing the new design;  
FIG. 2 is a top-side view thereof;  
FIG. 3 is a front-side view thereof;  
FIG. 4 is a rear-side view thereof;  
FIG. 5 is a left-side view thereof;  
FIG. 6 is a right-side view thereof;  
FIG. 7 is a bottom-side view thereof;  
FIG. 8 is a second perspective view thereof; and,  
FIG. 9 is a third perspective view thereof.  
Content shown in phantom is not considered to be part of the new design.

**1 Claim, 9 Drawing Sheets**



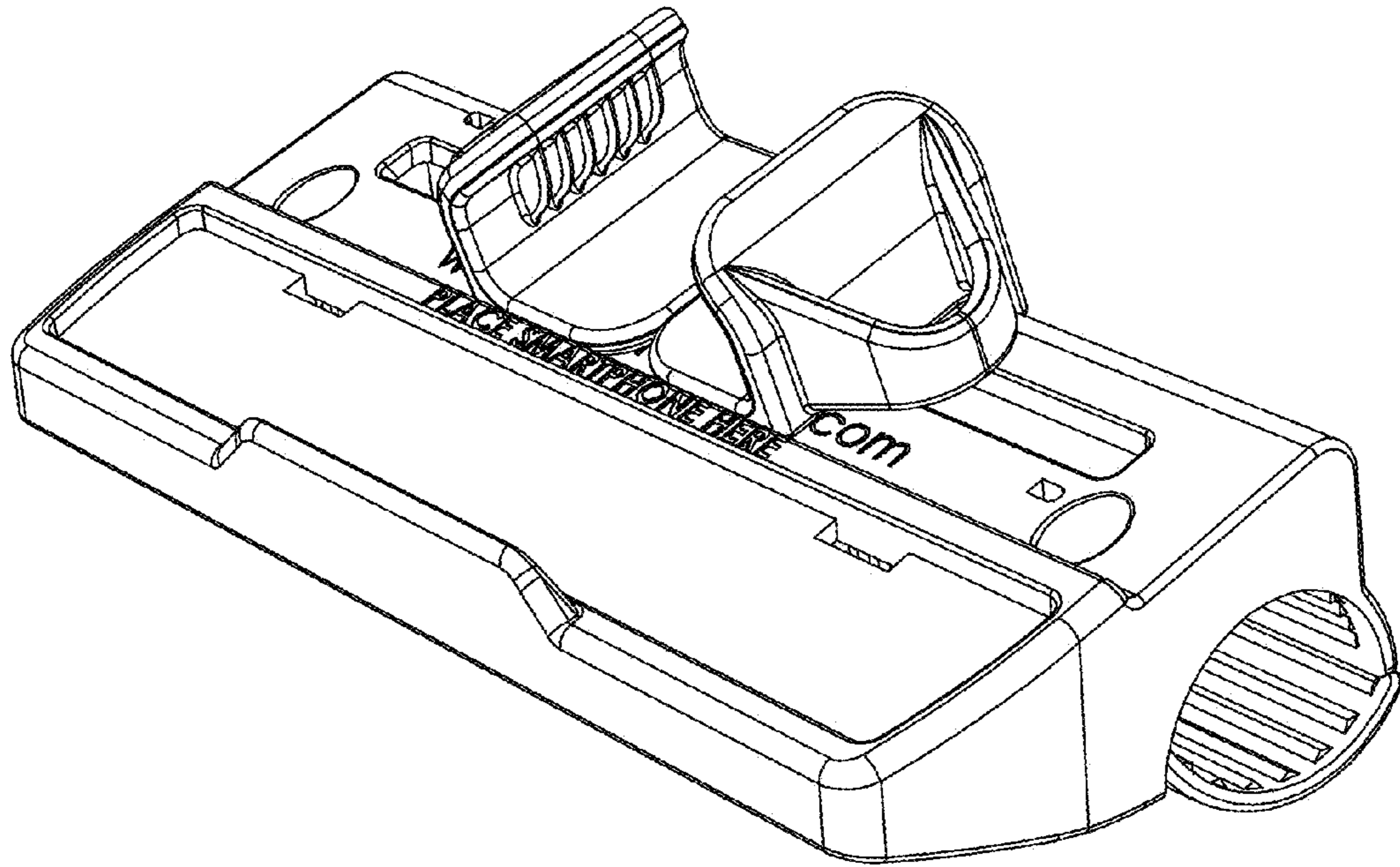


Fig. 1

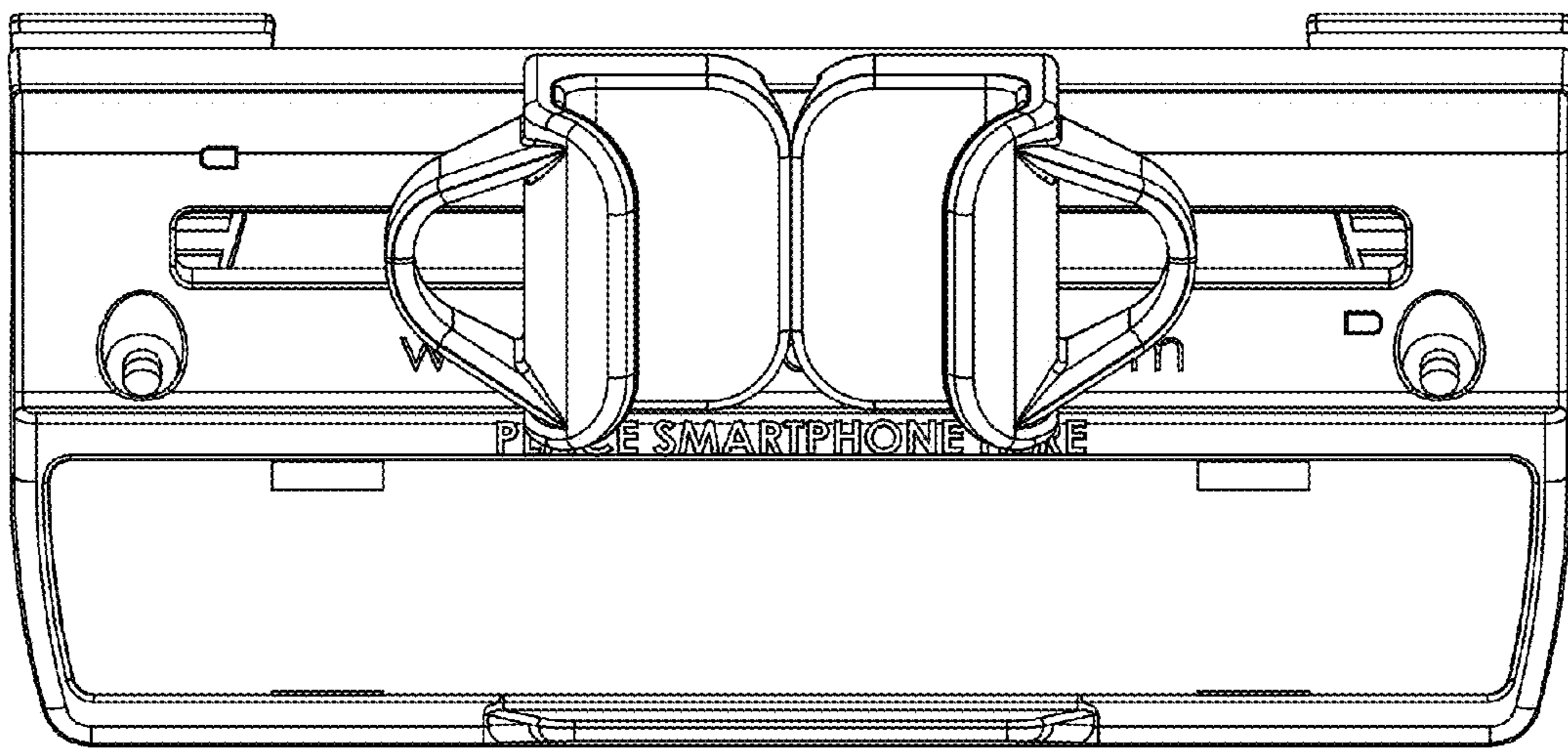


Fig. 2

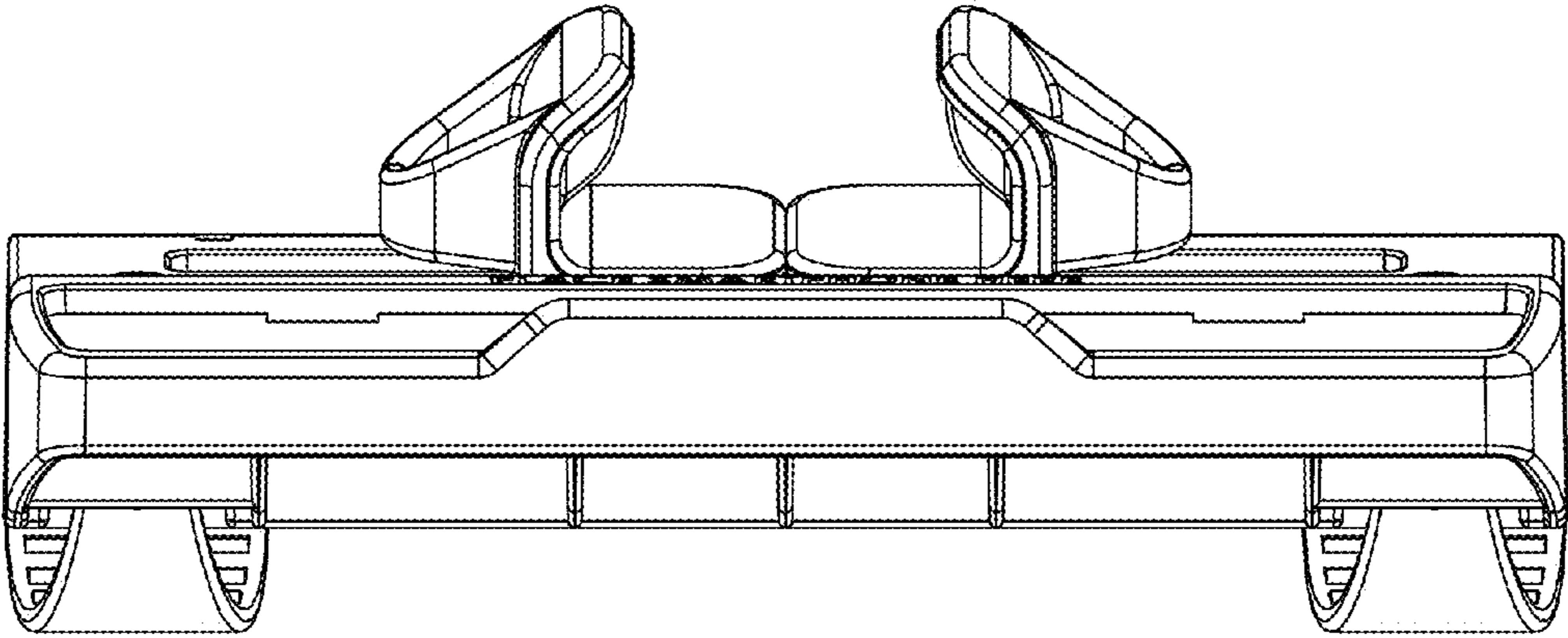


Fig. 3

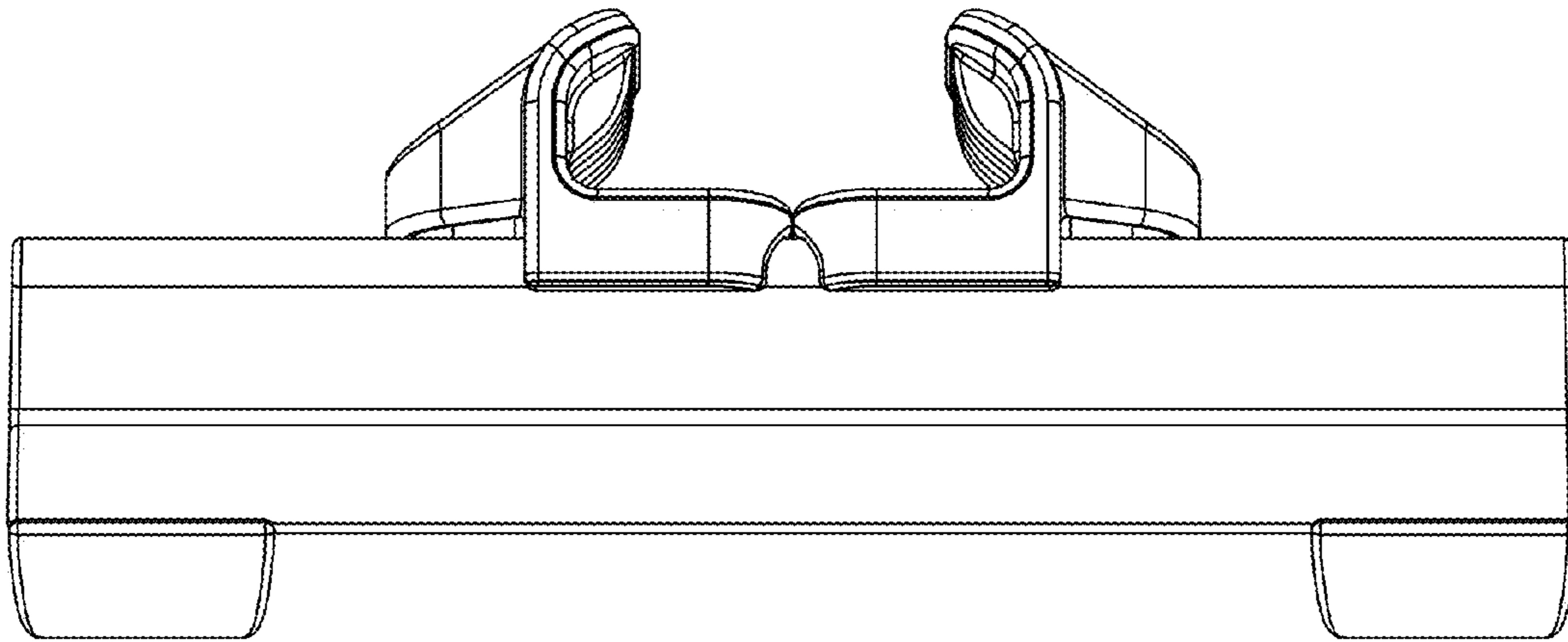


Fig. 4

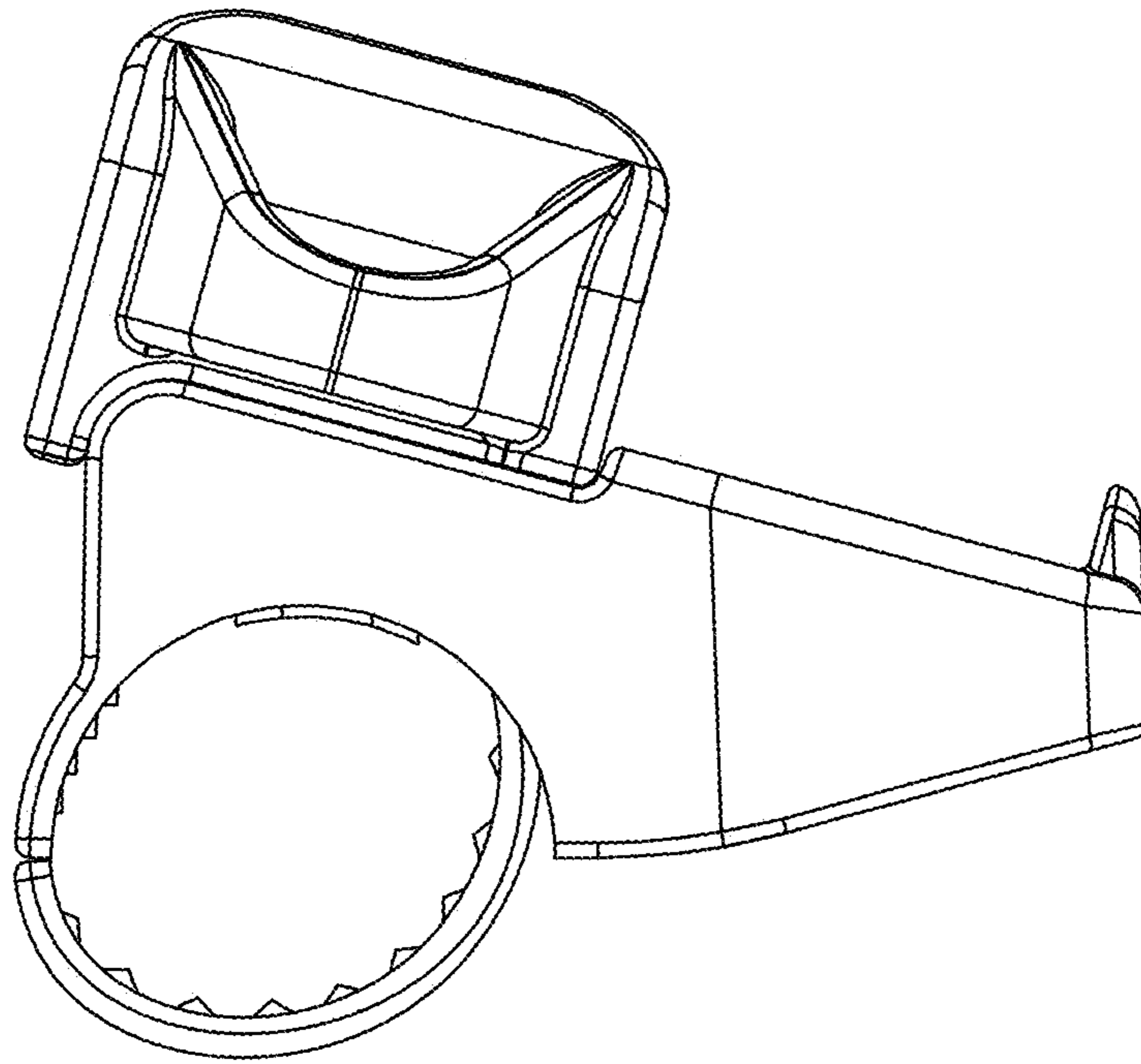


Fig. 5

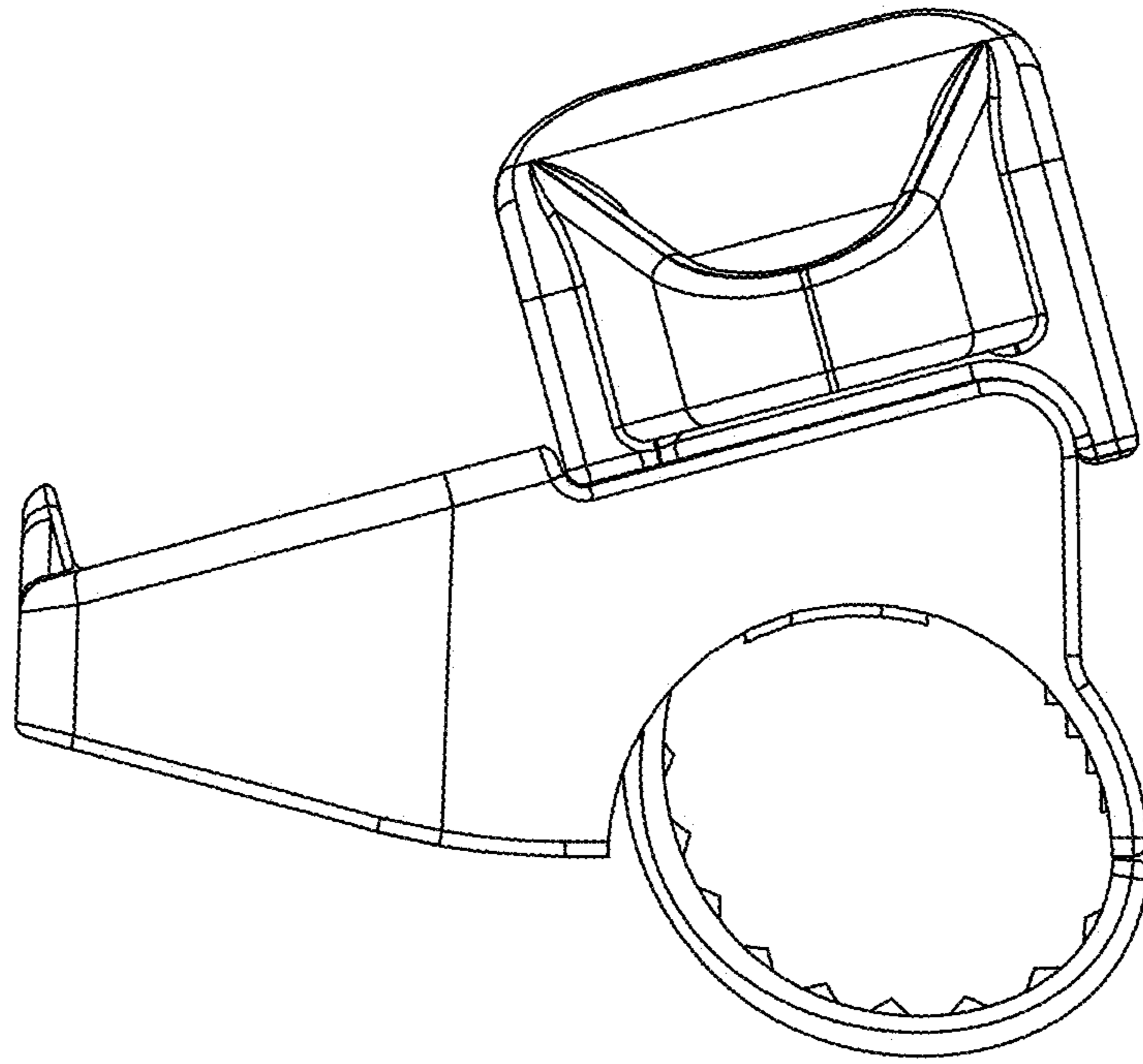


Fig. 6

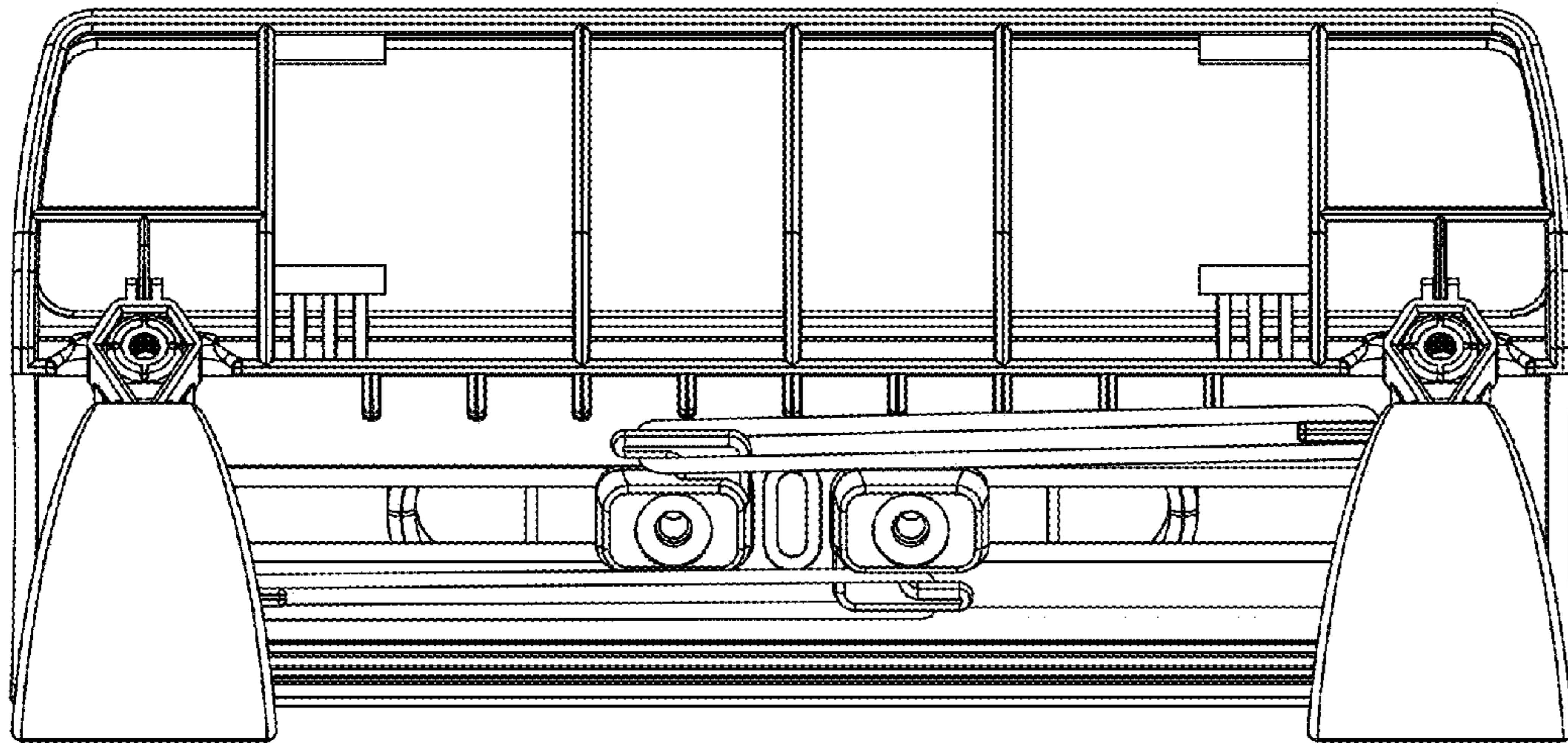


Fig. 7



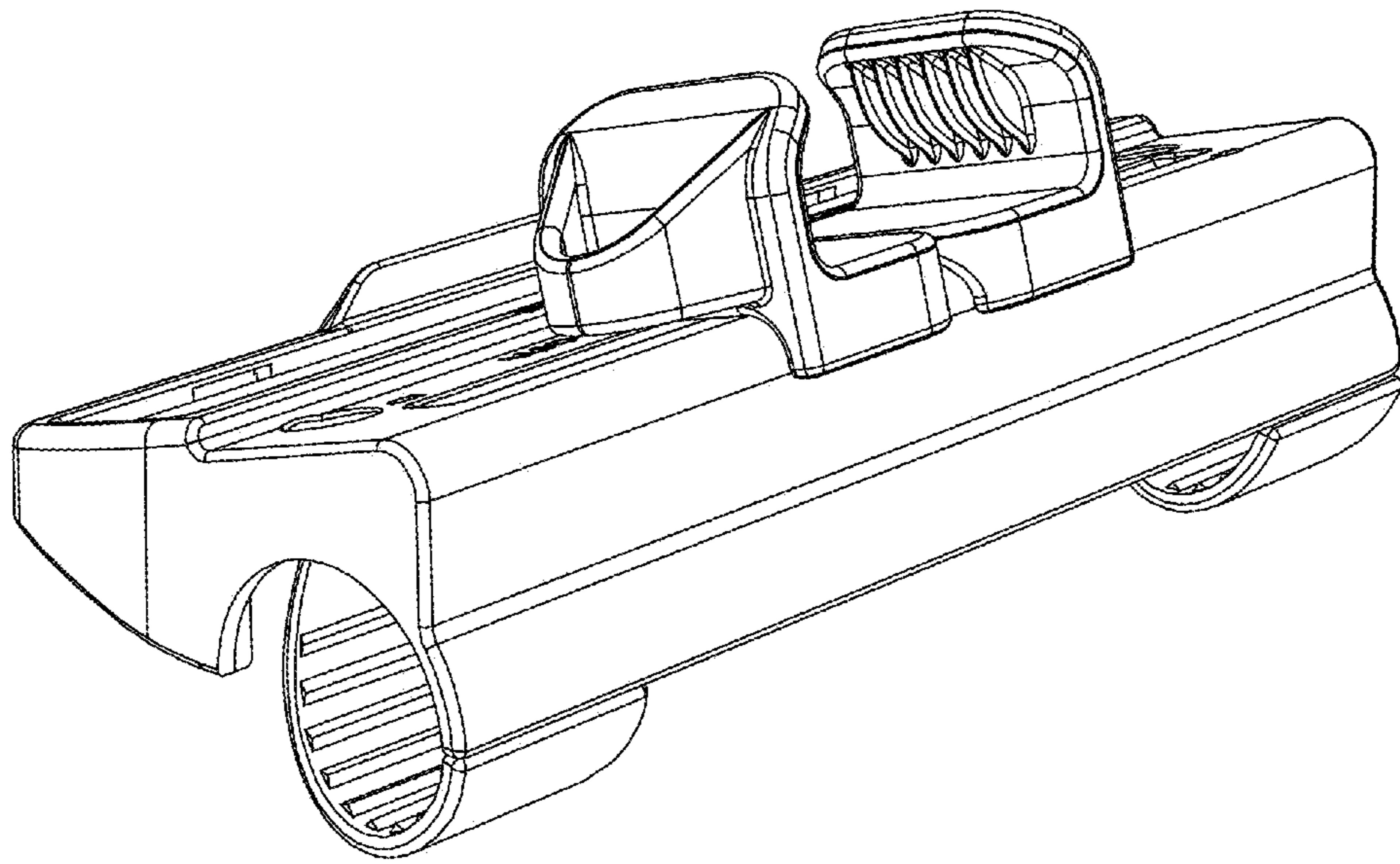


Fig. 8

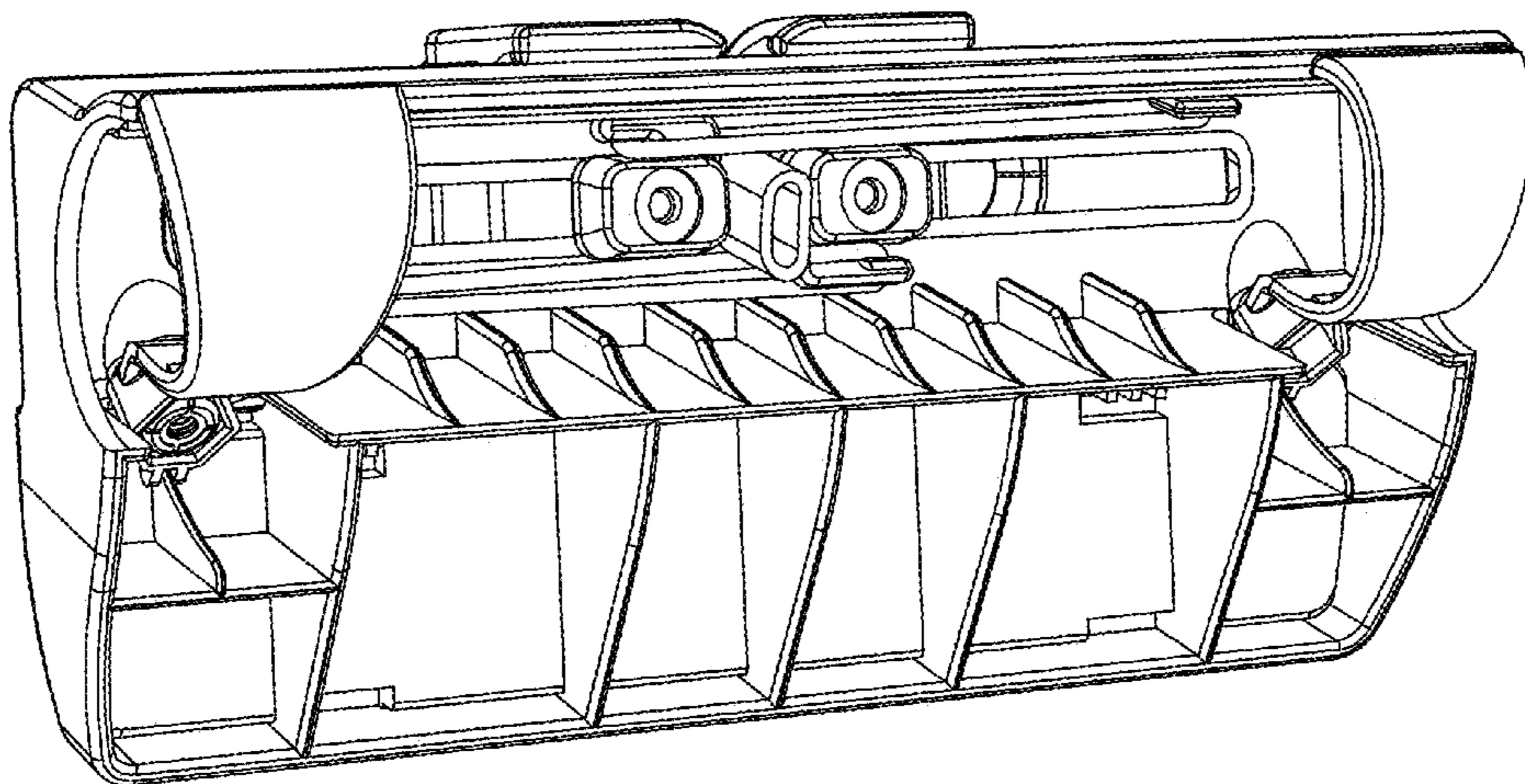


Fig. 9