



US00D707219S

(12) **United States Design Patent**
Kim

(10) **Patent No.:** **US D707,219 S**
(45) **Date of Patent:** **** *Jun. 17, 2014**

(54) **CASE FOR ELECTRONIC DEVICE**

D557,495 S 12/2007 Chan et al.
D582,405 S 12/2008 Andre et al.
D621,396 S * 8/2010 Lee et al. D14/252

(71) Applicant: **Samsung Electronics Co., Ltd.**,
Suwon-si (KR)

(Continued)

(72) Inventor: **Yoon-Young Kim**, Seongnam-Si (KR)

FOREIGN PATENT DOCUMENTS

(73) Assignee: **Samsung Electronics Co., Ltd.**,
Suwon-si (KR)

CN 202653419 U 1/2013
EP 2 408 176 A1 1/2012

OTHER PUBLICATIONS

(*) Notice: This patent is subject to a terminal disclaimer.

Review of Rock Elegant Side Flip Case for Samsung Galaxy Note II, published on Mar. 17, 2013, <URL:http://www.youtube.com/watch?v=TAULRGa9syY>, retrieved from internet on May 13, 2013.*

(**) Term: **14 Years**

(Continued)

(21) Appl. No.: **29/448,701**

Primary Examiner — Carla Jobe Wright

(22) Filed: **Mar. 13, 2013**

(74) *Attorney, Agent, or Firm* — NSIP Law

(51) **LOC (10) CI.** **14-03**

(52) **U.S. CI.**
USPC **D14/250**

(57) **CLAIM**

The ornamental design for a case for electronic device, as shown and described.

(58) **Field of Classification Search**
USPC D14/250–253, 440, 203.3–203.7, 217,
D14/496, 248, 238.1, 240, 447, 341–347,
D14/444; D13/103, 107–108, 119; D3/201,
D3/218, 247, 269, 273, 301, 303;
248/309.1, 371, 176.3, 668;
361/679.56, 679.3, 679.25, 816;
379/426, 433.11, 455; 455/575.1,
455/575.8; 206/305, 320; 320/108, 115;
429/96; 220/4.02; 150/165

DESCRIPTION

FIG. 1 is a perspective view of a case for electronic device showing my new design with the case in an open state; FIG. 2 is a front view thereof; FIG. 3 is a rear view thereof; FIG. 4 is a left-side view thereof; FIG. 5 is a right-side view thereof; FIG. 6 is a top plan view thereof; FIG. 7 is a bottom plan view thereof; FIG. 8 is a rear perspective view thereof; FIG. 9 is a bottom perspective view thereof; and, FIG. 10 is a perspective view thereof showing the case in a closed state.

See application file for complete search history.

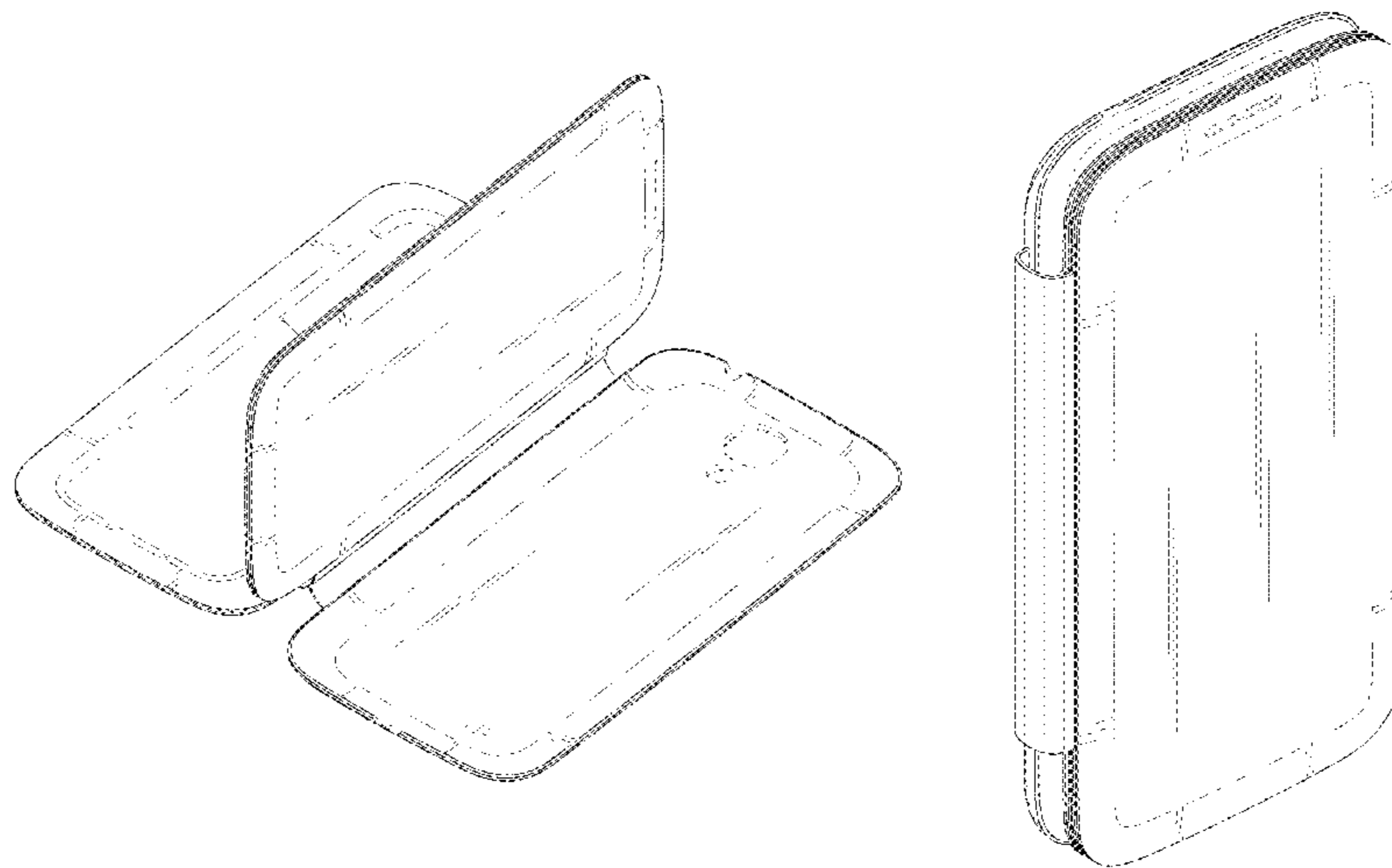
The broken lines immediately adjacent the shaded surfaces represent boundaries of the claimed design. All other broken lines depict unclaimed environment. The broken lines form no part of the claimed design.

(56) **References Cited**

U.S. PATENT DOCUMENTS

D414,033 S * 9/1999 Rohm D3/249
6,501,643 B1 12/2002 Sayers et al.
6,599,657 B1 * 7/2003 Pollett et al. 429/96
6,758,335 B2 * 7/2004 Kajiya 206/320
D550,961 S * 9/2007 Eskandry D3/303
D551,846 S 10/2007 Ko et al.

1 Claim, 10 Drawing Sheets



(56)

References Cited

U.S. PATENT DOCUMENTS

D624,304	S	9/2010	Danze et al.	
D628,374	S *	12/2010	Lee et al.	D3/201
D641,348	S	7/2011	Kim et al.	
8,046,039	B2 *	10/2011	Lee et al.	455/575.8
D648,529	S *	11/2011	Brown	D3/269
D652,829	S *	1/2012	Kim et al.	D14/250
D657,354	S *	4/2012	Kim	D14/250
D669,121	S *	10/2012	May	D19/26
D669,270	S *	10/2012	Phillips et al.	D3/301
D674,799	S *	1/2013	Kim	D14/440
D674,800	S *	1/2013	Kim	D14/440
D678,260	S *	3/2013	Bau	D14/250
D682,837	S *	5/2013	Lee et al.	D14/440
2009/0314400	A1 *	12/2009	Liu	150/165
2011/0290687	A1 *	12/2011	Han	206/320
2012/0043234	A1 *	2/2012	Westrup	206/320
2012/0178507	A1 *	7/2012	Lee	455/575.1
2012/0305424	A1 *	12/2012	Sogabe et al.	206/320

2013/0015088	A1 *	1/2013	Wu	206/320
2013/0020214	A1 *	1/2013	Chiou	206/320
2013/0020215	A1 *	1/2013	Hsu	206/320

OTHER PUBLICATIONS

Rock Elegant Side Flip Protective Leather Case for Samsung Galaxy Note 2, <URL:http://www.tvc-mall.com/details/ROCK-Elegant-Side-Flip-Protective-Leather-Case-for-Samsung-Galaxy-Note-2-II-N7100-MLC-N7100-81/>, retrieved from internet on May 13, 2013.*

Androidizen review of Belkin Snap Folio Case for Samsung Galaxy Note 2, published on Jan 13, 2013, <URL:http://www.youtube.com/watch?v=C52zLHKQSBw>, retrieved from internet on May 13, 2013.*

Review of Kalaideng Galaxy S4 Oscar Series Book Flip Case, published on May 13, 2013, <URL:http://www.youtube.com/watch?v=TpWeG4x-y0Q>, retrieved from internet on Jun. 12, 2013.*

U.S. Appl. No. 29/448,708, filed Mar. 13, 2013, Kim.

* cited by examiner

FIG. 1

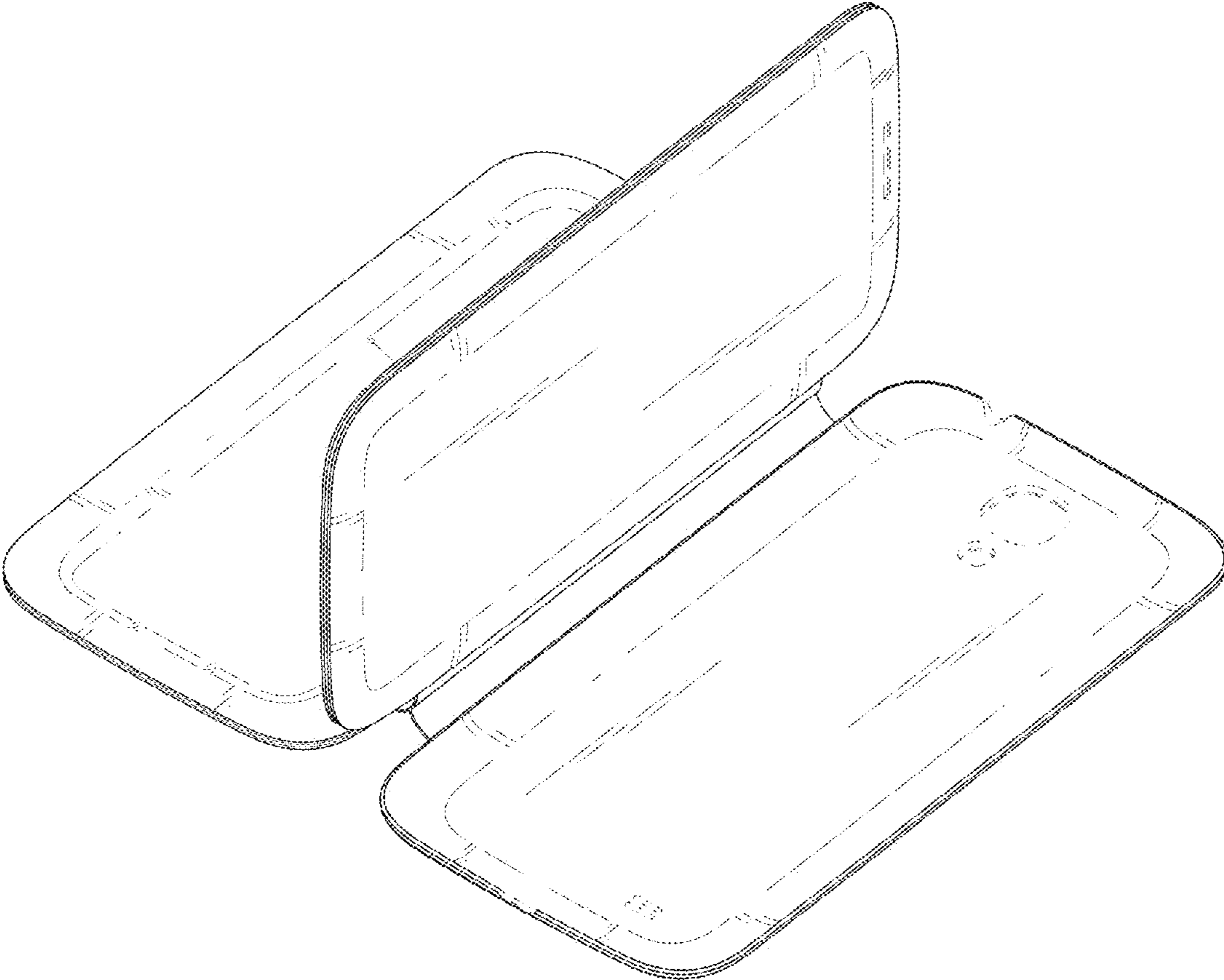


FIG. 2

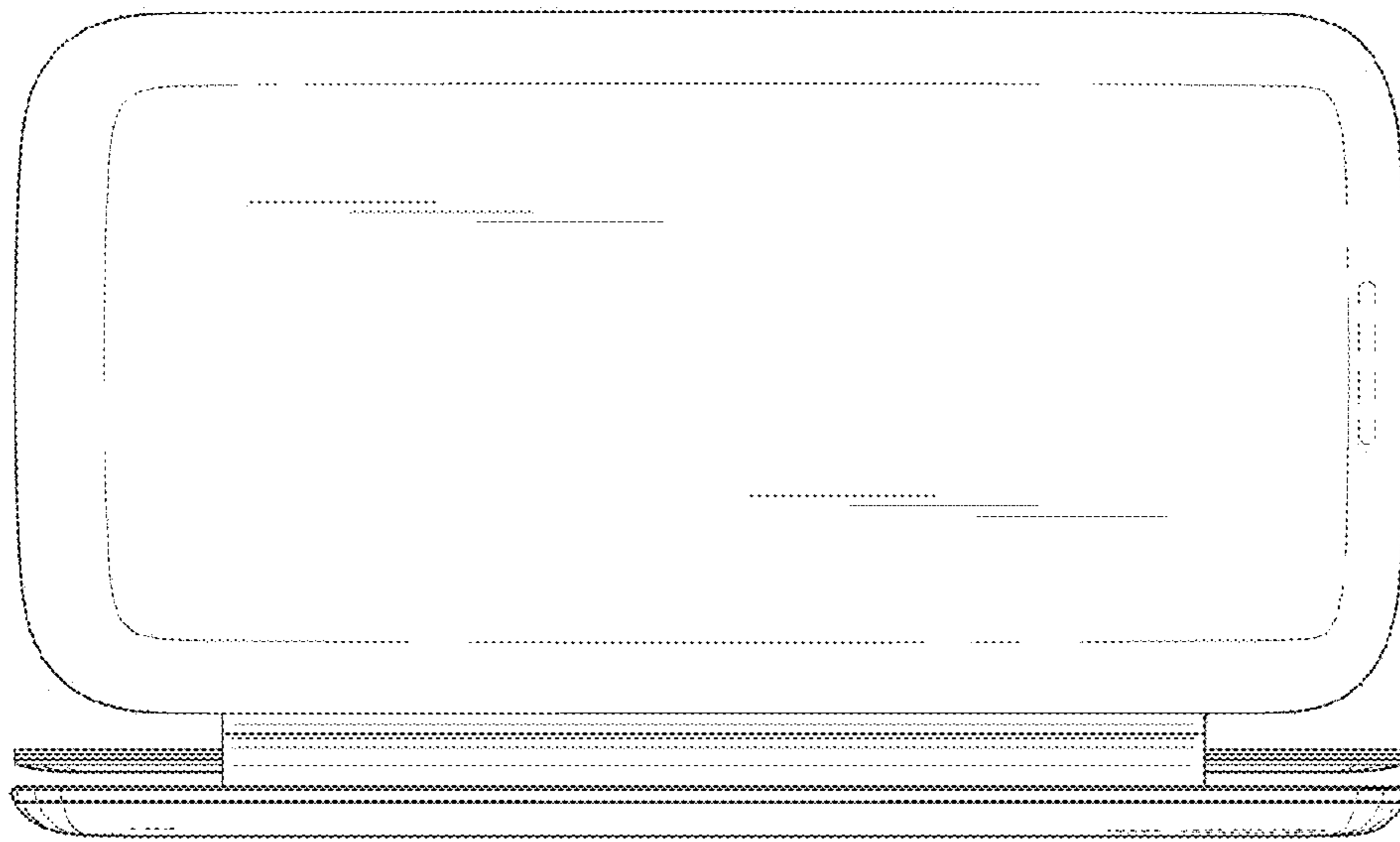


FIG. 3

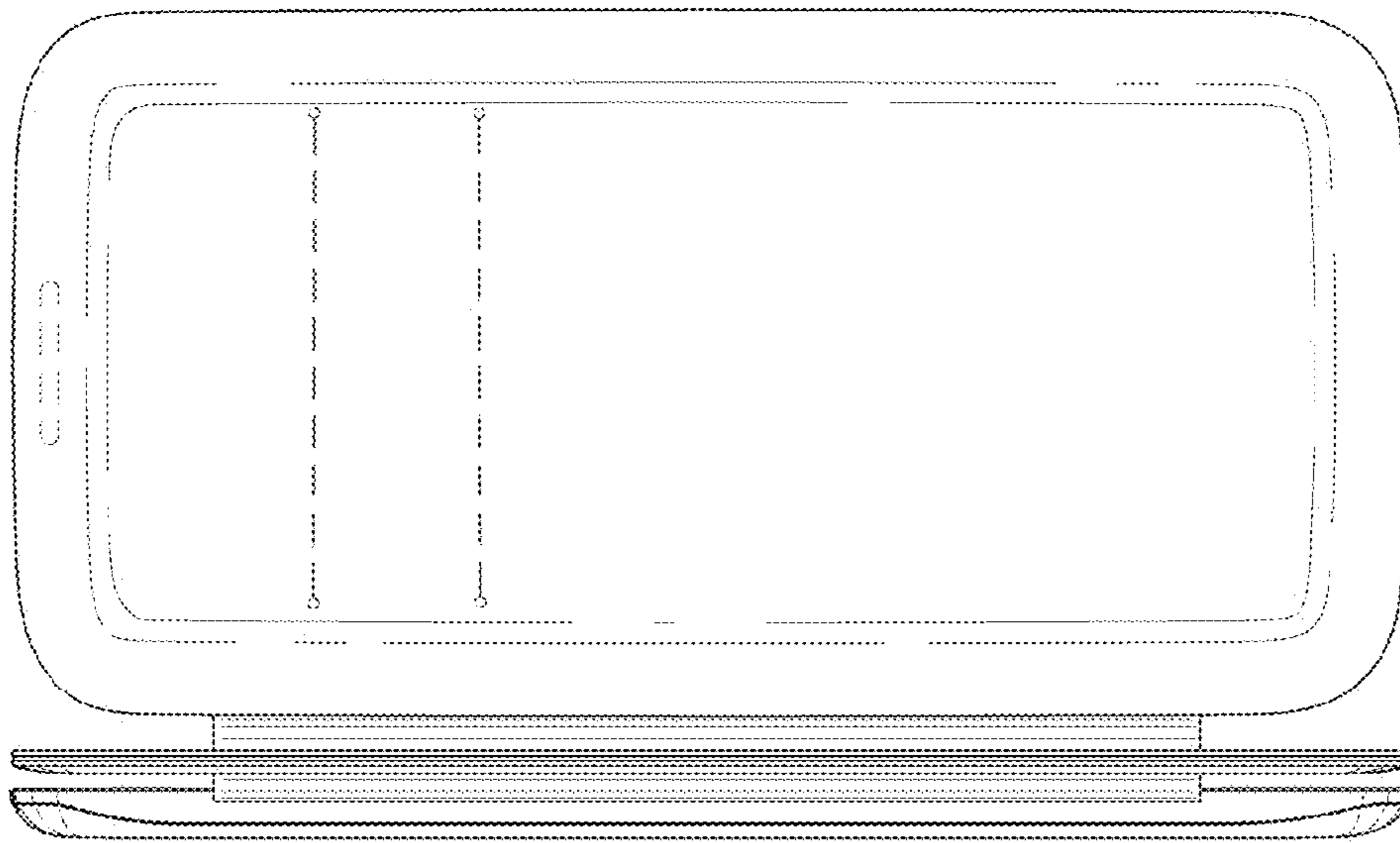


FIG. 4

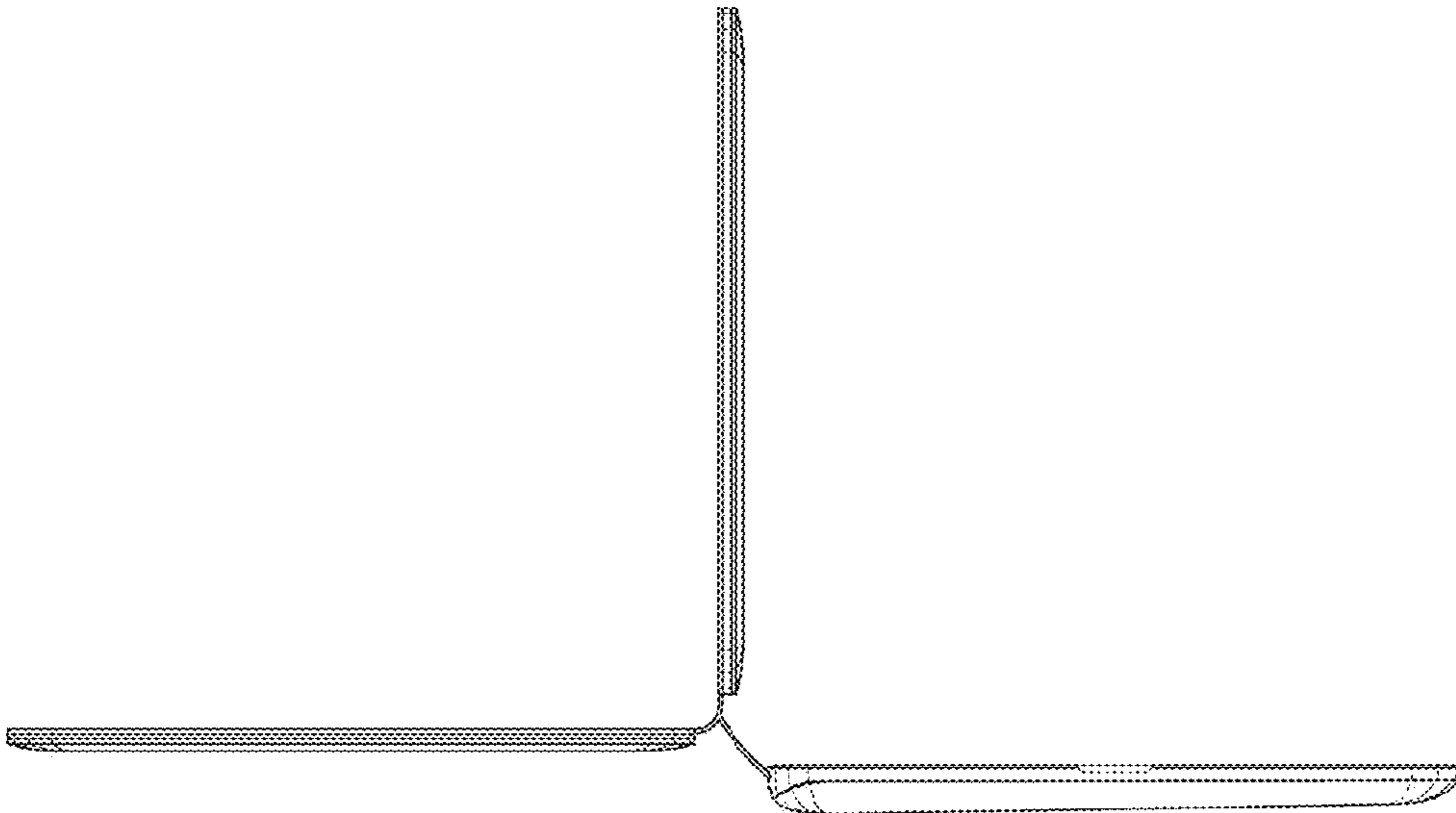


FIG. 5

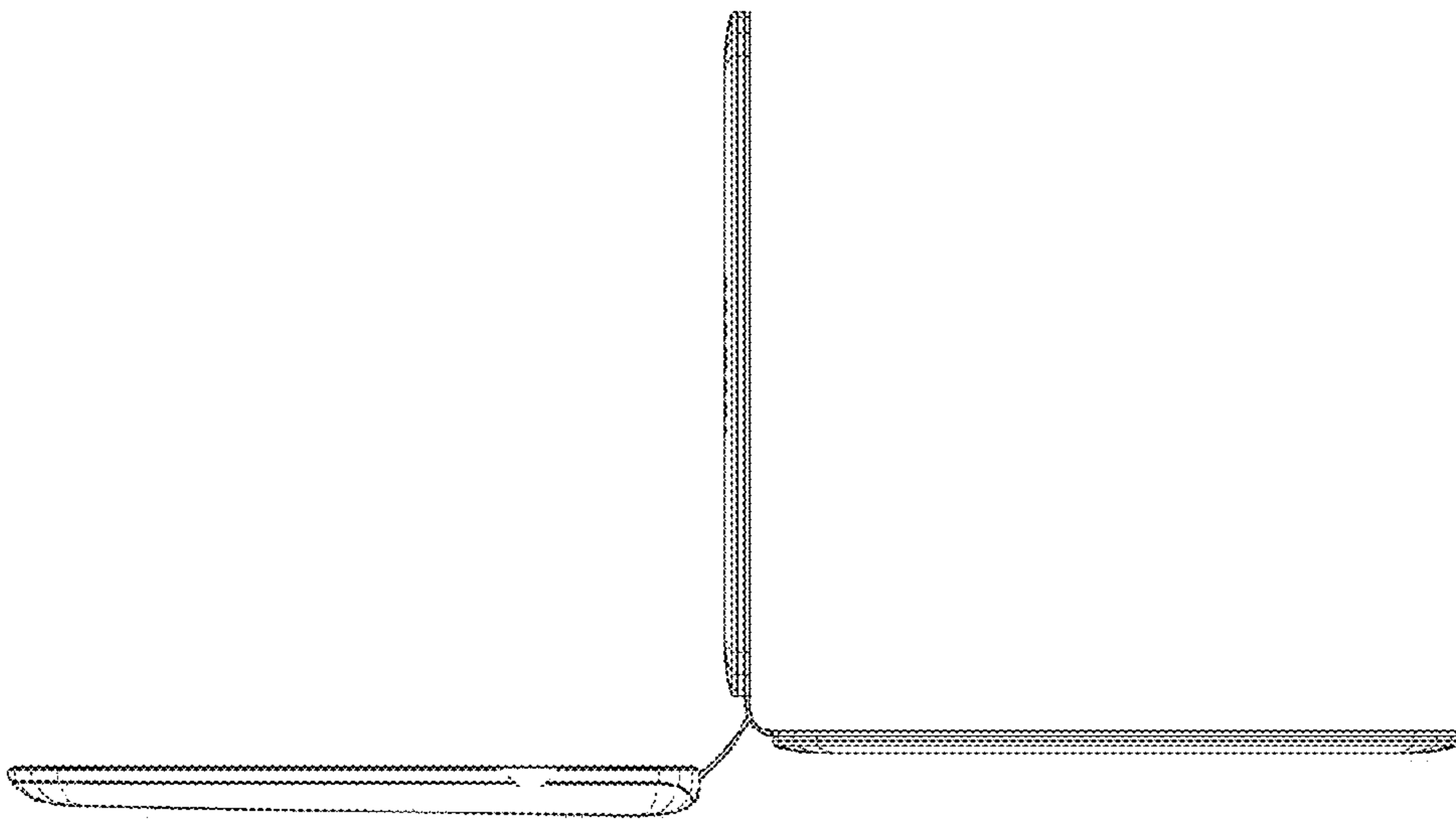


FIG. 6

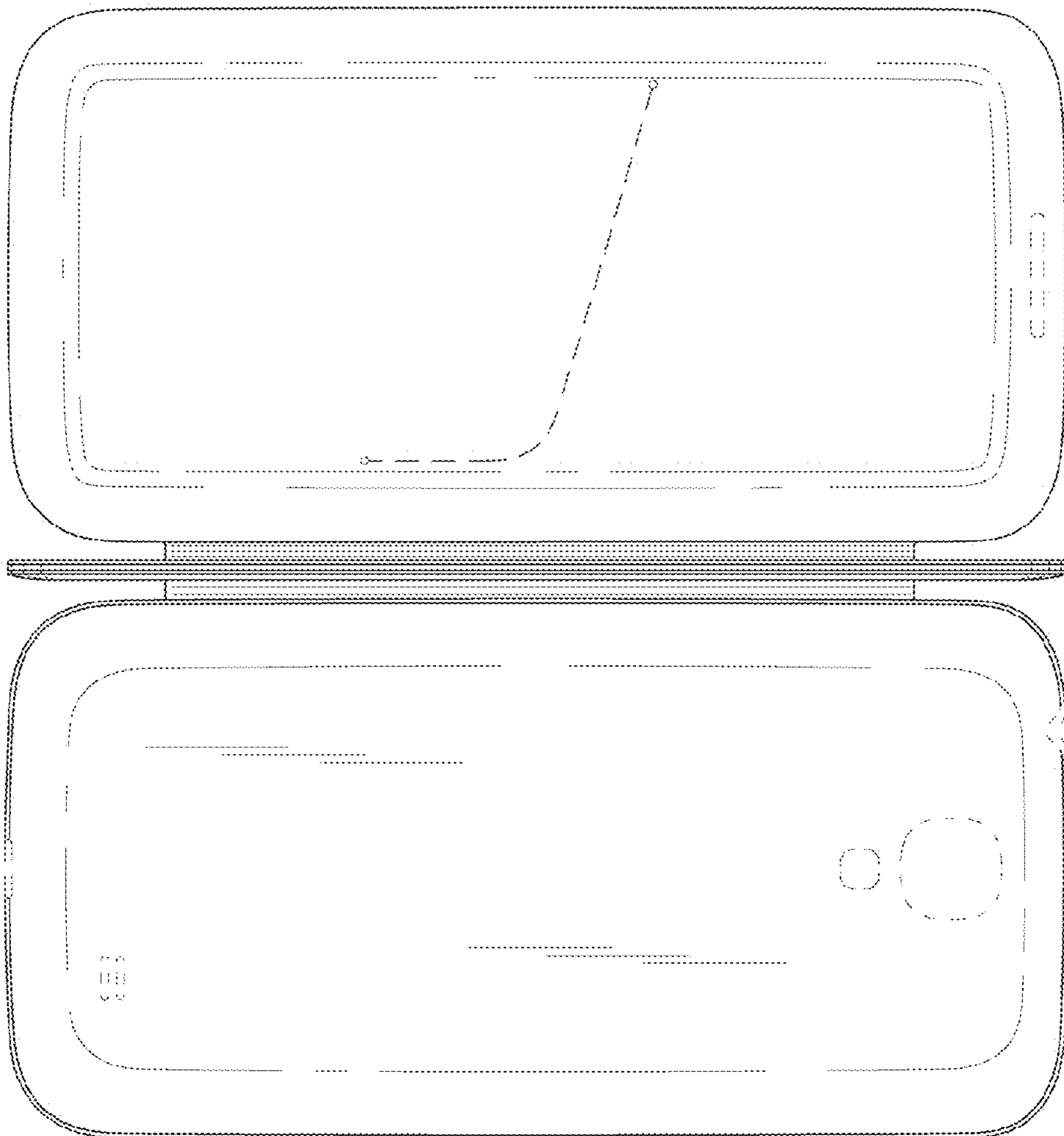


FIG. 7

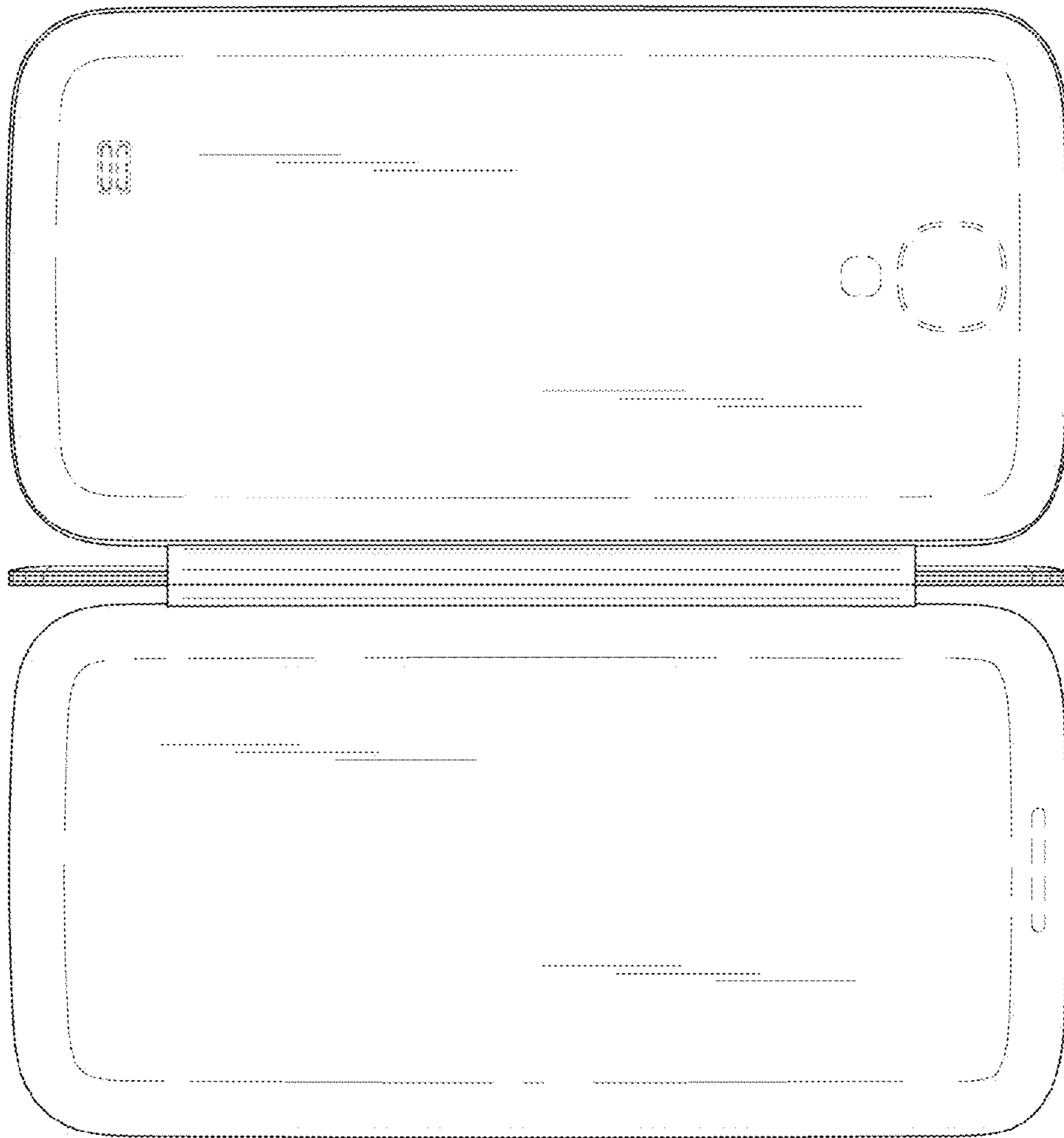


FIG. 8

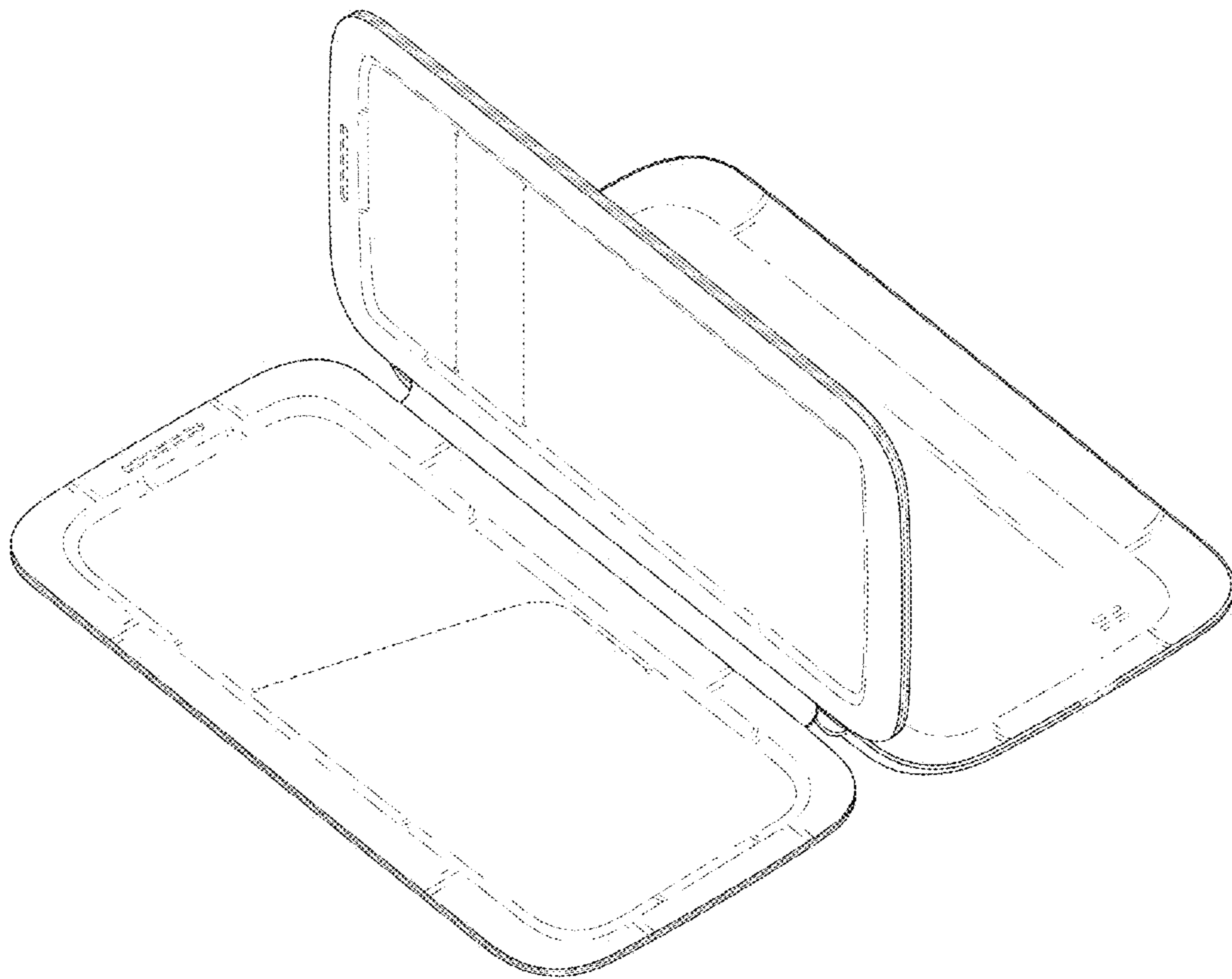


FIG. 9

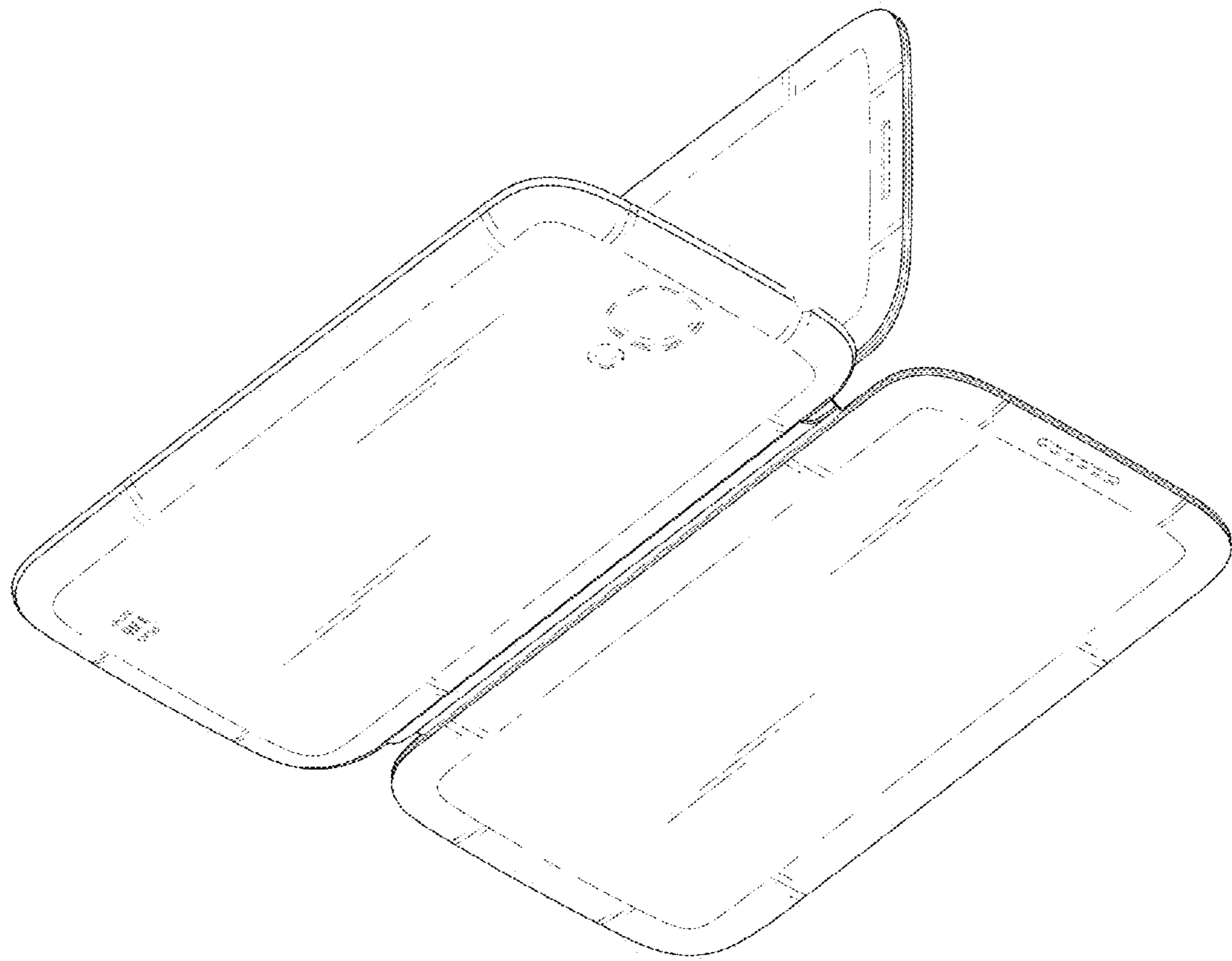


FIG. 10

