



US00D707218S

(12) **United States Design Patent**
YoonYoung

(10) **Patent No.:** **US D707,218 S**
(45) **Date of Patent:** **** *Jun. 17, 2014**

(54) **CASE FOR PORTABLE ELECTRONIC DEVICE**

(71) Applicant: **Samsung Electronics Co., Ltd.**,
Suwon-Si (KR)

(72) Inventor: **Kim YoonYoung**, Sungnam-si (KR)

(73) Assignee: **Samsung Electronics Co., Ltd.**,
Gyeonggi-do (KR)

(*) Notice: This patent is subject to a terminal disclaimer.

(**) Term: **14 Years**

(21) Appl. No.: **29/444,392**

(22) Filed: **Jan. 30, 2013**

(30) **Foreign Application Priority Data**

Aug. 28, 2012 (KR) 30-2012-0041331

(51) **LOC (10) Cl.** **14-03**

(52) **U.S. Cl.**
USPC **D14/250**

(58) **Field of Classification Search**
USPC D14/250, 440, 238.1, 251-253,
D14/203.3-203.7, 217, 496, 248, 240, 447,
D14/341-347, 444; D13/103, 107-108,
D13/119; D3/201, 218, 247, 269, 273, 301,
D3/303; 248/309.1, 371, 176.3, 668;
361/679.56, 679.3, 679.25, 816;
379/433.11, 455; 455/575.1, 575.8;
206/305, 320; 320/108, 115; 429/96;
220/4.02; 150/165

See application file for complete search history.

(56) **References Cited**

U.S. PATENT DOCUMENTS

D433,808 S * 11/2000 Moorhouse, Sr. D3/303
6,758,335 B2 * 7/2004 Kajiya 206/320
D519,559 S * 4/2006 Mehta D19/26
D550,961 S * 9/2007 Eskandry D3/303

D582,405 S * 12/2008 Andre et al. D3/299
D628,374 S * 12/2010 Lee et al. D3/201
D641,348 S * 7/2011 Kim et al. D14/250
D648,529 S * 11/2011 Brown D3/269
D652,829 S * 1/2012 Kim et al. D14/250
D657,354 S * 4/2012 Kim D14/250
D669,121 S * 10/2012 May D19/26
D669,270 S * 10/2012 Phillips et al. D3/301
D674,799 S * 1/2013 Kim D14/440
D678,260 S * 3/2013 Bau D14/250

(Continued)

OTHER PUBLICATIONS

Review of Rock Elegant Side Flip Case for Samsung Galaxy Note II, published on Mar 17, 2013, <URL:http://www.youtube.com/watch?v=TAULRGa9syY>, retrieved from internet on May 13, 2013.*

Rock Elegant Side Flip Protective Leather Case for Samsung Galaxy Note 2, <URL:http://www.tvc-mall.com/details/ROCK-Elegant-Side-Flip-Protective-Leather-Case-for-Samsung-Galaxy-Note-2-II-N7100-MLC-N7100-81/>, retrieved from internet on May 13, 2013.*

(Continued)

Primary Examiner — Carla Jobe Wright

(74) *Attorney, Agent, or Firm* — Harness, Dickey & Pierce

(57) **CLAIM**

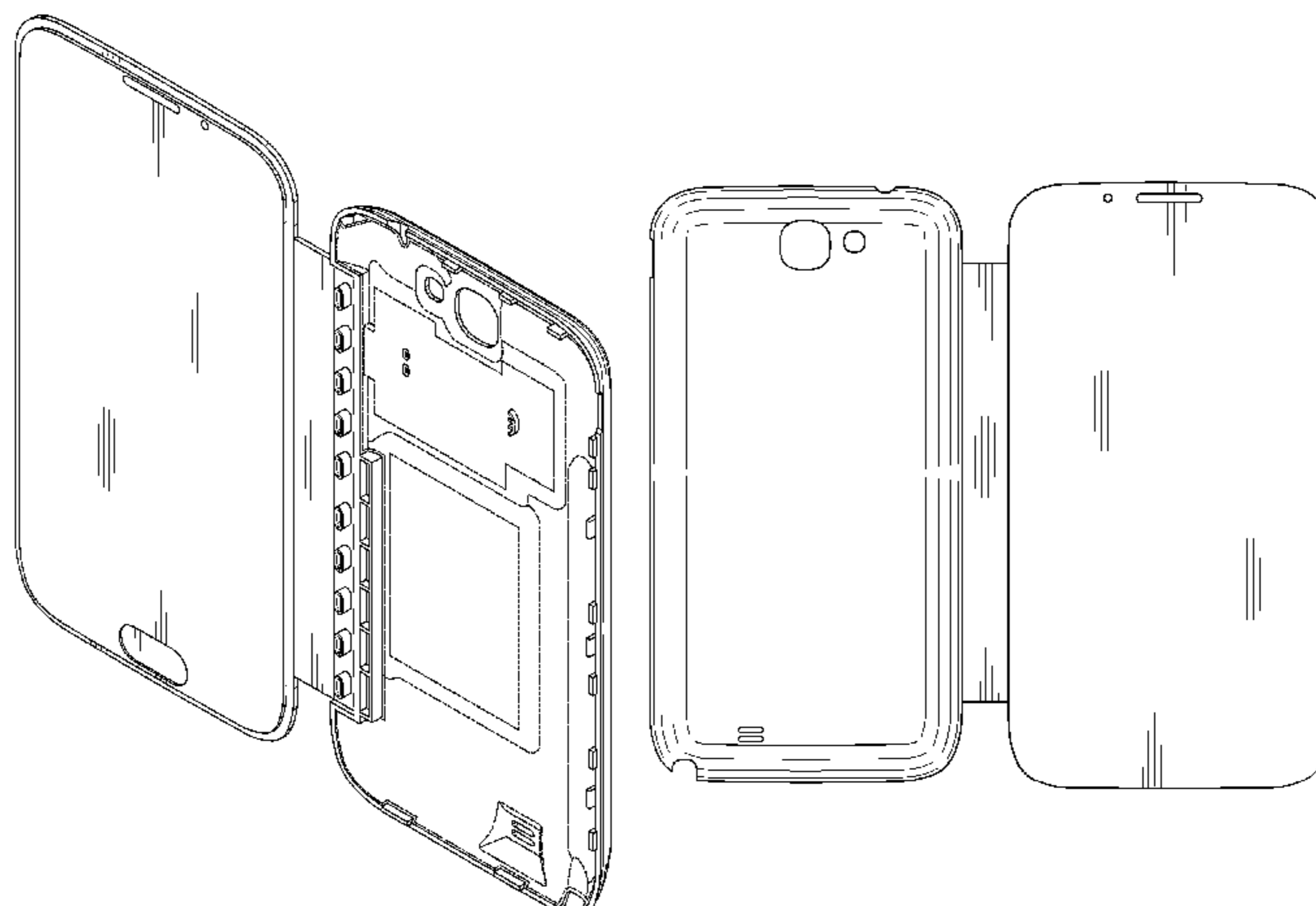
I claim the ornamental design for a case for portable electronic device, as shown and described.

DESCRIPTION

FIG. 1 is a front/right-side/top perspective view of a case for portable electronic device showing our new design;
FIG. 2 is a front elevational view thereof;
FIG. 3 is a rear elevational view thereof;
FIG. 4 is a left-side elevational view thereof;
FIG. 5 is a right-side elevational view thereof;
FIG. 6 is a top plan view thereof; and,
FIG. 7 is a bottom plan view thereof.

The dot-dash broken lines represent a boundary of the claimed design. The dash-dash broken lines depict unclaimed environment. The broken lines form no part of the claimed design.

1 Claim, 6 Drawing Sheets



(56)

References Cited

U.S. PATENT DOCUMENTS

D679,270	S *	4/2013	Eicher	D14/250
2009/0314400	A1 *	12/2009	Liu	150/165
2011/0290687	A1 *	12/2011	Han	206/320
2012/0178507	A1 *	7/2012	Lee	455/575.1
2012/0305424	A1 *	12/2012	Sogabe et al.	206/320
2012/0322518	A1 *	12/2012	Kim	455/575.8
2013/0015088	A1 *	1/2013	Wu	206/320
2013/0020214	A1 *	1/2013	Chiou	206/320
2013/0020215	A1 *	1/2013	Hsu	206/320

OTHER PUBLICATIONS

Androidizen review of Belkin Snap Folio Case for Samsung Galaxy Note 2, published on Jan 13, 2013, <URL:<http://www.youtube.com/watch?v=C52zLHKQSBw>>, retrieved from internet on May 13, 2013.*

Review of Kalaideng Galaxy S4 Oscar Series Book Flip Case, published on May 13, 2013, <URL:<http://www.youtube.com/watch?v=TpWeG4x-y0Q>>, retrieved from internet on Jun. 12, 2013.*

* cited by examiner

FIG.1

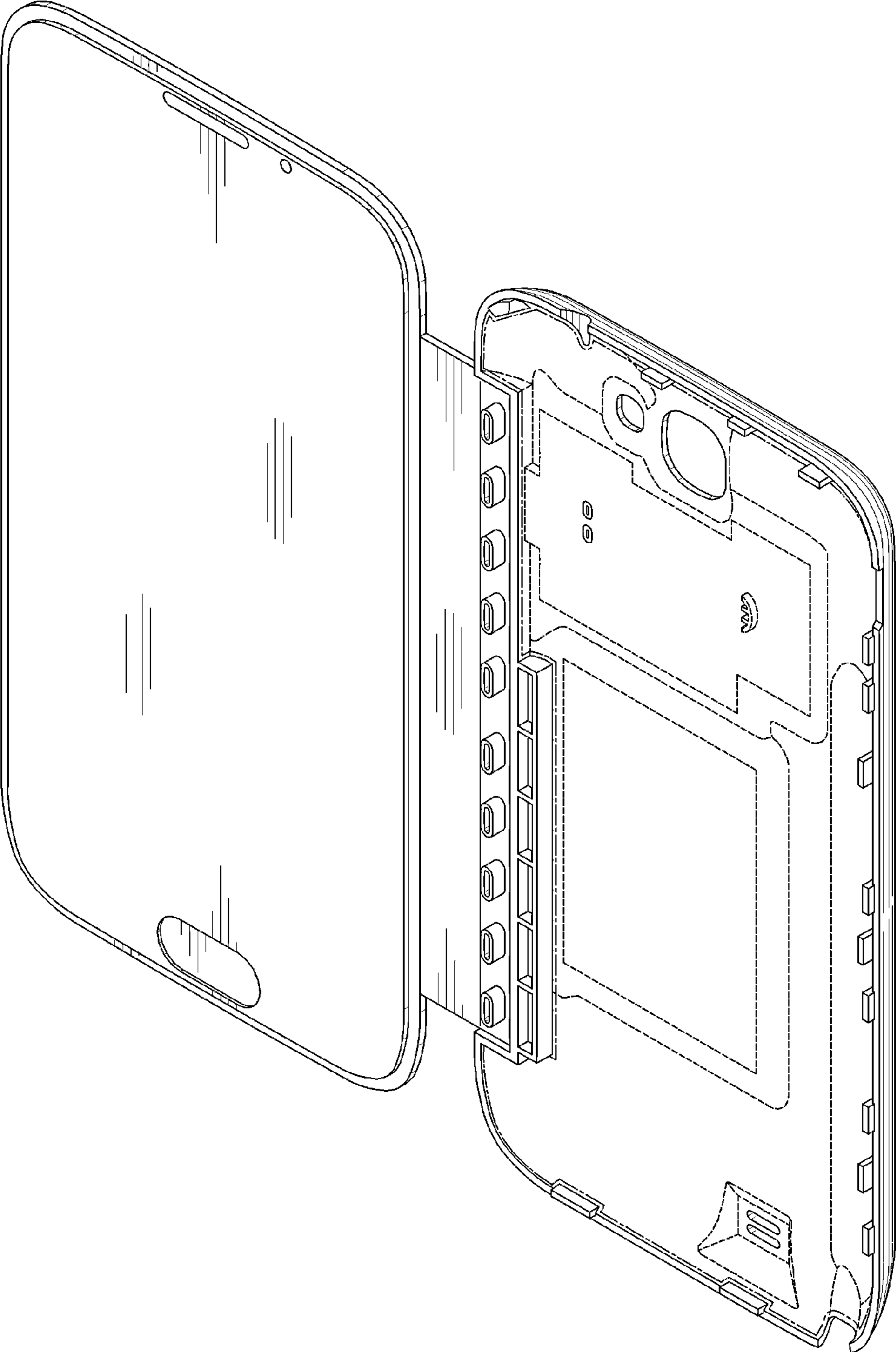


FIG.2

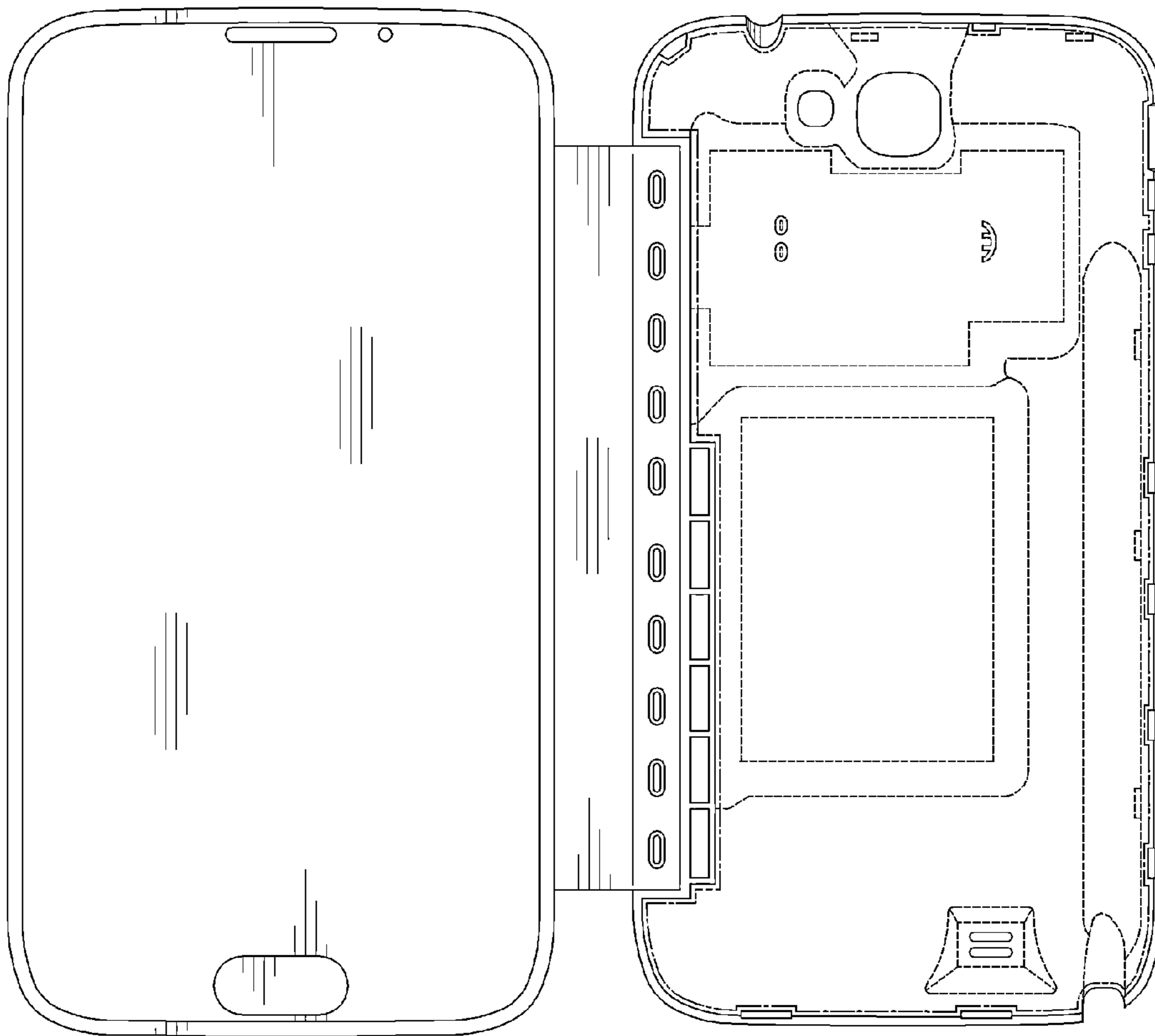


FIG.3

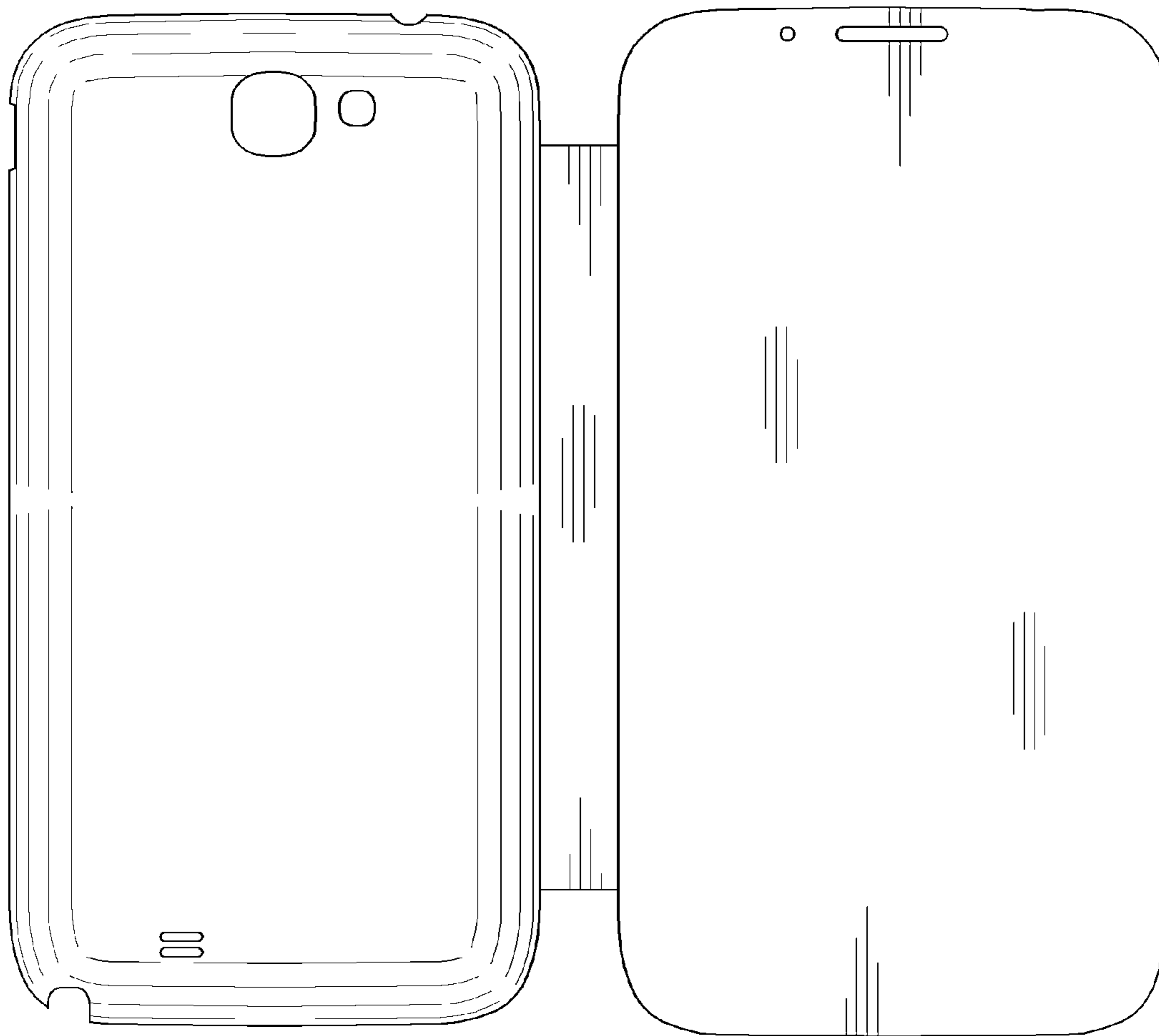


FIG.4

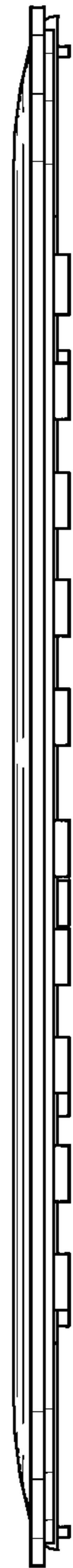


FIG.5

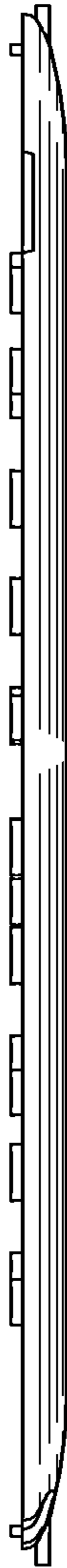


FIG.6

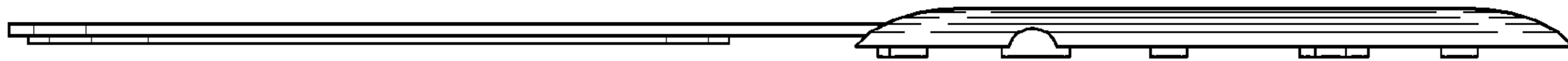


FIG.7

