



US00D707217S

(12) **United States Design Patent**
Toulotte

(10) **Patent No.:** **US D707,217 S**
(45) **Date of Patent:** **** Jun. 17, 2014**

(54) **PHONE COVER**

(71) Applicant: **Jean Jacques Toulotte**, Boston, MA
(US)

(72) Inventor: **Jean Jacques Toulotte**, Boston, MA
(US)

(73) Assignee: **Graphique de France, Ltd**, Woburn,
MA (US)

(**) Term: **14 Years**

(21) Appl. No.: **29/440,991**

(22) Filed: **Dec. 28, 2012**

(51) **LOC (10) Cl.** **14-03**

(52) **U.S. Cl.**

USPC **D14/250**

(58) **Field of Classification Search**

CPC B29C 45/1676; B29C 45/14819;
B29C 2045/167; B29C 2045/14942; B29L
2031/3437; B29L 2031/3475; G06F 1/1628;
H04M 1/0264; H04M 1/0265; H04M 1/0266;
H04M 1/0283

USPC D14/250–253, 440, 203.3–203.7, 217,
D14/496, 248, 238.1, 240, 447, 341–347,
D14/444; D13/103, 107–108, 119; D3/201,
D3/218, 247, 269, 273, 301, 303;
248/176.3, 188.8, 309.1, 371, 668;
361/220, 379.01, 679.01, 679.02,
361/679.09, 679.21, 679.25, 679.3, 679.4,
361/679.56, 679.57, 759, 807, 816;
379/433.11, 451, 455; 455/556.1, 557,
455/566, 575.1, 575.2, 575.8; 206/37, 45.2,
206/305, 320, 216; 320/108, 115; 429/96;
220/4.02; 150/165; 174/50; 235/41,
235/375, 462; 312/223.1; 396/535

See application file for complete search history.

(56) **References Cited**

U.S. PATENT DOCUMENTS

D395,749 S * 7/1998 Jayez D3/218

D401,055 S * 11/1998 Jayez D3/218
D407,215 S * 3/1999 Garrett, III D3/218
6,888,940 B1 5/2005 Deppen
D540,537 S * 4/2007 Azoulay D3/218
D557,894 S * 12/2007 Yeo D3/218
D559,532 S * 1/2008 Kwak et al. D3/218
D565,840 S * 4/2008 Kwak D3/218
D566,383 S * 4/2008 Harris et al. D3/218
D567,500 S * 4/2008 Kwak et al. D3/218
D580,854 S 11/2008 Kim et al.

(Continued)

FOREIGN PATENT DOCUMENTS

WO WO0018200 A1 3/2000
WO 2004108802 A1 12/2004

Primary Examiner — Carla Jobe Wright

(74) *Attorney, Agent, or Firm* — Antoinette G. Giugliano;
AGG Intellectual Property Law

(57) **CLAIM**

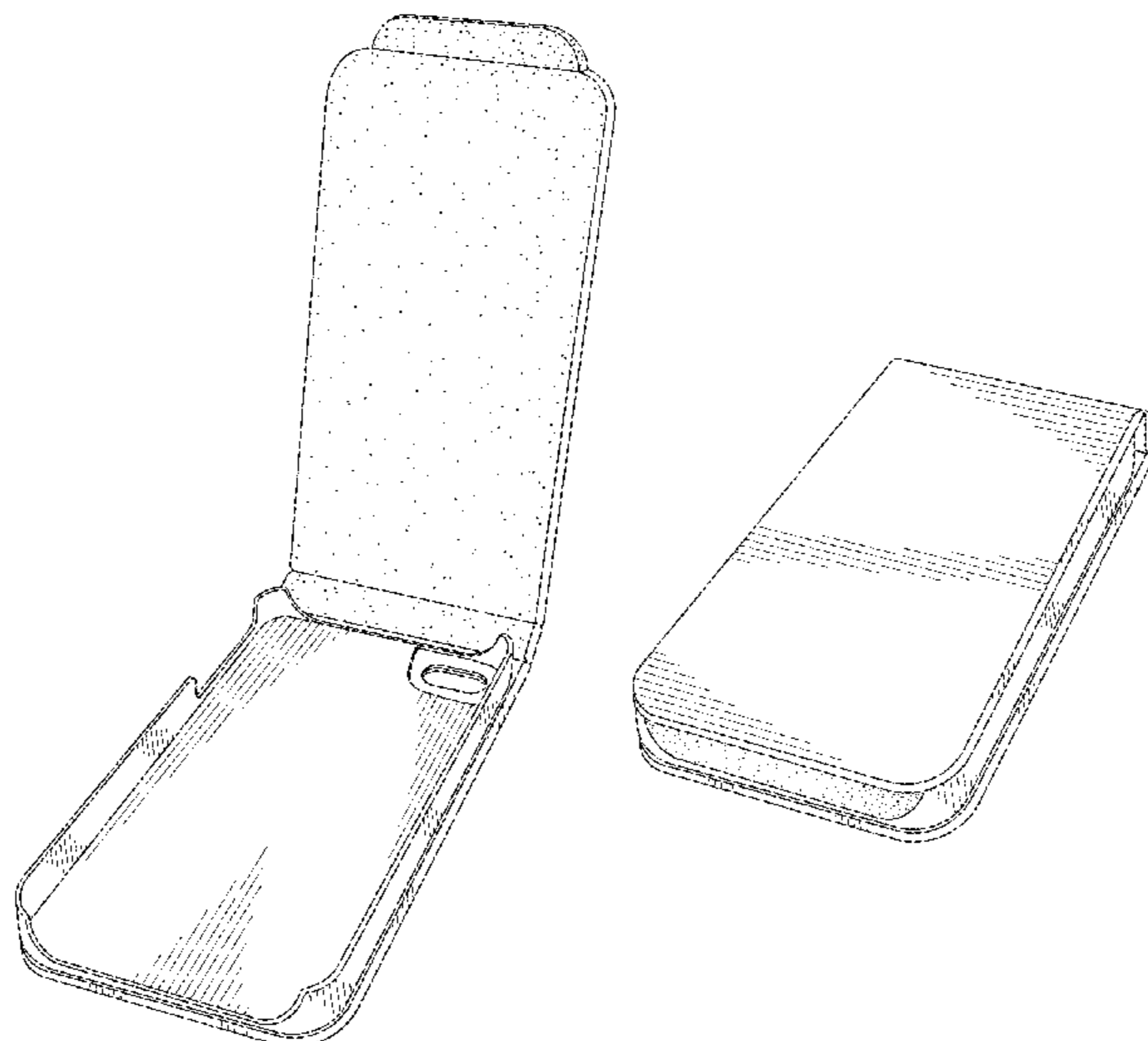
The ornamental design for a phone cover, as shown and
described.

DESCRIPTION

FIG. 1 is a perspective view of the phone cover of the present
invention shown in use with a phone in an open position.
FIG. 2 is a perspective view of the phone cover of the present
invention shown without a phone in an open position.
FIG. 3 is a front elevation view thereof.
FIG. 4 is a rear elevation view thereof.
FIG. 5 is a bottom view thereof.
FIG. 6 is a top view thereof.
FIG. 7 is a left side elevation view thereof.
FIG. 8 is a right side elevation view thereof; and,
FIG. 9 is a perspective view thereof shown in use in the closed
position.

The broken lines shown in FIG. 1 illustrate features of the
article to which the design is applied that form no part of the
claimed design.

1 Claim, 8 Drawing Sheets



(56)

References Cited

U.S. PATENT DOCUMENTS

| | | | | | |
|--------------|------|---------|---------------------|-----------|--|
| 7,496,195 | B2 | 2/2009 | Kramer | | |
| D601,959 | S * | 10/2009 | Lee et al. | D13/119 | |
| D601,960 | S * | 10/2009 | Dai | D13/119 | |
| 7,666,053 | B2 | 2/2010 | O'Keefe | | |
| 7,735,644 | B2 | 6/2010 | Sirichai et al. | | |
| 7,775,567 | B2 | 8/2010 | Lightenberg et al. | | |
| 8,028,872 | B2 | 10/2011 | Hamlin | | |
| 8,047,365 | B1 | 11/2011 | Lin et al. | | |
| 8,132,670 | B1 | 3/2012 | Chen | | |
| 8,167,127 | B2 | 5/2012 | Martin et al. | | |
| D666,149 | S * | 8/2012 | Sacks | D13/119 | |
| D668,045 | S * | 10/2012 | Robbins et al. | D3/269 | |
| 2005/0161352 | A1 | 7/2005 | Huddleston | | |
| 2006/0054647 | A1 | 3/2006 | Kathrein et al. | | |
| 2006/0105821 | A1 | 5/2006 | Goradesky et al. | | |
| 2006/0279098 | A1 | 12/2006 | Shiple et al. | | |
| 2008/0138551 | A1 | 6/2008 | Gordon | | |
| 2009/0314400 | A1 * | 12/2009 | Liu | 150/165 | |
| 2010/0062816 | A1 * | 3/2010 | Yu | 455/575.8 | |
| 2010/0171234 | A1 | 7/2010 | Lee et al. | | |
| 2011/0059781 | A1 | 3/2011 | Sin | | |
| 2011/0077061 | A1 | 3/2011 | Danze | | |
| 2011/0079619 | A1 | 4/2011 | Lewis | | |
| 2011/0303560 | A1 | 12/2011 | Friedman et al. | | |
| 2012/0178507 | A1 * | 7/2012 | Lee | 455/575.1 | |
| 2012/0251806 | A1 | 10/2012 | Jeschike et al. | | |
| 2012/0252543 | A1 | 10/2012 | Cho | | |
| 2012/0261930 | A1 | 10/2012 | Bethea | | |

* cited by examiner

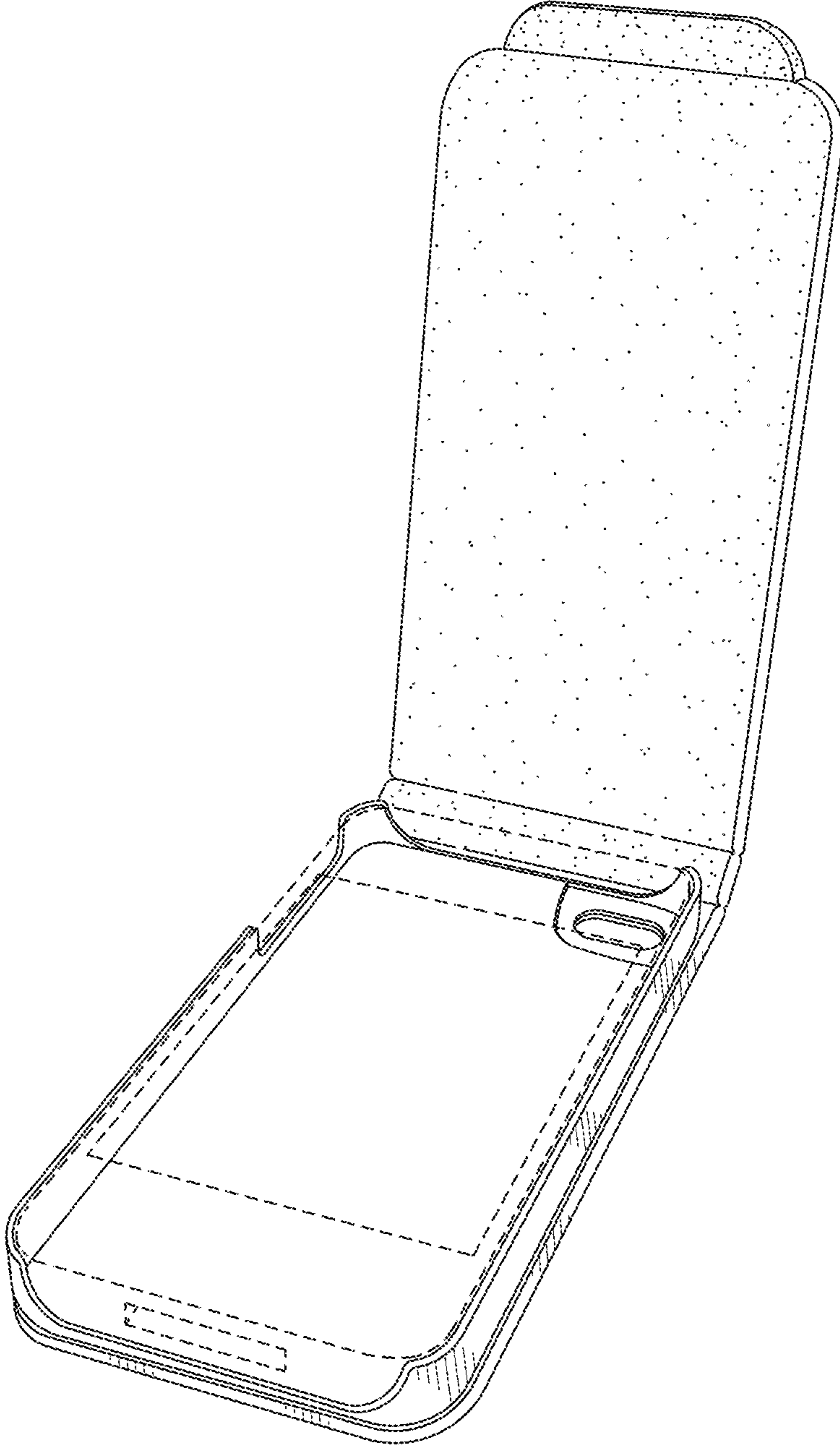


FIG. 1

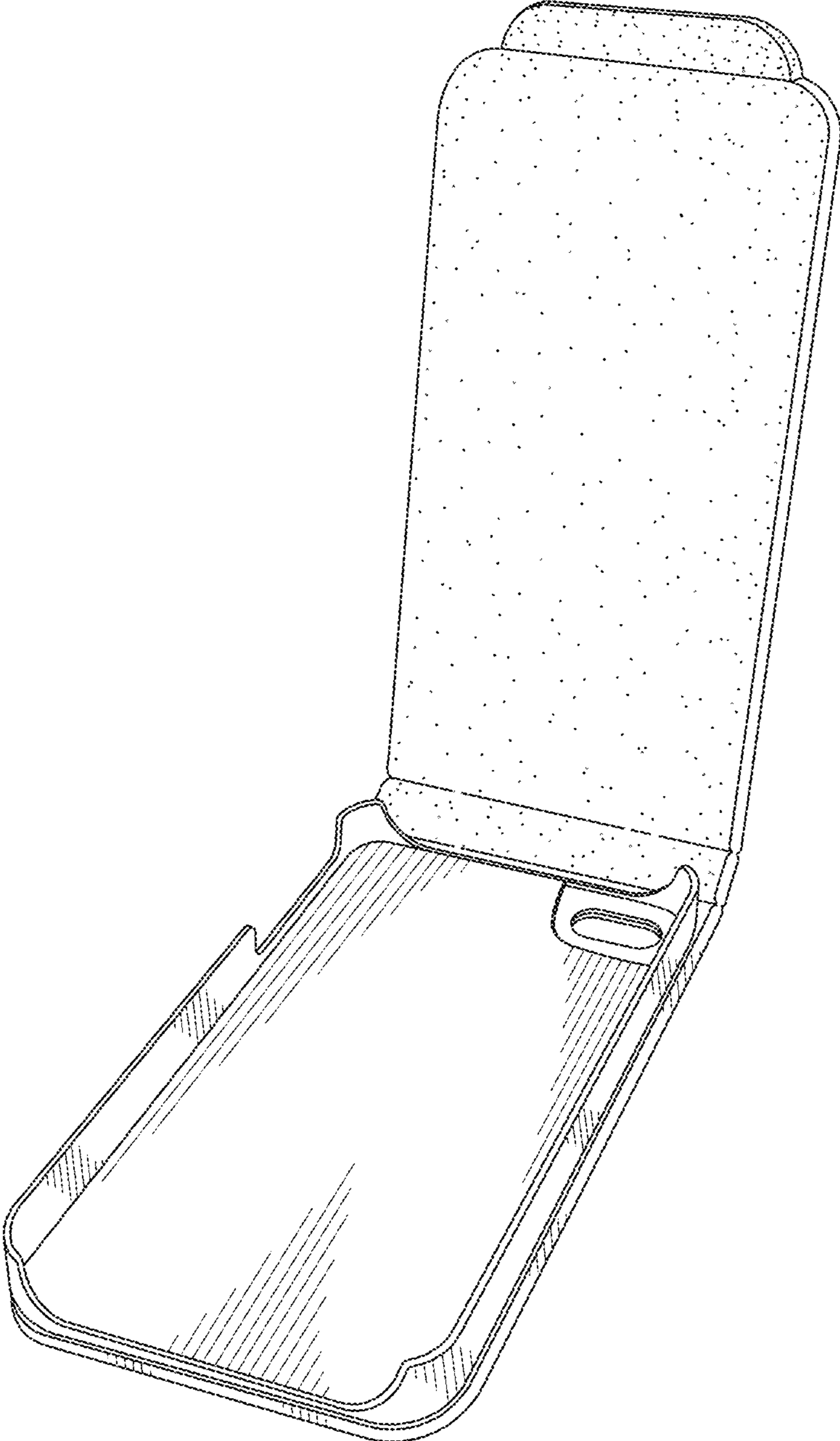


FIG. 2

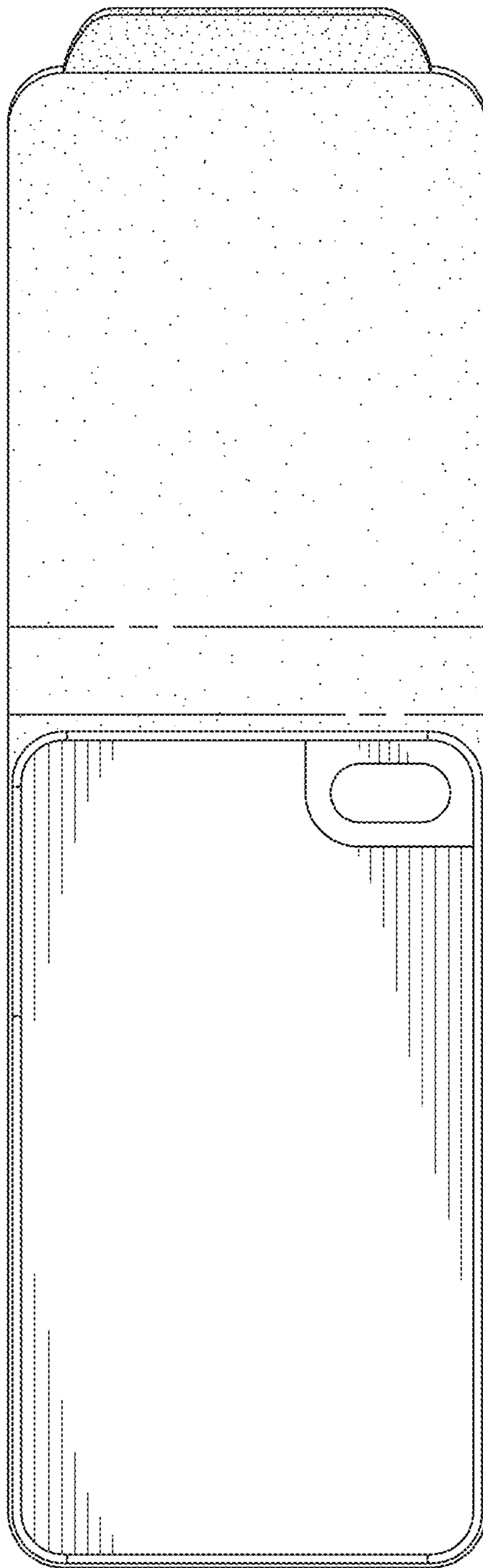


FIG. 3

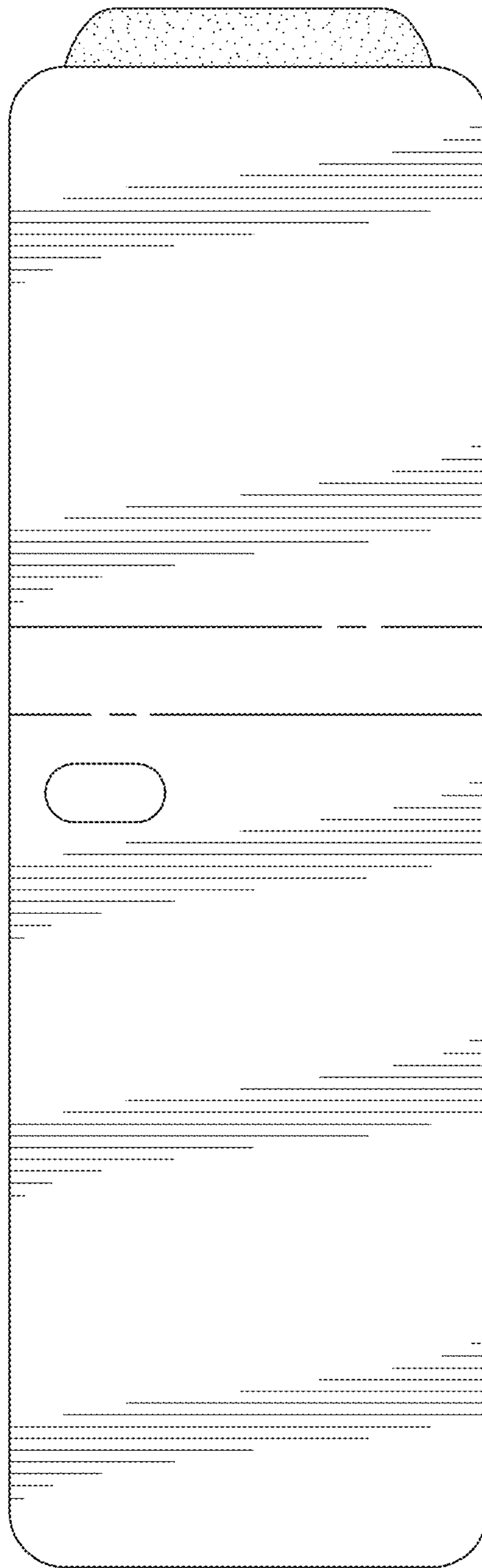


FIG. 4

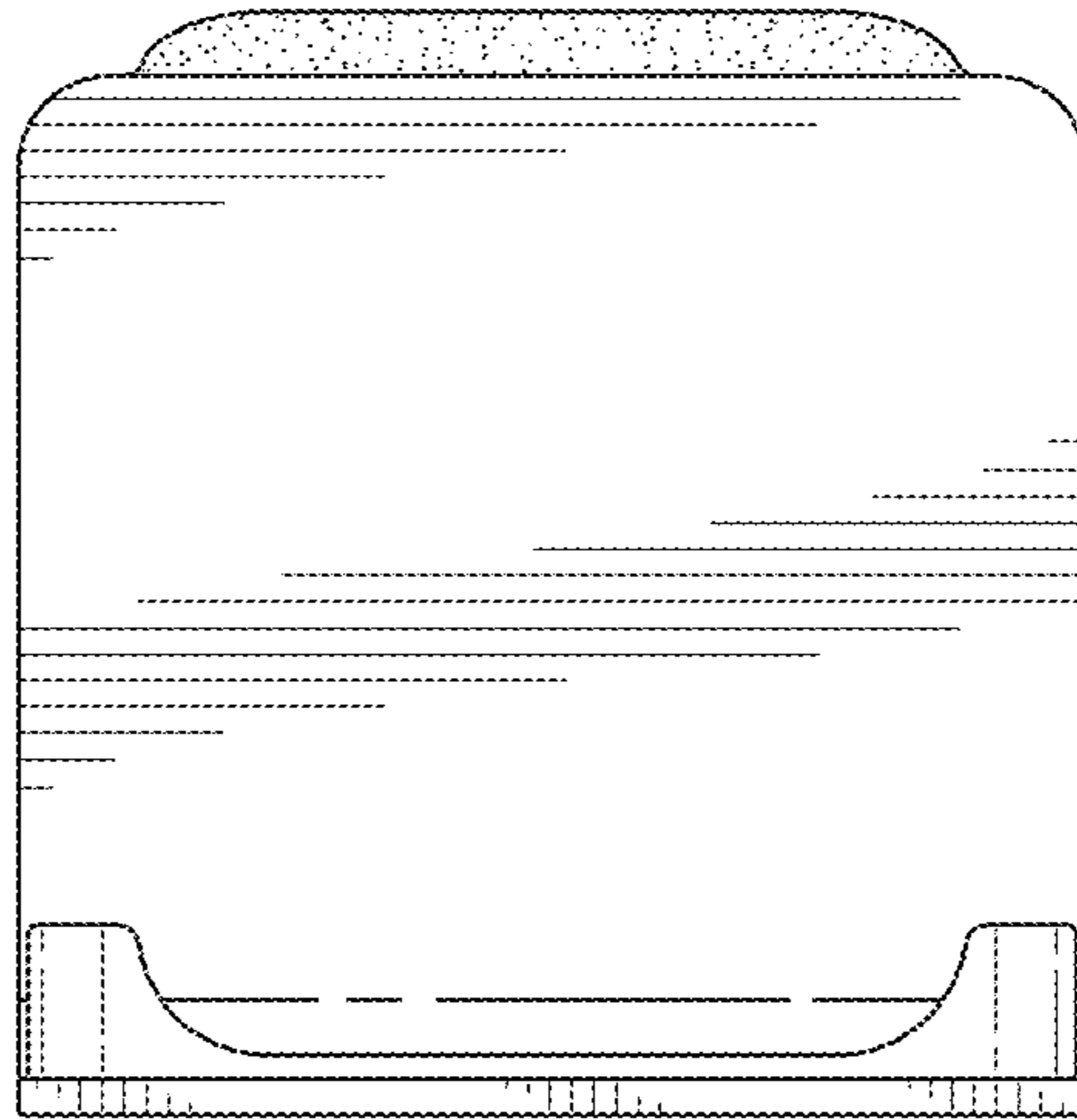


FIG. 5

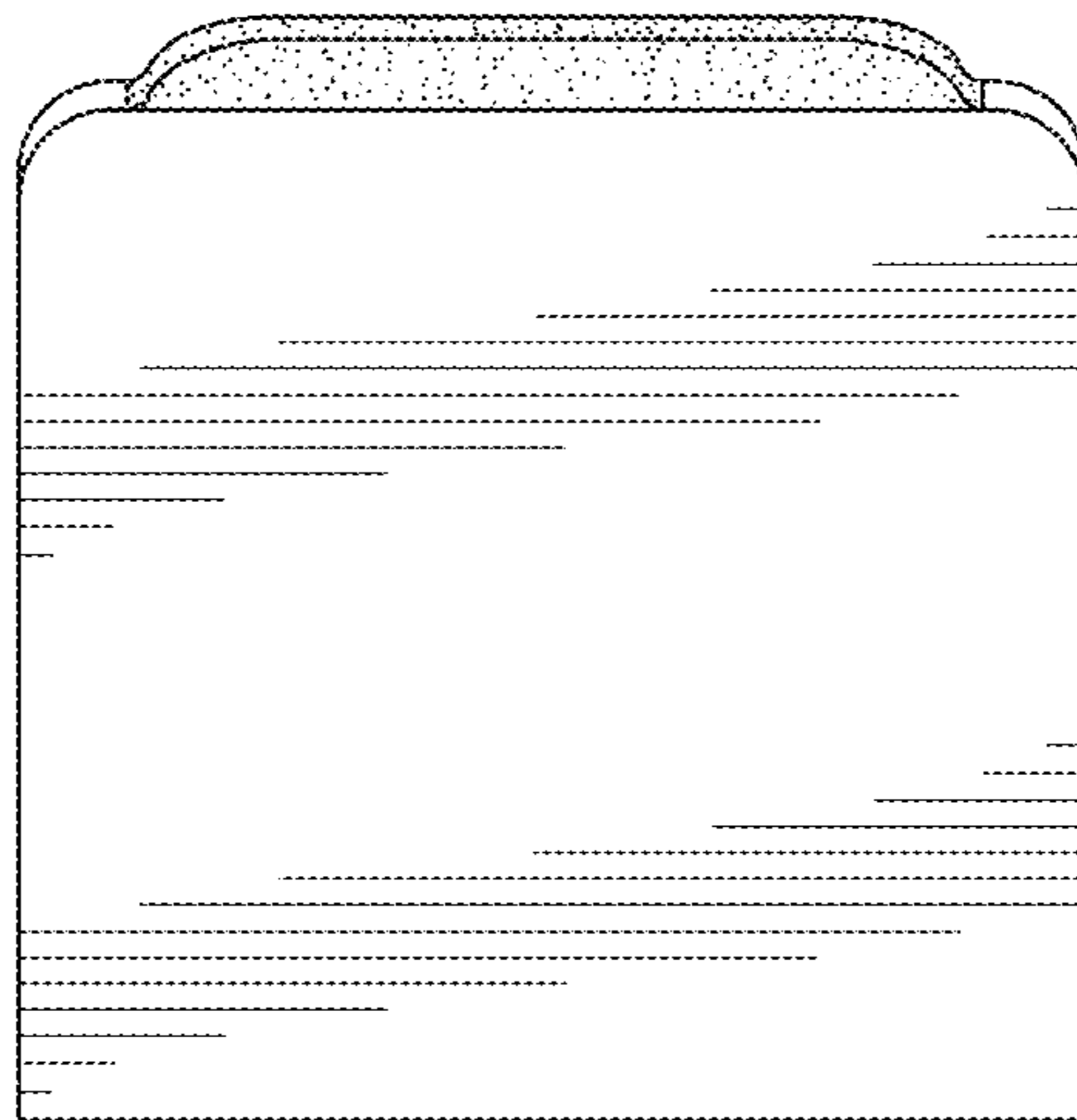


FIG. 6

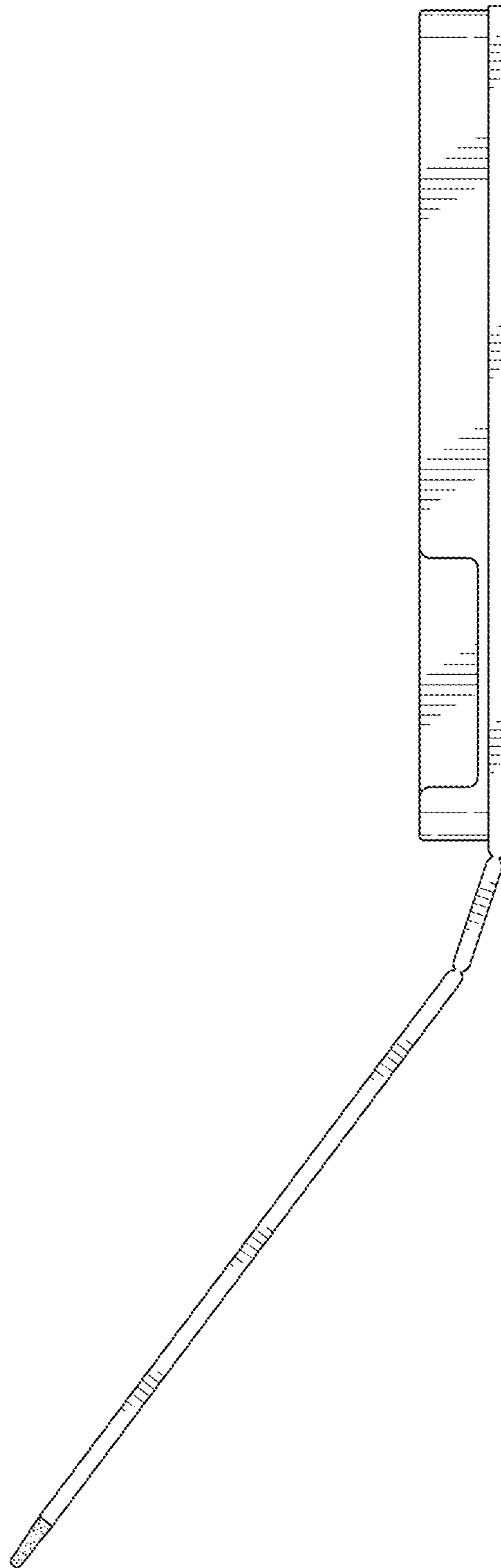


FIG. 7

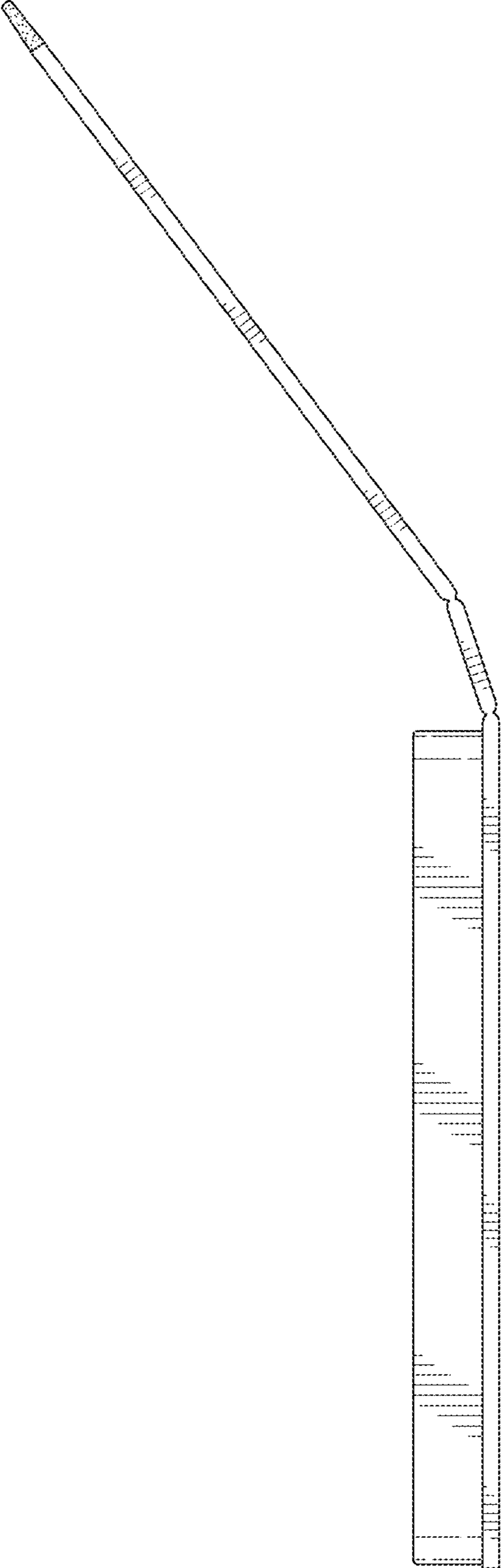


FIG. 8

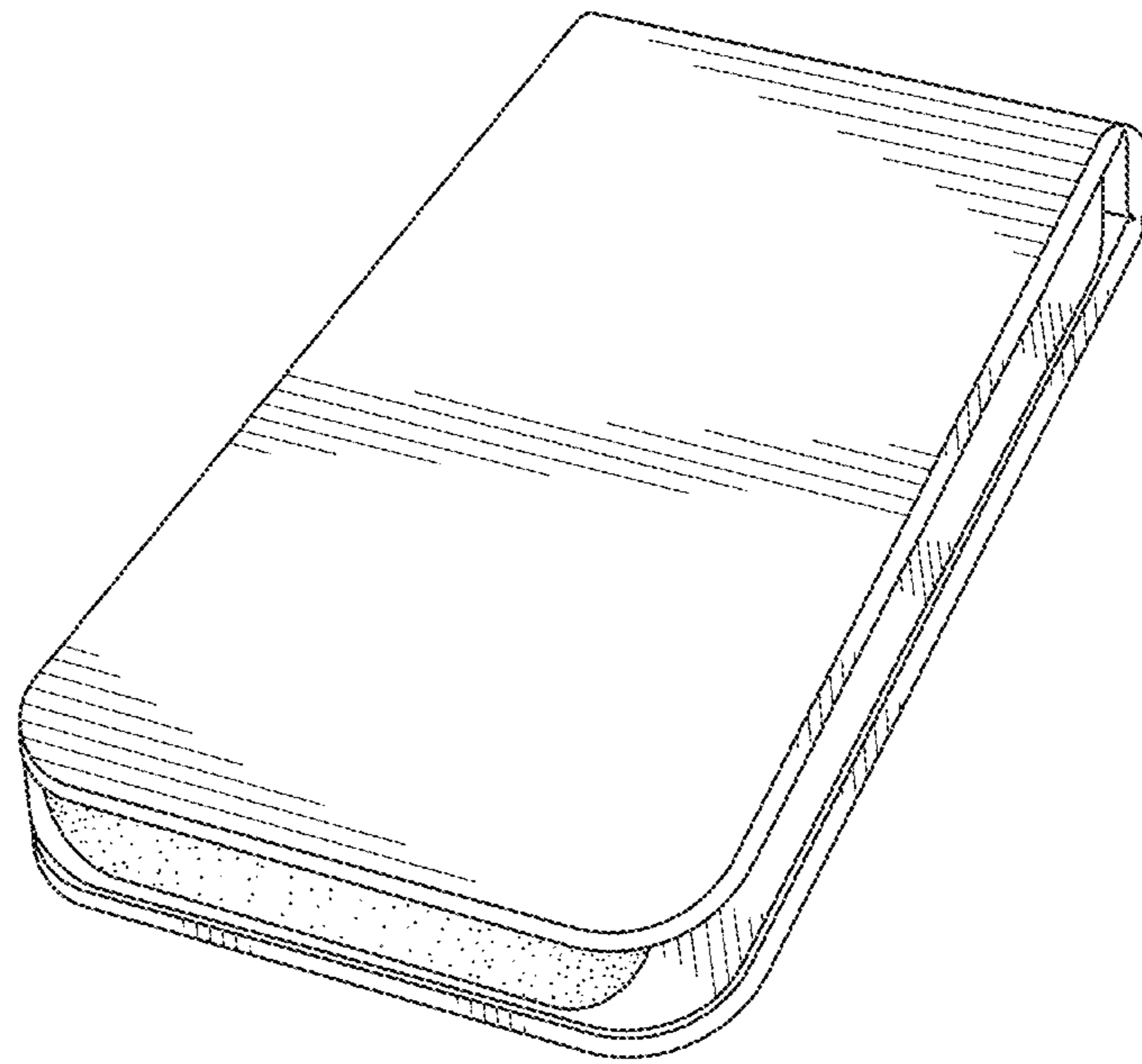


FIG. 9