



US00D707211S

(12) **United States Design Patent**  
**Ho et al.**

(10) **Patent No.:** **US D707,211 S**  
(45) **Date of Patent:** **\*\* Jun. 17, 2014**

(54) **MOBILE HOTSPOT DEVICE HAVING A  
CYLINDRICAL BATTERY PACK AND  
INTEGRATED KICKSTAND**

(71) Applicant: **Novatel Wireless, Inc.**, San Diego, CA  
(US)

(72) Inventors: **Kwun Ho**, San Diego, CA (US); **John  
Jiang**, San Diego, CA (US); **Pedro  
Gutierrez**, San Diego, CA (US); **Tony  
Ornelas**, San Diego, CA (US); **Mahsa  
Nakhjiri**, San Diego, CA (US)

(73) Assignee: **Novatel Wireless, Inc.**, San Diego, CA  
(US)

(\*\*) Term: **14 Years**

(21) Appl. No.: **29/440,366**

(22) Filed: **Dec. 20, 2012**

(51) **LOC (10) Cl.** ..... **14-03**

(52) **U.S. Cl.**  
USPC ..... **D14/240**

(58) **Field of Classification Search**  
USPC ..... D14/242, 240, 435.1, 357, 358,  
D14/140-140.9, 155, 137, 139, 243, 348,  
D14/349, 351, 354, 355, 138 AD; 375/222;  
455/557; 725/111

See application file for complete search history.

(56) **References Cited**

U.S. PATENT DOCUMENTS

D293,467 S \* 12/1987 Elkerbout ..... D24/186  
D310,209 S \* 8/1990 Kasprzycki ..... D14/346  
D316,549 S \* 4/1991 Hampf ..... D14/159

(Continued)

Primary Examiner — Bridget L Eland

(74) Attorney, Agent, or Firm — AlbertDhand LLP

(57) **CLAIM**

We claim the ornamental design for a mobile hotspot device having a cylindrical battery pack and integrated kickstand, substantially as shown and described.

**DESCRIPTION**

FIG. 1 is a first perspective view of a mobile hotspot device having a cylindrical battery pack and integrated kickstand, wherein the integrated kickstand is oriented in an aligned position, illustrating the claimed design;

FIG. 2 is a top view of a mobile hotspot device having a cylindrical battery pack and integrated kickstand, wherein the integrated kickstand is oriented in an aligned position, illustrating the claimed design;

FIG. 3 is a bottom view of a mobile hotspot device having a cylindrical battery pack and integrated kickstand, wherein the integrated kickstand is oriented in an aligned position, illustrating the claimed design;

FIG. 4 is a frontal view of a mobile hotspot device having a cylindrical battery pack and integrated kickstand, wherein the integrated kickstand is oriented in an aligned position, illustrating the claimed design;

FIG. 5 is a rear view of a mobile hotspot device having a cylindrical battery pack and integrated kickstand, wherein the integrated kickstand is oriented in an aligned position, illustrating the claimed design;

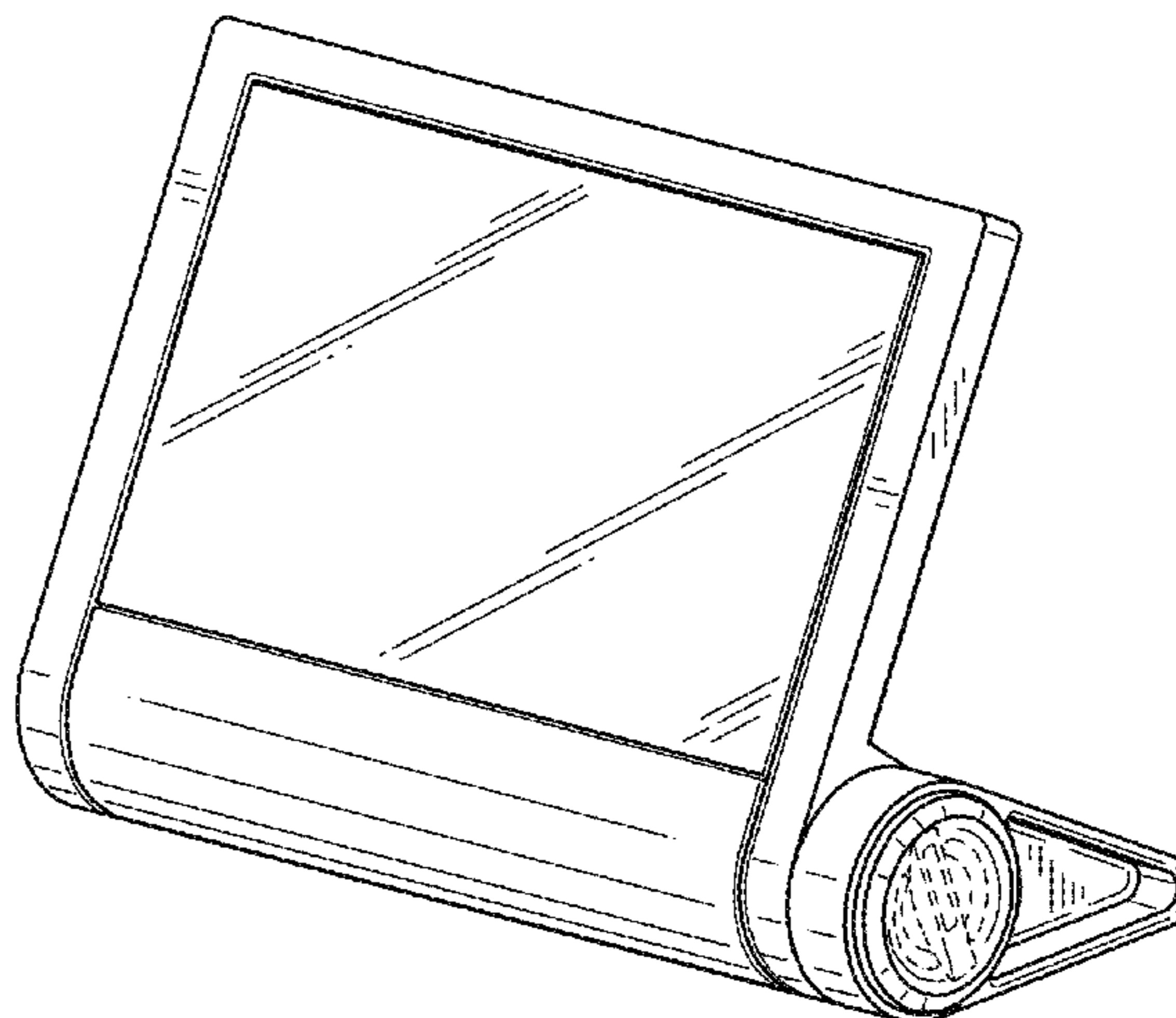
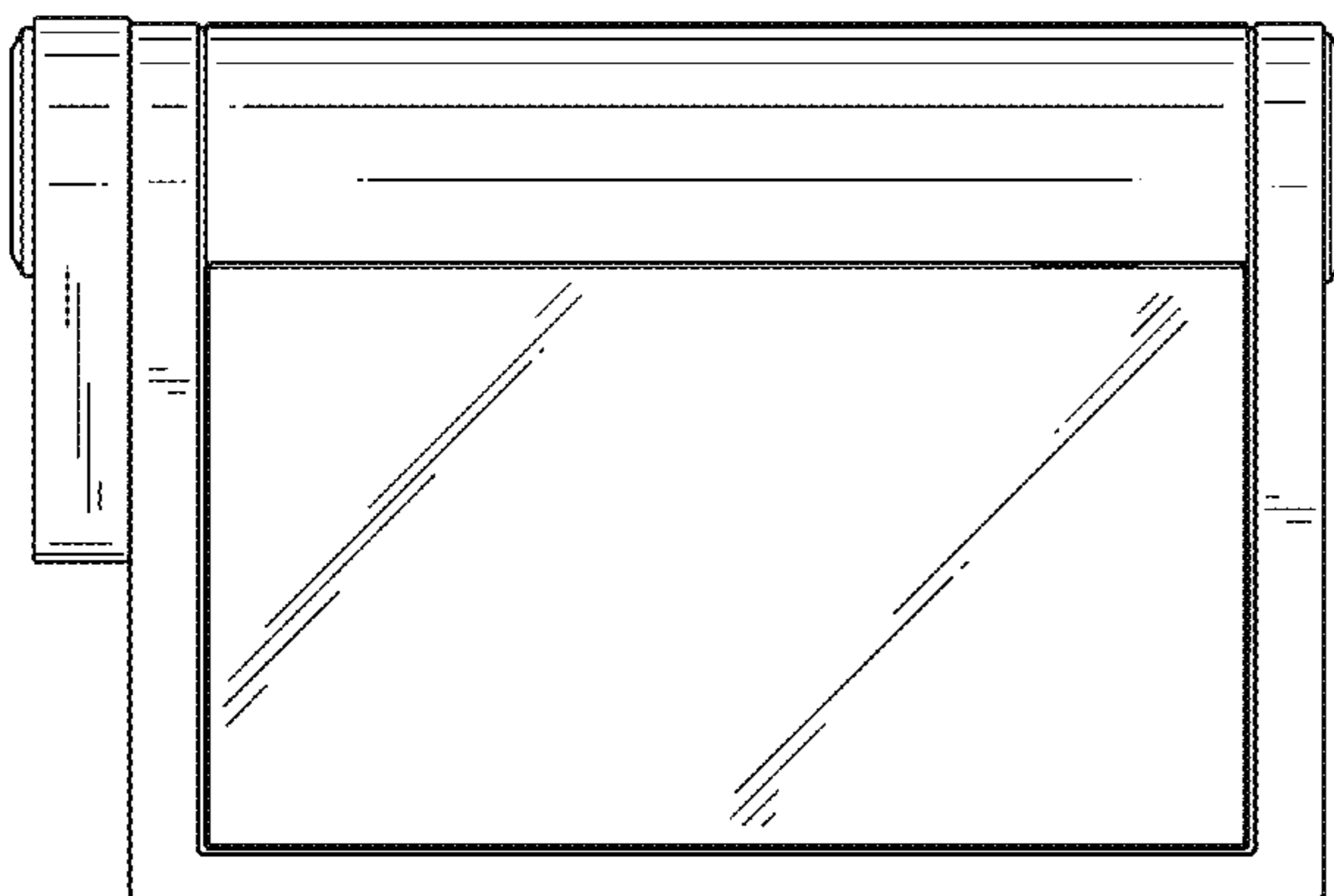
FIG. 6 is a first side view of a mobile hotspot device having a cylindrical battery pack and integrated kickstand, wherein the integrated kickstand is oriented in an aligned position, illustrating the claimed design;

FIG. 7 is a second side view of a mobile hotspot device having a cylindrical battery pack and integrated kickstand, wherein the integrated kickstand is oriented in an aligned position, illustrating the claimed design; and,

FIG. 8 is a second perspective view of a mobile hotspot device having a cylindrical battery pack and integrated kickstand, wherein the integrated kickstand is oriented in a rotated position, illustrating the claimed design.

The broken lines immediately adjacent the shaded areas represent the bounds of the claimed design while all other broken lines are directed to environment and are for illustrative purposes only; the broken lines form no part of the claimed design.

**1 Claim, 6 Drawing Sheets**



(56)

**References Cited**

U.S. PATENT DOCUMENTS

D378,678 S *	4/1997	Tyneski et al. ....	D14/137	D664,144 S *	7/2012	Akana et al. ....	D14/389
D447,136 S *	8/2001	Groves et al. ....	D14/336	D667,404 S *	9/2012	Akana et al. ....	D14/389
D463,417 S *	9/2002	Chan et al. ....	D14/242	D682,829 S *	5/2013	Wu et al. ....	D14/358
D529,910 S *	10/2006	Ota .....	D14/374	8,511,847 B2 *	8/2013	Sharrah et al. ....	362/199
7,167,158 B2 *	1/2007	Silverbrook .....	345/156	D689,483 S *	9/2013	Wu et al. ....	D14/358
D630,355 S *	1/2011	Gulker .....	D26/37	D690,692 S *	10/2013	Shin .....	D14/341
D633,093 S *	2/2011	Andre et al. ....	D14/392	2002/0069364 A1 *	6/2002	Dosch .....	713/200
D641,021 S *	7/2011	Andre et al. ....	D14/392	2007/0113440 A1 *	5/2007	Asvadi .....	40/544
				2007/0241002 A1 *	10/2007	Wu et al. ....	206/150
				2013/0195088 A1 *	8/2013	Ho et al. ....	370/338

\* cited by examiner

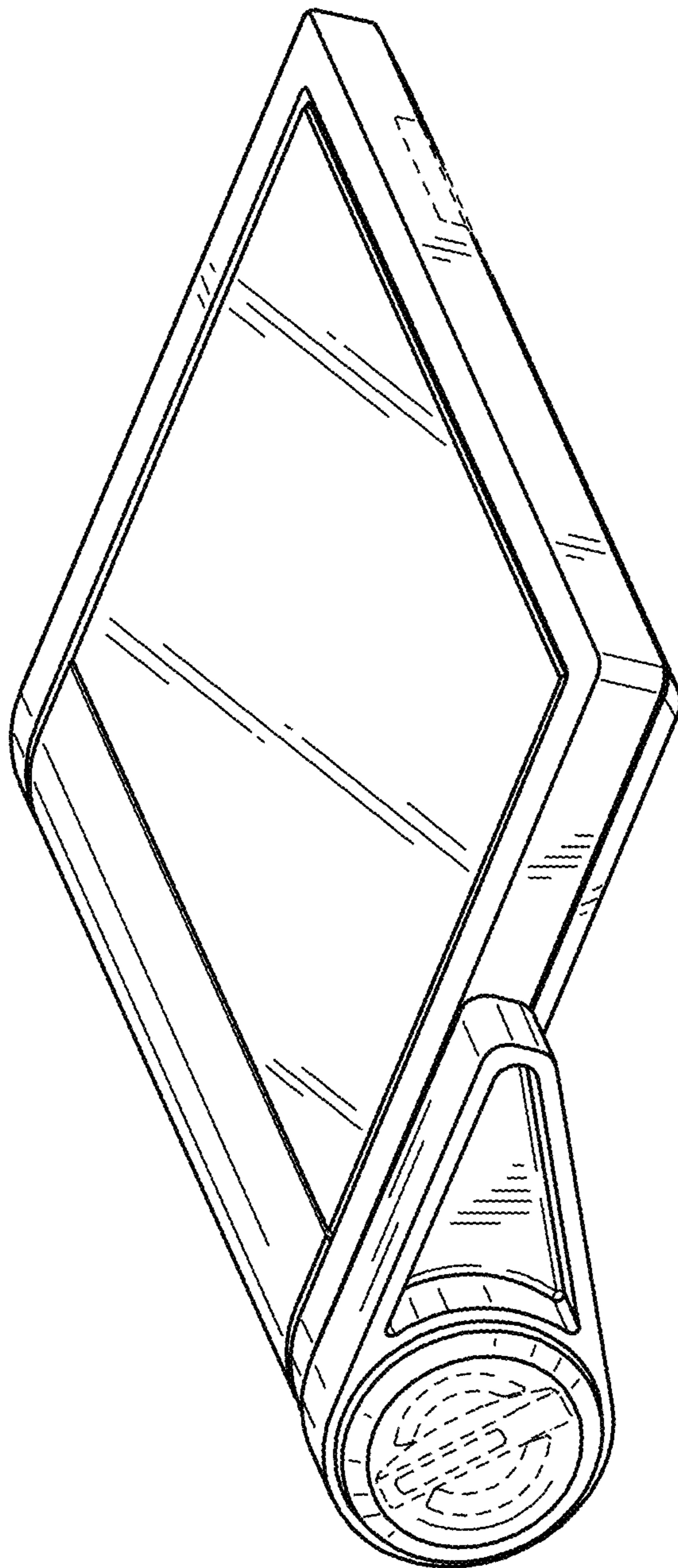


FIG. 1

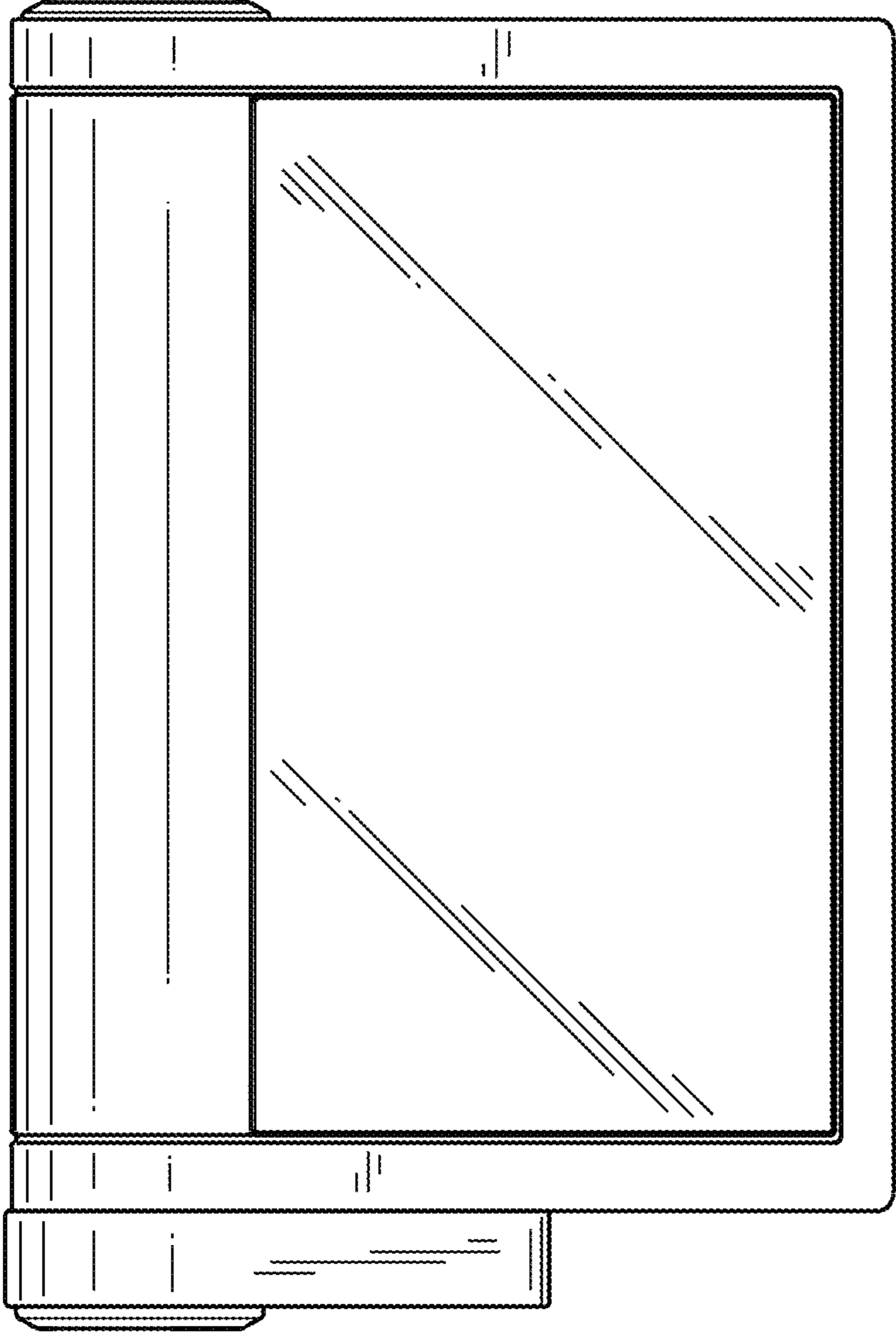


FIG. 2

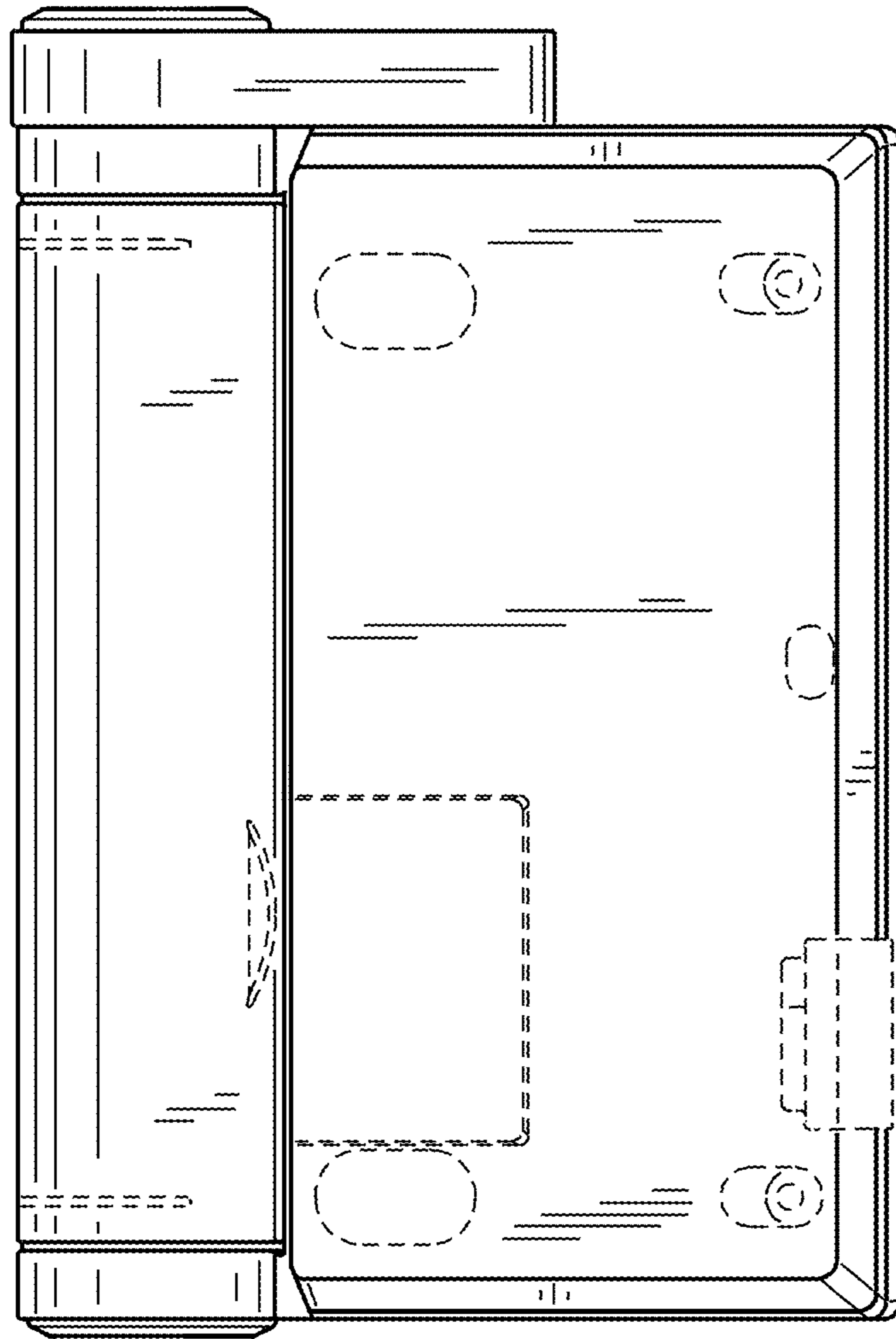


FIG. 3

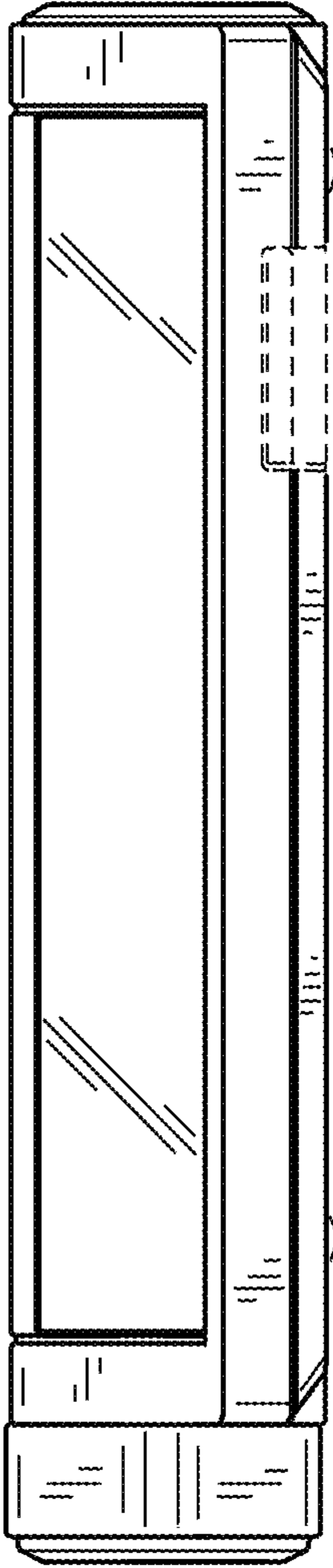


FIG. 4

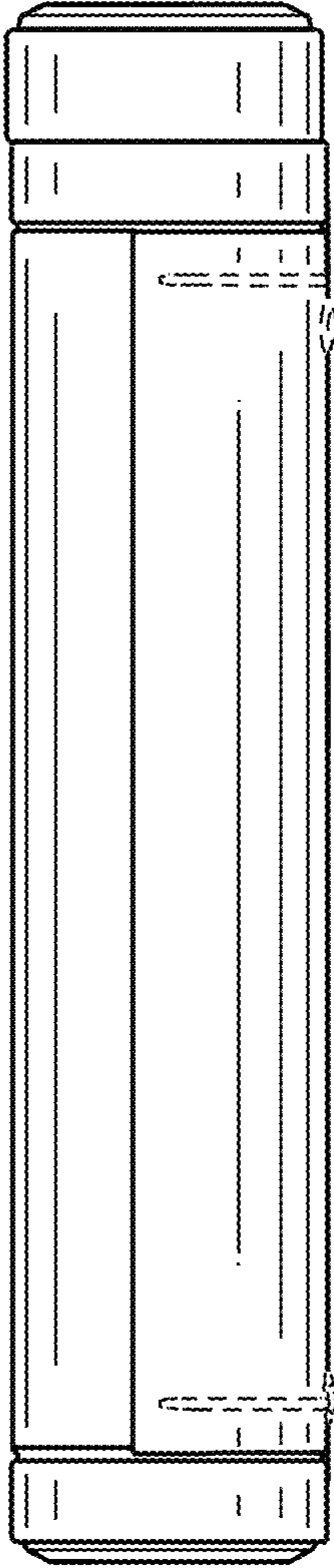


FIG. 5

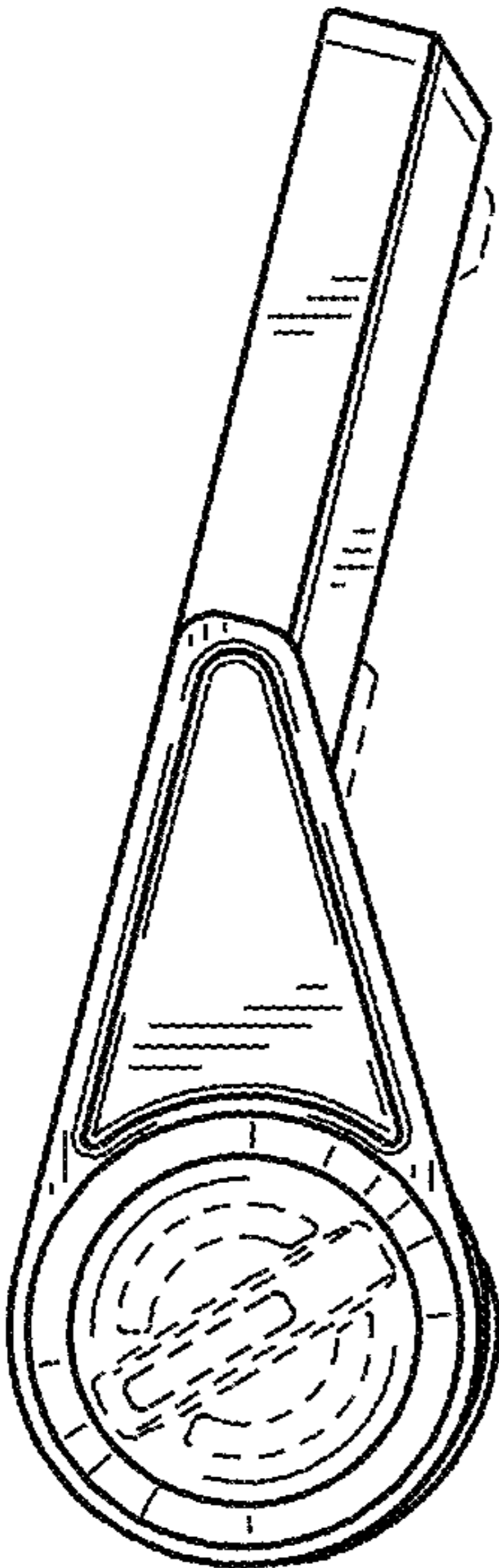


FIG. 6

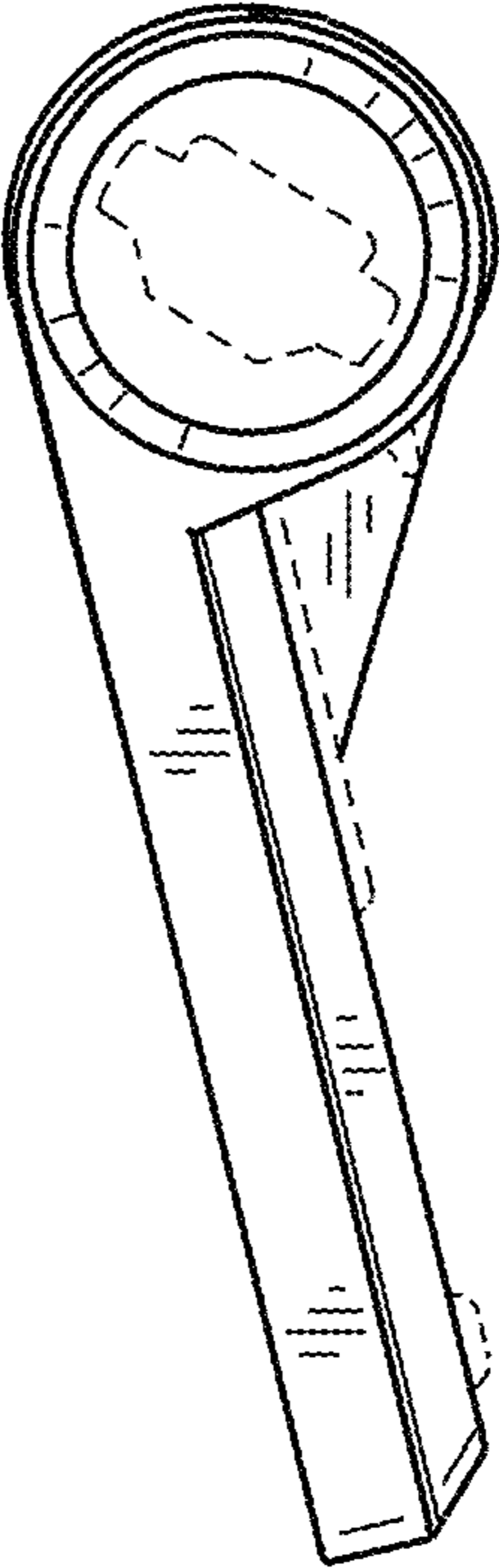


FIG. 7

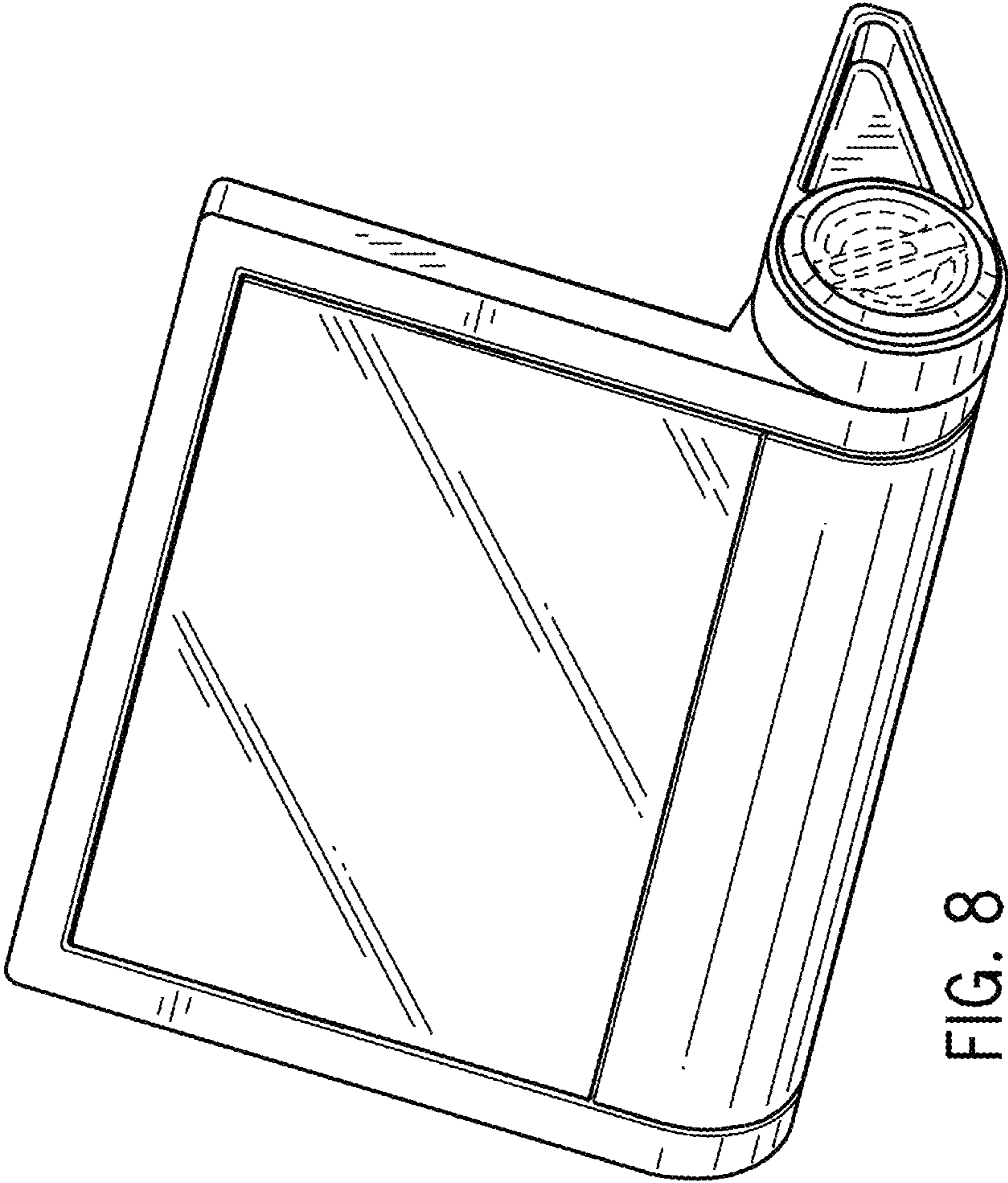


FIG. 8