

US00D707210S

(12) **United States Design Patent**  
**Malasani et al.**

(10) **Patent No.:** **US D707,210 S**  
(45) **Date of Patent:** **\*\* Jun. 17, 2014**

(54) **WIRELESS INTERNET ROUTER WITH A ROUTER STAND**

*Primary Examiner* — Bridget L Eland

(71) Applicants: **Rammohan Malasani**, Taipei (TW);  
**Jim Yuan**, Taipei (TW)

(57) **CLAIM**

We claim the ornamental design for a wireless internet router with a router stand, as shown and described.

(72) Inventors: **Rammohan Malasani**, Taipei (TW);  
**Jim Yuan**, Taipei (TW)

(\*\*) Term: **14 Years**

**DESCRIPTION**

(21) Appl. No.: **29/440,026**

(22) Filed: **Dec. 18, 2012**

(51) **LOC (10) Cl.** ..... **14-03**

(52) **U.S. Cl.**  
USPC ..... **D14/240**

(58) **Field of Classification Search**  
USPC ..... D14/242, 240, 435.1, 357, 358,  
D14/140-140.9, 155, 137, 139, 243, 348,  
D14/349, 351, 354, 355, 138 AD; 375/222;  
455/557; 725/111

See application file for complete search history.

FIG. 1 is a backside perspective view of the wireless internet router and attached router stand of the claimed design.

FIG. 2 is another backside perspective view of the wireless internet router and router stand, showing the router detached from the router stand.

FIG. 3 is a backside view of the wireless internet router of the claimed design.

FIG. 4 is a bottom side view of the wireless internet router of the claimed design.

FIG. 5 is a front side view of the wireless internet router of the claimed design.

FIG. 6 is a top side view of the wireless internet router of the claimed design.

FIG. 7 is a left side view of the wireless internet router of the claimed design.

FIG. 8 is a right side view of the wireless internet router of the claimed design; and,

FIG. 9 is a front side view of the router stand of the claimed design.

The broken lines showing certain functional parts of the router and router stand form no part of the claimed design.

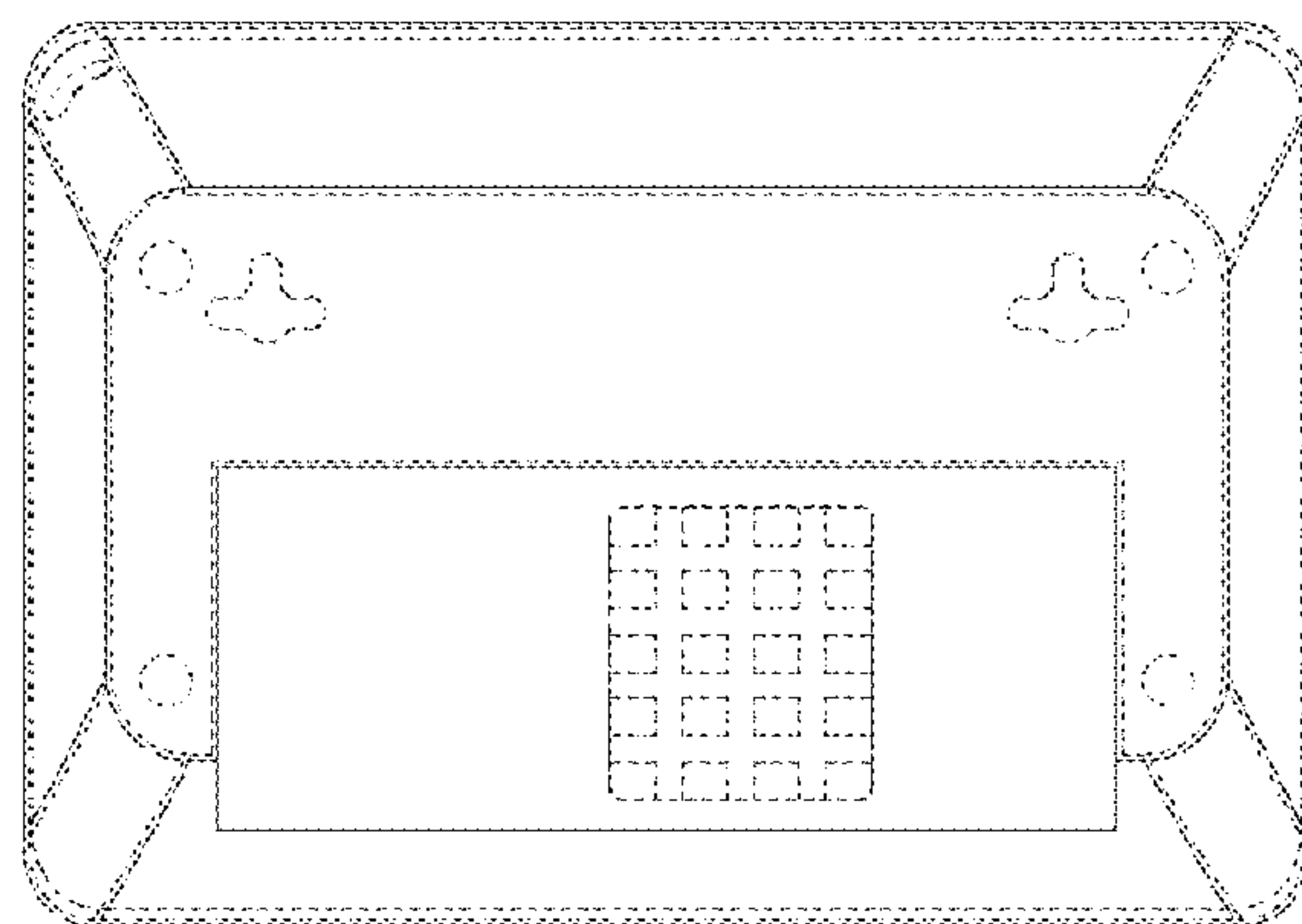
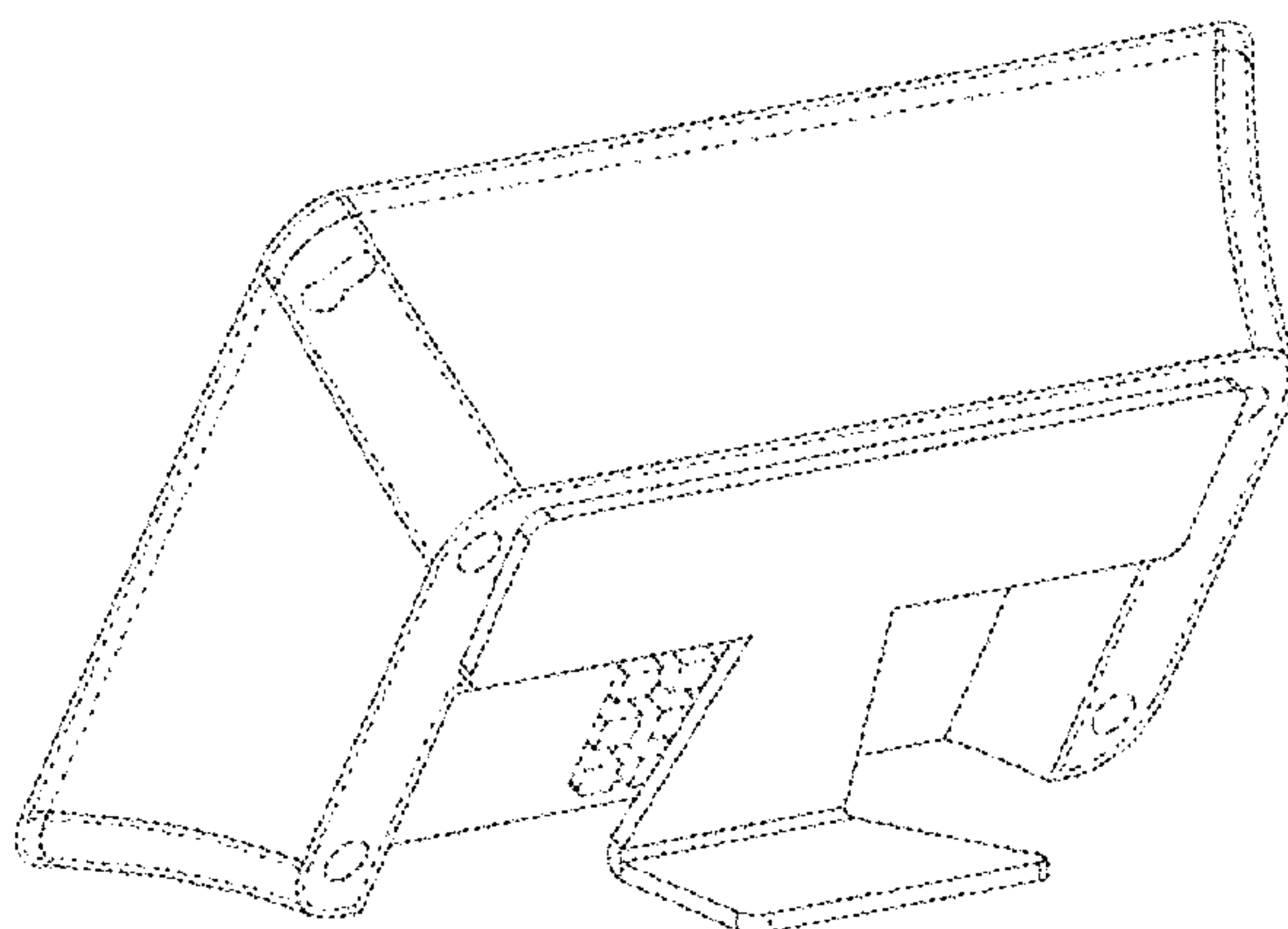
(56) **References Cited**

**U.S. PATENT DOCUMENTS**

D306,583 S *	3/1990	Krolopp et al. ....	D14/137
D483,353 S *	12/2003	Hyogo .....	D14/240
D541,683 S *	5/2007	Shiono .....	D10/65
D580,933 S *	11/2008	Ju et al. ....	D14/358
D687,424 S *	8/2013	Petersen et al. ....	D14/240
D687,817 S *	8/2013	Petersen et al. ....	D14/240
D695,282 S *	12/2013	Malasani et al. ....	D14/240

\* cited by examiner

**1 Claim, 9 Drawing Sheets**



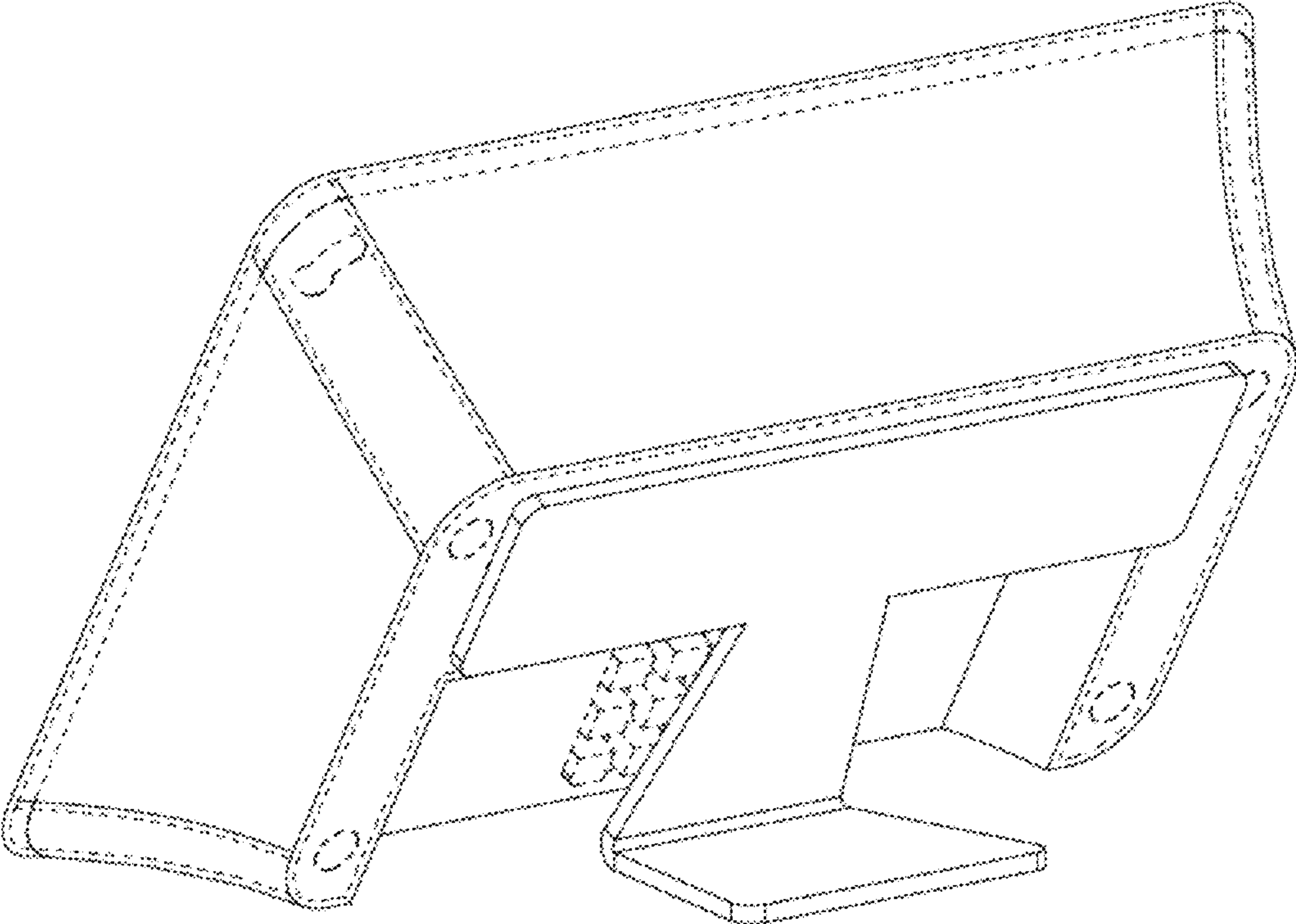


FIGURE 1

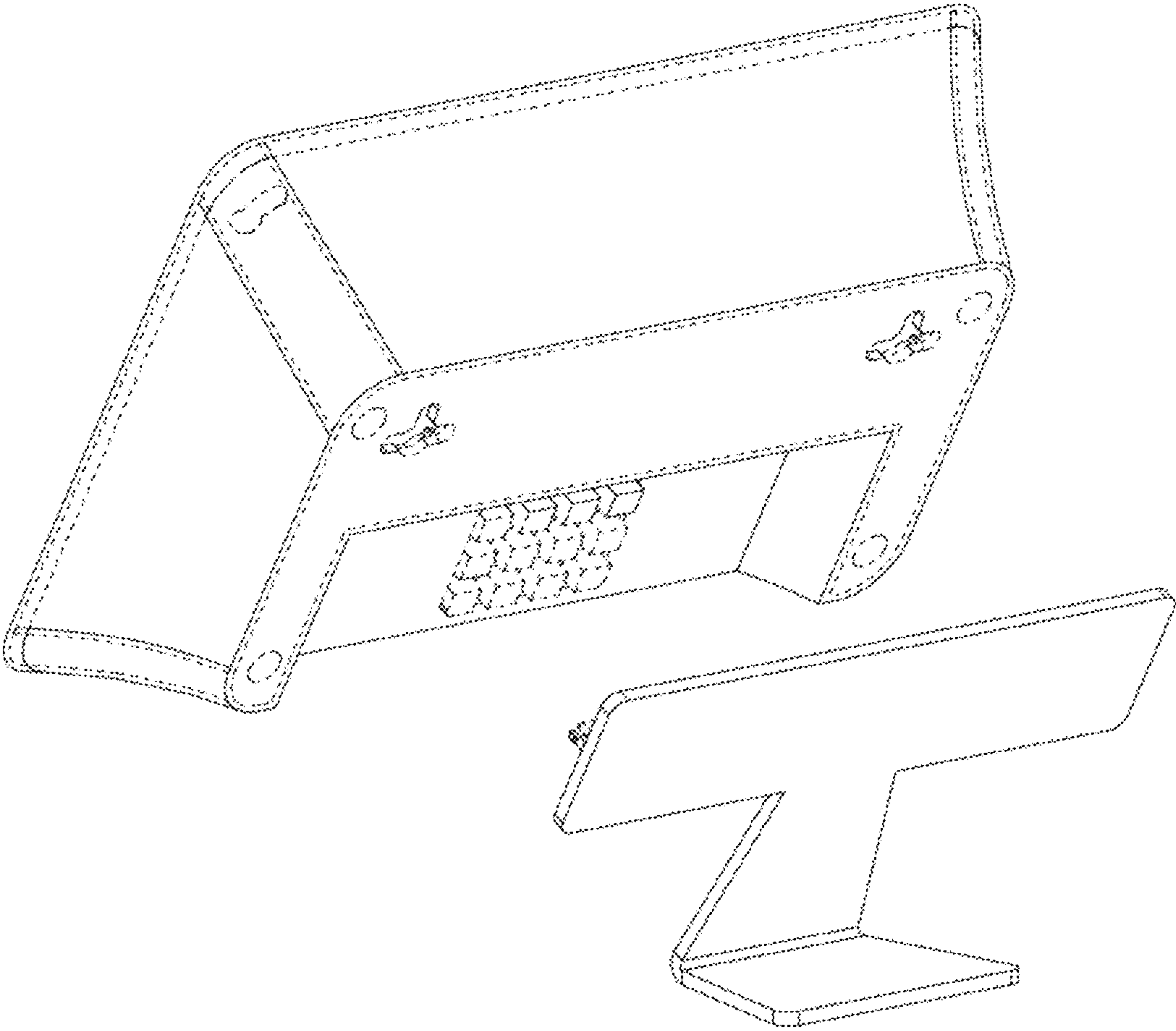


FIGURE 2

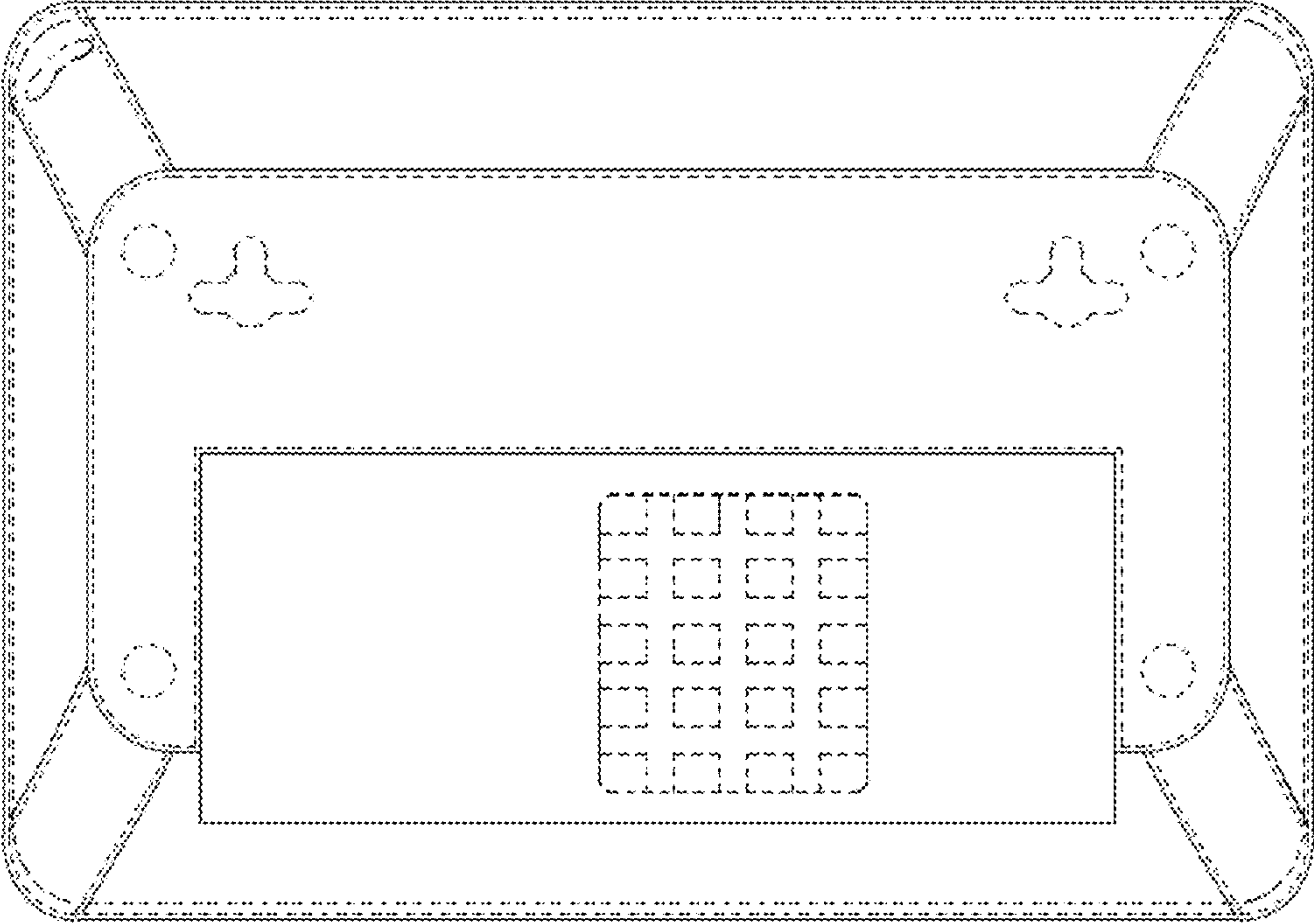


FIGURE 3

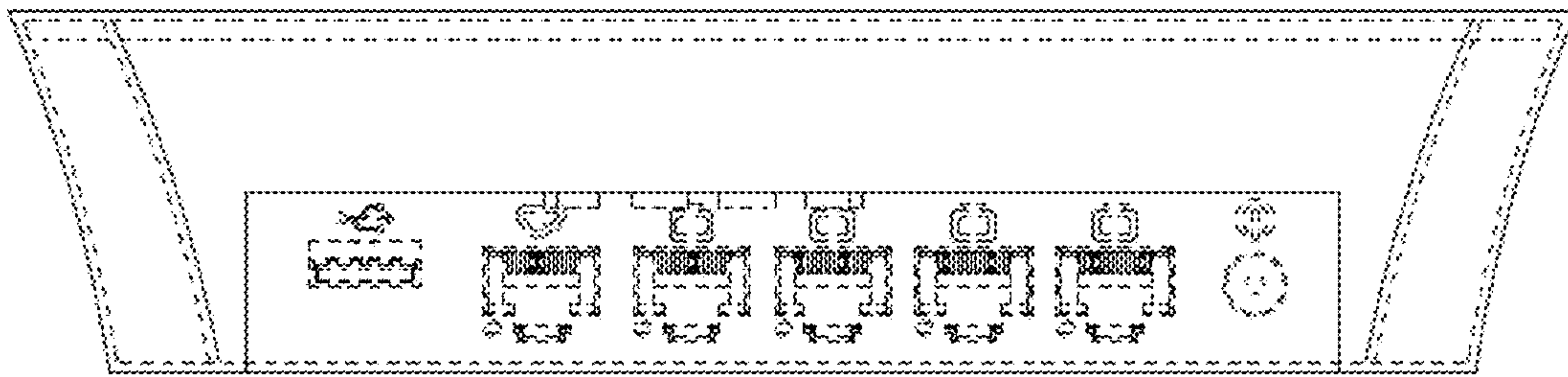


FIGURE 4

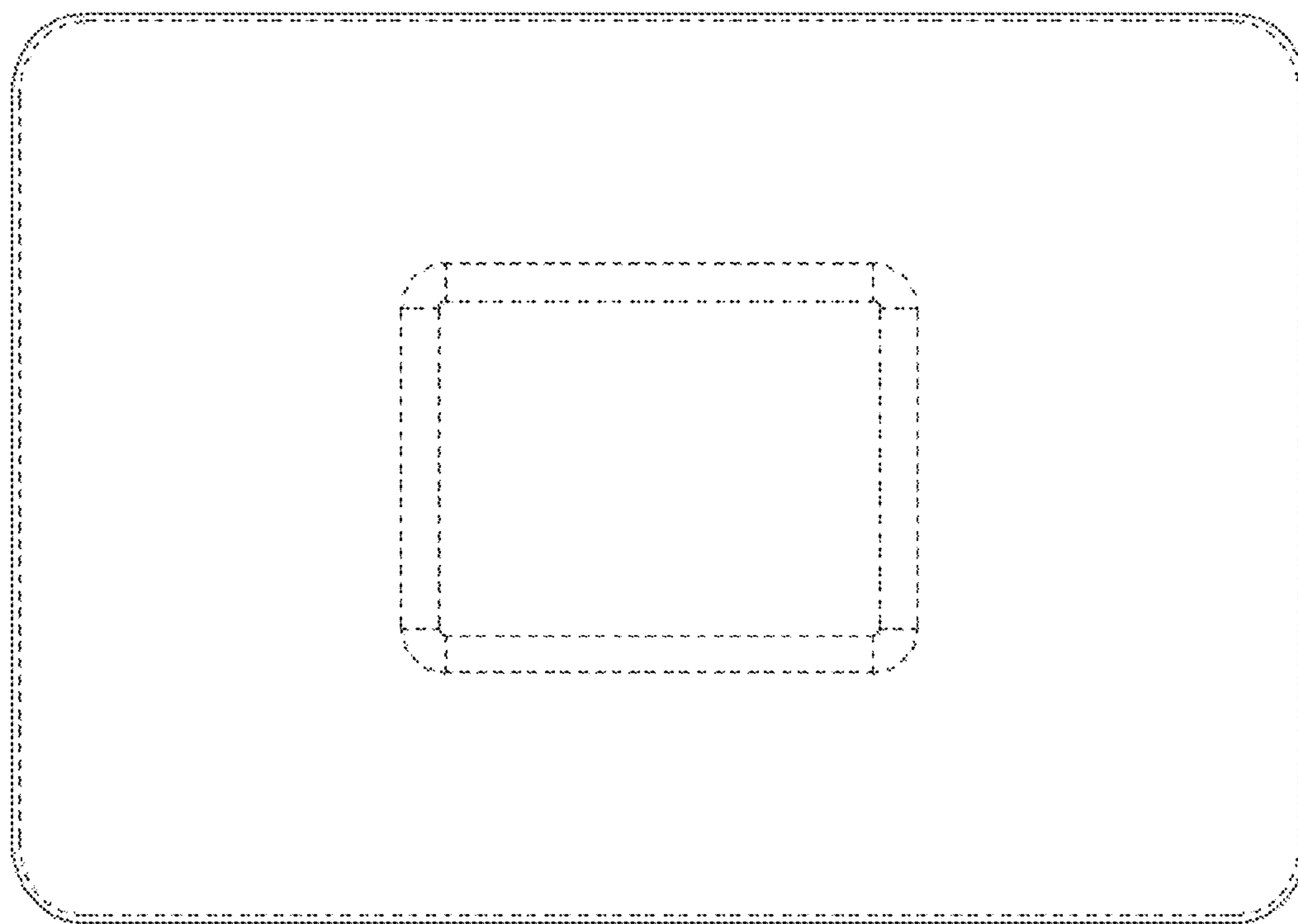


FIGURE 5



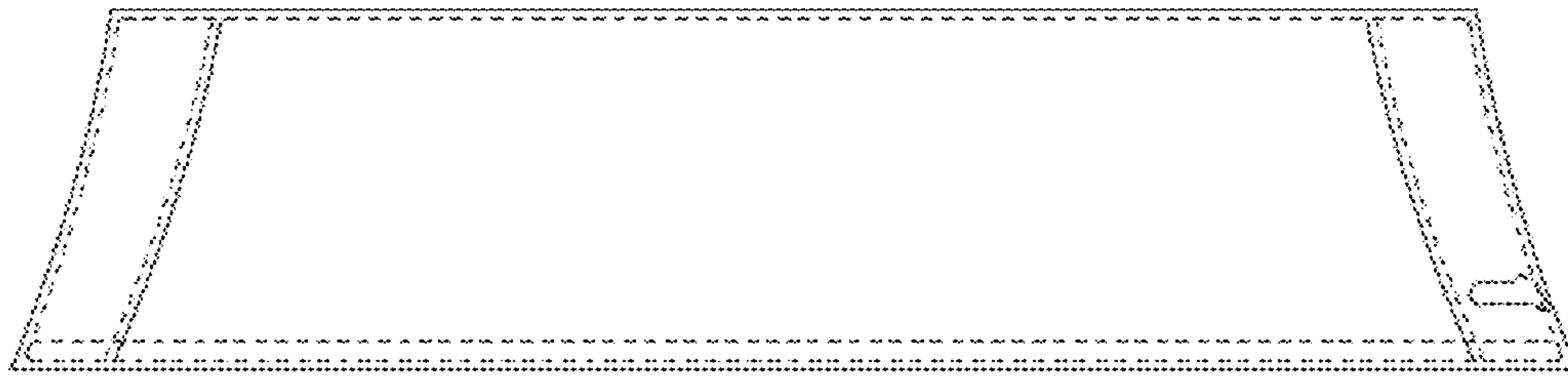


FIGURE 6

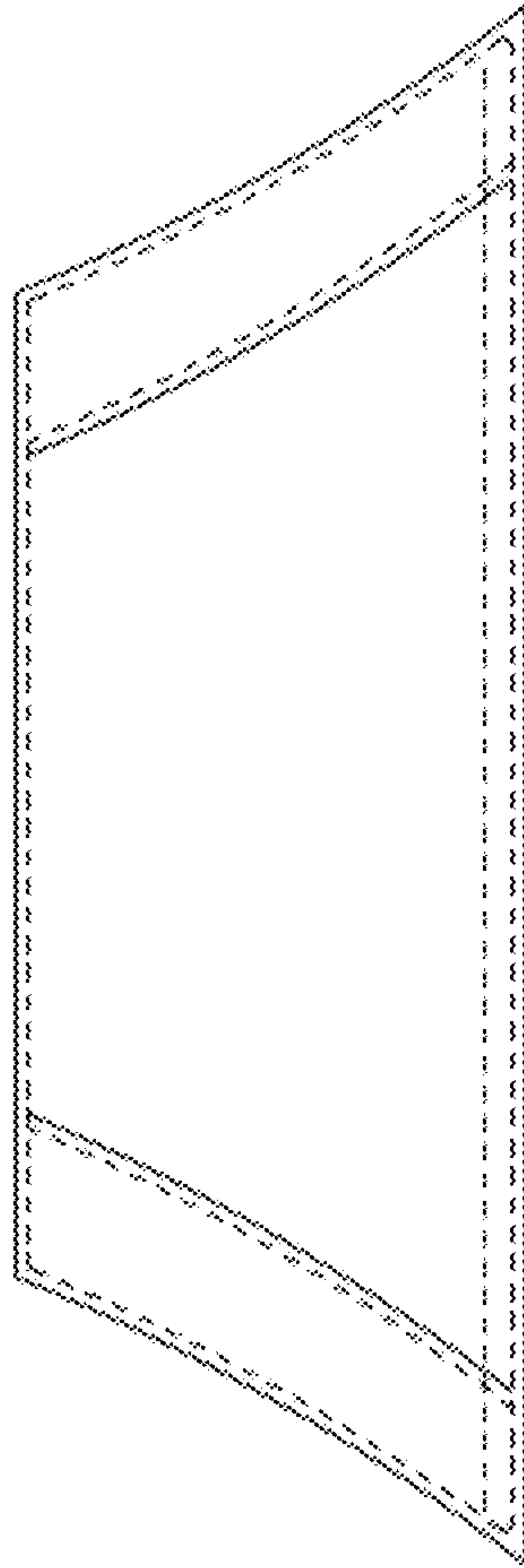


FIGURE 7



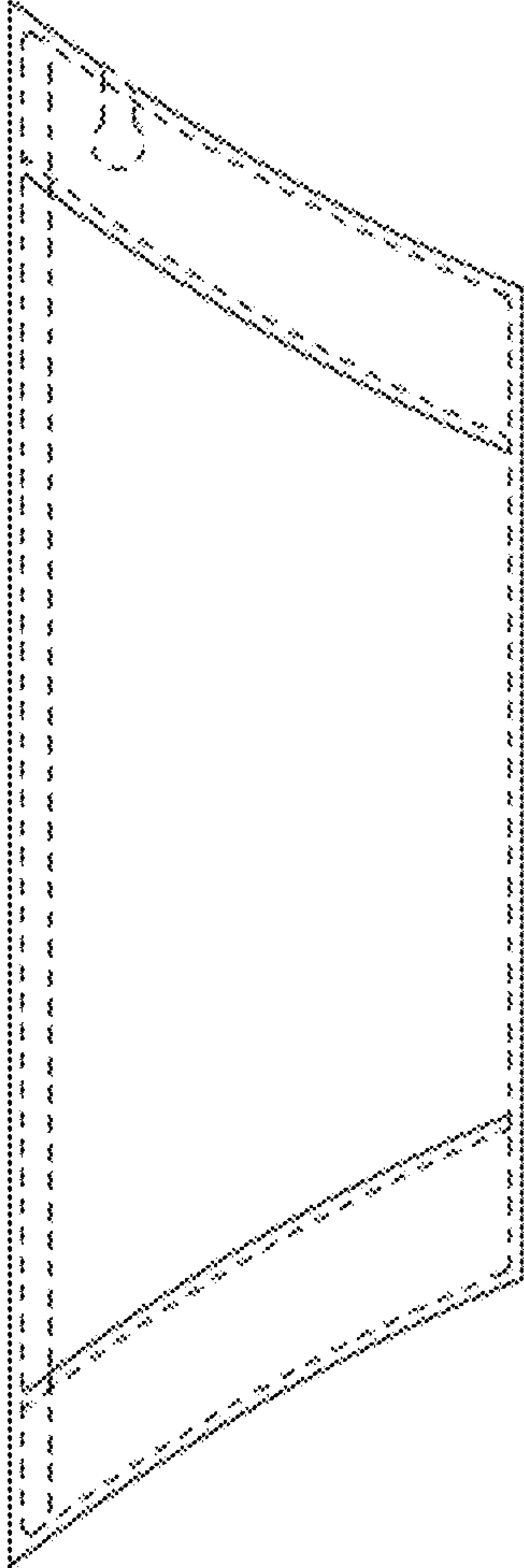


FIGURE 8

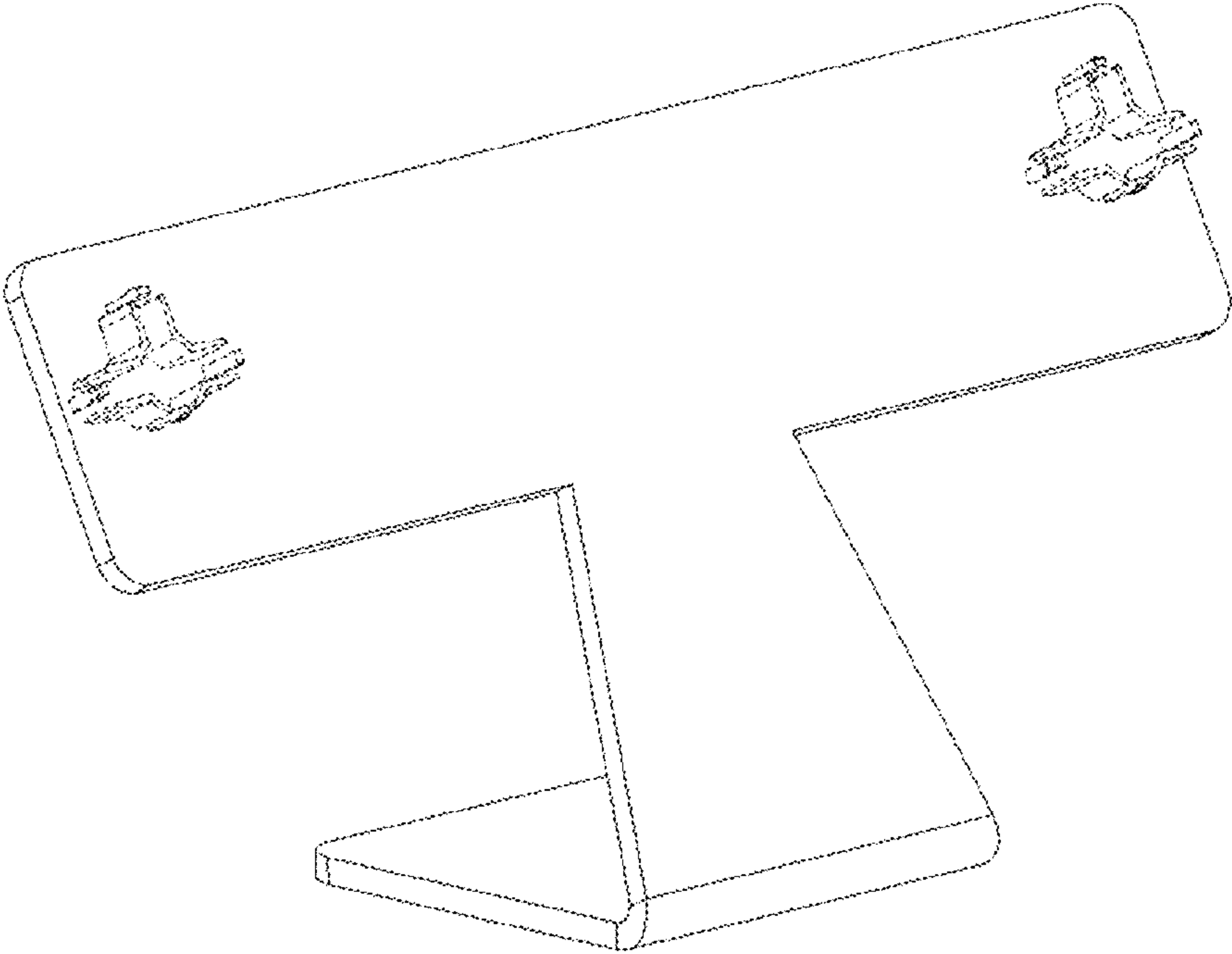


FIGURE 9