



US00D707209S

(12) **United States Design Patent**
Ranaletta

(10) **Patent No.:** **US D707,209 S**
(45) **Date of Patent:** **** Jun. 17, 2014**

(54) **TELEVISION COMPONENT MOUNT**

(76) Inventor: **Joshua Ranaletta**, Rochester, NY (US)

(**) Term: **14 Years**

(21) Appl. No.: **29/417,227**

(22) Filed: **Mar. 30, 2012**

(51) **LOC (10) Cl.** **14-03**

(52) **U.S. Cl.**
USPC **D14/239; D6/678.1**

(58) **Field of Classification Search**
USPC D14/239; D6/477, 478, 479, 468, 474,
D6/509, 678.1, 681.2, 682.3; 312/7.2, 9.1;
108/59.96, 91, 92; 211/40, 41.12, 42,
211/49, 50, 85.2, 90.4, 187, 41.42, 207;
D8/381
See application file for complete search history.

D537,657 S	3/2007	Fujii et al.	
7,195,213 B2	3/2007	Weatherly	
D539,566 S *	4/2007	Anderson	D6/474
D560,401 S	1/2008	Hoglan et al.	
D563,695 S	3/2008	Yamaguchi	
D566,426 S	4/2008	Stenhouse et al.	
7,494,019 B2 *	2/2009	Kessell et al.	211/187
D603,191 S	11/2009	Priestman	
D603,386 S *	11/2009	Le	D14/239
D605,429 S	12/2009	Oner	
D609,942 S	2/2010	Sexton	
D617,121 S	6/2010	Walsh	
7,748,674 B2 *	7/2010	Wooten	248/248
D631,680 S	2/2011	Walsh	

* cited by examiner

Primary Examiner — Randall Gholson
(74) *Attorney, Agent, or Firm* — QuickPatents; Kevin Prince

(57) **CLAIM**
I claim the ornamental design for a television component mount, as shown and described.

(56) **References Cited**

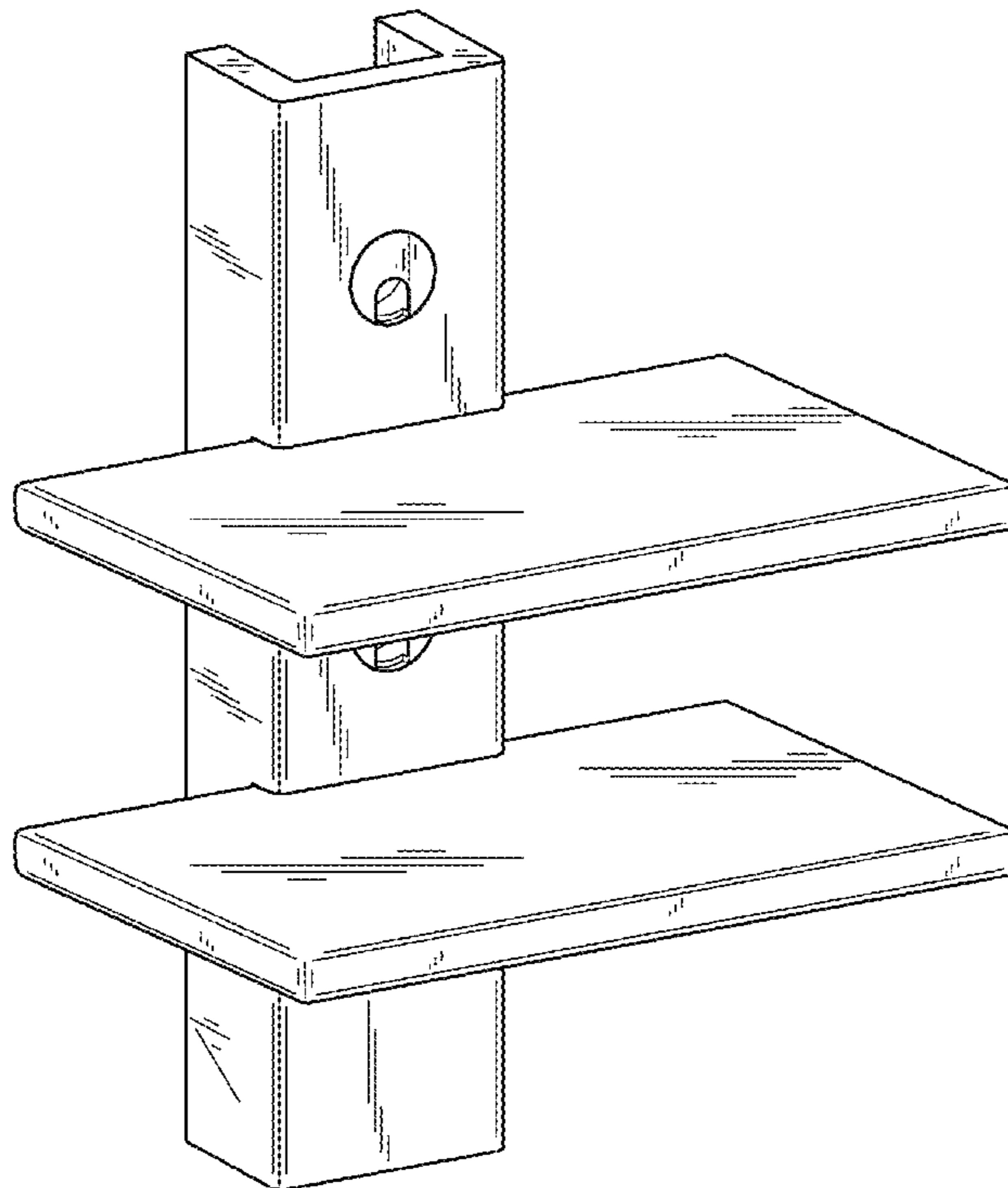
U.S. PATENT DOCUMENTS

D262,076 S *	12/1981	Pracon	D6/407
D318,280 S *	7/1991	Sumrell et al.	D14/224
5,129,525 A *	7/1992	Maynard, Jr.	211/205
5,211,295 A *	5/1993	Dunn	211/163
6,105,794 A *	8/2000	Bauer	211/94.01
D431,144 S *	9/2000	Goff et al.	D6/630
D483,581 S	12/2003	Chang	
D505,576 S	5/2005	Chang	
6,932,225 B2 *	8/2005	Rowe	211/90.02
D531,428 S	11/2006	Choo	
D537,656 S *	3/2007	Stenhouse et al.	D6/474

DESCRIPTION

FIG. 1 is a perspective view of a television component mount, showing my new design;
FIG. 2 is a front elevational view thereof;
FIG. 3 is a left-side elevational view thereof, the right side being a mirror image thereof; and,
FIG. 4 is a rear elevational view thereof.
The broken lines showing a wall and audio and video components in FIG. 3 depict environmental matter and form no part of the claimed design.

1 Claim, 3 Drawing Sheets



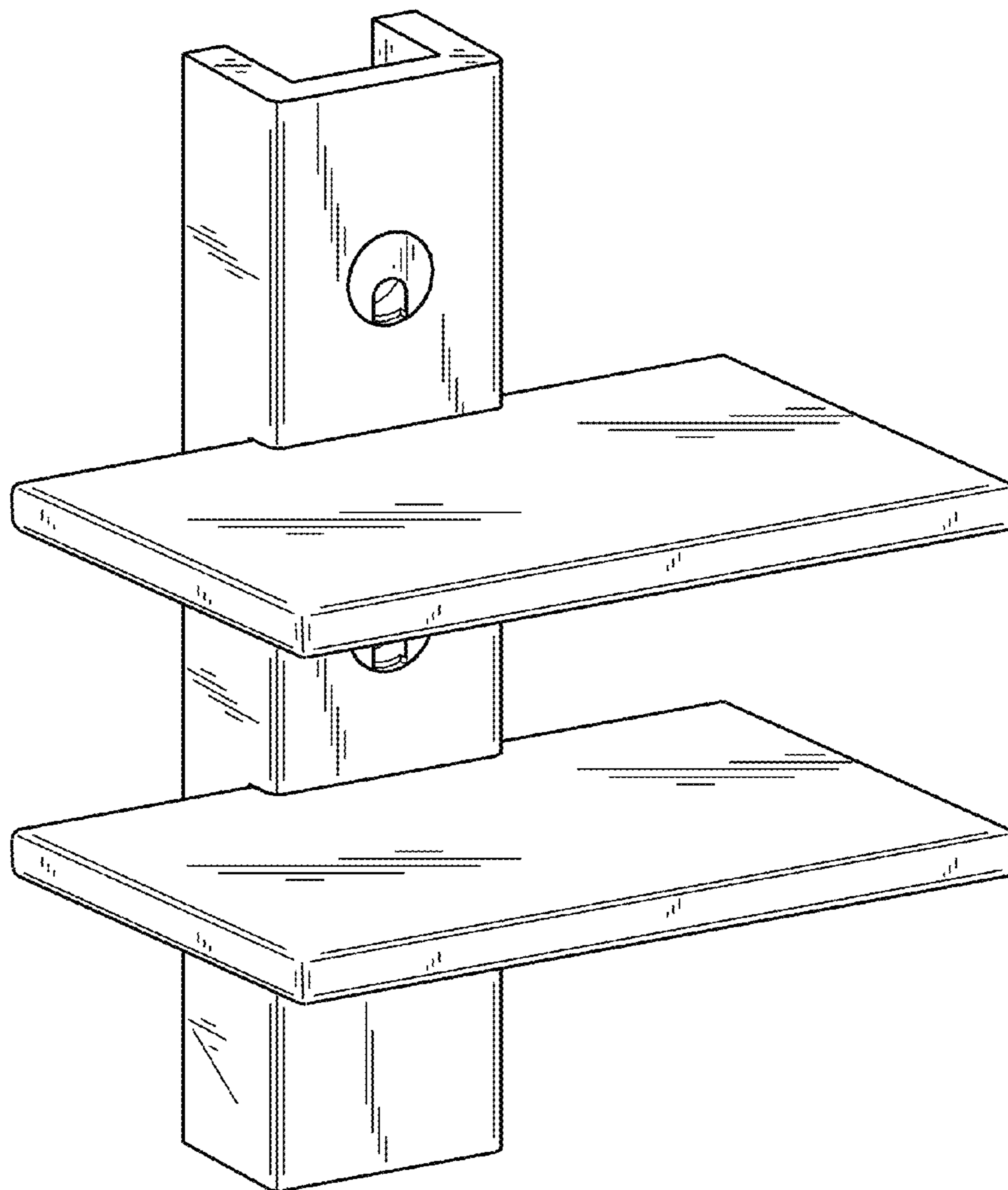


FIG. 1

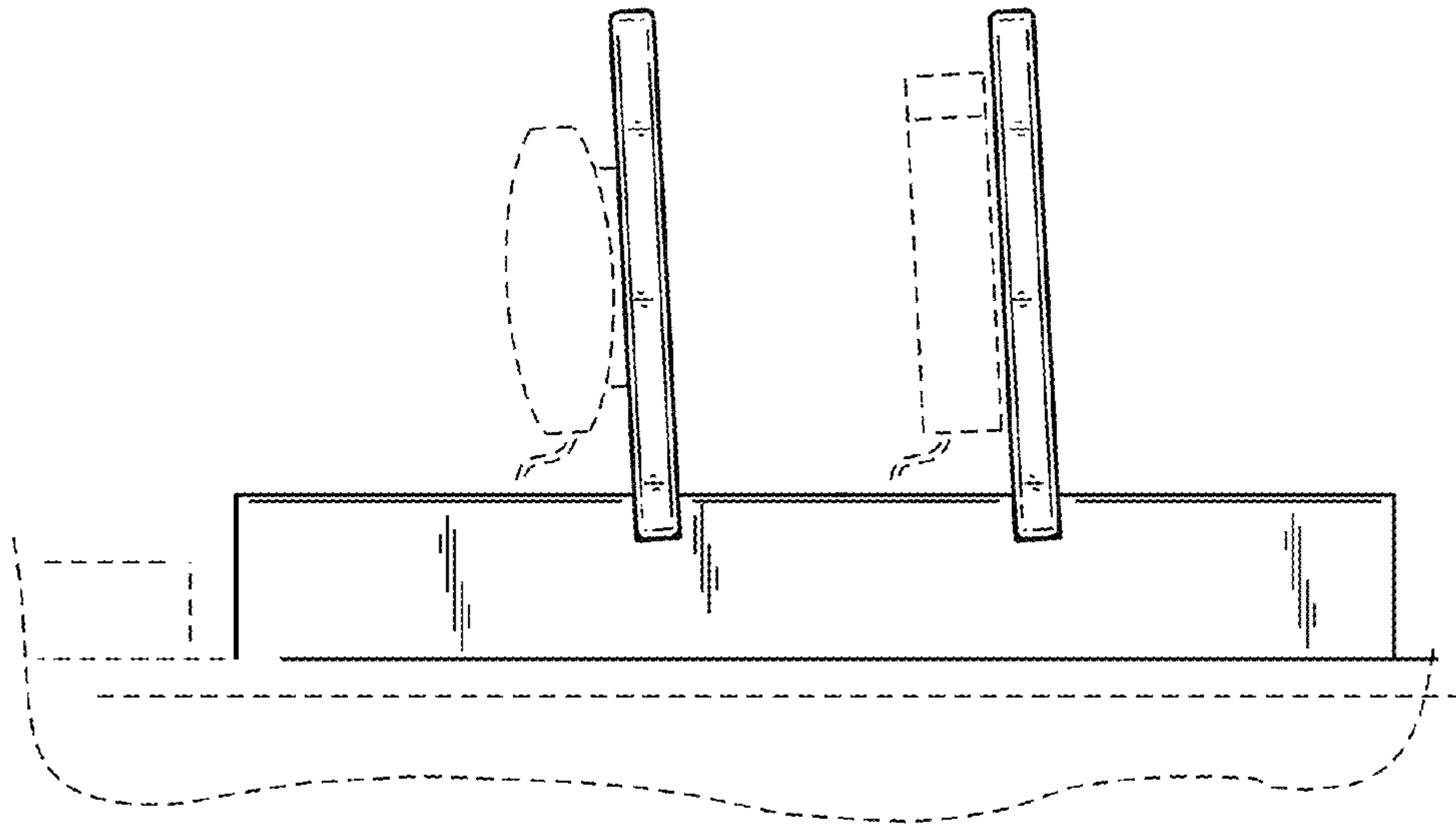


FIG. 3

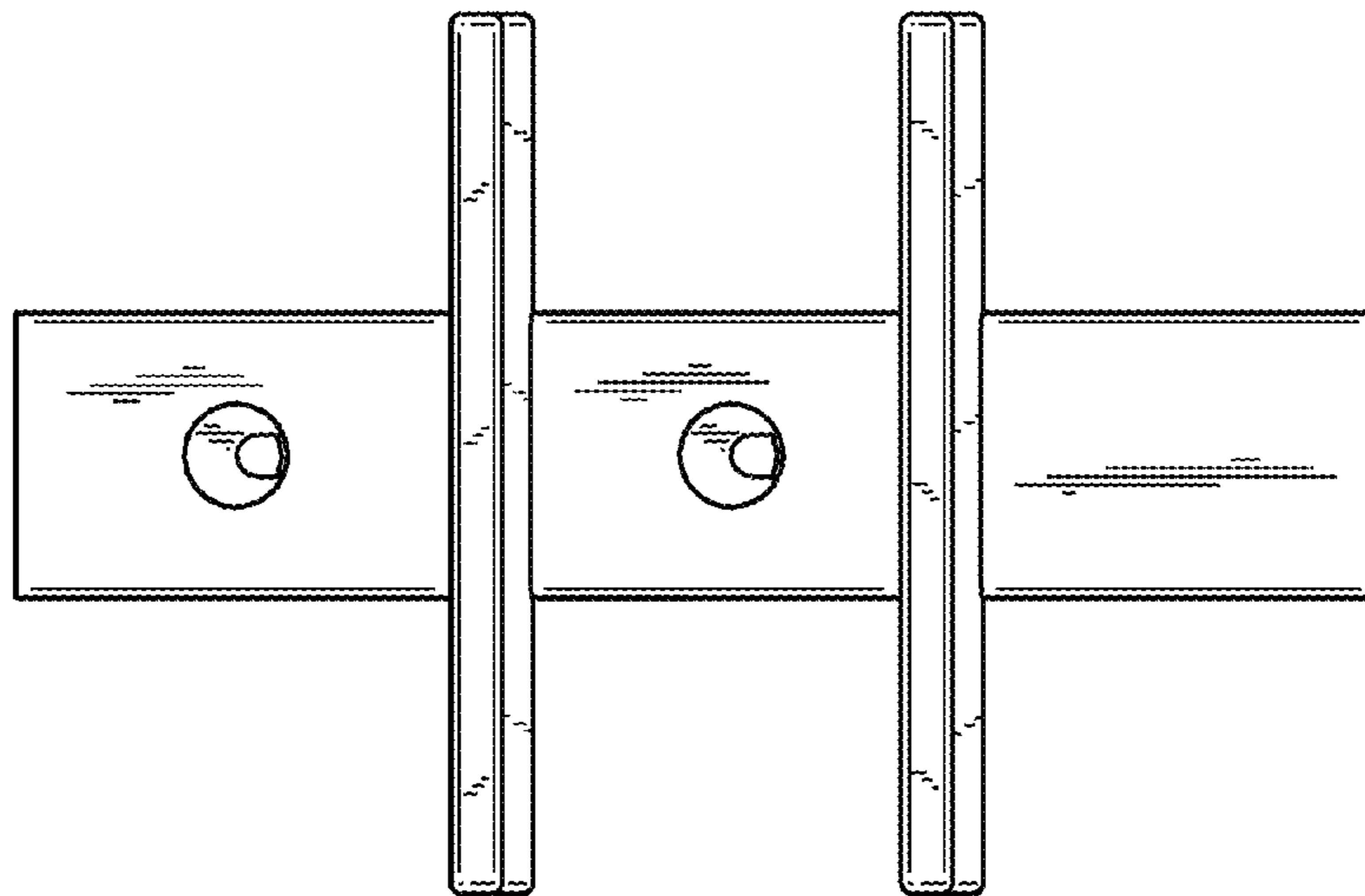


FIG. 2

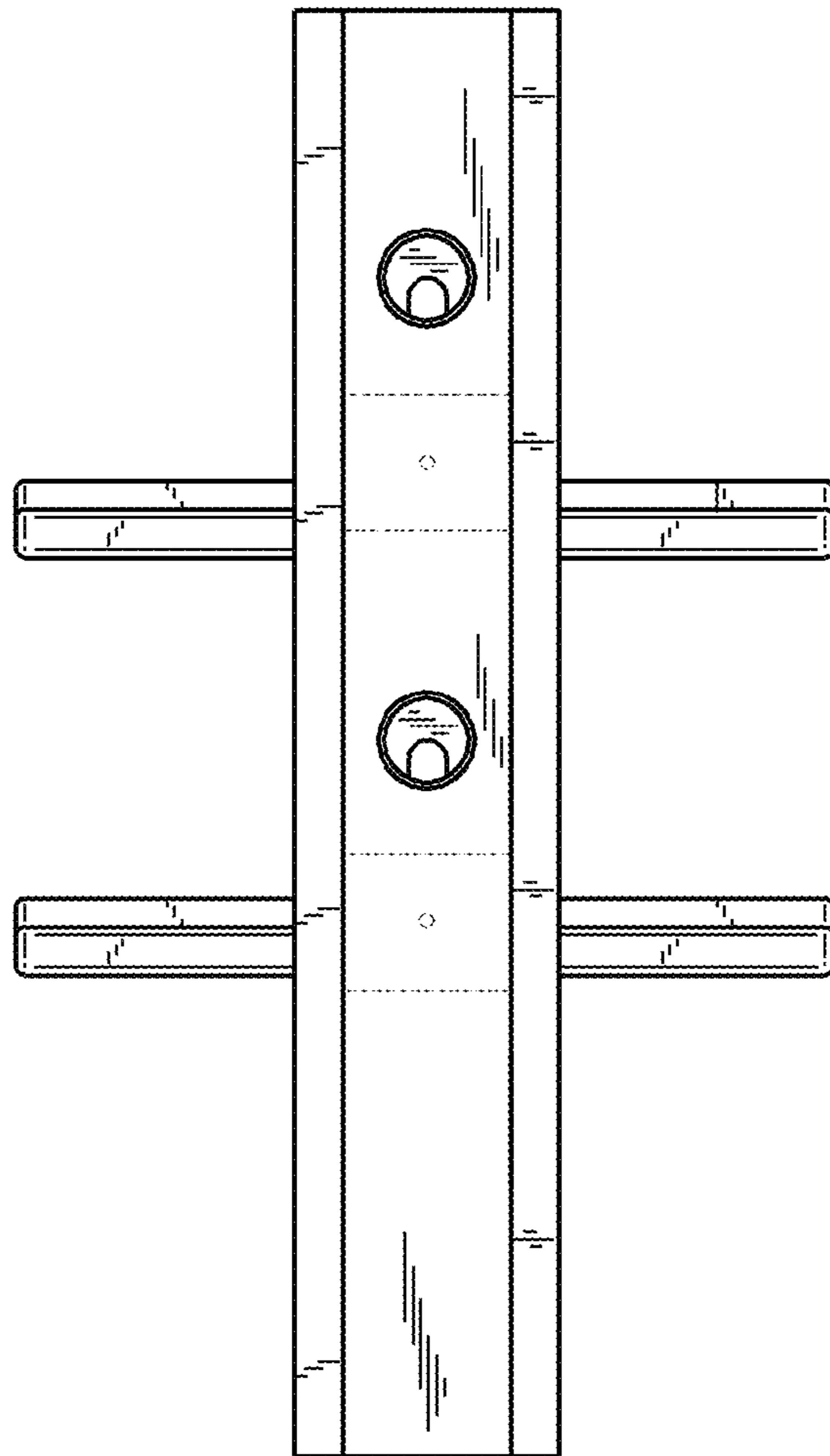


FIG. 4