



US00D707208S

(12) **United States Design Patent**
Kirkland et al.

(10) **Patent No.:** **US D707,208 S**
(45) **Date of Patent:** **** Jun. 17, 2014**

(54) **SATELLITE ANTENNA**
(75) Inventors: **Derek Ryan Kirkland**, Chelsea (CA);
Jerome Le Corvec, Ottawa (CA);
Etienne Y. Poisson, Ottawa (CA)
(73) Assignee: **C-COM Satellite Systems Inc.**, Ottawa
(CA)

7,626,560 B2 * 12/2009 Conrad 343/881
7,791,553 B2 * 9/2010 Conrad 343/761
D656,132 S * 3/2012 Barin D14/231
8,169,375 B1 * 5/2012 Conrad 343/713
2002/0140617 A1 * 10/2002 Luly et al. 343/781 CA
2005/0057428 A1 * 3/2005 Fujita 343/882
2007/0210980 A1 * 9/2007 Shen 343/912
2007/0247390 A1 * 10/2007 Lin et al. 343/892
2008/0186242 A1 * 8/2008 Shuster et al. 343/762

(**) Term: **14 Years**

* cited by examiner

(21) Appl. No.: **29/387,580**

Primary Examiner — John Windmuller

(22) Filed: **Mar. 15, 2011**

(74) *Attorney, Agent, or Firm* — Ridout & Maybee LLP

(51) **LOC (10) Cl.** **14-03**

(52) **U.S. Cl.**
USPC **D14/231**

(57) **CLAIM**

The ornamental design for a satellite antenna, as shown and described.

(58) **Field of Classification Search**
USPC D14/230–238, 299; 343/700 R, 840,
343/841, 908, 872; 455/3.02, FOR. 215,
455/575.2

DESCRIPTION

See application file for complete search history.

FIG. 1 is a perspective view of the satellite antenna, showing the azimuth assembly, and the reflector and the feed assembly extending from the azimuth assembly;
FIG. 2 is a perspective view of the satellite antenna, opposite to that shown in FIG. 1;
FIG. 3 is a side view of the satellite antenna shown in FIG. 1;
FIG. 4 is a side view of the satellite antenna, opposite to that shown in FIG. 1;
FIG. 5 is a front elevation of the satellite antenna shown in FIG. 1;
FIG. 6 is a rear elevation of the satellite antenna shown in FIG. 1;
FIG. 7 is a top plan view of the satellite antenna shown in FIG. 1; and,
FIG. 8 is a bottom plan view of the satellite antenna shown in FIG. 1.

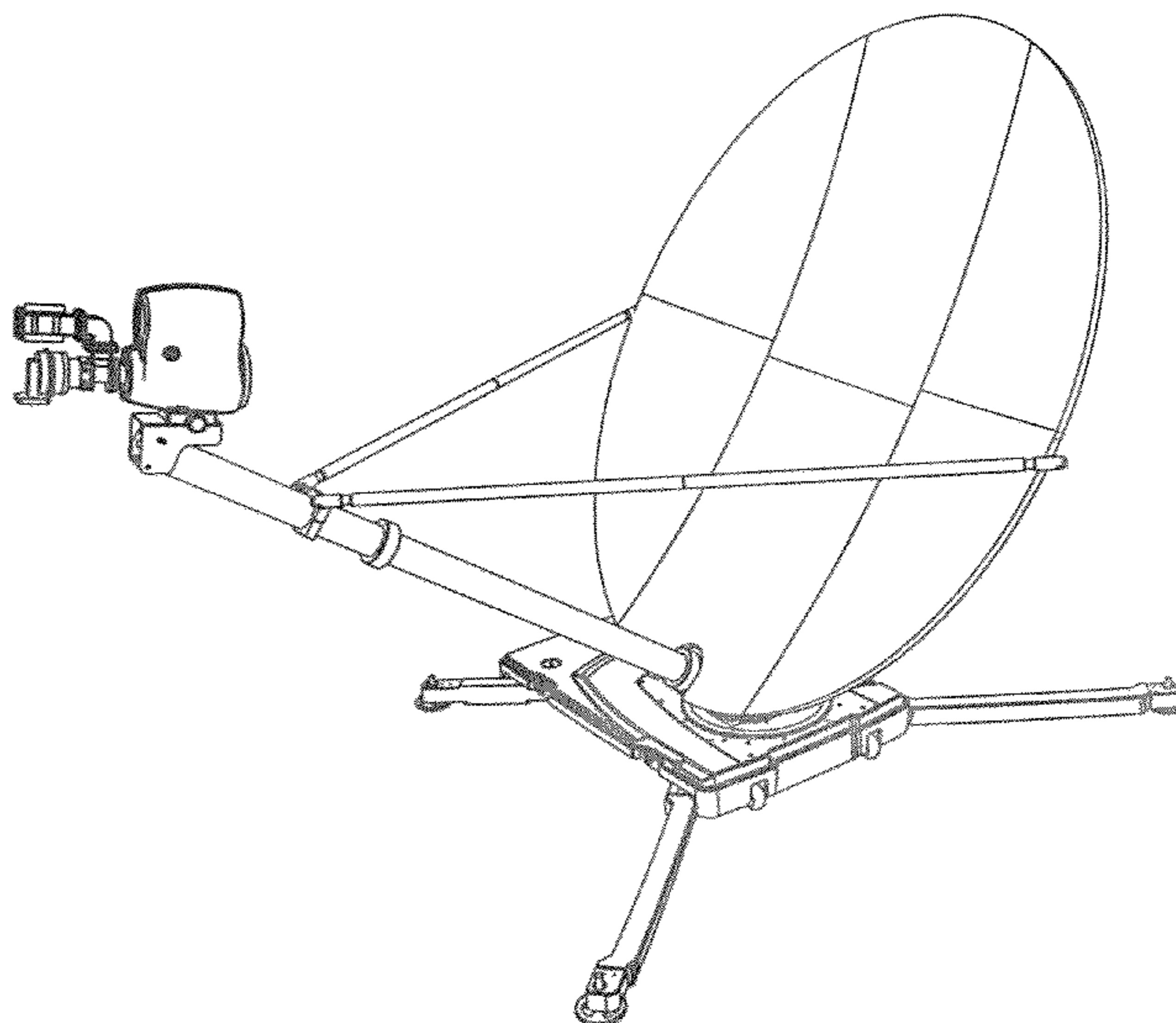
(56) **References Cited**

U.S. PATENT DOCUMENTS

D329,052 S * 9/1992 Keane et al. D14/231
5,554,998 A * 9/1996 Sherwood et al. 343/881
D380,474 S * 7/1997 Pietrangelo et al. D14/231
5,646,638 A * 7/1997 Winegard et al. 343/882
D389,155 S * 1/1998 Inoue D14/231
D411,999 S * 7/1999 Inoue D14/231
6,124,836 A * 9/2000 Rogers 343/882
6,166,704 A * 12/2000 Jan et al. 343/840
D443,264 S * 6/2001 Fujita D14/238
D458,598 S * 6/2002 Sato D14/231
6,445,361 B2 * 9/2002 Liu et al. 343/882
D595,276 S * 6/2009 Bonnier D14/231
D597,085 S * 7/2009 Andersson D14/231
D598,904 S * 8/2009 Ho D14/231

The broken lines in the figures depict portions of the satellite antenna that form no part of the claimed design.

1 Claim, 8 Drawing Sheets



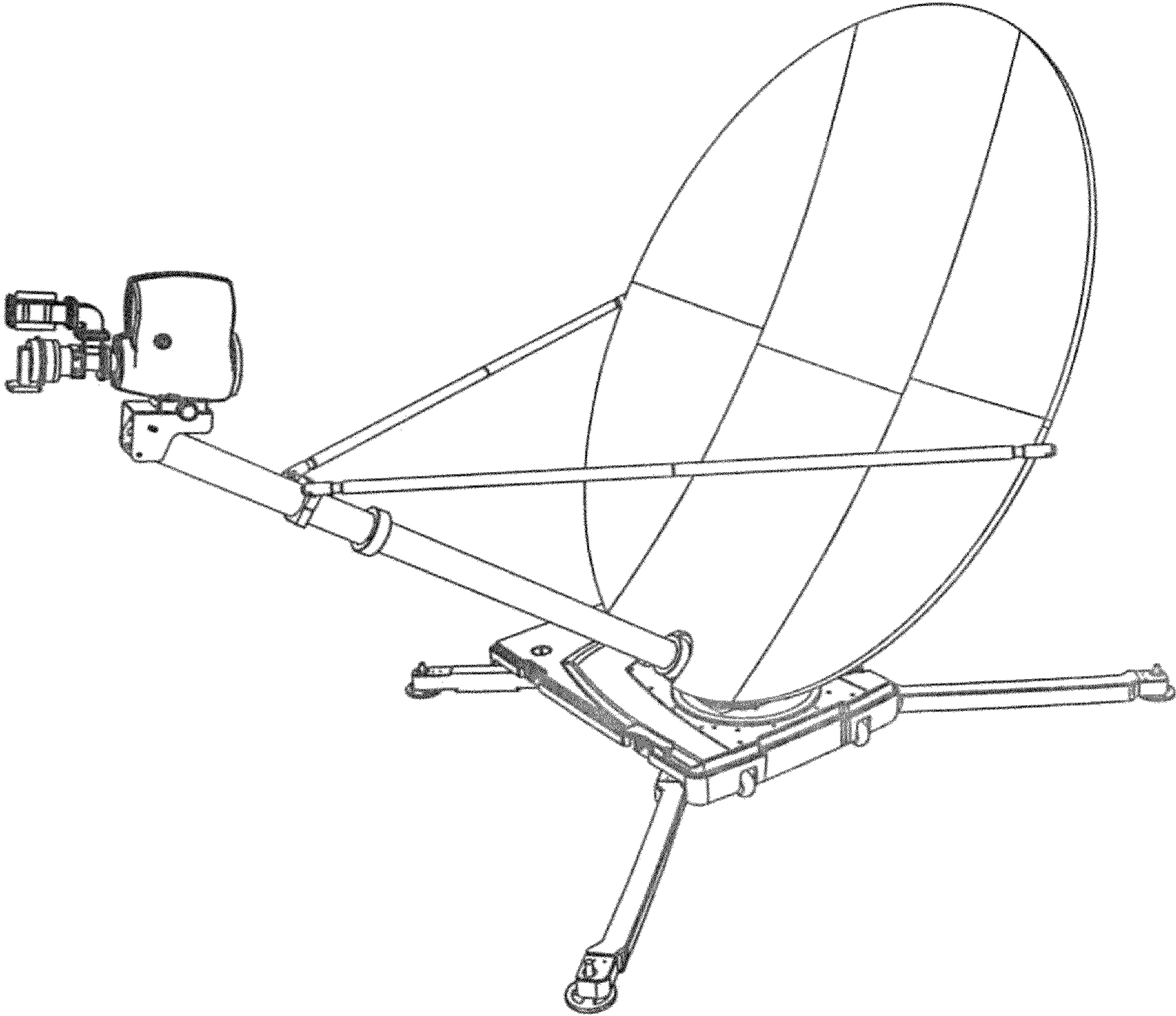


FIG. 1

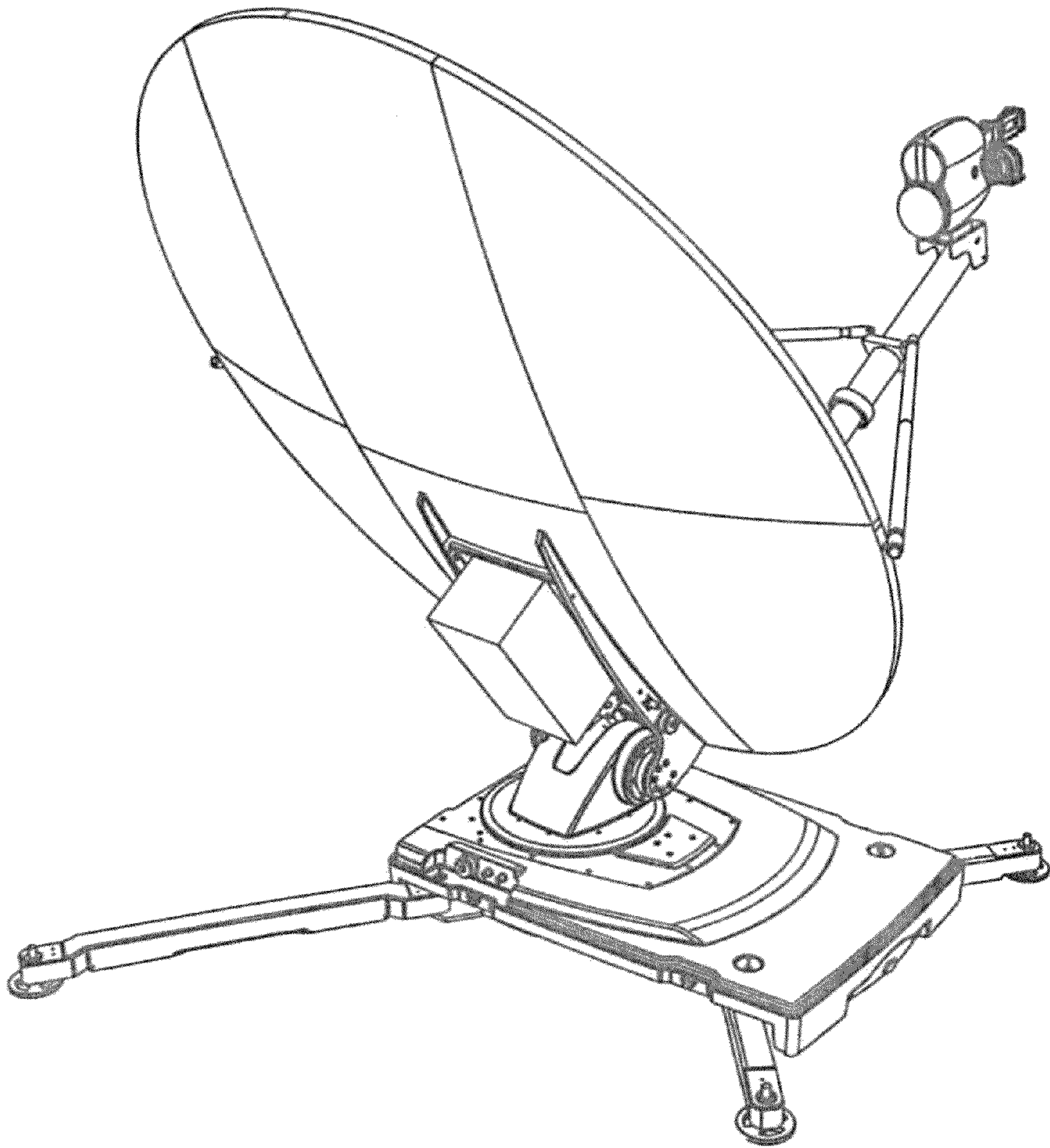


FIG. 2

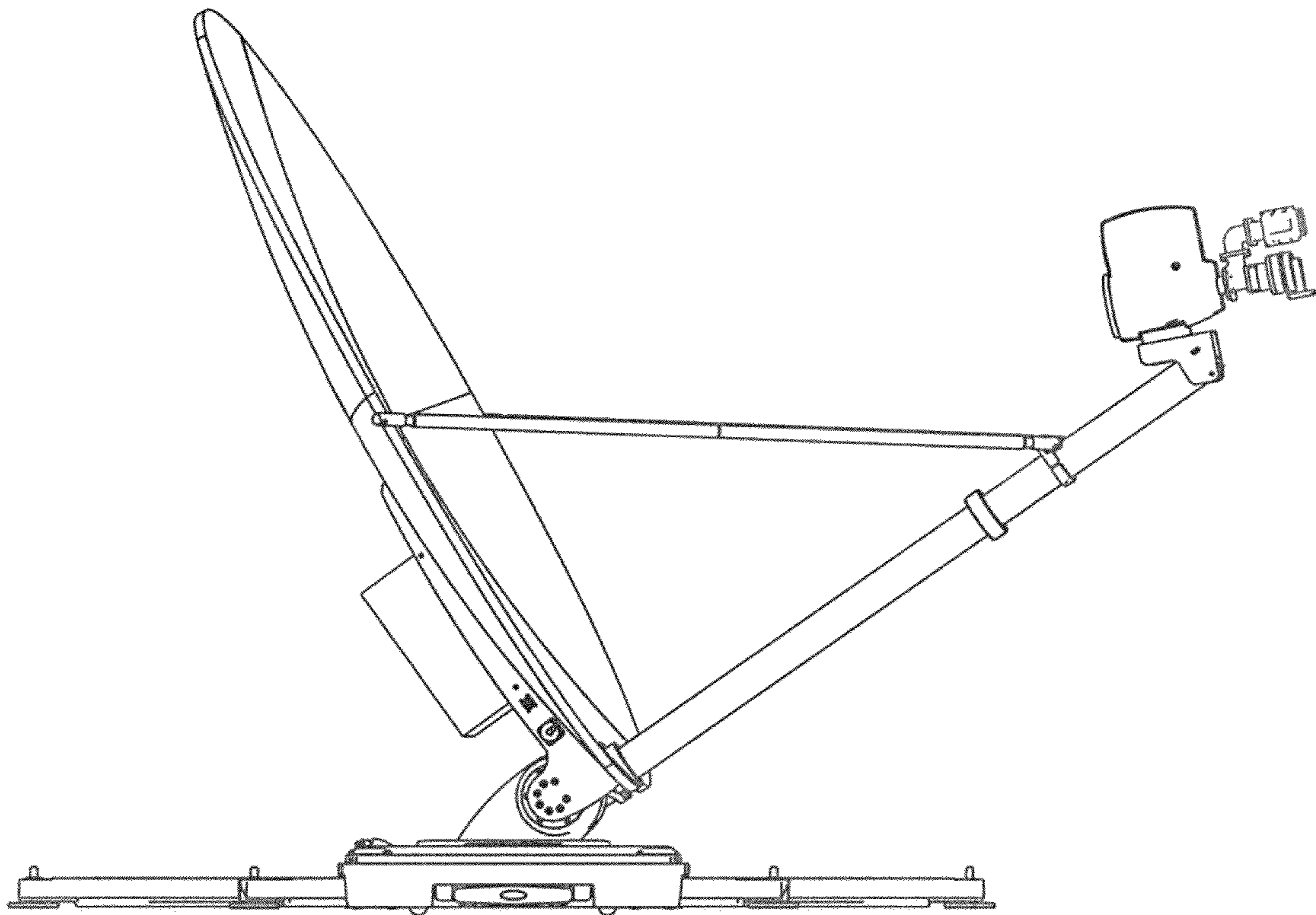


FIG. 3

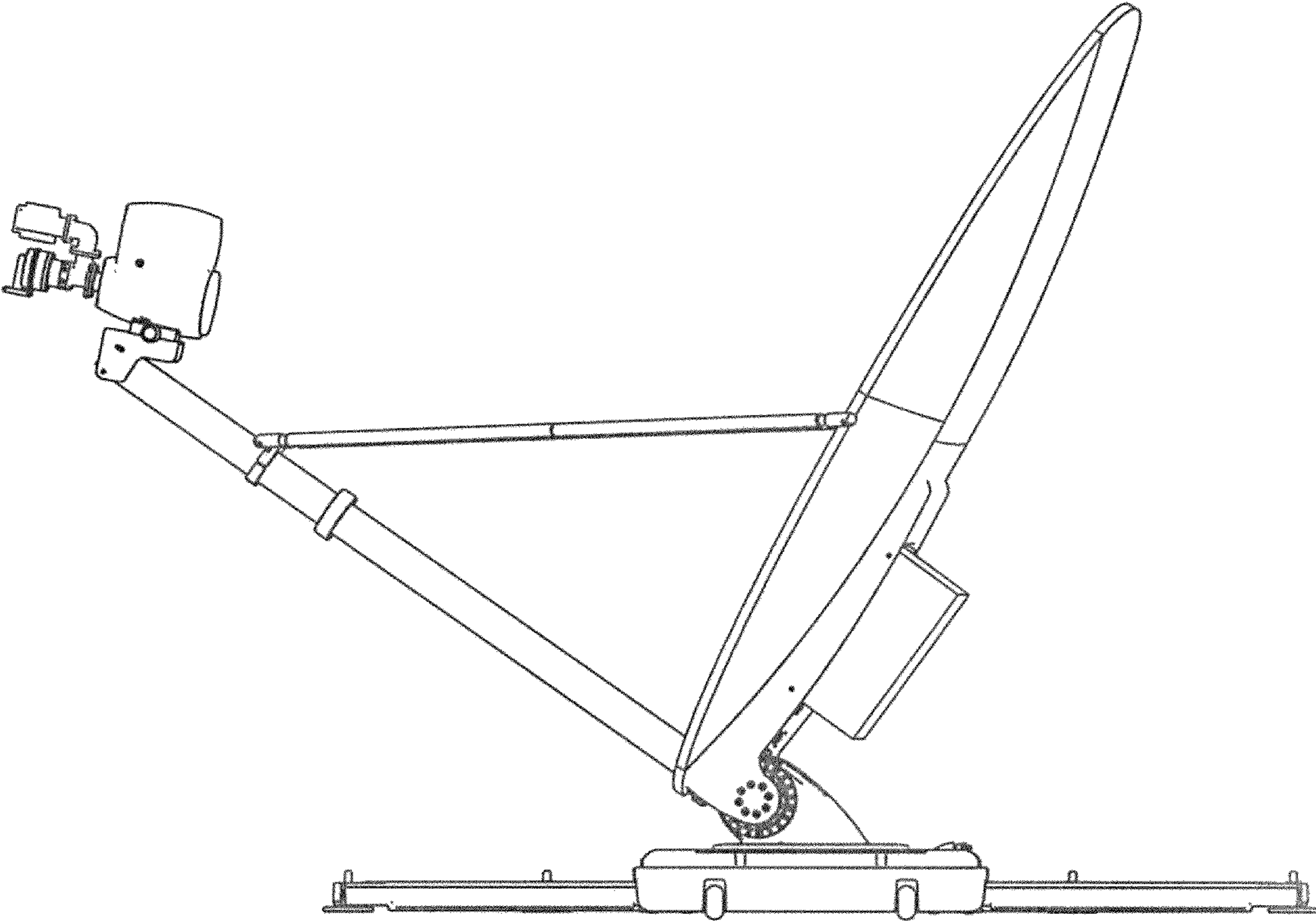


FIG. 4

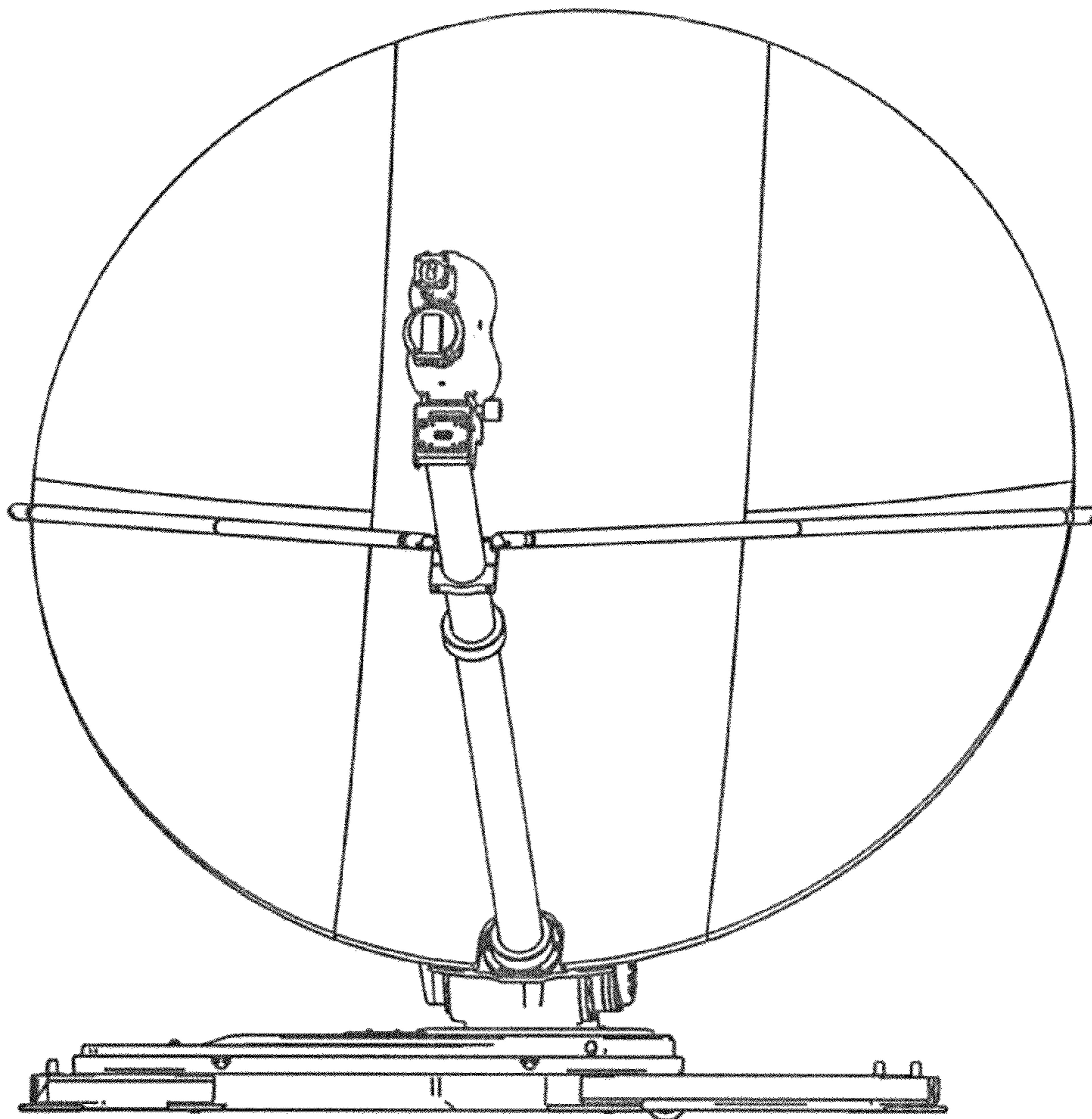


FIG. 5

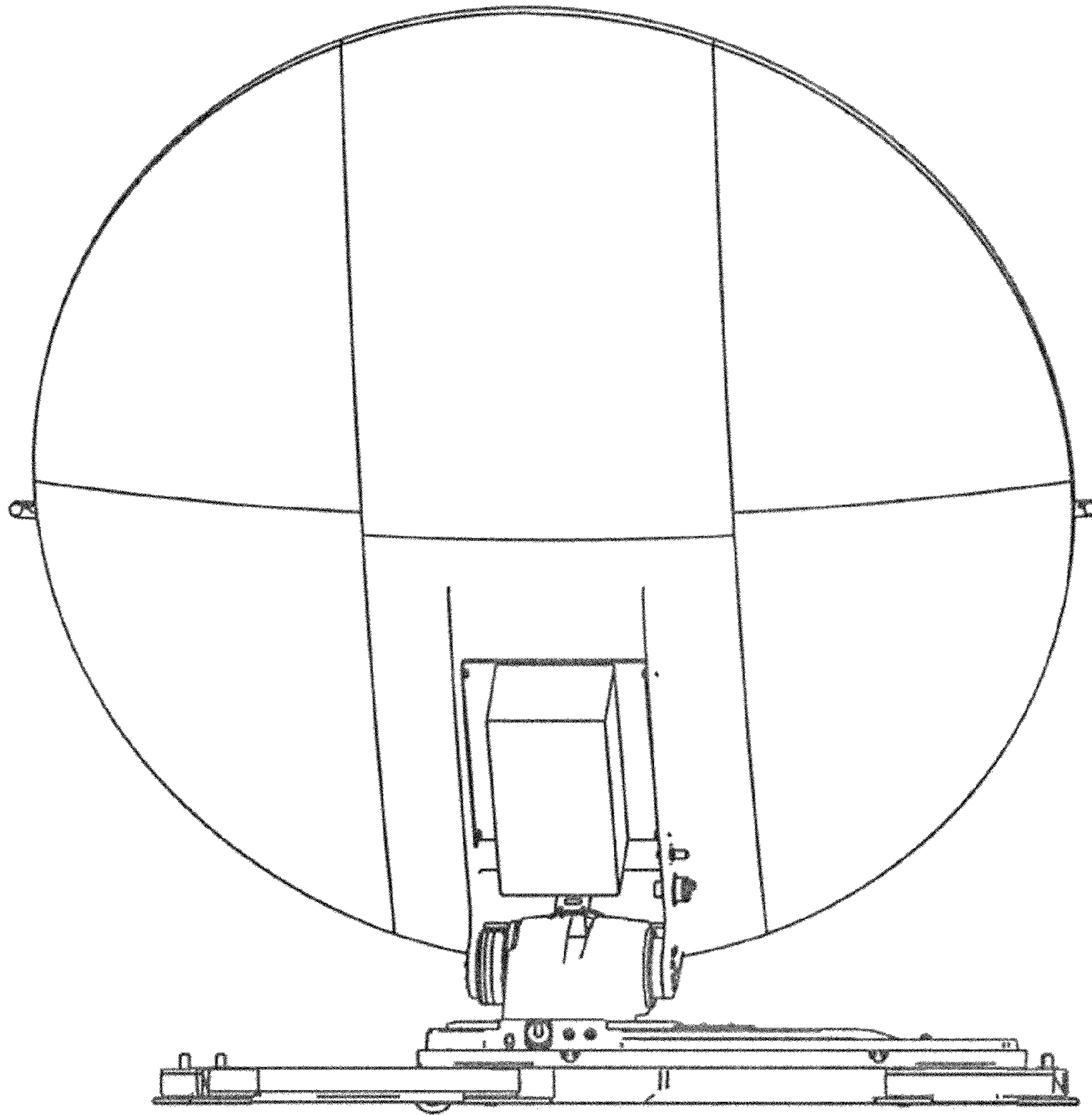


FIG. 6

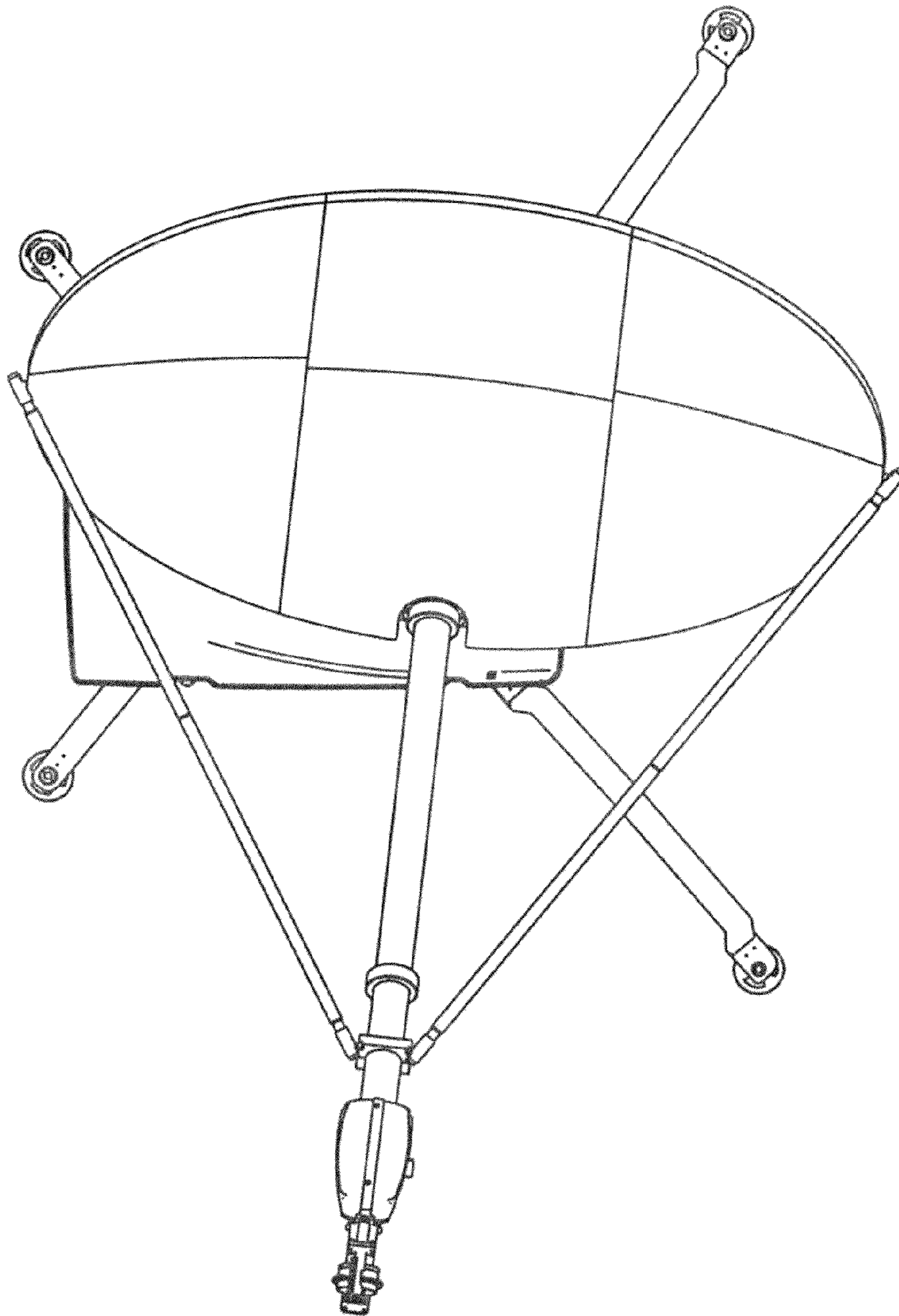


FIG. 7

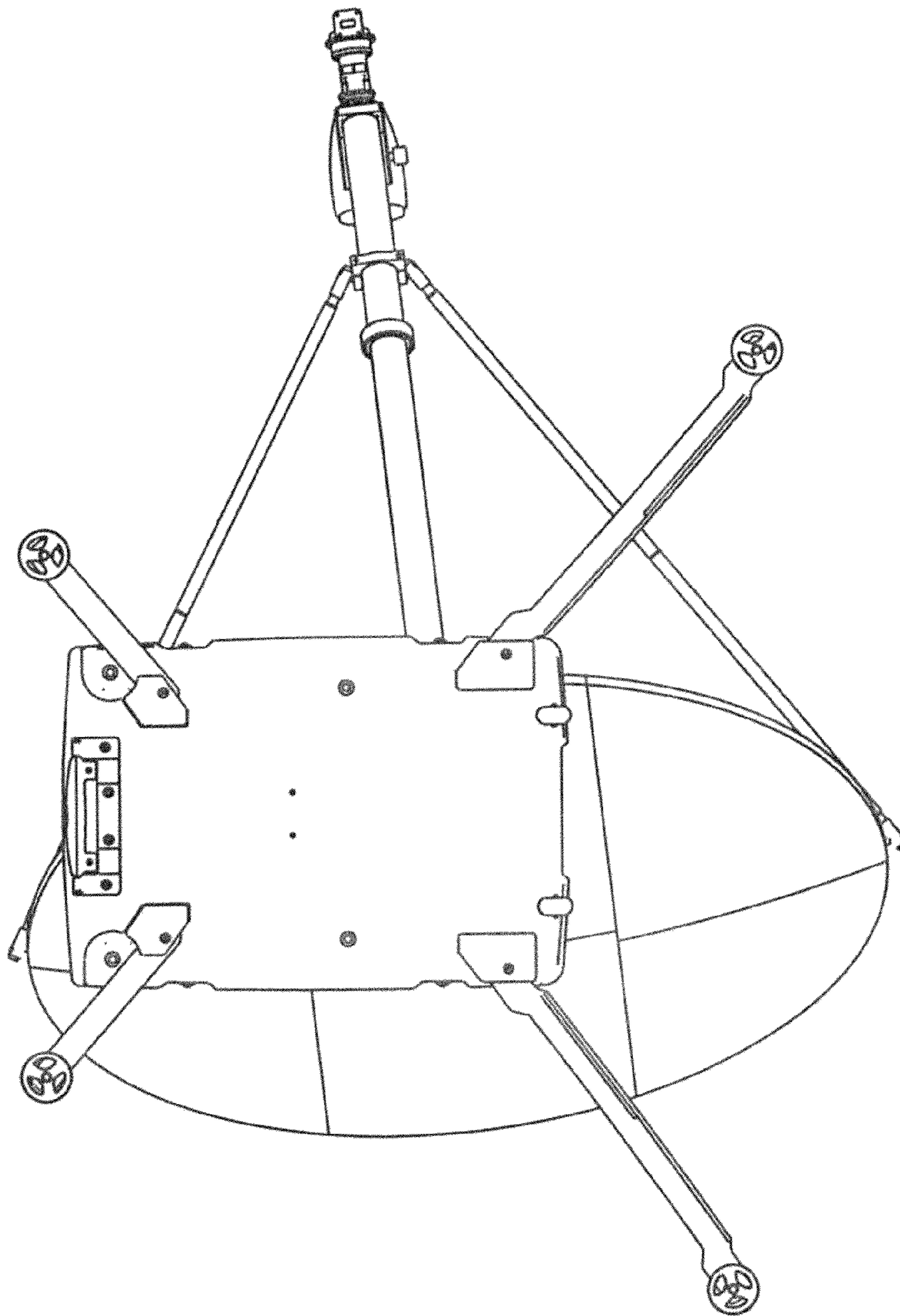


FIG. 8