



US00D707207S

(12) **United States Design Patent**
Cooper et al.

(10) **Patent No.:** **US D707,207 S**
(45) **Date of Patent:** **** Jun. 17, 2014**

- (54) **MICROPHONE**
- (71) Applicant: **Freedman Electronics Pty. Ltd.,**
Silverwater (AU)
- (72) Inventors: **Peter Noel Cooper,** Bronte (AU);
Samuel Dean Trewartha, Petersham
(AU)
- (73) Assignee: **Freedman Electroincs Pty. Ltd.** (AU)
- (**) Term: **14 Years**
- (21) Appl. No.: **29/443,788**
- (22) Filed: **Jan. 22, 2013**
- (51) **LOC (10) Cl.** **14-01**
- (52) **U.S. Cl.**
USPC **D14/225**
- (58) **Field of Classification Search**
USPC D14/155, 167, 225, 226, 227, 243, 249,
D14/497; D16/208; D17/99; D21/513;
381/369, 355, 92, 174; 446/416;
455/575.2; 181/158, 242
See application file for complete search history.

- D479,227 S * 9/2003 Marshall D14/228
- D479,837 S * 9/2003 Sundquist et al. D14/228
- D530,706 S * 10/2006 Gustafson et al. D14/228
- D531,171 S * 10/2006 Gustafson et al. D14/228
- D542,262 S * 5/2007 Oka D14/167
- D578,994 S * 10/2008 Oka D14/167
- D623,172 S * 9/2010 Kondo et al. D14/227
- D649,524 S * 11/2011 Miyazaki D14/167
- D658,163 S * 4/2012 Iikura D14/225

* cited by examiner

Primary Examiner — Prabhakar Deshmukh

Assistant Examiner — Holly E Thurman

(74) *Attorney, Agent, or Firm* — SAIDMAN DesignLaw Group

(57) **CLAIM**

The ornamental design for a microphone, as shown and described.

DESCRIPTION

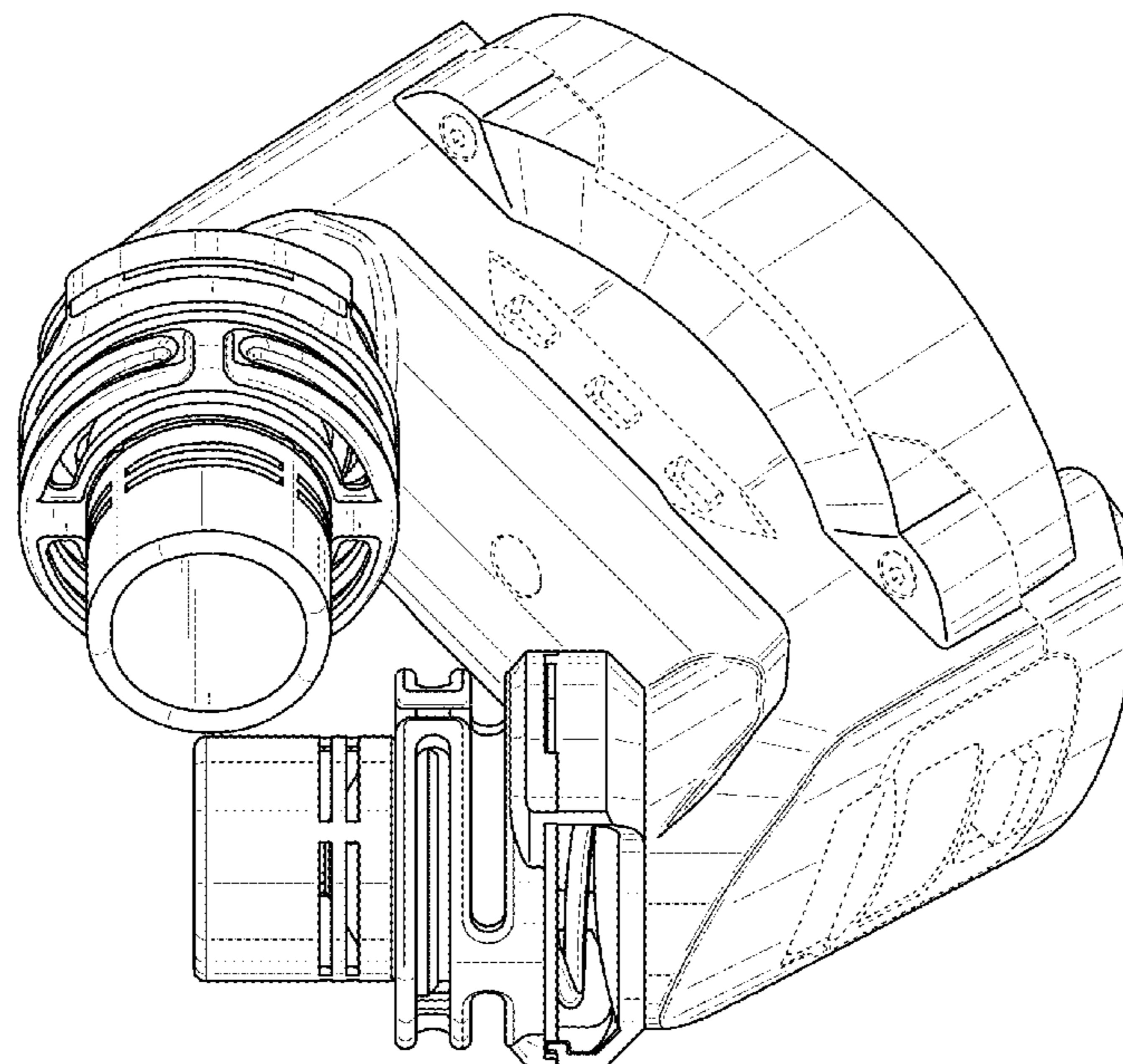
FIG. 1 is a perspective view of a microphone showing our new design;
 FIG. 2 is a front view thereof;
 FIG. 3 is a rear view thereof;
 FIG. 4 is a left side view thereof;
 FIG. 5 is a right side view thereof;
 FIG. 6 is a top view thereof; and,
 FIG. 7 is a bottom view thereof.
 The relatively thin shade lines represent contour, not surface decoration.
 The broken lines illustrate environmental structure and form no part of the claimed design.

1 Claim, 5 Drawing Sheets

(56) **References Cited**

U.S. PATENT DOCUMENTS

- 2,910,539 A * 10/1959 Hartsfield 381/174
- 3,459,902 A * 8/1969 Warning 381/357
- D296,100 S * 6/1988 Kubota D14/228
- 4,789,044 A * 12/1988 Akino 181/158
- 4,811,405 A * 3/1989 Peiker 381/365
- D313,802 S * 1/1991 Peiker D14/227
- D327,480 S * 6/1992 Soren D14/229
- D478,068 S * 8/2003 Sundquist et al. D14/228



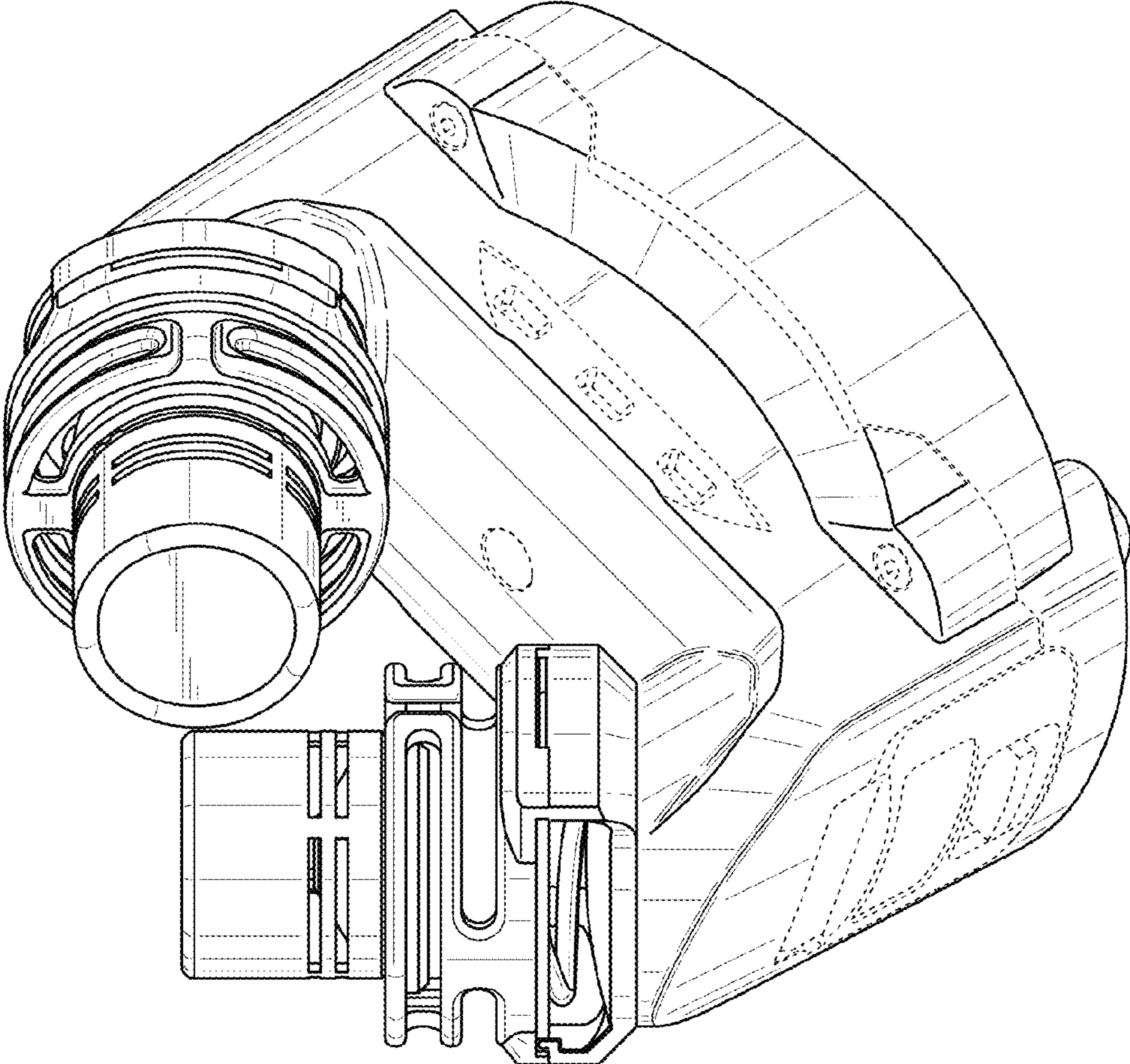


Fig. 1

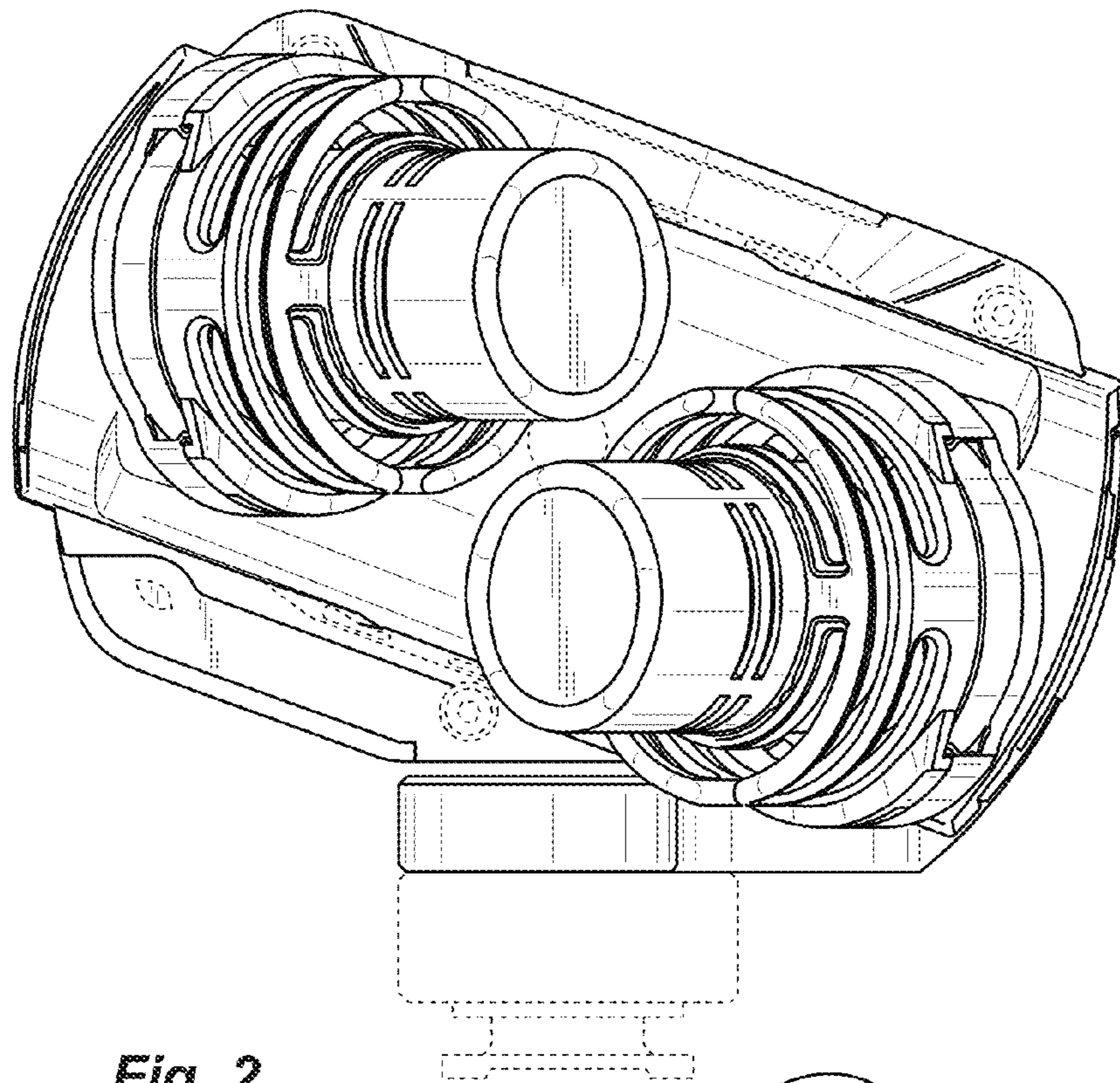


Fig. 2

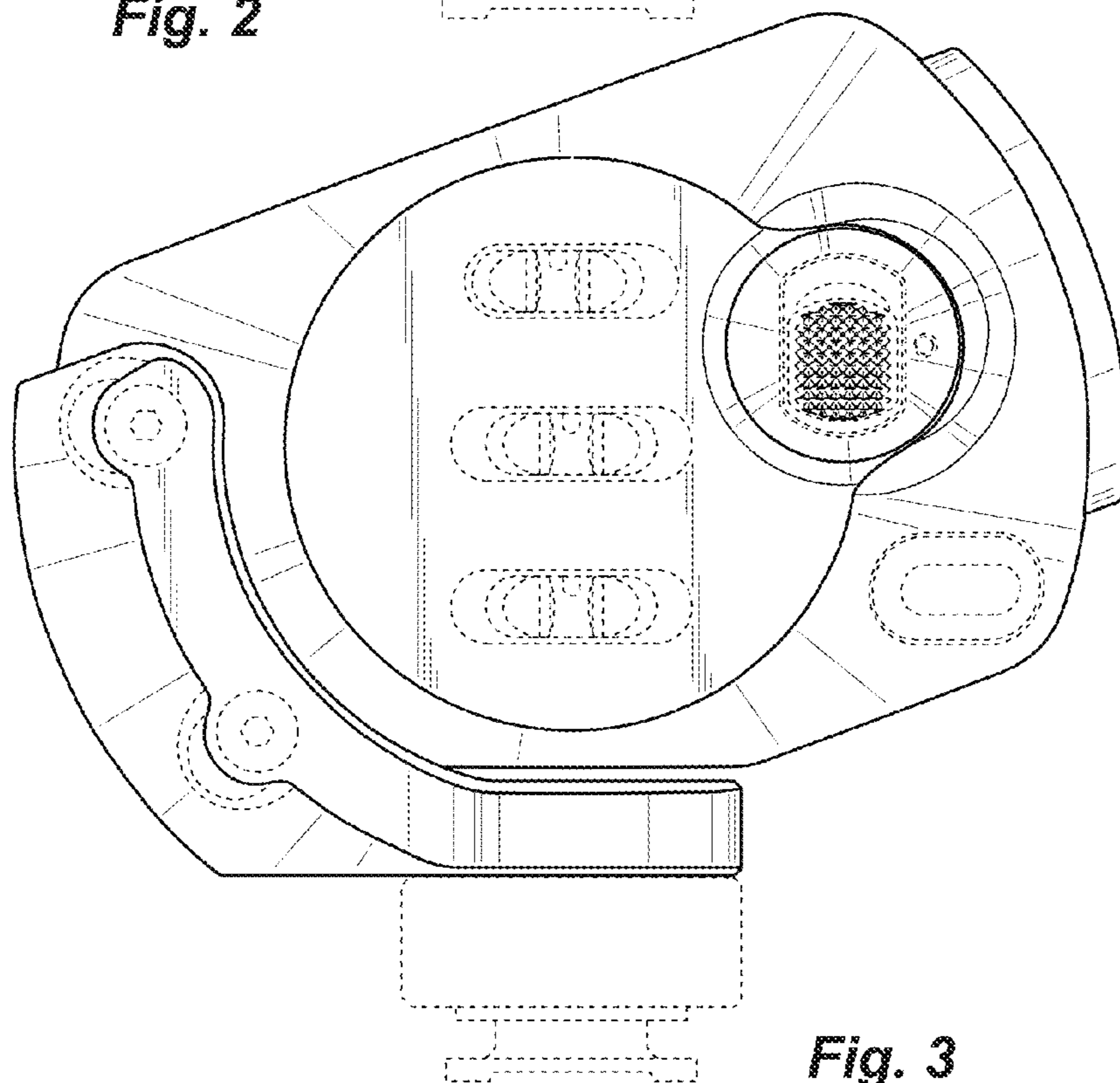


Fig. 3

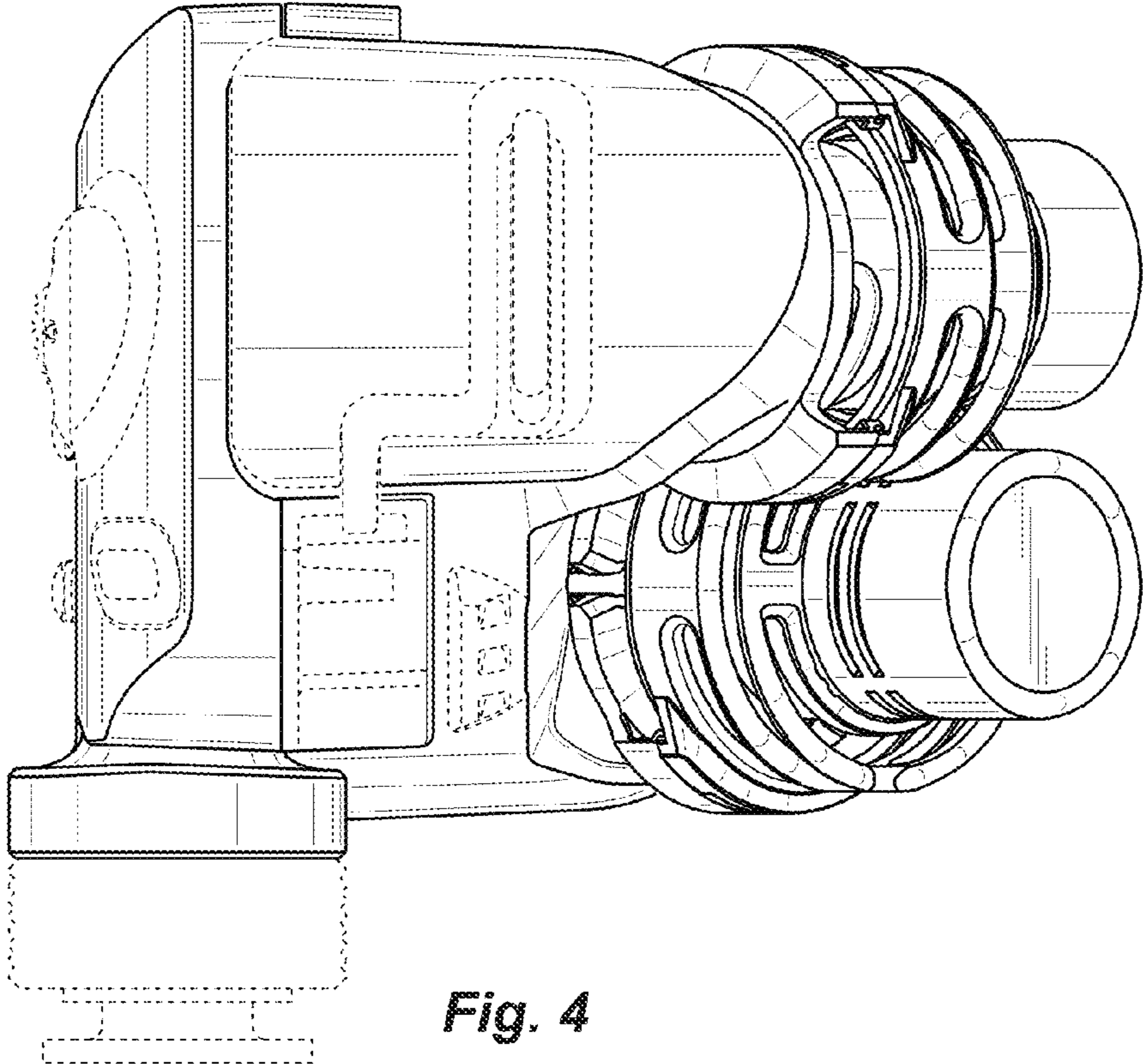


Fig. 4

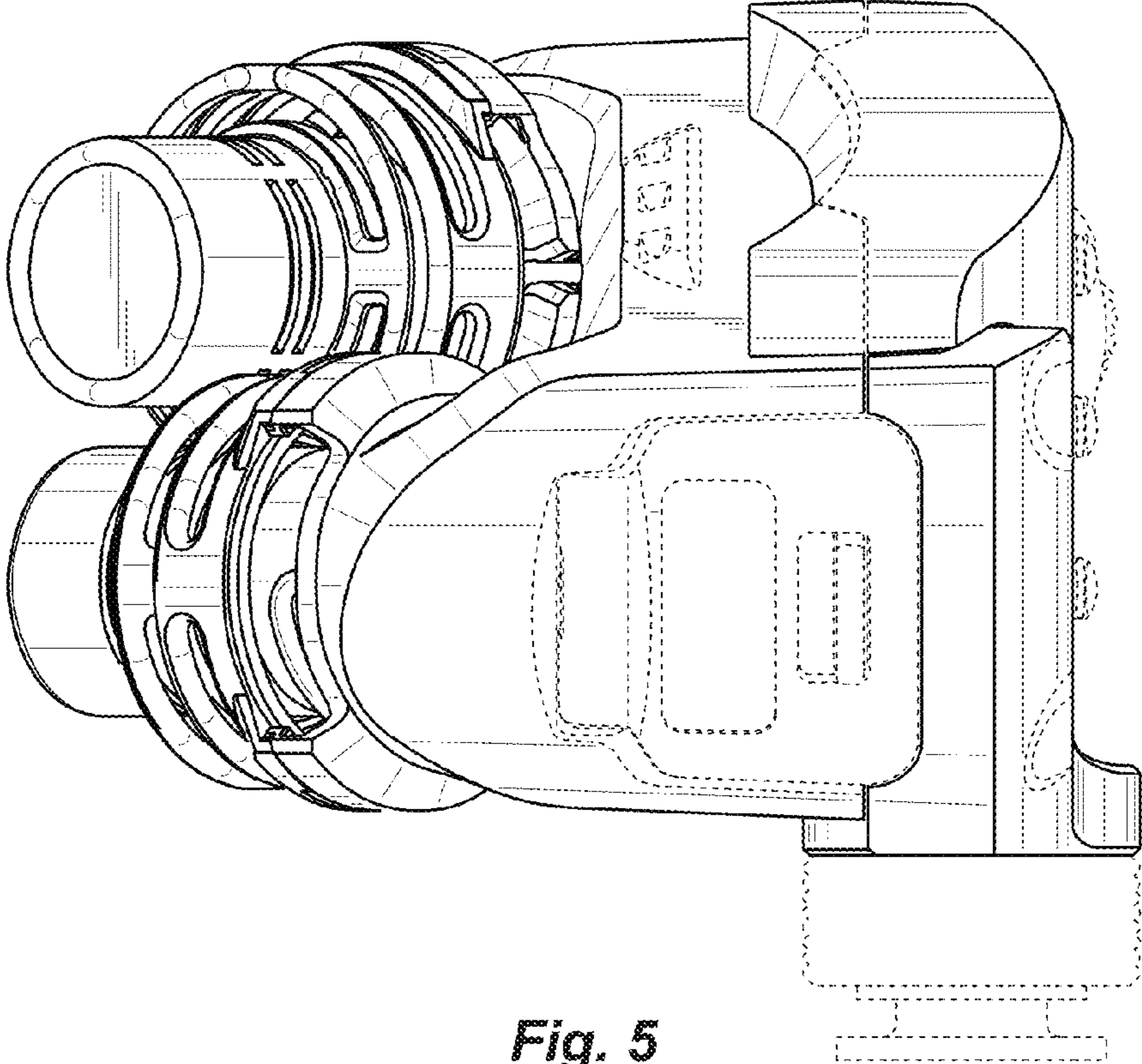


Fig. 5

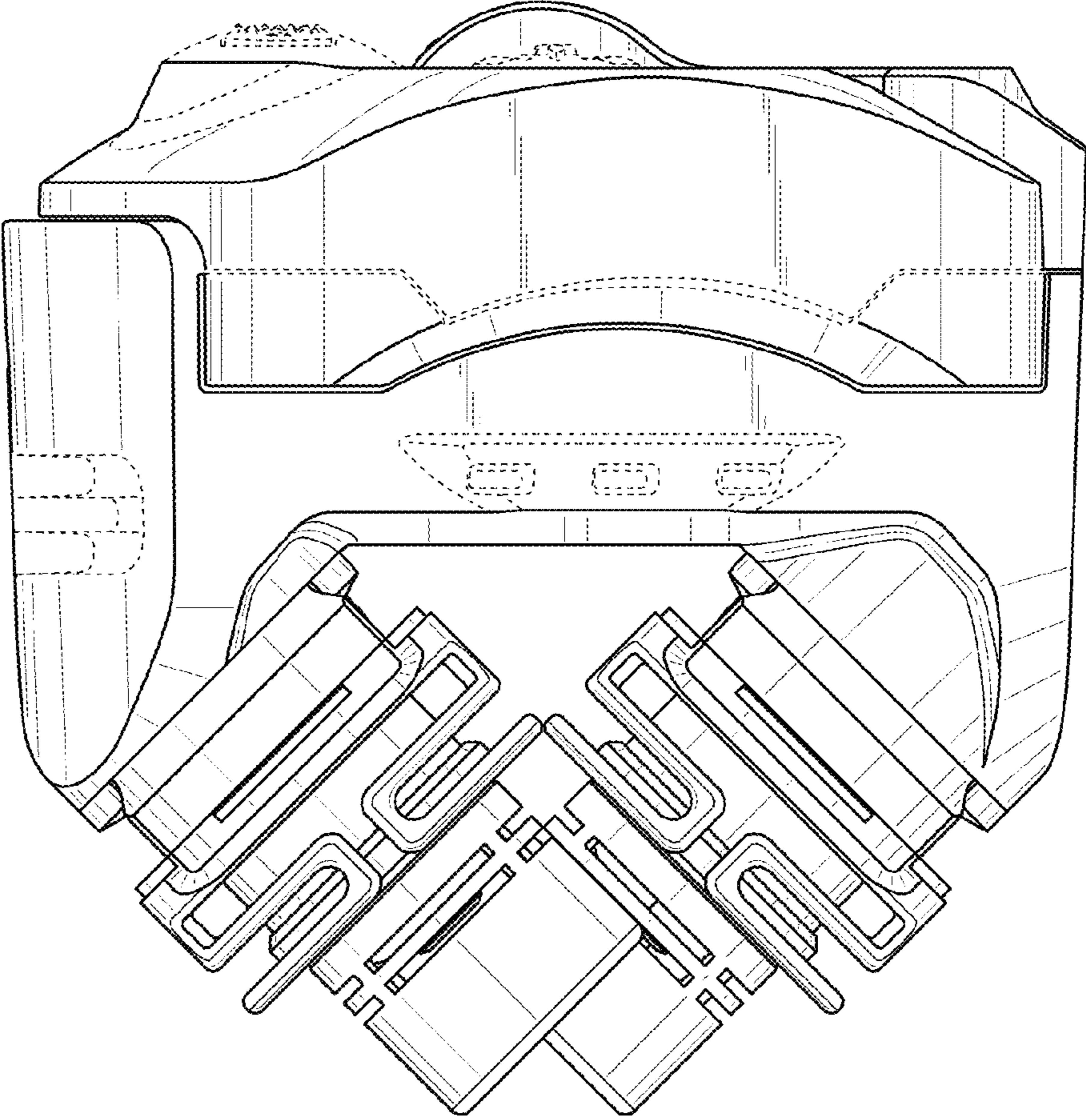


Fig. 6

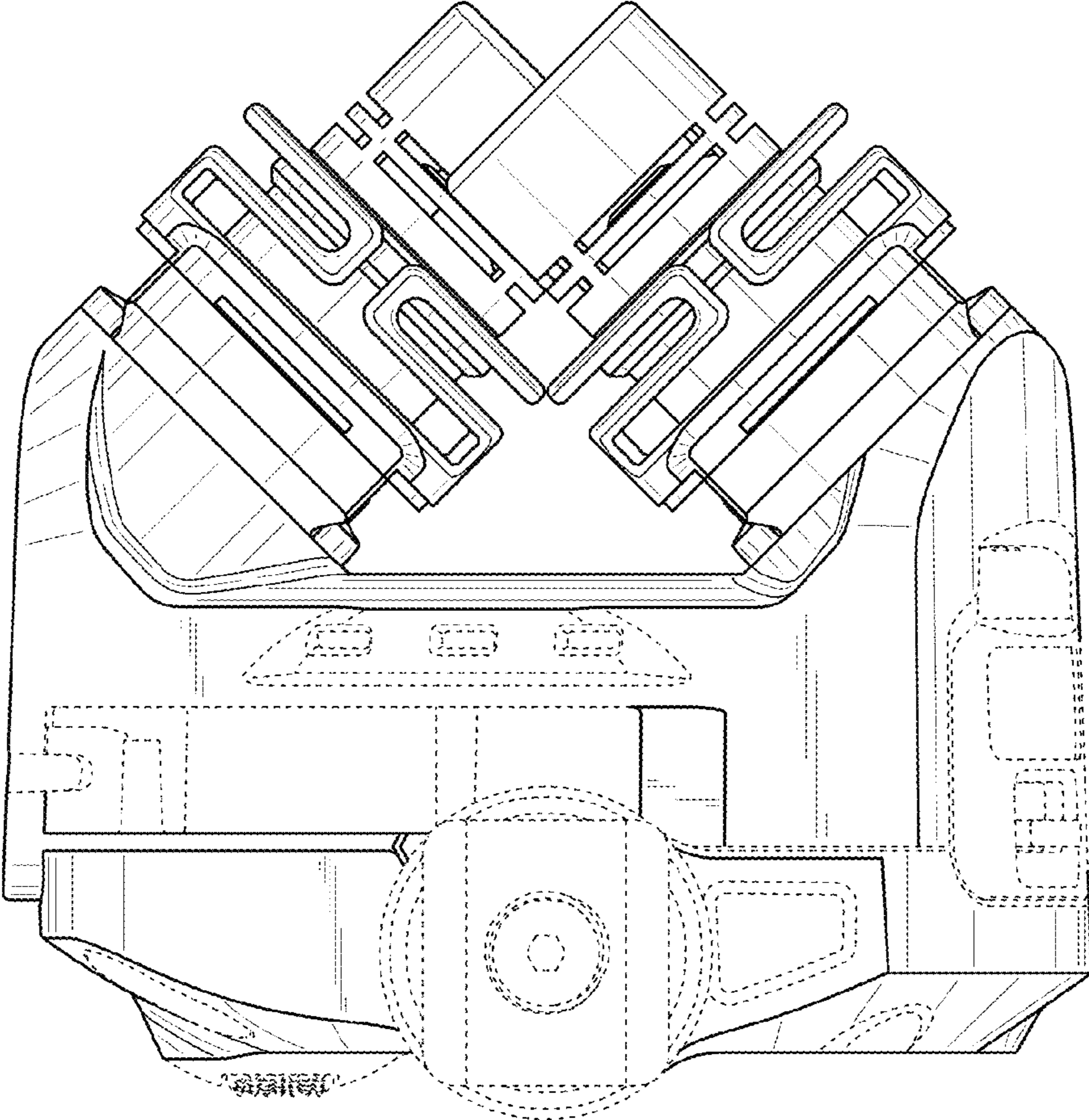


Fig. 7

UNITED STATES PATENT AND TRADEMARK OFFICE
CERTIFICATE OF CORRECTION

PATENT NO. : D707,207 S
APPLICATION NO. : 29/443788
DATED : June 17, 2014
INVENTOR(S) : Peter Noel Cooper et al.

Page 1 of 1

It is certified that error appears in the above-identified patent and that said Letters Patent is hereby corrected as shown below:

Title Page, should read, (73) Assignee: Freedman Electronics Pty. Ltd. (AU)

Signed and Sealed this
Second Day of September, 2014



Michelle K. Lee
Deputy Director of the United States Patent and Trademark Office