



US00D707206S

(12) **United States Design Patent**
Akana et al.

(10) **Patent No.:** **US D707,206 S**
(45) **Date of Patent:** **** Jun. 17, 2014**

(54) **EARPHONE**

USPC D14/205, 223; D24/174; 181/129, 130,
181/135; 379/430, 431; 381/380, 381;
455/90.3, 575.1

(71) Applicant: **Apple Inc.**, Cupertino, CA (US)

See application file for complete search history.

(72) Inventors: **Jody Akana**, San Francisco, CA (US);
Bartley K. Andre, Palo Alto, CA (US);
Jeremy Bataillou, San Francisco, CA
(US); **Daniel J. Coster**, San Francisco,
CA (US); **Daniele De Iuliis**, San
Francisco, CA (US); **M. Evans Hankey**,
San Francisco, CA (US); **Julian Hoenig**,
San Francisco, CA (US); **Richard P.**
Howarth, San Francisco, CA (US);
Jonathan P. Ive, San Francisco, CA
(US); **Duncan Robert Kerr**, San
Francisco, CA (US); **Shin Nishibori**,
Kailua, HI (US); **Matthew Dean**
Rohrbach, San Francisco, CA (US);
Peter Russell-Clarke, San Francisco,
CA (US); **Christopher J. Stringer**,
Woodside, CA (US); **Eugene Antony**
Whang, San Francisco, CA (US); **Rico**
Zörkendörfer, San Francisco, CA (US)

(56) **References Cited**

U.S. PATENT DOCUMENTS

4,532,649 A * 7/1985 Bellafore 381/324
4,672,672 A * 6/1987 Eggert et al. 381/324

(Continued)

OTHER PUBLICATIONS

U.S. Appl. No. 29/431,731, filed Sep. 11, 2012 (Not Published).

(Continued)

Primary Examiner — Paula Greene

(74) *Attorney, Agent, or Firm* — Sterne, Kessler, Goldstein
& Fox PLLC

(57) **CLAIM**

The ornamental design for an earphone, as shown and
described.

DESCRIPTION

FIG. 1 is a front perspective view of an earphone showing our
new design;
FIG. 2 is a rear perspective view thereof;
FIG. 3 is a front view thereof;
FIG. 4 is a rear view thereof;
FIG. 5 is a right side view thereof;
FIG. 6 is a left side view thereof;
FIG. 7 is a top view thereof; and,
FIG. 8 is a bottom view thereof.

The broken lines in the Figures show portions of the earphone
which form no part of the claimed design. The dot dash lines
show an unclaimed boundary and form no part of the claimed
design.

The shade lines in the Figures show contour and not surface
ornamentation.

1 Claim, 5 Drawing Sheets

(73) Assignee: **Apple Inc.**, Cupertino, CA (US)

(**) Term: **14 Years**

(21) Appl. No.: **29/453,449**

(22) Filed: **Apr. 29, 2013**

Related U.S. Application Data

(63) Continuation of application No. 29/431,563, filed on
Sep. 8, 2012, now Pat. No. Des. 681,015.

(51) **LOC (10) Cl.** **14-01**

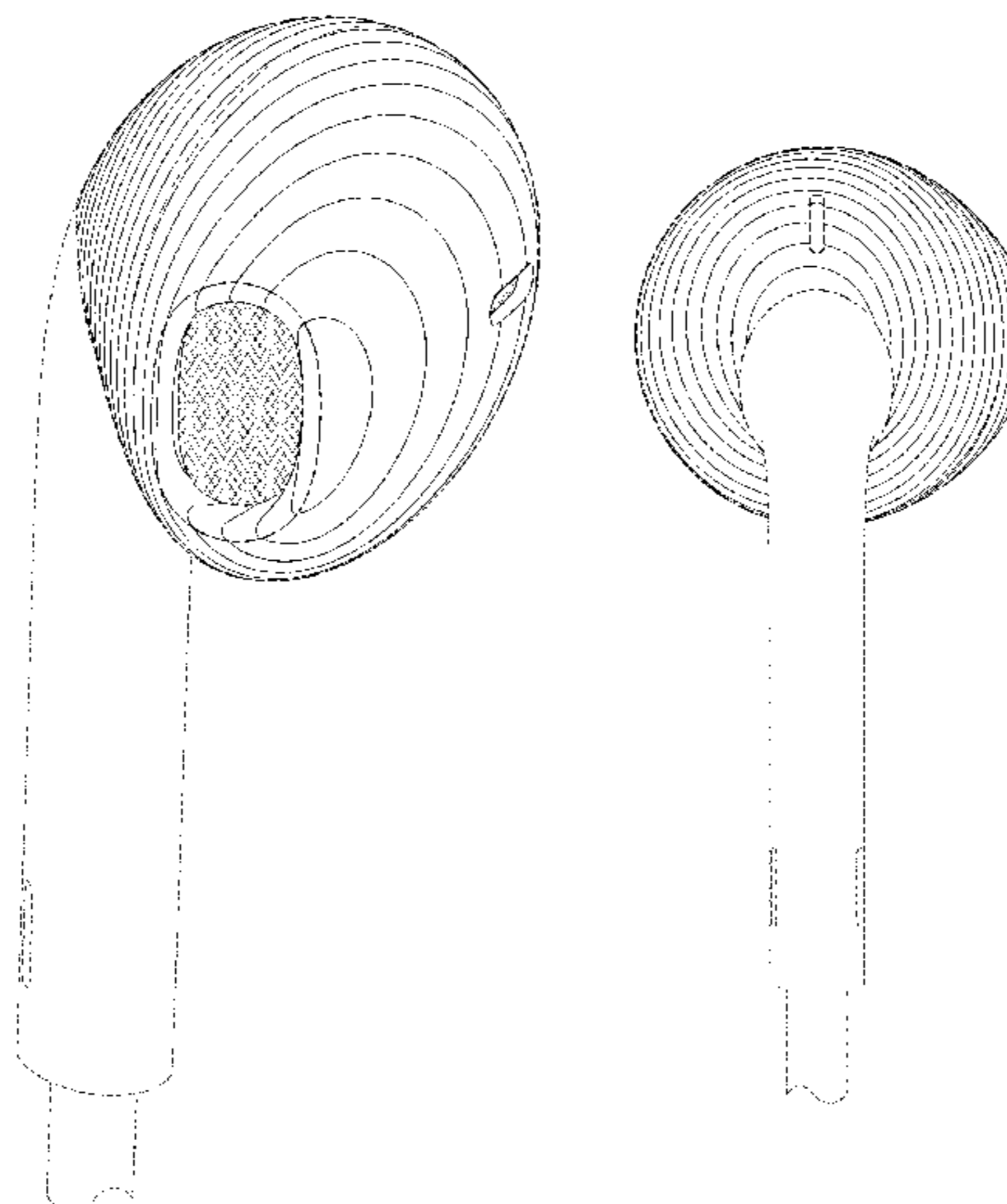
(52) **U.S. Cl.**

CPC **H04R 1/10** (2013.01)

USPC **D14/223**

(58) **Field of Classification Search**

CPC H04R 1/10



(56)

References Cited

U.S. PATENT DOCUMENTS

4,736,430 A * 4/1988 Schroder 381/322
 4,965,838 A 10/1990 Kamon et al.
 D337,118 S 7/1993 Seikita
 D353,379 S 12/1994 Nakamura et al.
 6,122,369 A 9/2000 Hwang et al.
 D469,753 S 2/2003 Andre et al.
 6,690,807 B1 * 2/2004 Meyer 381/327
 6,731,772 B1 5/2004 Byun
 D505,132 S * 5/2005 Linville et al. D14/223
 D506,744 S 6/2005 Andre et al.
 D515,070 S * 2/2006 Andre et al. D14/205
 D523,846 S 6/2006 Lee
 D533,868 S 12/2006 Koizumi
 D554,109 S 10/2007 Ledbetter et al.
 D566,687 S * 4/2008 Duarte et al. D14/205
 D568,291 S 5/2008 Andre et al.
 D573,977 S 7/2008 Ledbetter et al.
 D575,269 S 8/2008 Ledbetter et al.
 D578,518 S 10/2008 Ewert
 D579,923 S 11/2008 Andre et al.
 D587,677 S 3/2009 Andre et al.
 D589,491 S 3/2009 Andre et al.
 D589,498 S 3/2009 Komiyama
 D590,375 S 4/2009 Komiyama
 D593,537 S 6/2009 Arimoto
 D596,616 S 7/2009 Andre et al.
 D599,330 S 9/2009 Andre et al.
 D616,874 S 6/2010 Matsuoka
 D618,209 S 6/2010 Andre et al.
 D618,210 S 6/2010 Andre et al.
 D618,219 S 6/2010 Burgett et al.
 D622,265 S * 8/2010 Rye D14/223
 D626,948 S 11/2010 Nault
 D627,766 S 11/2010 Arimoto
 D628,193 S * 11/2010 Zheng D14/223

D633,086 S * 2/2011 Chen D14/223
 D639,279 S 6/2011 Andre et al.
 D652,823 S 1/2012 Chen
 D656,481 S 3/2012 McManigal
 D662,493 S * 6/2012 Chen D14/223
 D662,495 S 6/2012 Andre et al.
 D664,523 S * 7/2012 Naitou D14/223
 D666,580 S 9/2012 Lee et al.
 D669,058 S 10/2012 Lee et al.
 D669,453 S * 10/2012 Katsuraku et al. D14/223
 D675,194 S 1/2013 Andre et al.
 8,345,912 B2 1/2013 Akihiko et al.
 D676,427 S 2/2013 Yang
 8,391,533 B2 3/2013 Sim et al.
 D681,015 S 4/2013 Akana et al.
 D687,419 S * 8/2013 Andre et al. D14/223
 D691,594 S * 10/2013 Akana et al. D14/223
 D694,249 S * 11/2013 Akana et al. D14/447
 2012/0155692 A1 * 6/2012 Chen 381/380
 2012/0237074 A1 9/2012 Aase
 2013/0004011 A1 * 1/2013 Hayashida et al. 381/380
 2013/0343595 A1 * 12/2013 Zorkendorfer et al. 381/380

OTHER PUBLICATIONS

U.S. Appl. No. 29/431,868, filed Sep. 11, 2012 (Not Published).
 U.S. Appl. No. 29/431,876, filed Sep. 11, 2012 (Not Published).
 U.S. Appl. No. 29/432,033, filed Sep. 12, 2012 (Not Published).
 U.S. Appl. No. 29/444,234, filed Jan. 28, 2013 (Not Published).
 "iBlink WLP3 Earbuds—100Hz-10kHz, Noise Isolation, 3.5mm Jack, LED Light (Pink), White," TigerDirect.com, accessed at http://www.tigerdirect.com/applications/SearchTools/item-details.asp?EdpNo=3988300&csid=__61, last accessed on Jan. 31, 2013; 4 pages.
 "Philips SHE2650/37 In-Ear Earbuds with Twin Vents," ShoppingNexus.com, accessed at <http://www.shoppingnexus.com/electronics/pr/philips-she265037-in-ear-earbuds-with-twin-vents1.html>, last accessed on Jan. 31, 2013; 1 page.

* cited by examiner

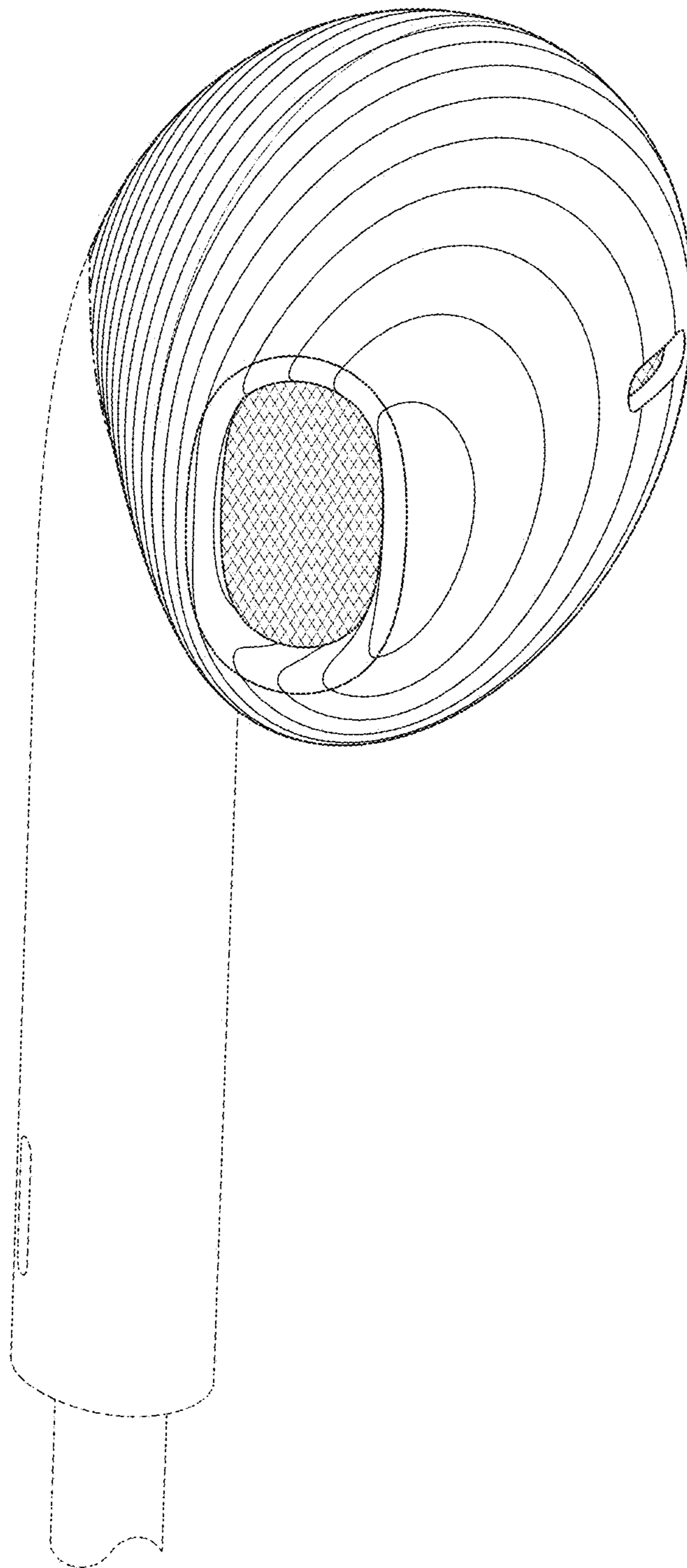


FIG. 1

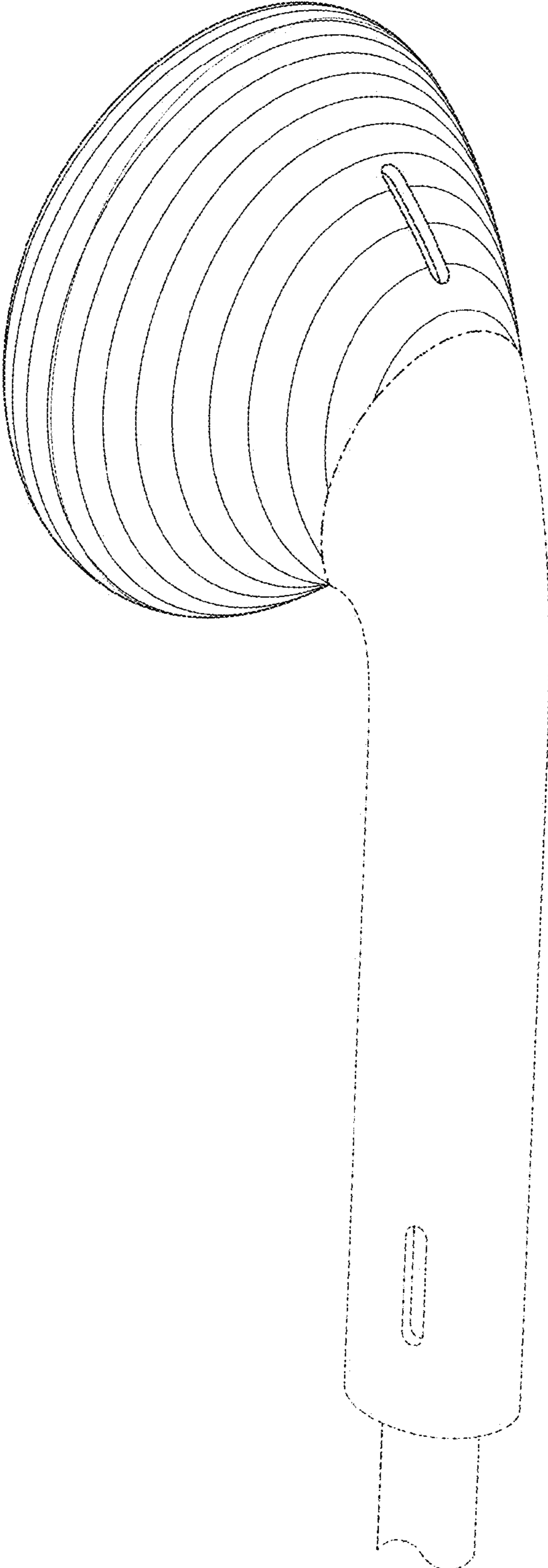


FIG. 2

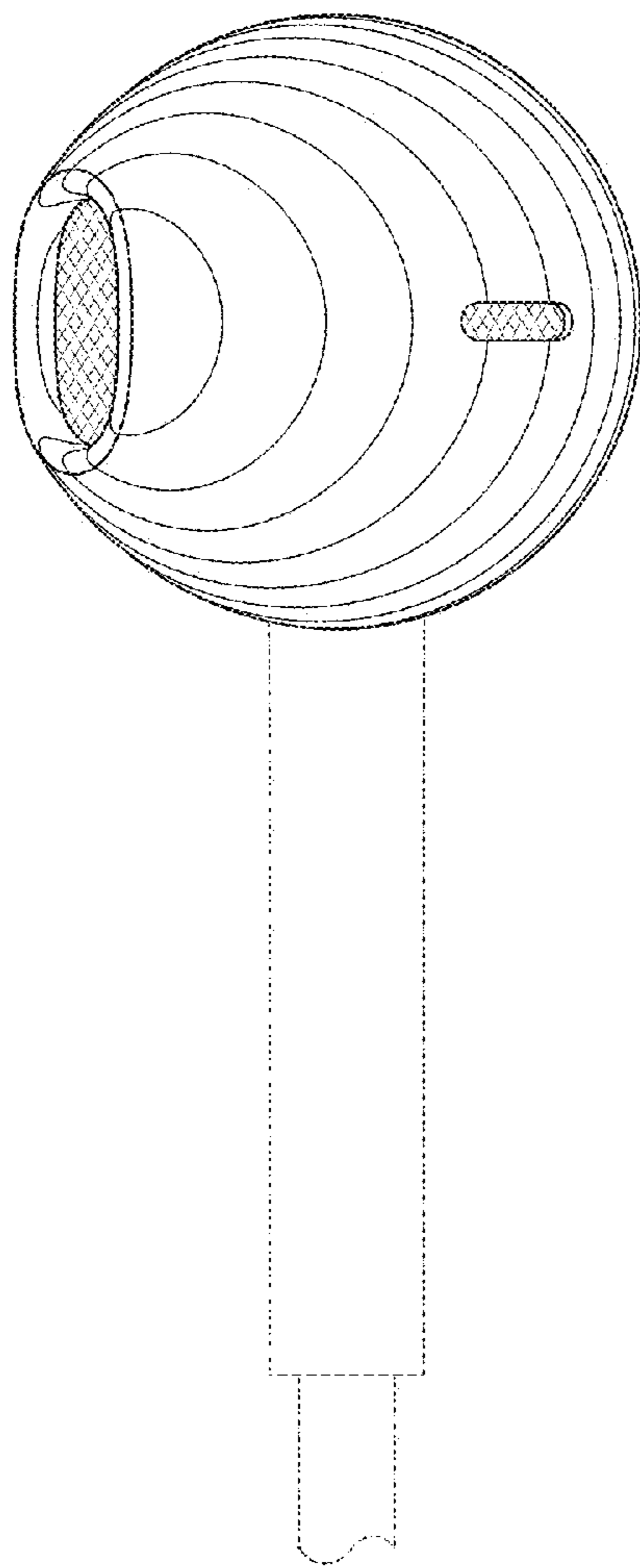


FIG. 3

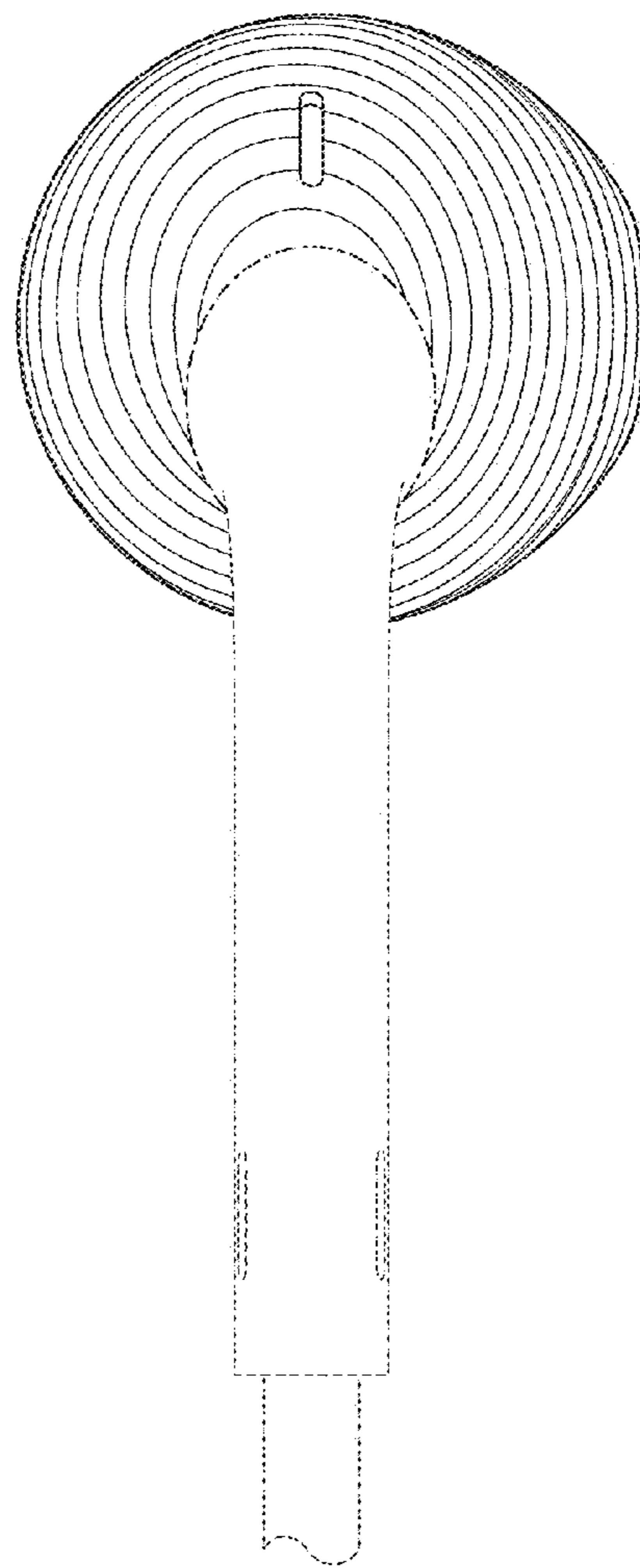


FIG. 4

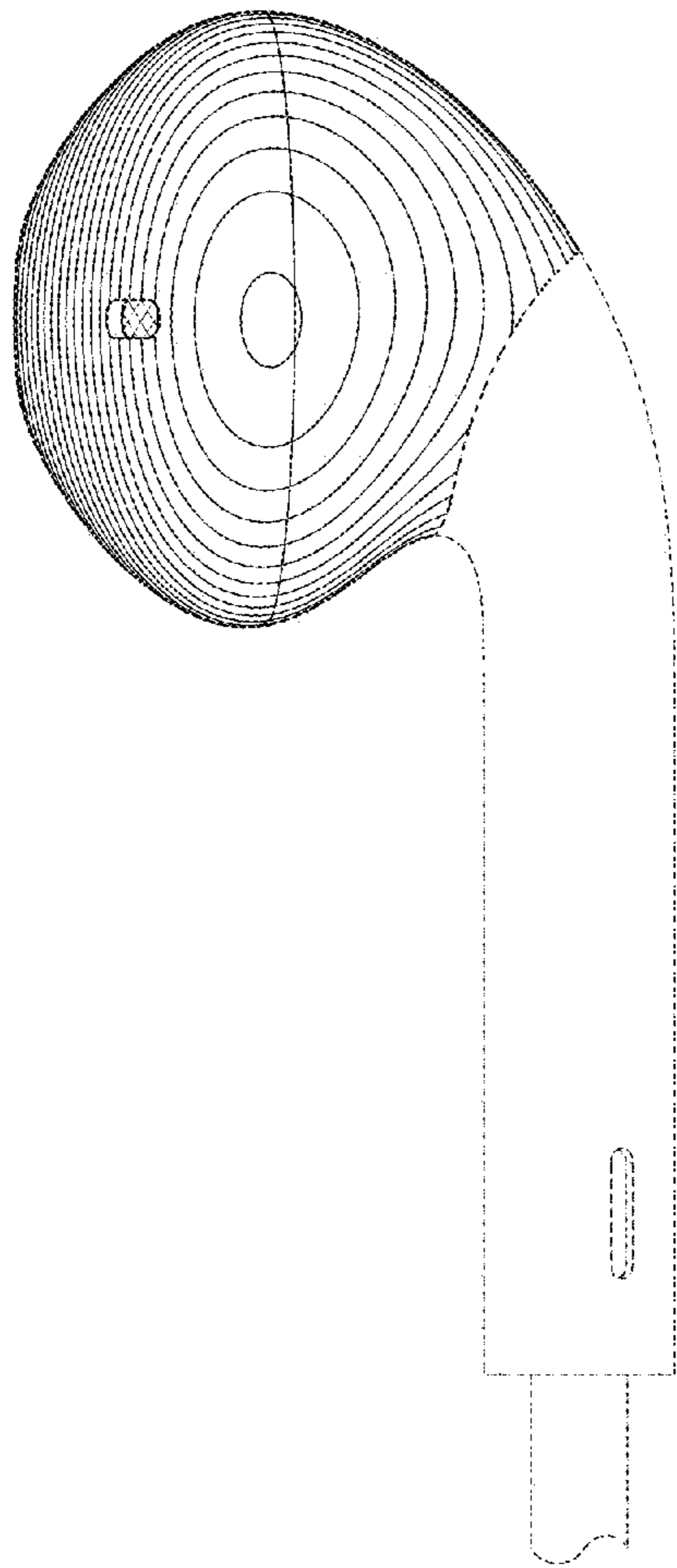


FIG. 5

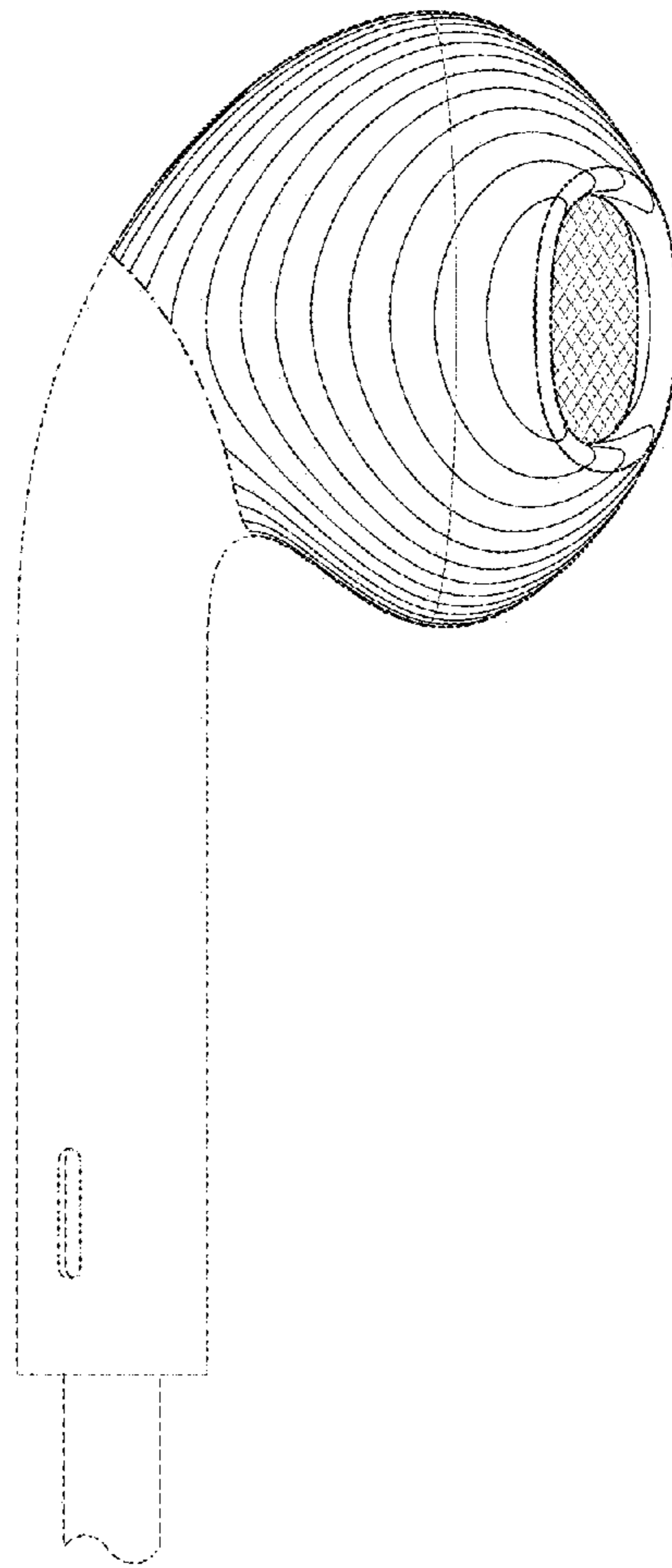


FIG. 6

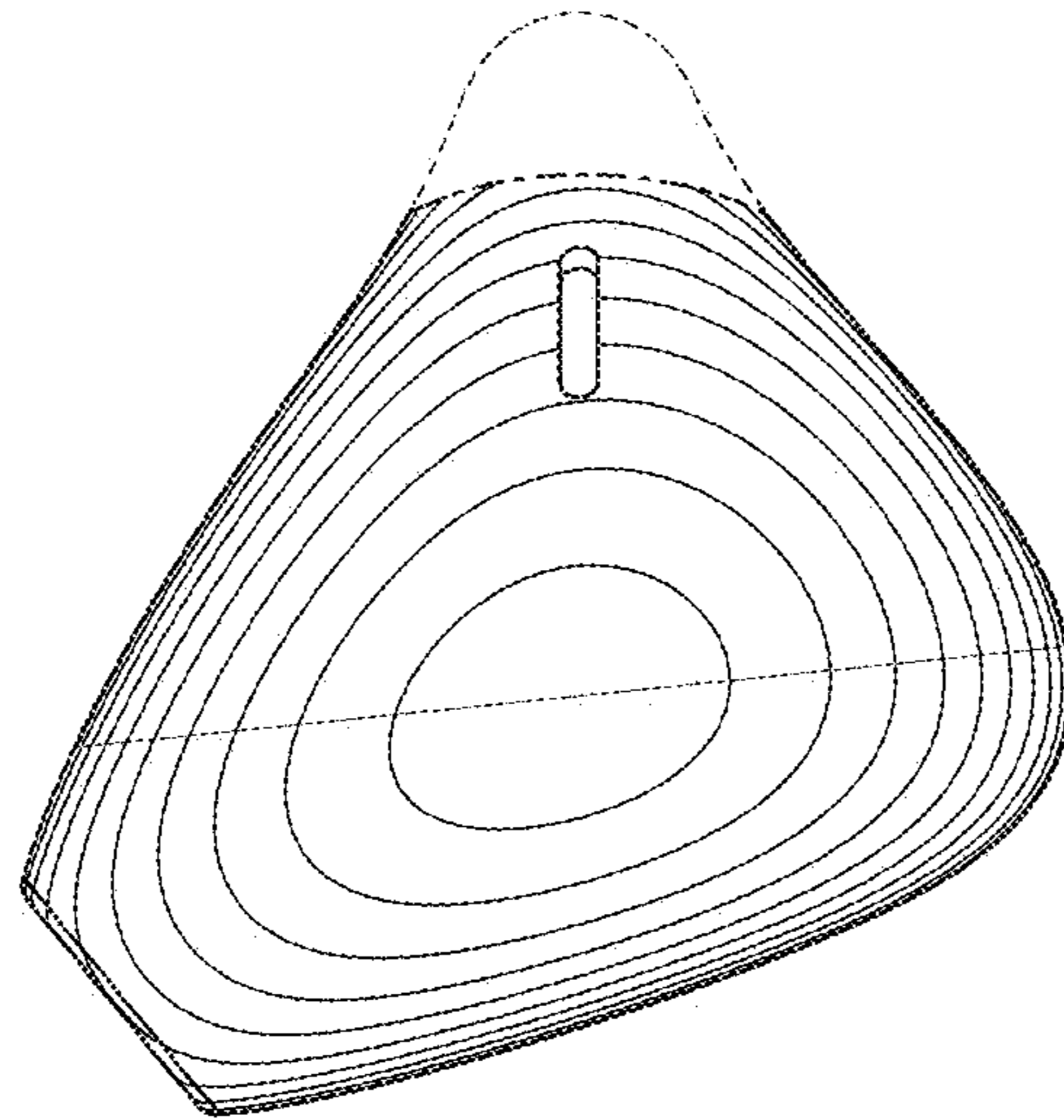


FIG. 7

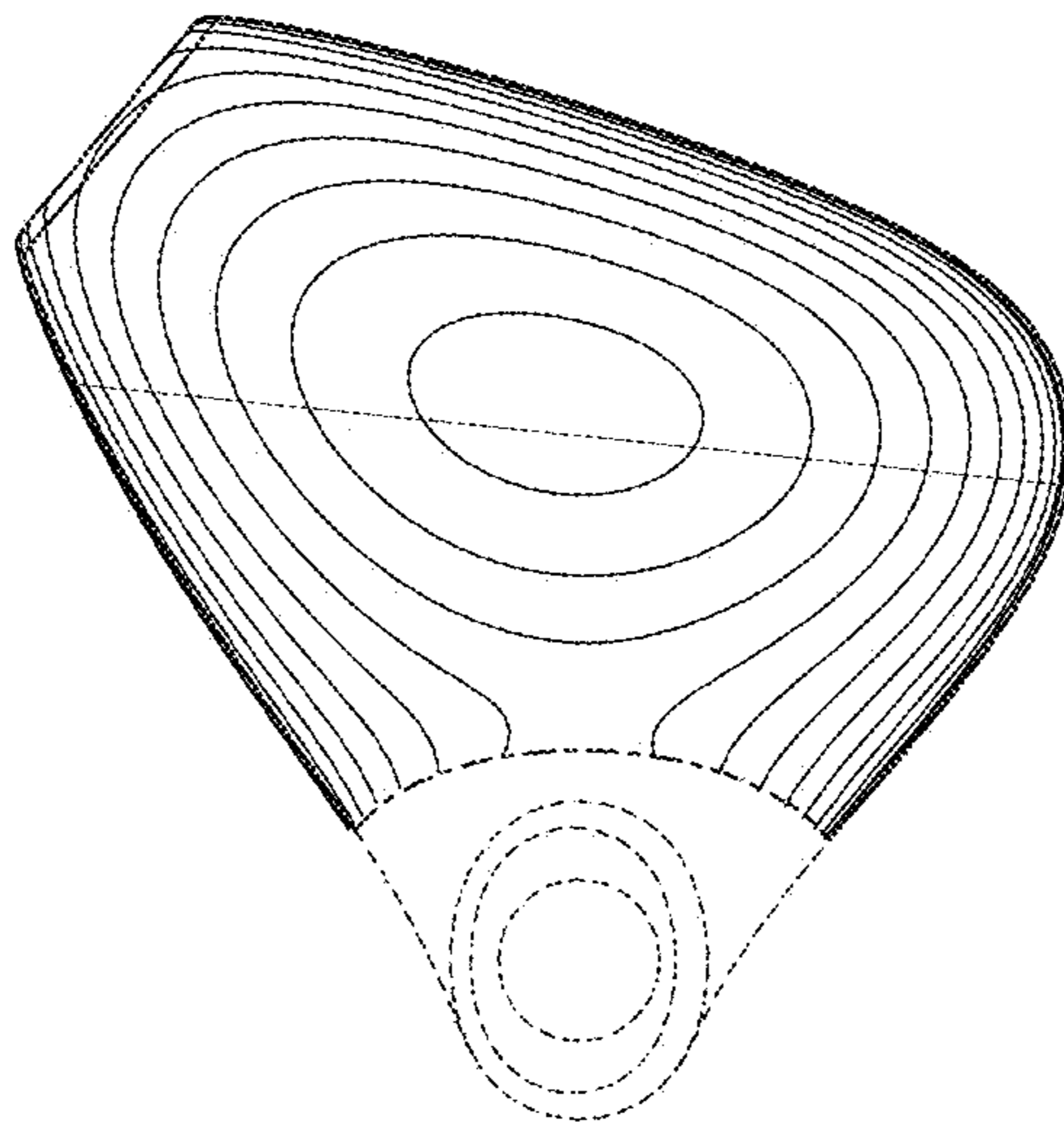


FIG. 8