



US00D707205S

(12) **United States Design Patent**  
**Wenger et al.**

(10) **Patent No.:** **US D707,205 S**  
(45) **Date of Patent:** **\*\* Jun. 17, 2014**

(54) **IN-EAR HEADPHONES**

(71) Applicant: **Grain Audio**, New York, NY (US)  
(72) Inventors: **Mitchell Wenger**, Denville, NJ (US);  
**Christopher Weir**, Mill Valley, CA (US); **David Burke**, Effort, PA (US);  
**Kevin Schudde**, Darien, CT (US)  
(73) Assignee: **Grain Audio, LLC**, New York, NY (US)  
(\*\*) Term: **14 Years**

(21) Appl. No.: **29/446,672**  
(22) Filed: **Feb. 26, 2013**  
(51) **LOC (10) Cl.** ..... **14-01**  
(52) **U.S. Cl.**  
CPC ..... **H04R 25/00** (2013.01)  
USPC ..... **D14/223**  
(58) **Field of Classification Search**  
CPC ..... H04R 25/00  
USPC ..... D14/223, 205, 206; D24/106, 174;  
181/129, 130, 135; 379/430, 431;  
381/380, 381; 455/90.3, 575.1  
See application file for complete search history.

(56) **References Cited**

**U.S. PATENT DOCUMENTS**

4,122,841	A *	10/1978	Rock et al.	600/559
5,410,608	A *	4/1995	Lucey et al.	381/360
5,991,422	A *	11/1999	Chiang	381/370
6,574,345	B1 *	6/2003	Huang	381/380
D554,627	S *	11/2007	Gondo et al.	D14/223
D555,152	S *	11/2007	Wang	D14/223
D567,217	S *	4/2008	Kamo et al.	D14/205
D572,703	S *	7/2008	Ledbetter et al.	D14/205

D576,154	S *	9/2008	Ledbetter et al.	D14/223
D587,681	S *	3/2009	Yanai	D14/205
D594,441	S *	6/2009	Lee et al.	D14/205
D595,268	S *	6/2009	Kolton	D14/223
D596,616	S *	7/2009	Andre et al.	D14/205
D598,894	S *	8/2009	Masuda et al.	D14/205
D606,972	S *	12/2009	Schaefer	D14/205
D611,934	S *	3/2010	Schaefer	D14/223
D616,874	S *	6/2010	Matsuoka	D14/223
D618,210	S *	6/2010	Andre et al.	D14/205
D624,056	S *	9/2010	Kolton	D14/223
D628,564	S *	12/2010	Chong et al.	D14/223
D639,279	S *	6/2011	Andre et al.	D14/223
D642,163	S *	7/2011	Lee et al.	D14/223

(Continued)

**OTHER PUBLICATIONS**

Press Release by Incase Audio entitled: "Coming Fall 2011: Incase Audio: Natural sound. Minimal design" (Fall 2011).

*Primary Examiner* — Paula Greene

(74) *Attorney, Agent, or Firm* — McCarter & English, LLP

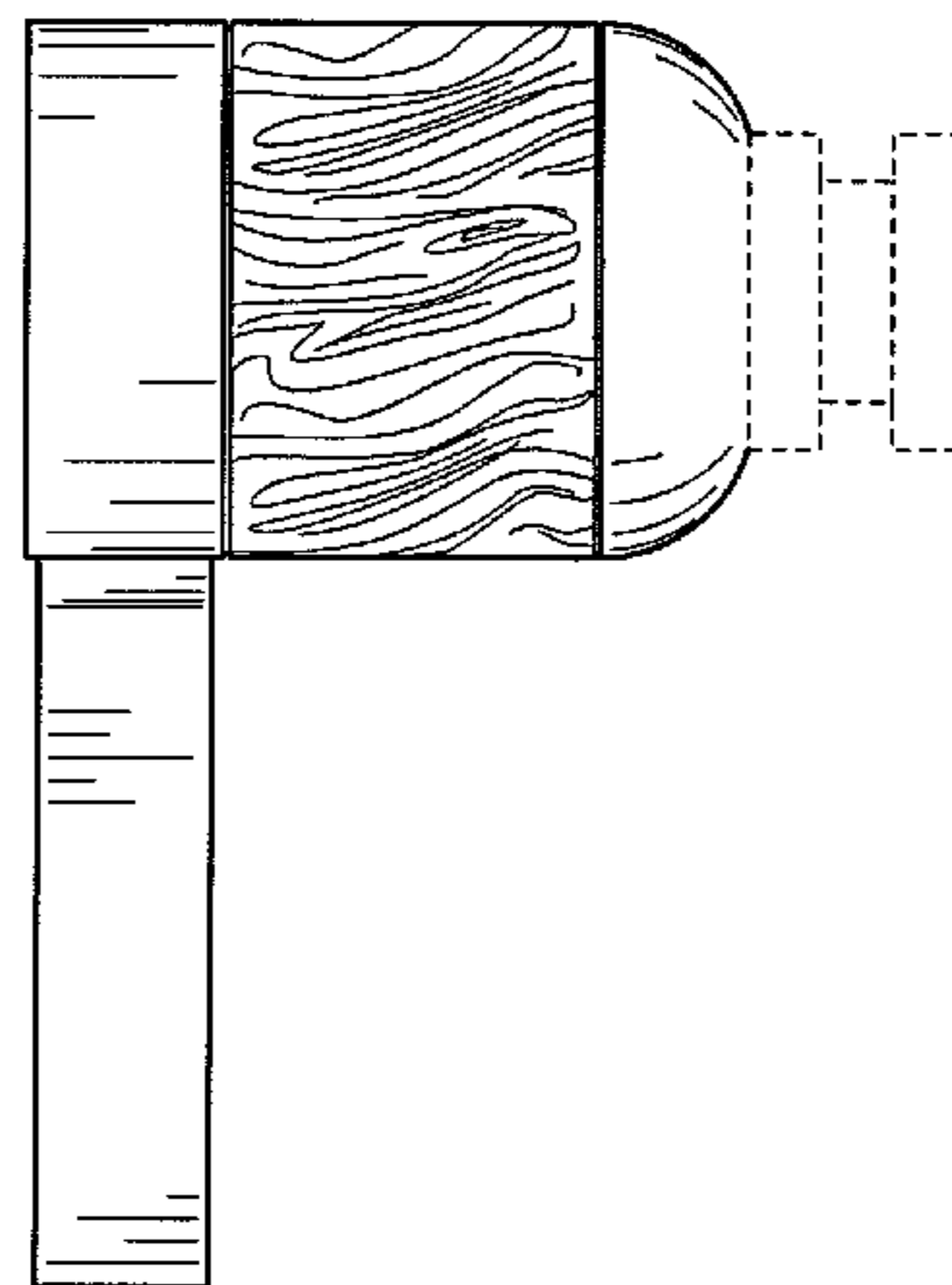
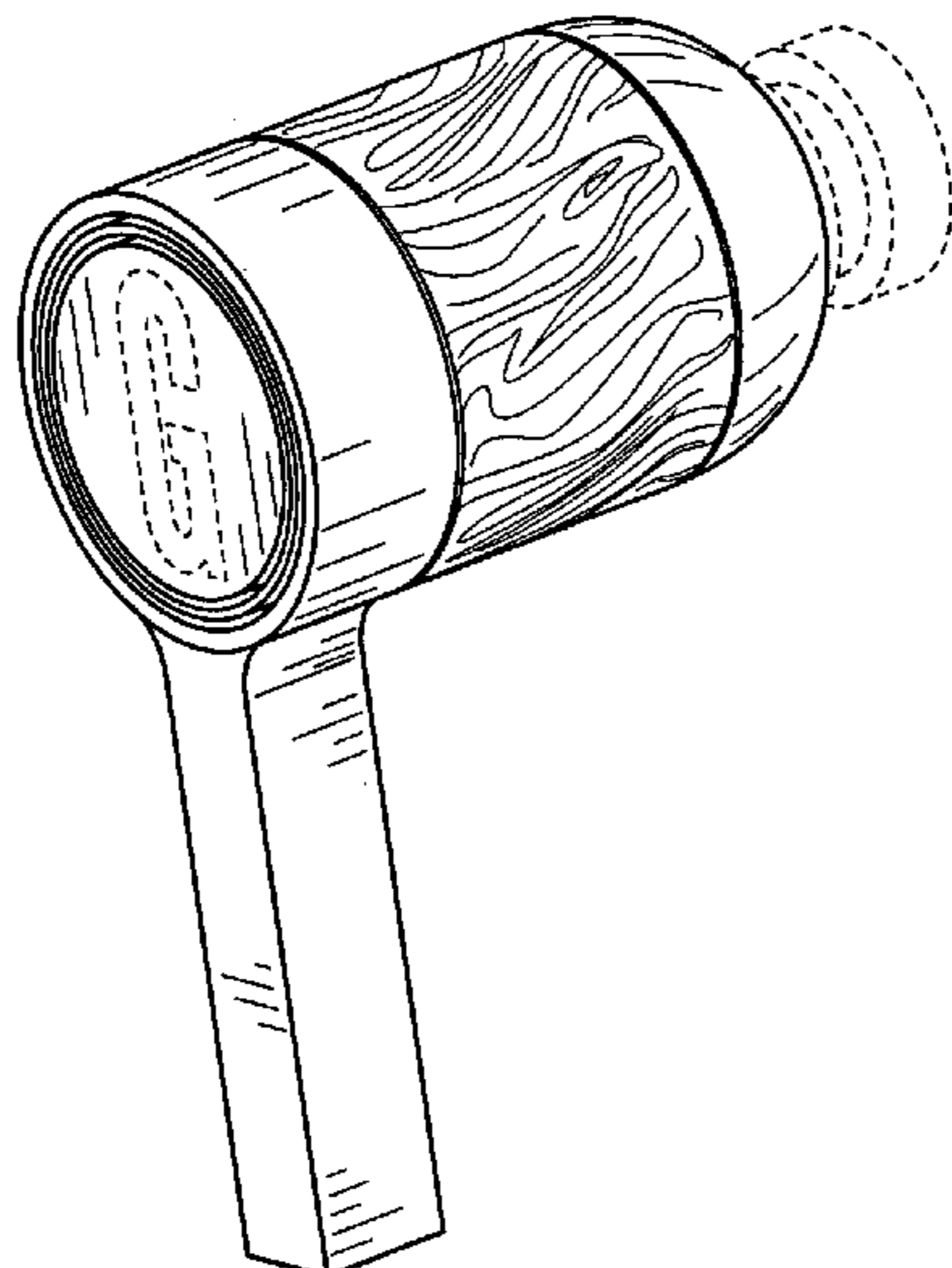
(57) **CLAIM**

What is claimed is an ornamental design for in-ear headphones, as shown and described.

**DESCRIPTION**

FIG. 1 is a perspective view of in-ear headphones, including indicia and portions which are shown in phantom lines and form no part of the claimed design;  
FIG. 2 is a right side view of the headphones of FIG. 1;  
FIG. 3 is a left side view of the headphones of FIG. 1;  
FIG. 4 is a rear view of the headphones of FIG. 1;  
FIG. 5 is a front view of the headphones of FIG. 1;  
FIG. 6 is a top view of the headphones of FIG. 1; and,  
FIG. 7 is a bottom view of the headphones of FIG. 1.

**1 Claim, 2 Drawing Sheets**



(56)

**References Cited**

U.S. PATENT DOCUMENTS

D643,416 S \* 8/2011 Chong et al. .... D14/223  
D653,236 S \* 1/2012 Andre et al. .... D14/205  
D662,495 S \* 6/2012 Andre et al. .... D14/223  
8,265,323 B2 \* 9/2012 Stiehl et al. .... 381/371  
8,270,656 B2 \* 9/2012 Stiehl et al. .... 381/380  
D674,376 S \* 1/2013 Kelly et al. .... D14/223

D677,248 S \* 3/2013 Yoon ..... D14/223  
D678,251 S \* 3/2013 Cantoni et al. .... D14/223  
D680,102 S \* 4/2013 Chen ..... D14/223  
D691,278 S \* 10/2013 Aunio ..... D24/210  
D697,050 S \* 1/2014 Thompson et al. .... D14/206  
D697,058 S \* 1/2014 Thompson et al. .... D14/223  
2007/0098201 A1 \* 5/2007 Chen ..... 381/380  
2013/0170692 A1 \* 7/2013 Kaneko et al. .... 381/380

\* cited by examiner

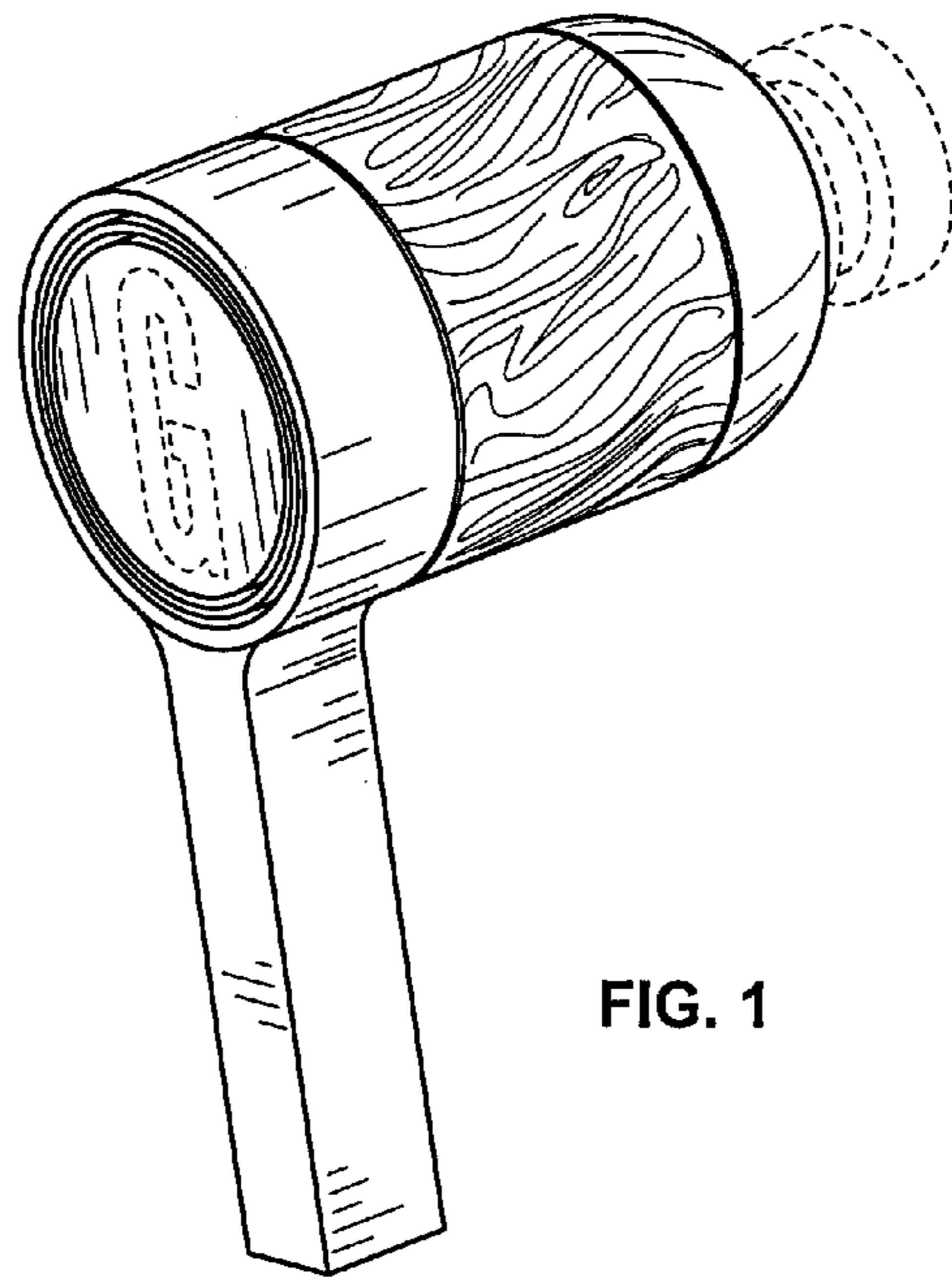


FIG. 1

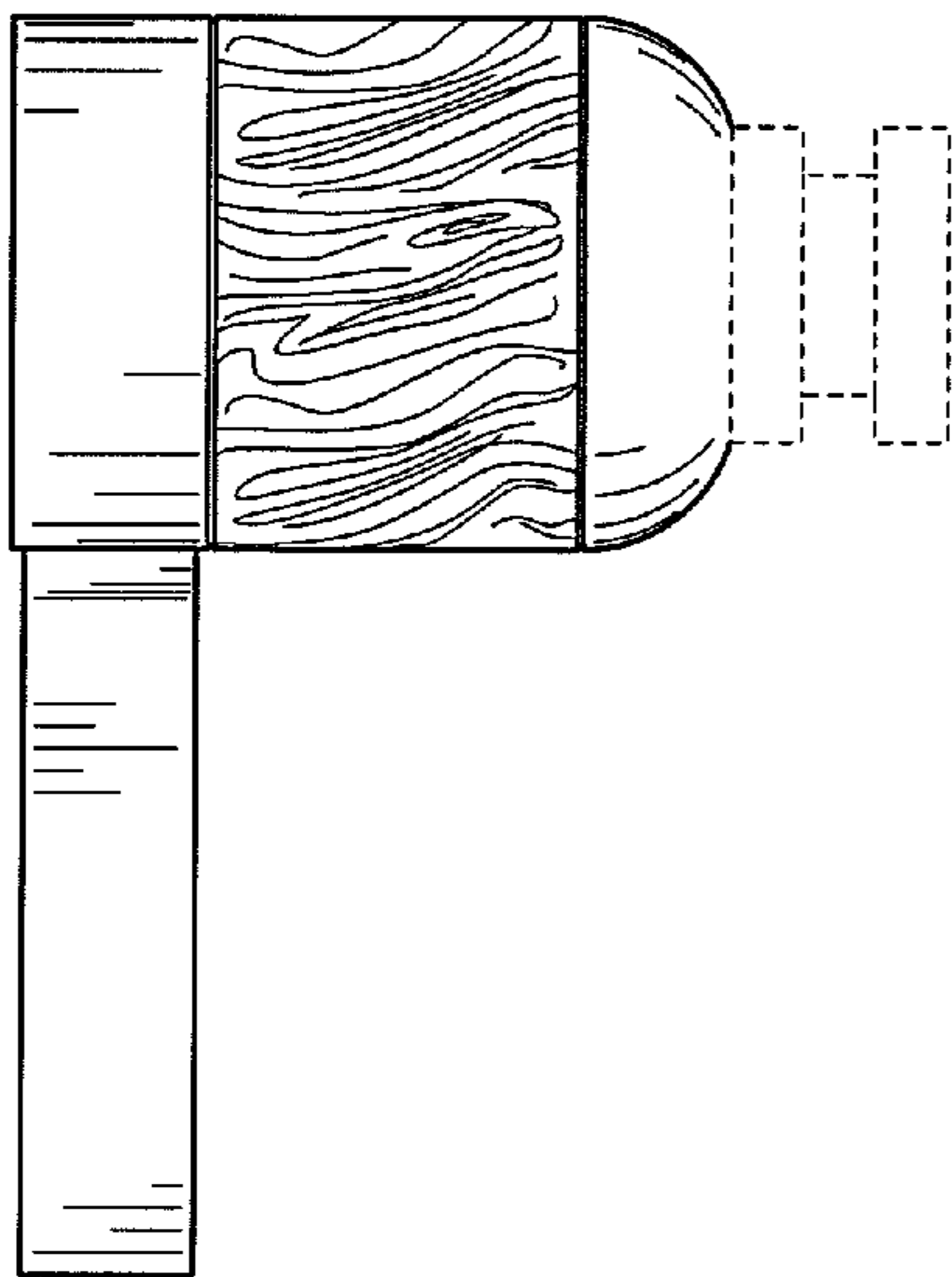


FIG. 2

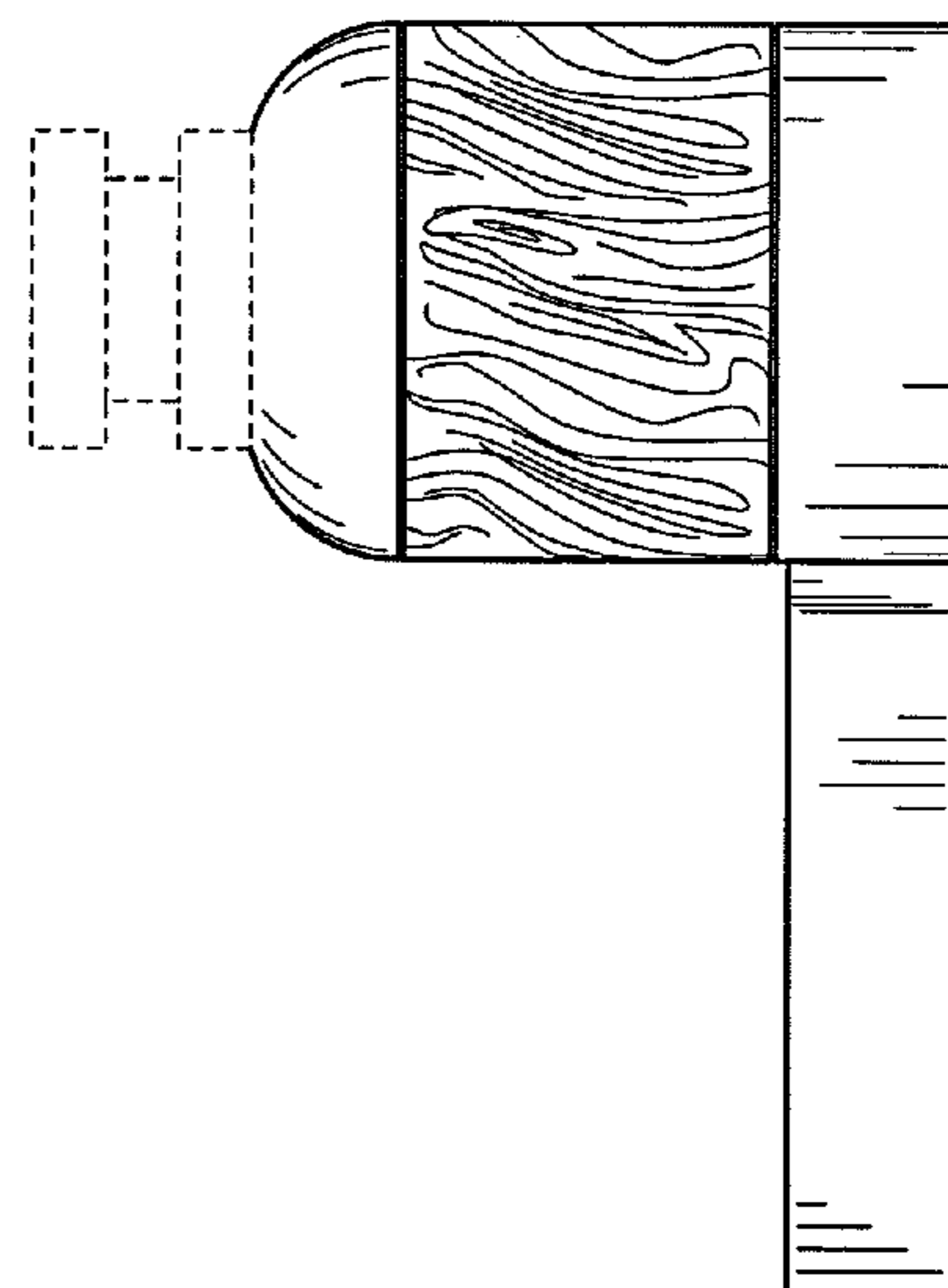


FIG. 3

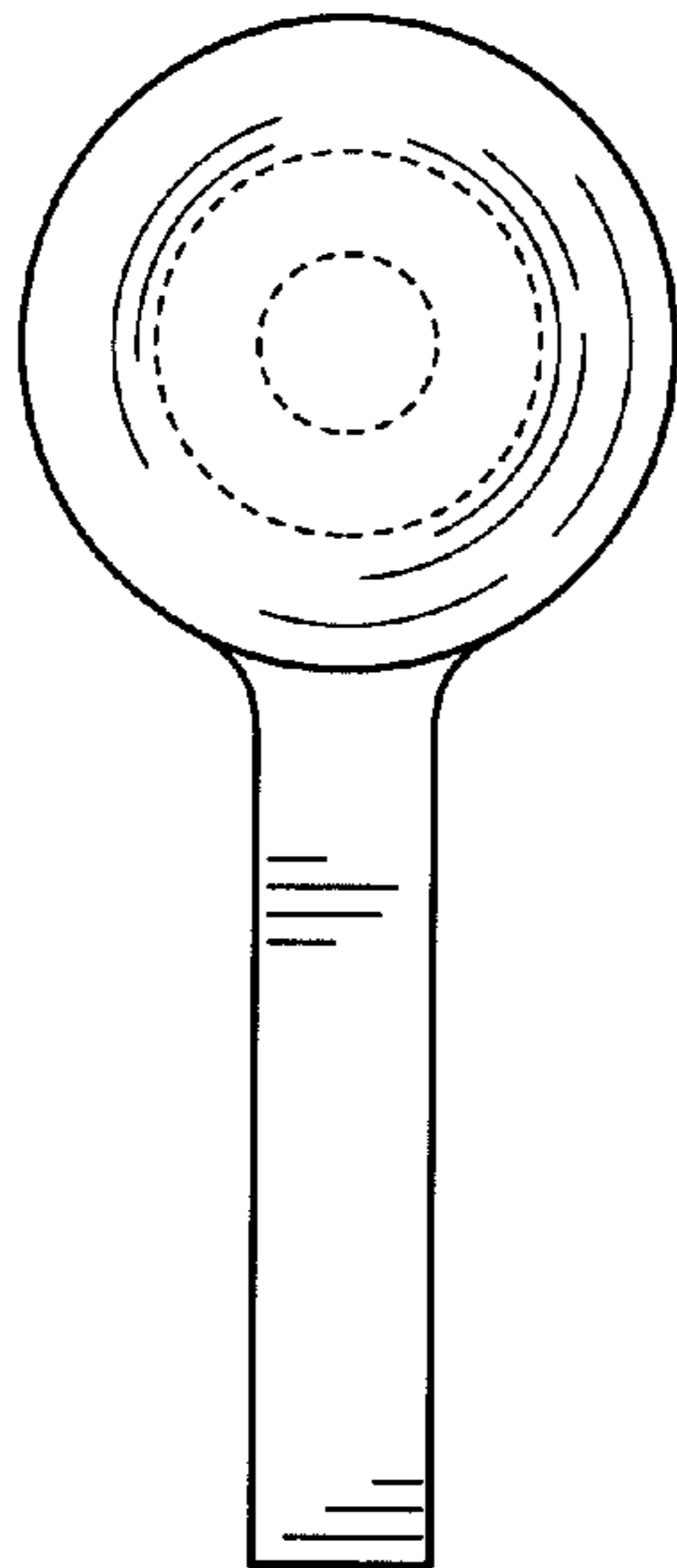


FIG. 4

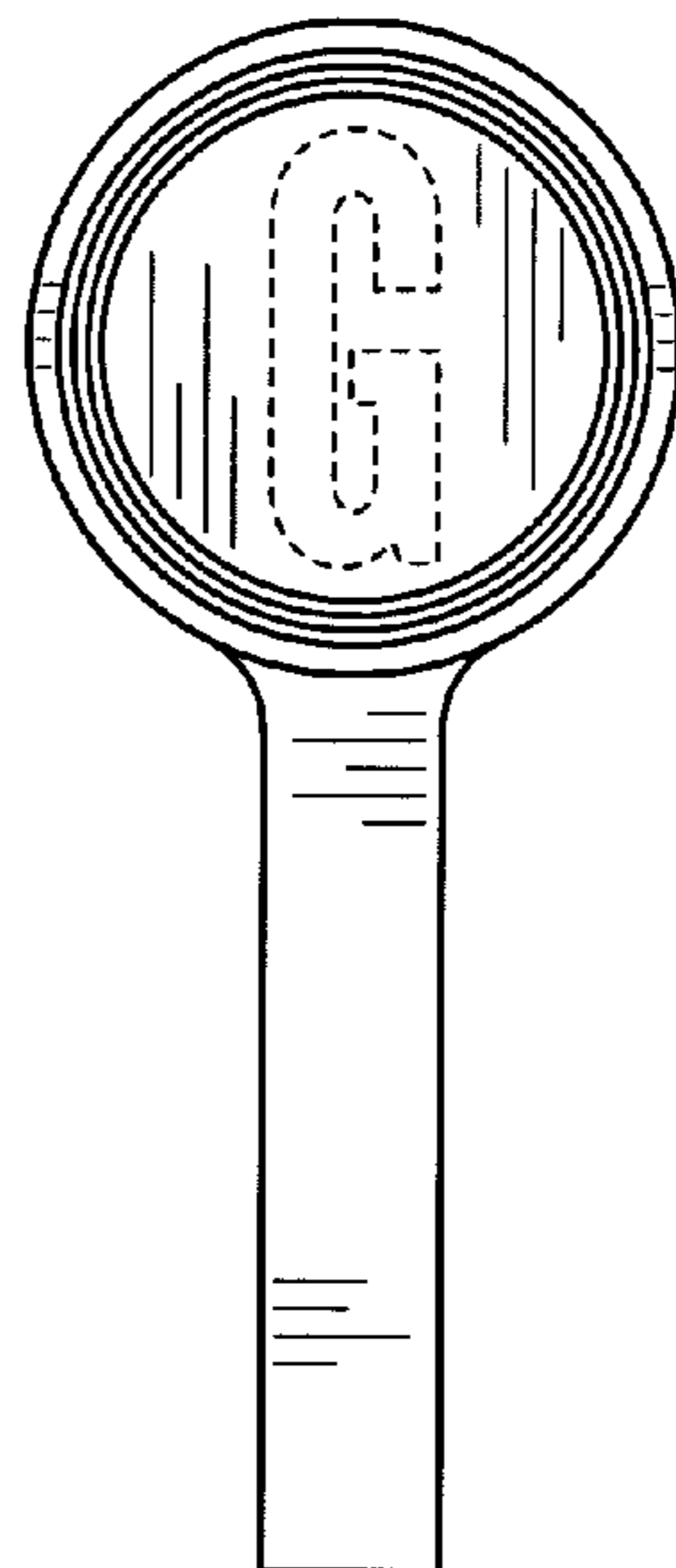


FIG. 5

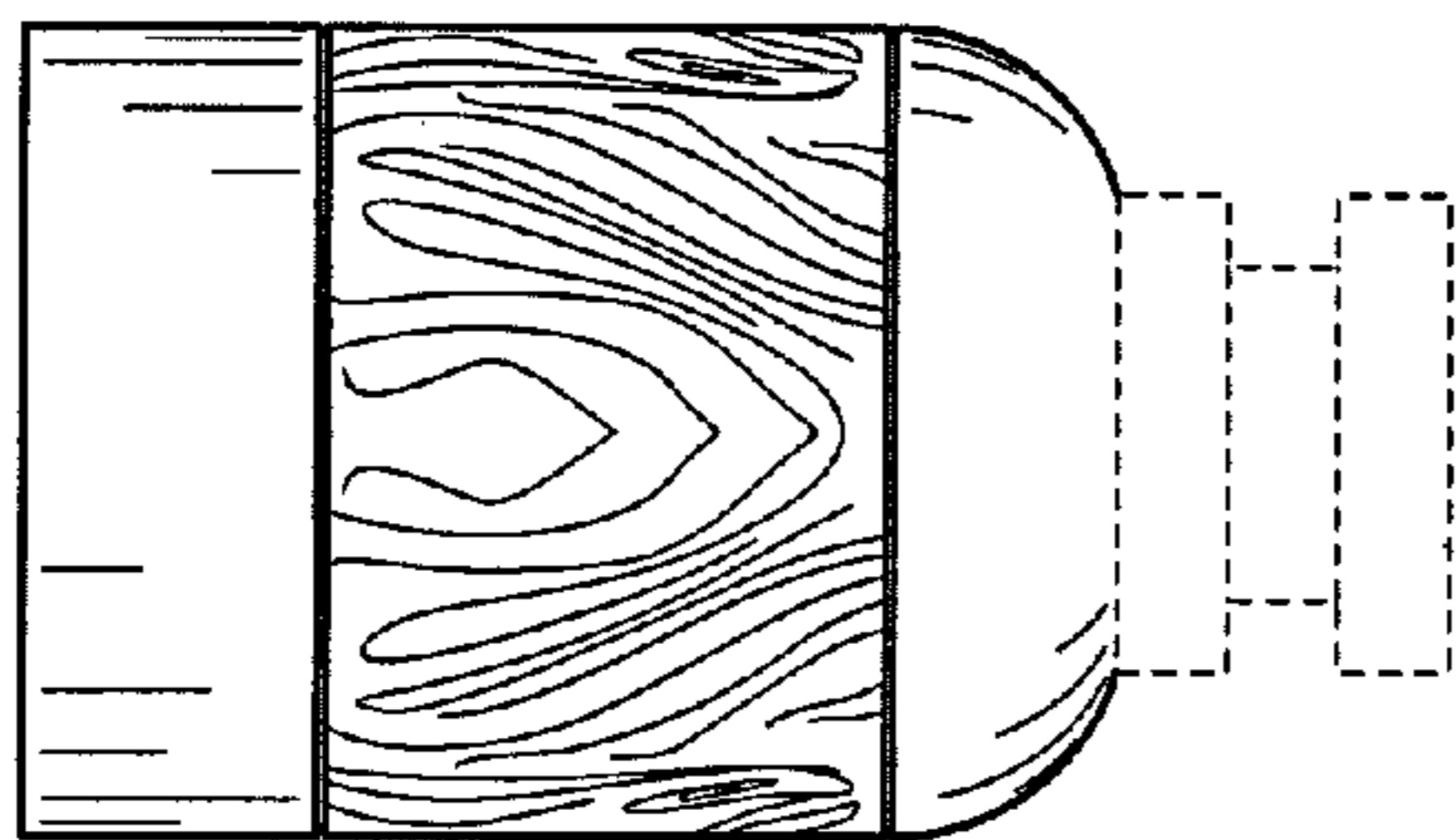


FIG. 6

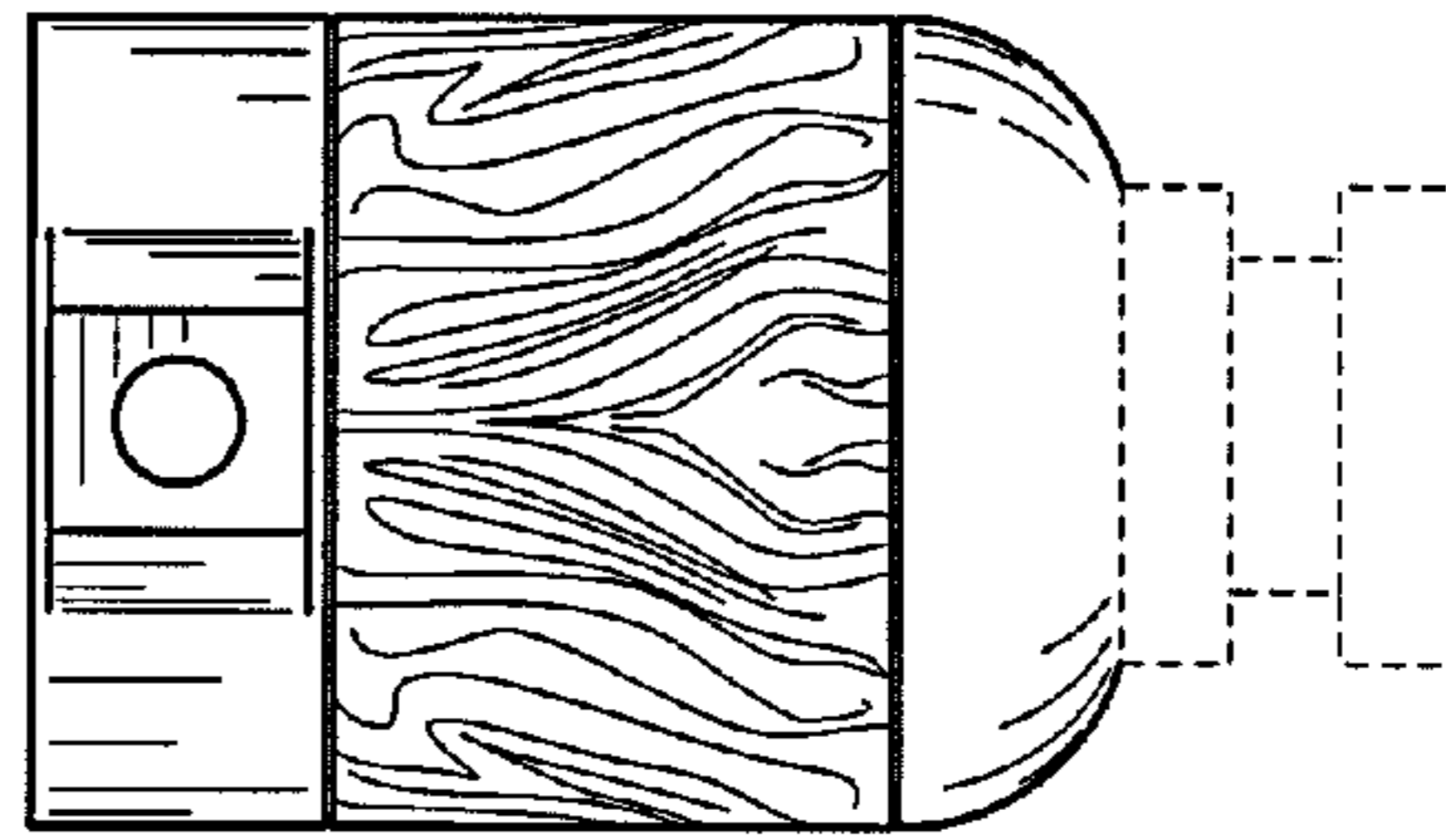


FIG. 7