



US00D707204S

(12) **United States Design Patent**
Fujiwara et al.

(10) **Patent No.:** **US D707,204 S**
(45) **Date of Patent:** **** Jun. 17, 2014**

(54) **SPEAKER**
(71) Applicant: **Hosiden Corporation**, Yao (JP)
(72) Inventors: **Satoru Fujiwara**, Yao (JP); **Masaaki Miyamoto**, Yao (JP); **Takeshi Terazono**, Yao (JP)

(73) Assignee: **Hosiden Corporation**, Osaka (JP)

(**) Term: **14 Years**

(21) Appl. No.: **29/449,722**

(22) Filed: **Mar. 15, 2013**

(30) **Foreign Application Priority Data**

Sep. 28, 2012 (JP) 2012-023611

(51) **LOC (10) Cl.** **14-01**

(52) **U.S. Cl.**
USPC **D14/221**; D14/204

(58) **Field of Classification Search**
USPC D14/204, 209.1, 210–216, 221, 203.1, D14/203.8, 496; 181/143, 144, 147, 148, 181/150–153, 157, 198, 199; 381/300–306, 381/332, 333, 336, 345, 361–364
See application file for complete search history.

(56) **References Cited**

U.S. PATENT DOCUMENTS

7,251,484 B2 * 7/2007 Aslanian 455/426.1

D572,702 S * 7/2008 Bart D14/171
D600,251 S * 9/2009 Poandl D14/496
7,626,630 B2 * 12/2009 Nishino et al. 348/333.06
D611,500 S * 3/2010 Byle et al. D14/496
D648,314 S * 11/2011 Pail D14/203.7
D653,651 S * 2/2012 Ragde et al. D14/214
D676,412 S * 2/2013 Holzer D14/171

* cited by examiner

Primary Examiner — Prabhakar Deshmukh

(74) *Attorney, Agent, or Firm* — Rankin, Hill & Clark LLP

(57) **CLAIM**

The ornamental design for a speaker, as shown and described.

DESCRIPTION

FIG. 1 is a front, right, and top side perspective view of a speaker showing our new design;
FIG. 2 is a rear, left and top perspective view thereof;
FIG. 3 is a front elevation thereof;
FIG. 4 is a rear elevation thereof;
FIG. 5 is a left side elevation thereof;
FIG. 6 is a right side elevation thereof; and,
FIG. 7 is a top plan view thereof, the bottom plan being a mirror image thereof.

1 Claim, 3 Drawing Sheets

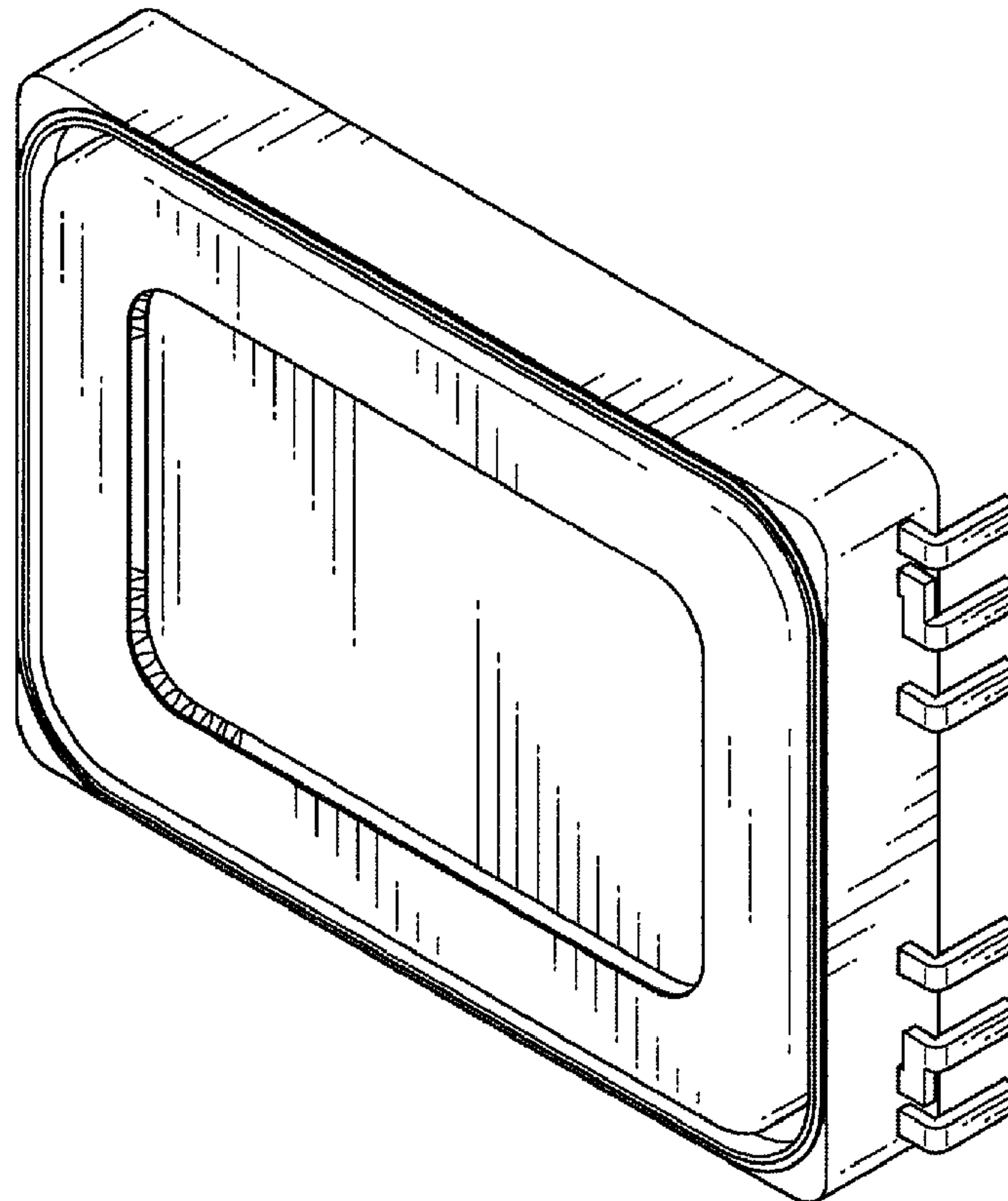


Fig. 1

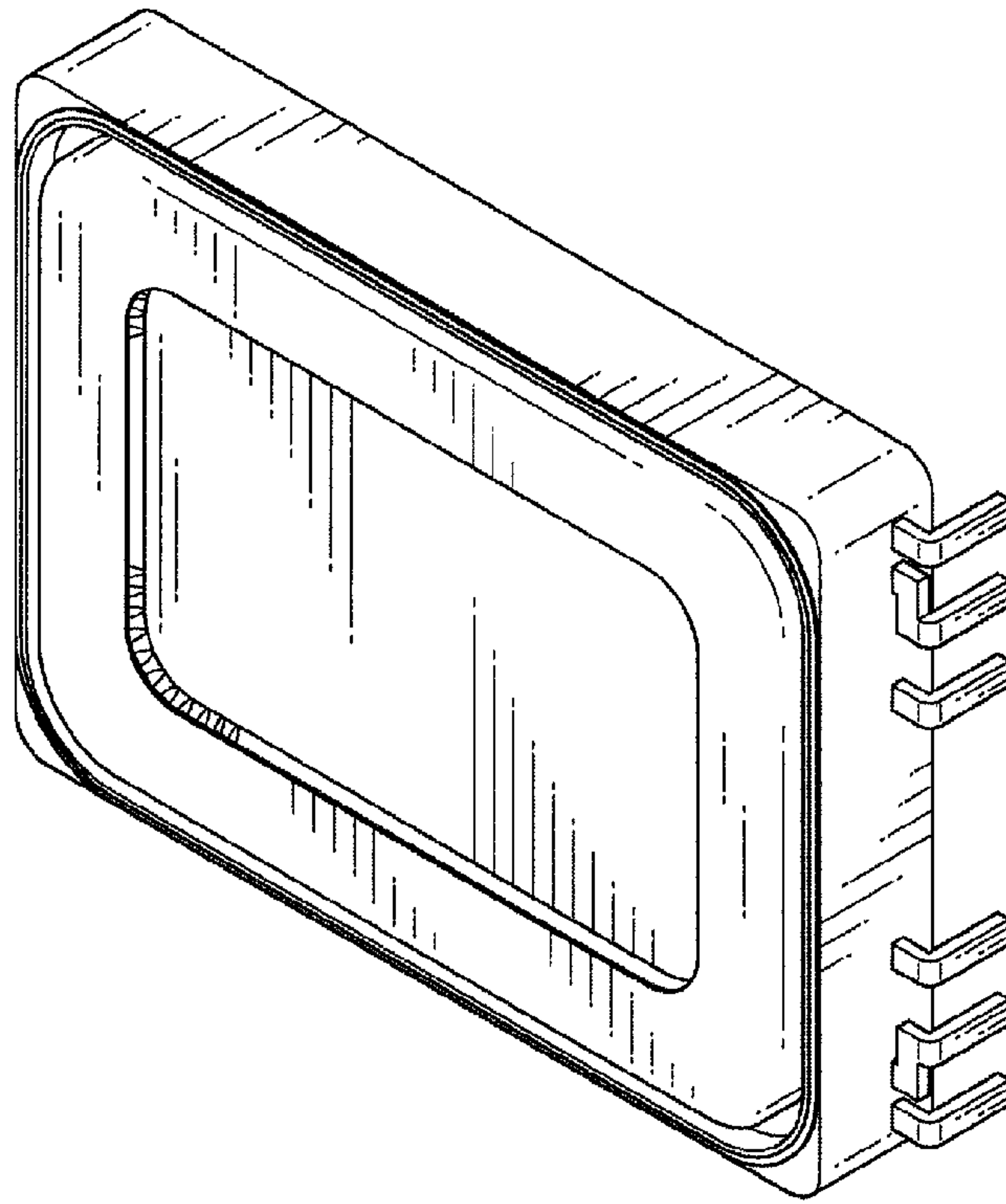


Fig. 2

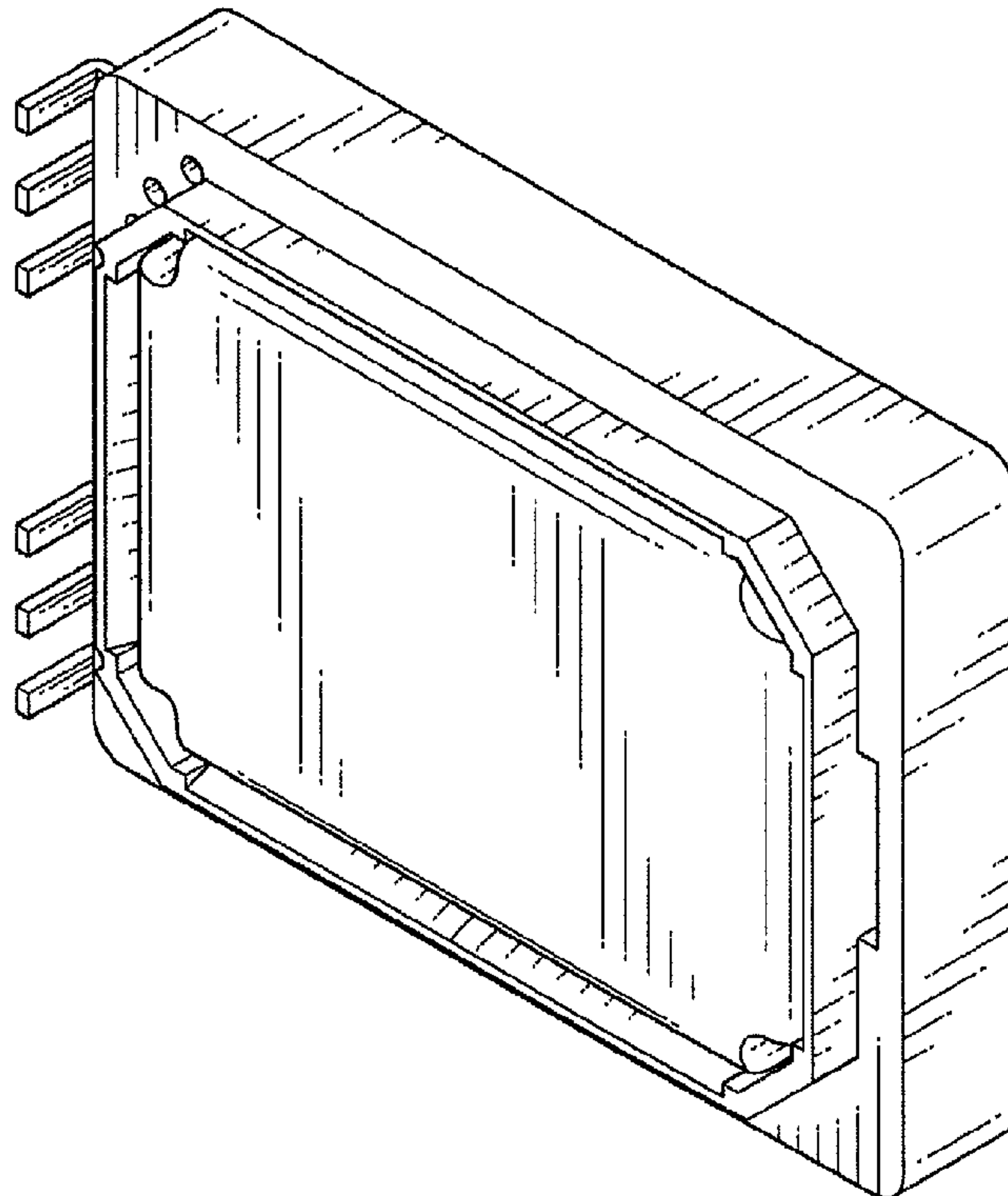


Fig. 3

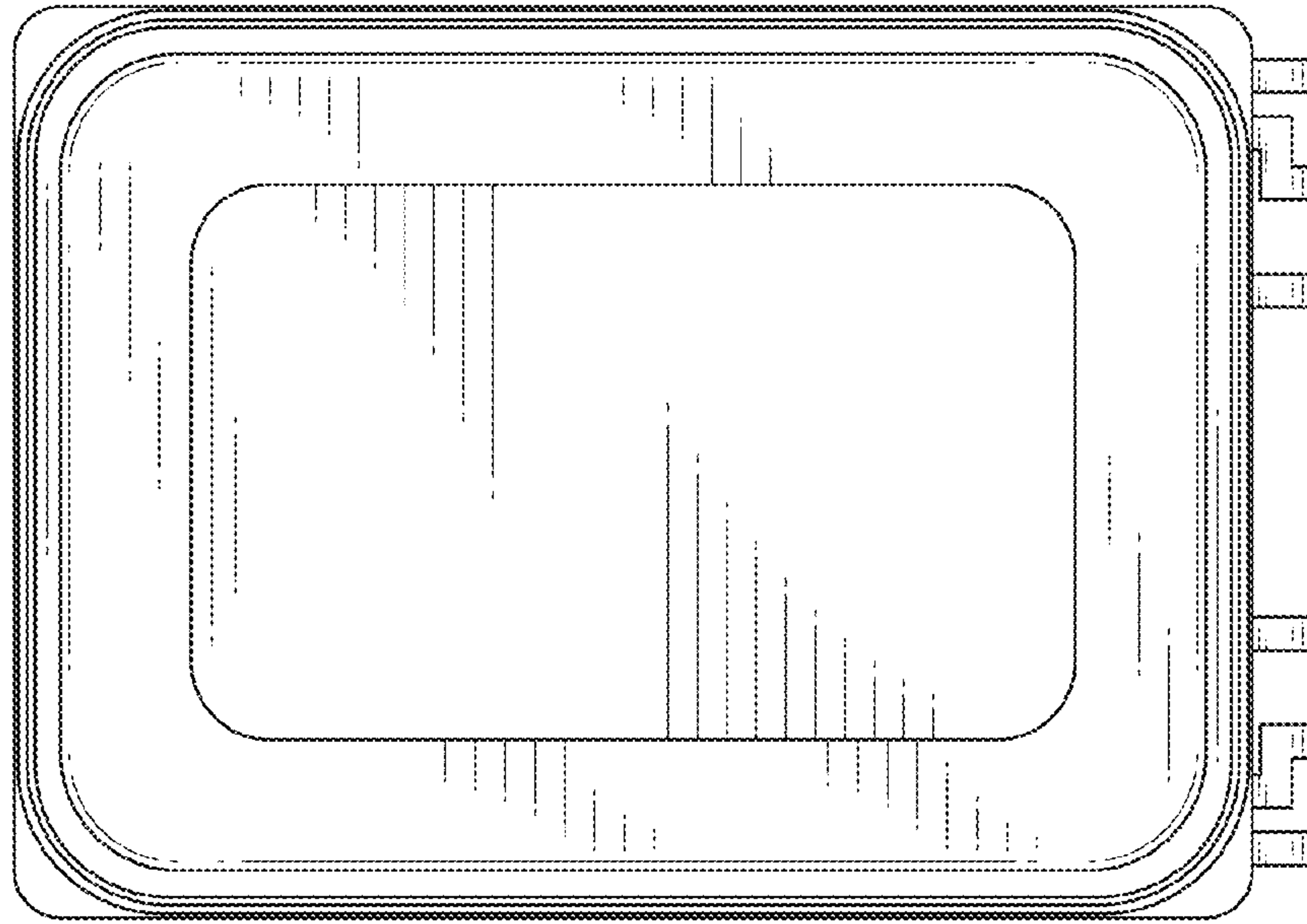


Fig. 4

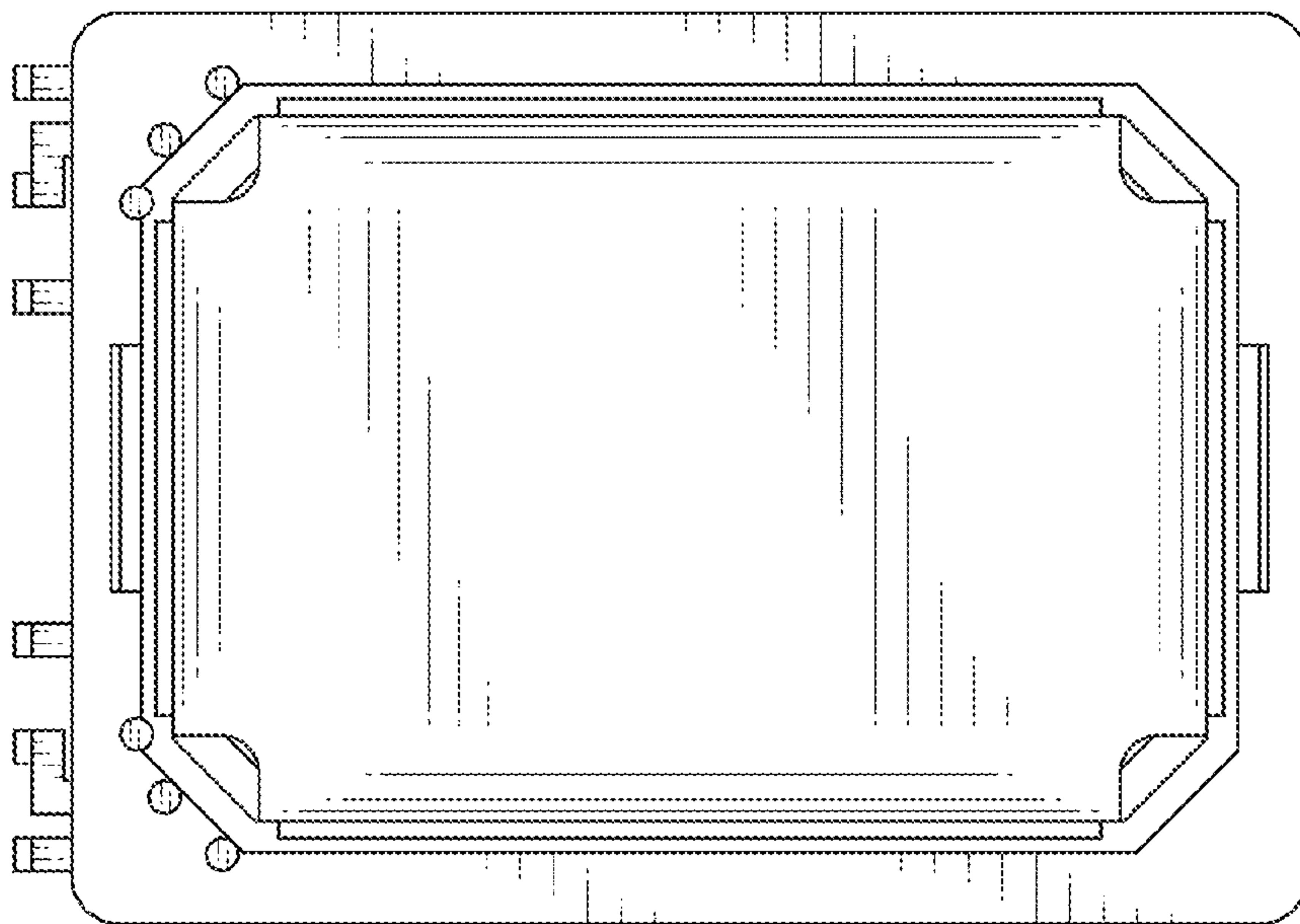


Fig. 5

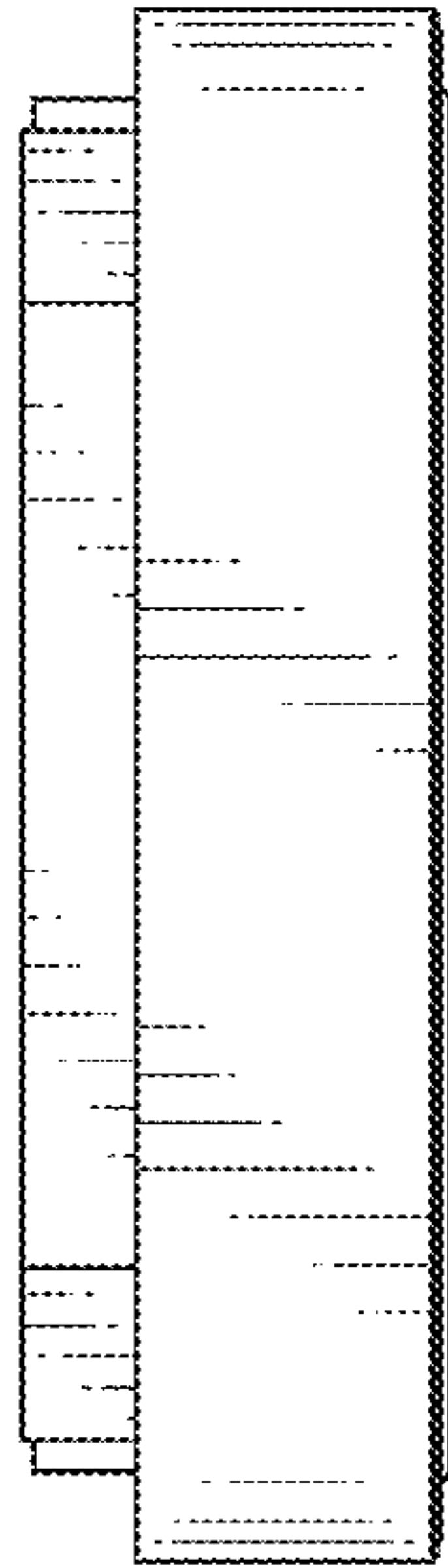


Fig. 6

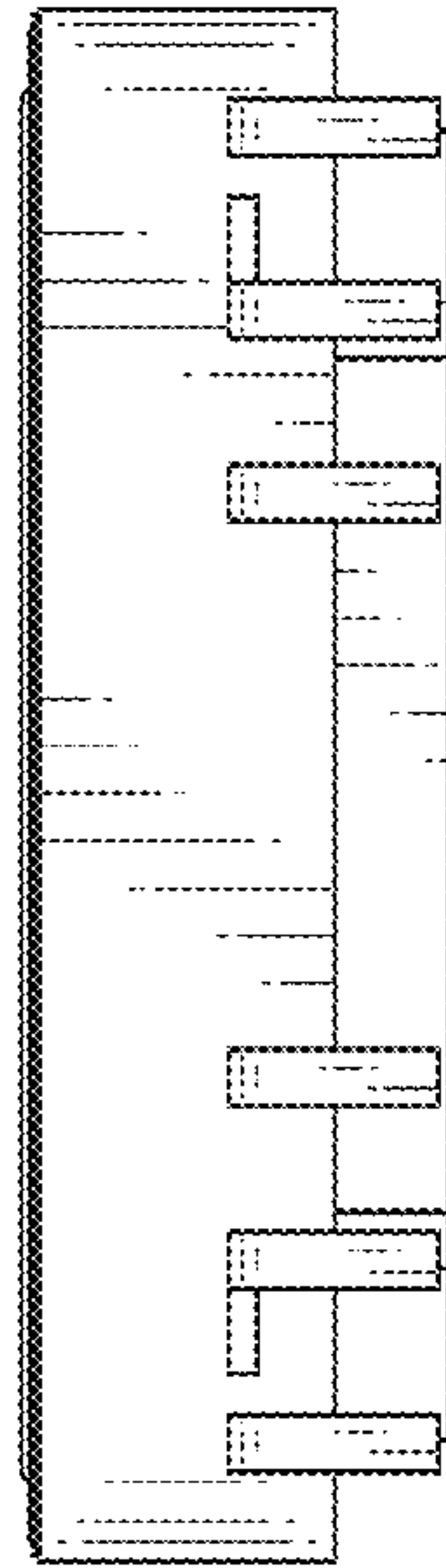


Fig. 7

