



US00D707202S

(12) **United States Design Patent**
McManigal

(10) **Patent No.:** **US D707,202 S**
(45) **Date of Patent:** **** Jun. 17, 2014**

(54) **CURVED SUBWOOFER**

(71) Applicant: **Scott Paul McManigal**, Newport Beach, CA (US)

(72) Inventor: **Scott Paul McManigal**, Newport Beach, CA (US)

(73) Assignee: **Vizio Inc.**, Irvine, CA (US)

(**) Term: **14 Years**

(21) Appl. No.: **29/451,311**

(22) Filed: **Mar. 29, 2013**

(51) **LOC (10) Cl.** **14-03**

(52) **U.S. Cl.**
USPC **D14/214**

(58) **Field of Classification Search**
USPC D14/172, 194, 196, 204, 207, 209.1,
D14/210–217, 219–222, 224; 181/143, 144,
181/147, 148, 150, 153, 157, 198, 199;
381/300–303, 306, 332, 333, 336, 345,
381/361–364, 386–388

See application file for complete search history.

(56) **References Cited**

U.S. PATENT DOCUMENTS

D324,686	S	*	3/1992	Strohbeen	D14/214
D637,580	S	*	5/2011	Aranda et al.	D14/214
D646,665	S	*	10/2011	Iijima	D14/214
D660,286	S	*	5/2012	Lee et al.	D14/214
D676,827	S	*	2/2013	Desrosiers	D14/204

* cited by examiner

Primary Examiner — Keli L Hill

(74) *Attorney, Agent, or Firm* — Law Office of Scott C. Harris, Inc.

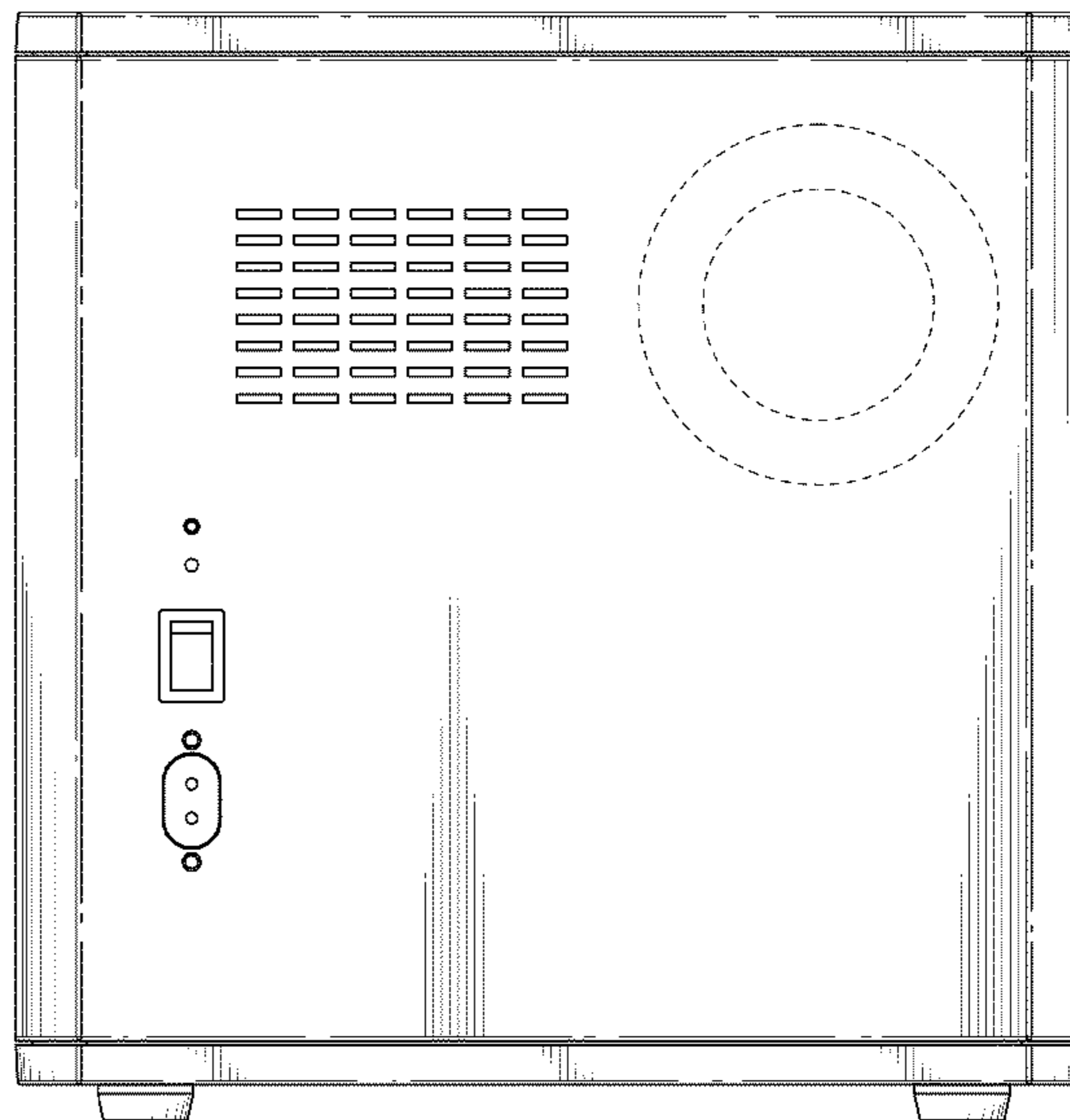
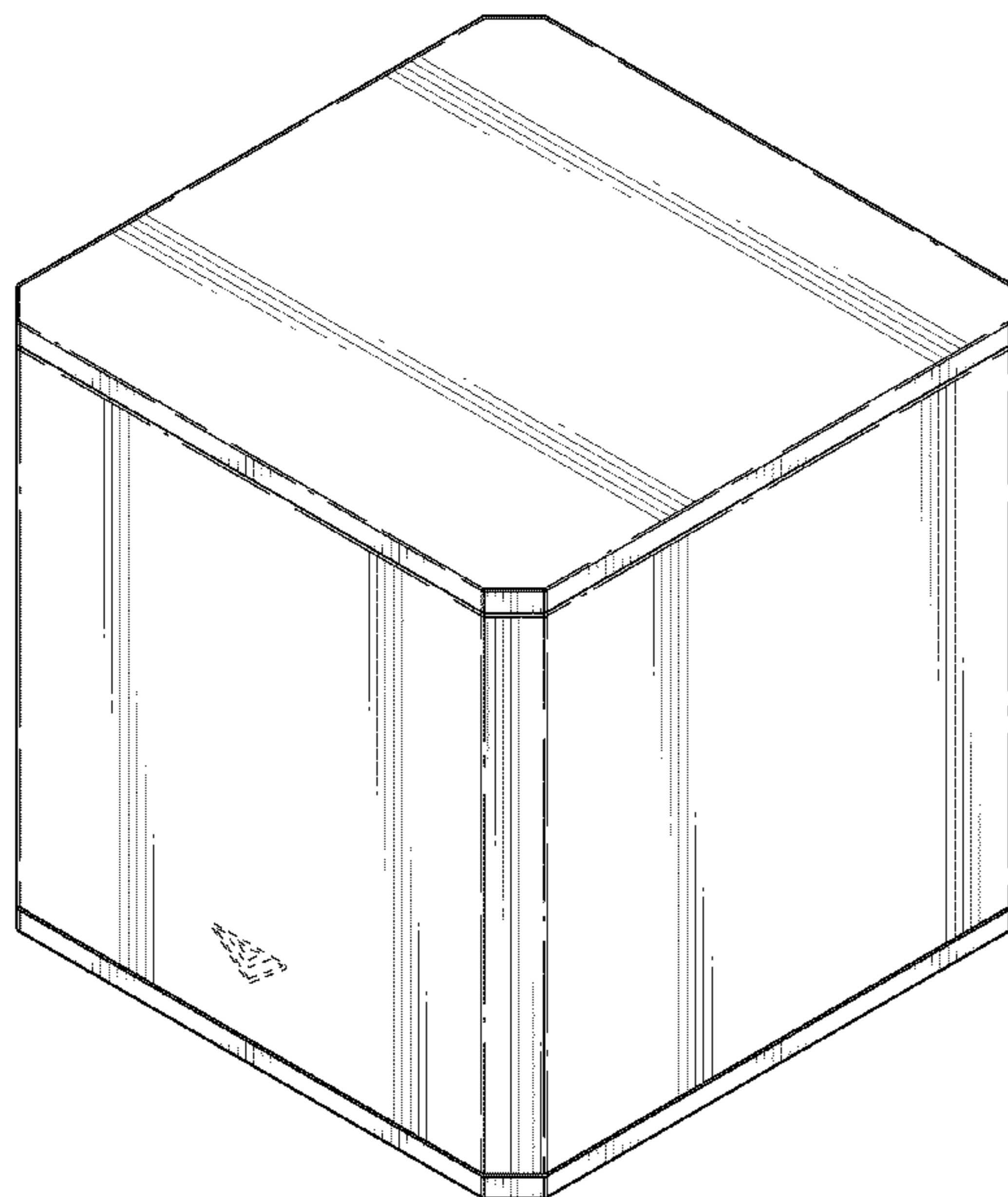
(57) **CLAIM**

I claim the ornamental design for a curved subwoofer, as shown and described.

DESCRIPTION

FIG. 1 is a front perspective view of the curved subwoofer; FIG. 2 is a front-on view of the curved subwoofer; FIG. 3 shows a rear view of the curved subwoofer; FIG. 4 shows a first side-on view of the curved subwoofer; FIG. 5 shows a second side-on view of the curved subwoofer; FIG. 6 shows a top view of the curved subwoofer; and, FIG. 7 shows a bottom view of the curved subwoofer. The broken lines shown are included for the purpose of illustrating portions of the curved subwoofer that form no part of the claim.

1 Claim, 7 Drawing Sheets



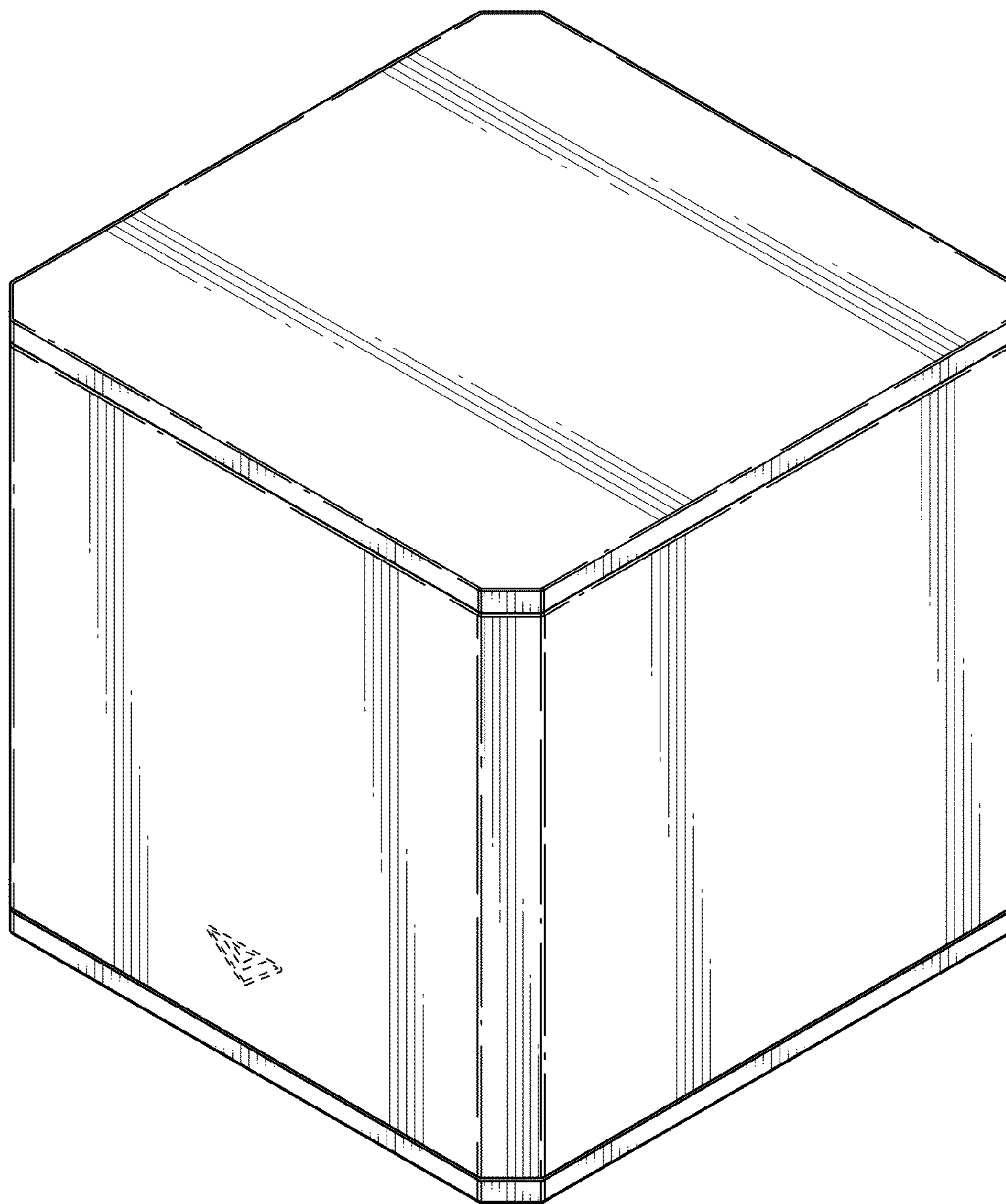


FIG. 1

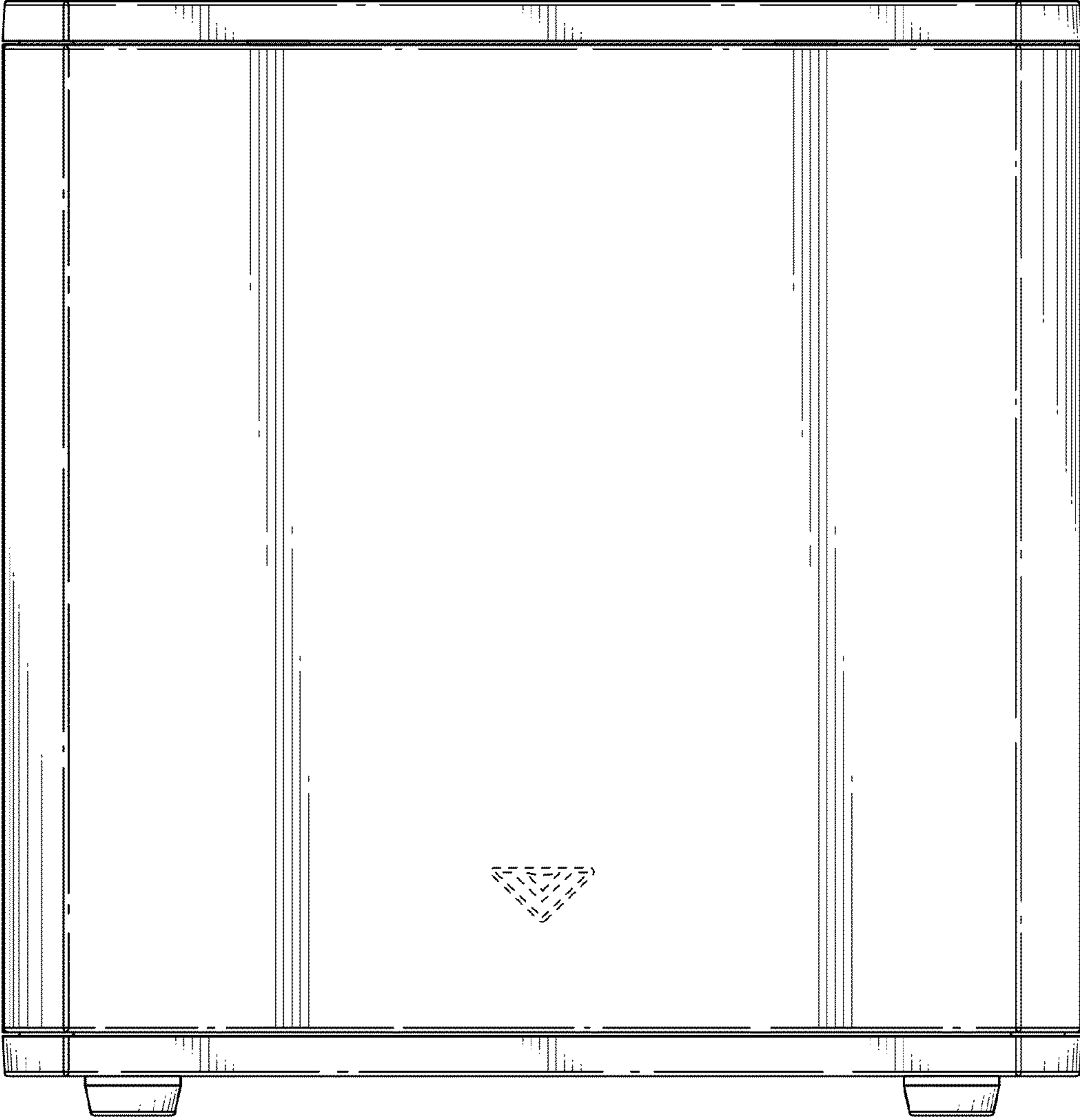


FIG. 2

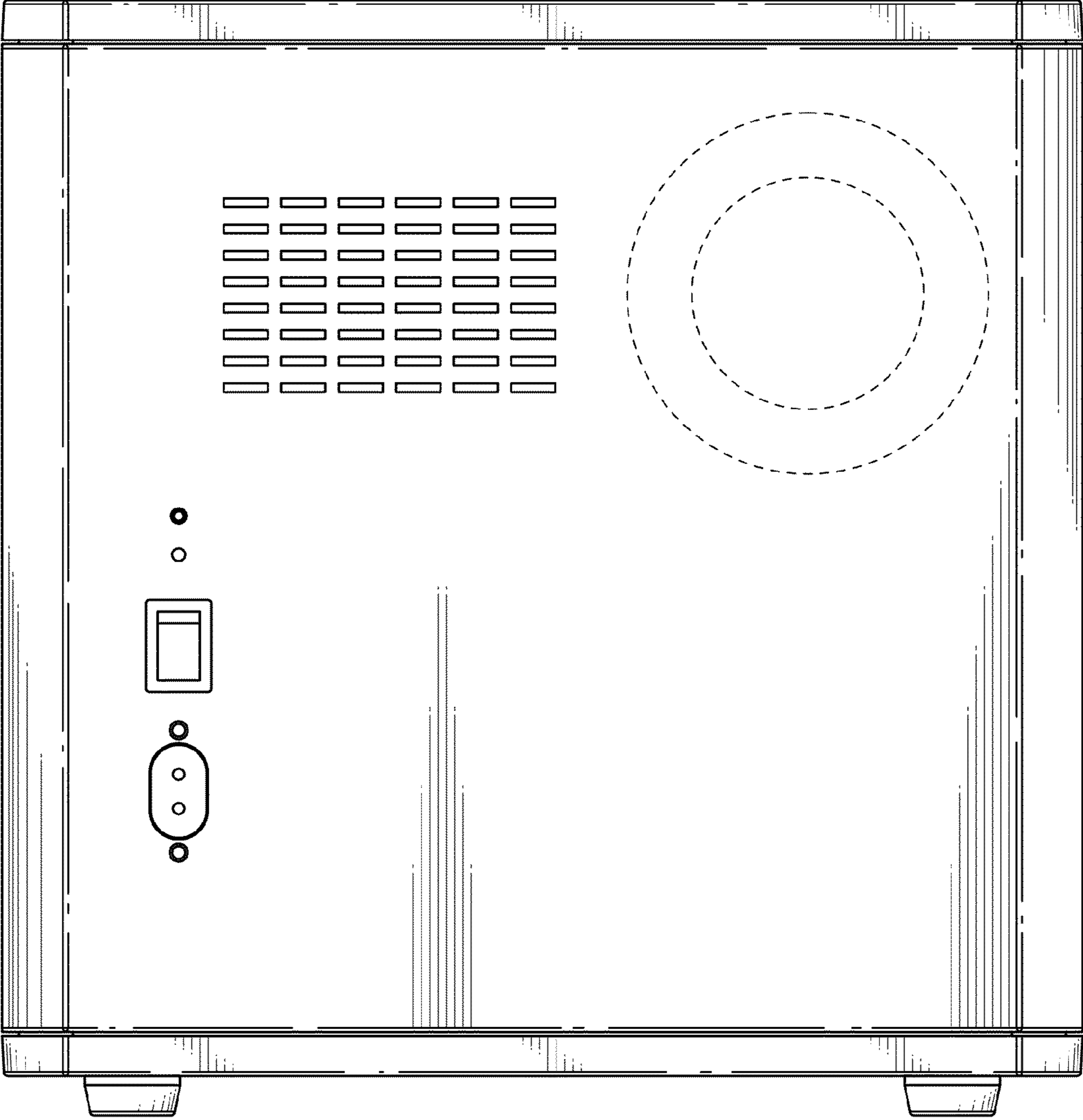


FIG. 3

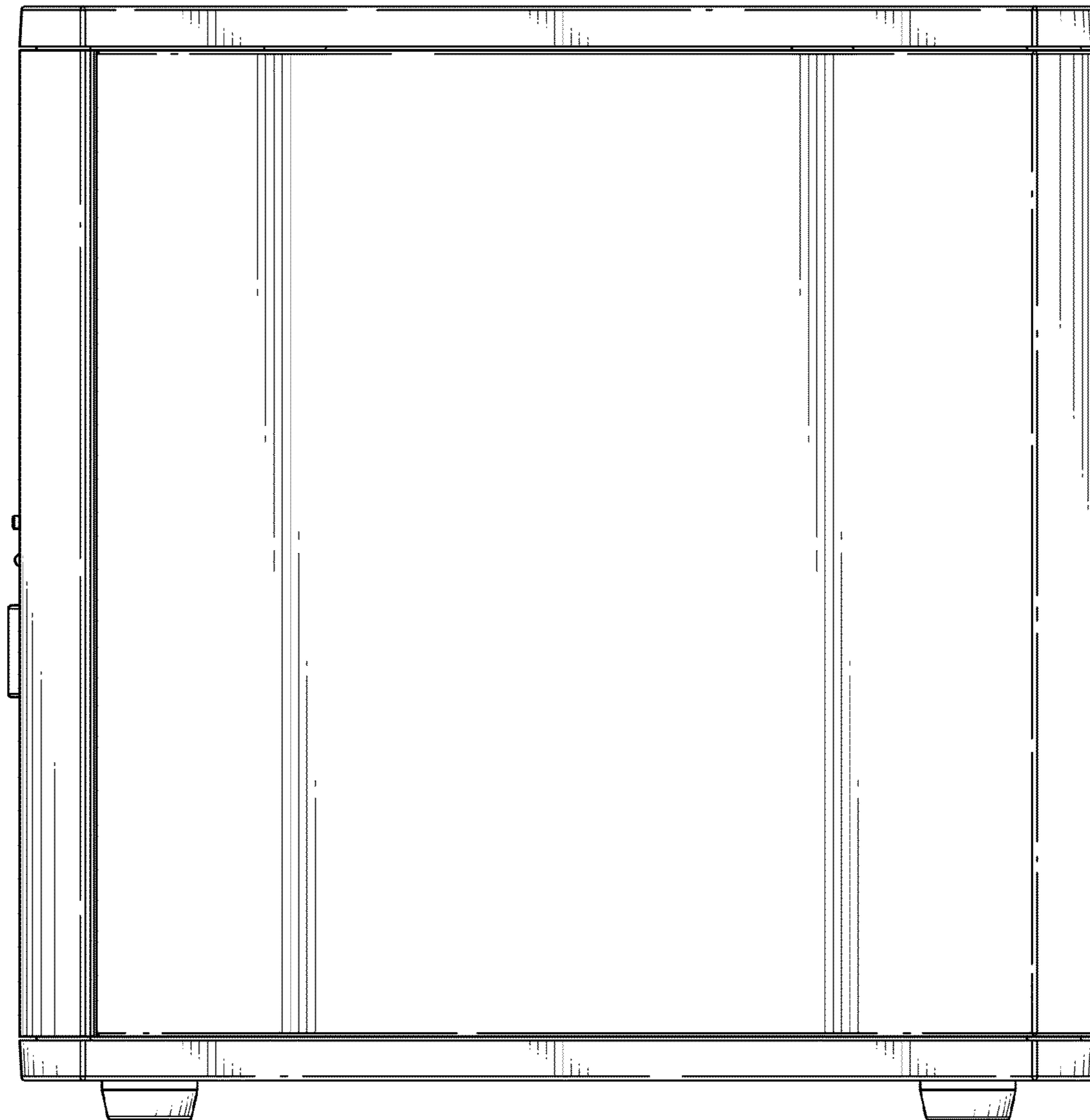


FIG. 4

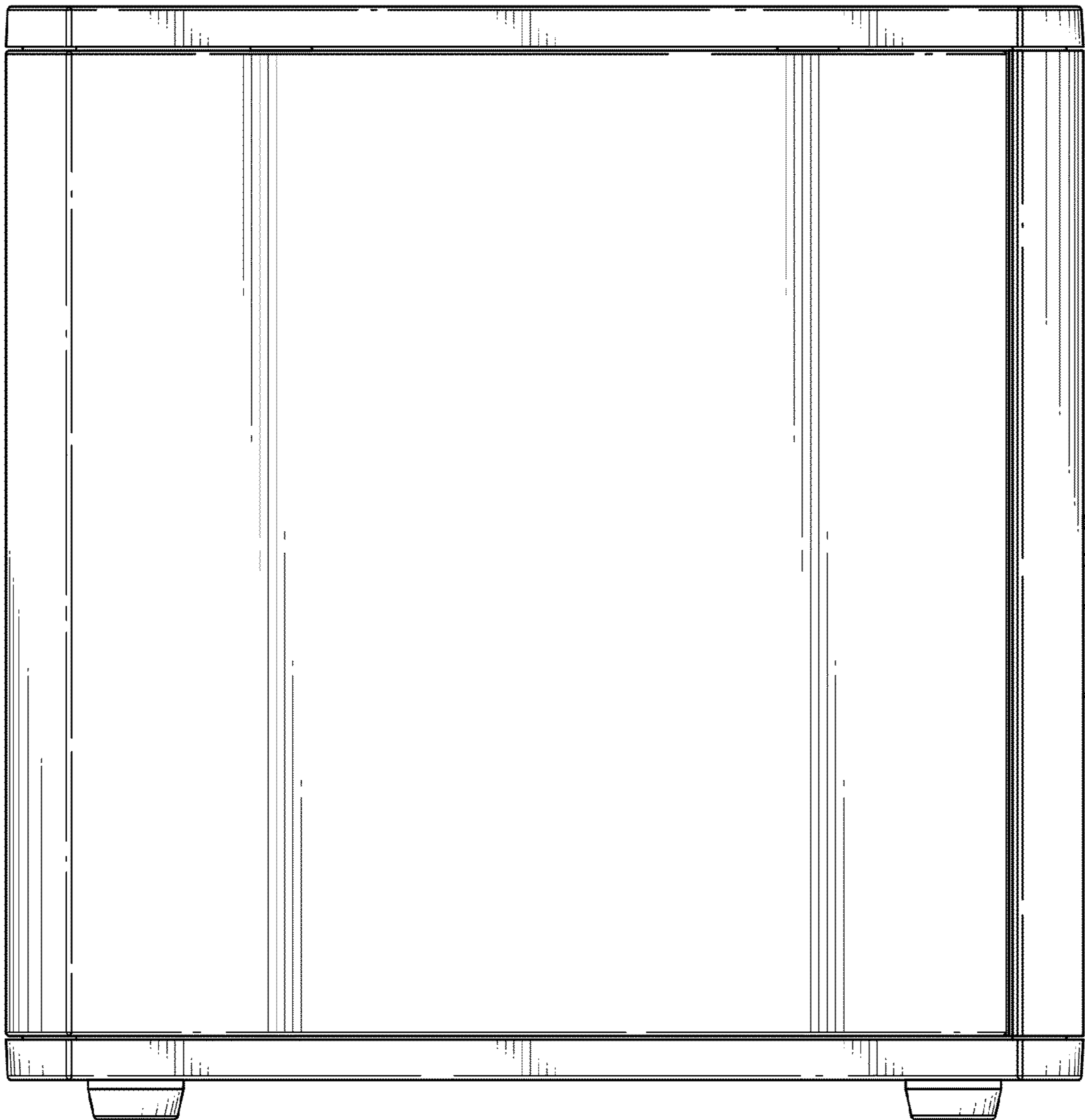


FIG. 5

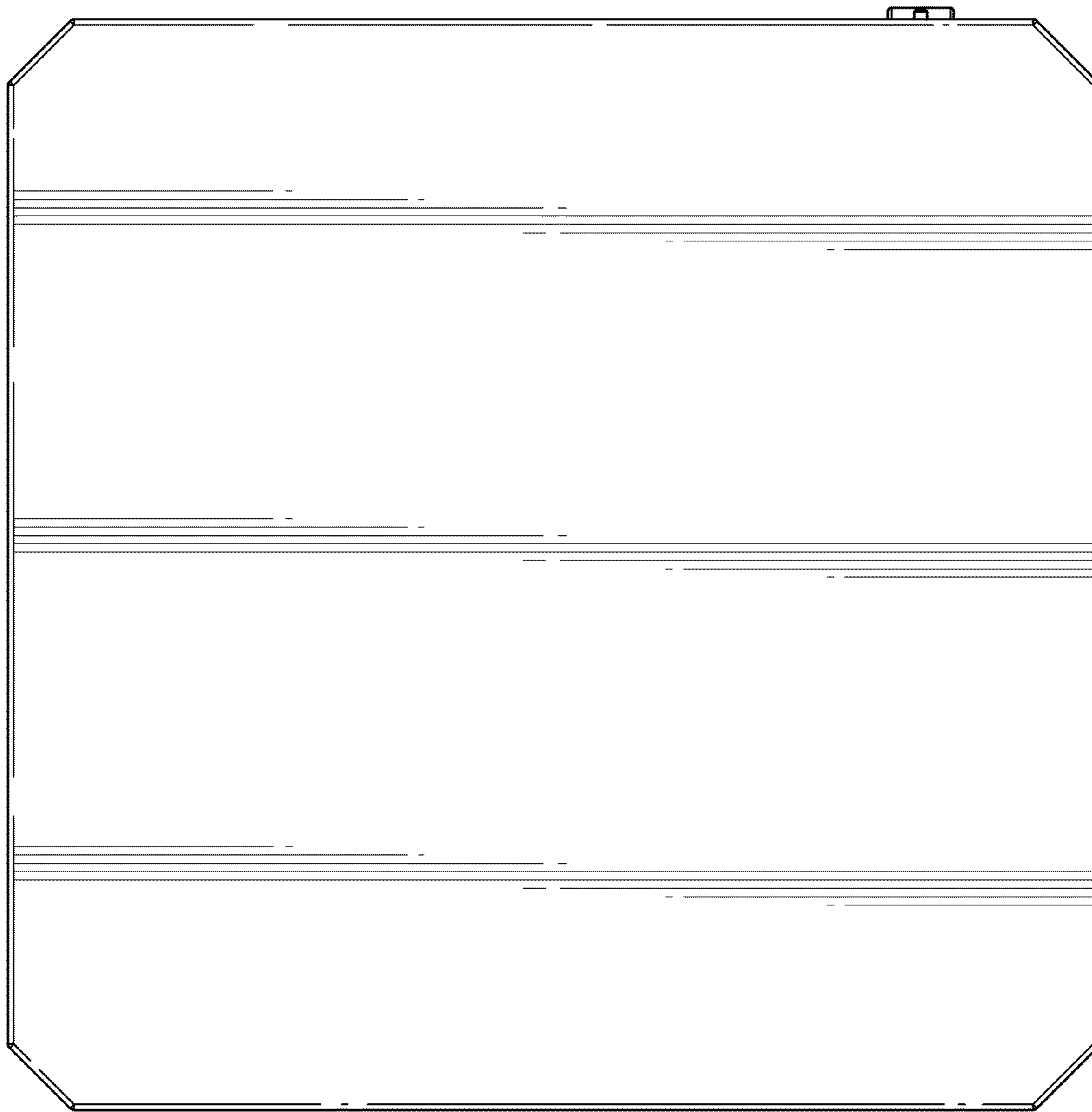


FIG. 6

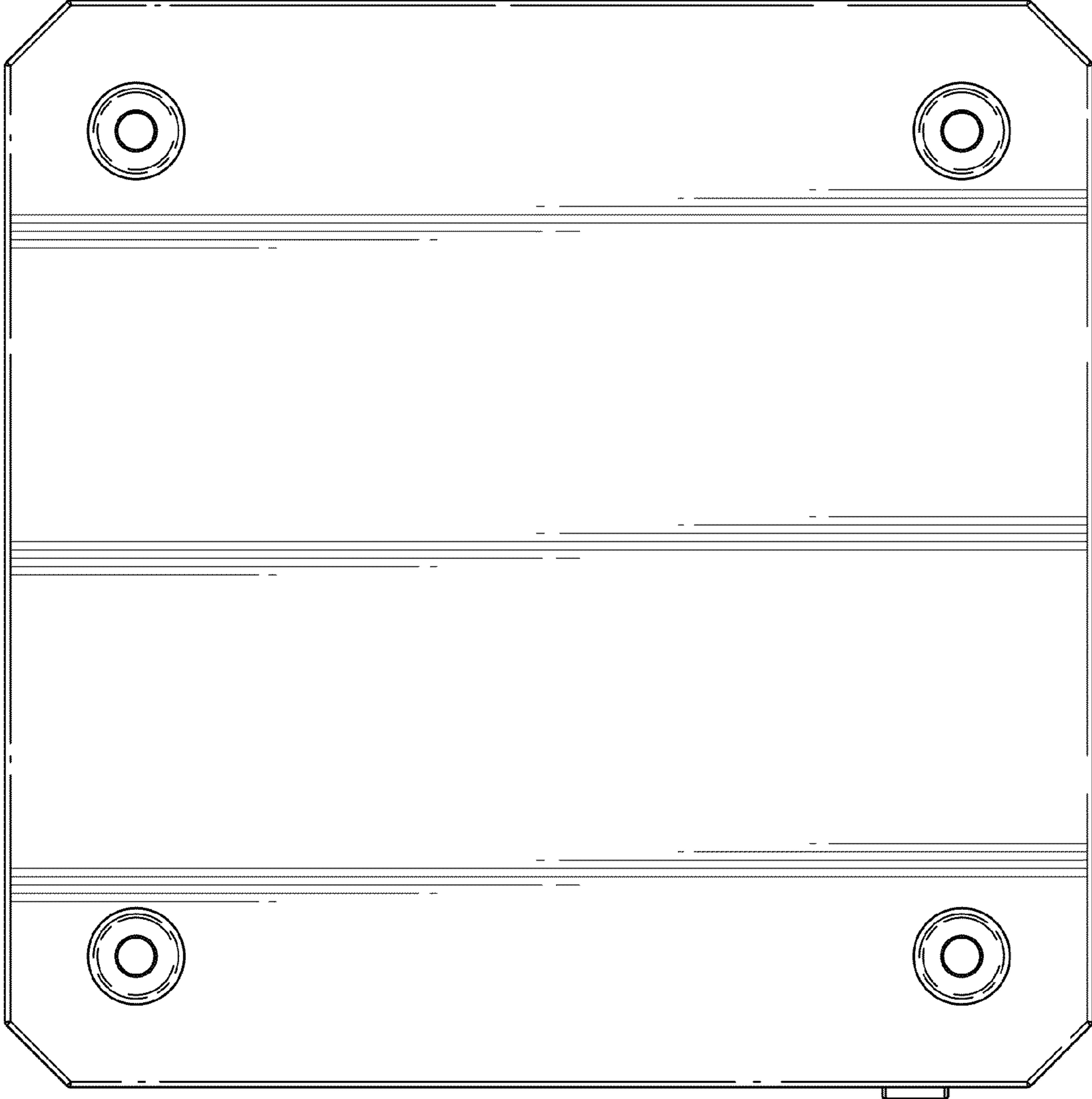


FIG. 7