



US00D707198S

(12) **United States Design Patent**  
**Bouzid et al.**

(10) **Patent No.:** **US D707,198 S**

(45) **Date of Patent:** **\*\* Jun. 17, 2014**

(54) **PERSONAL VOICE COMPANION BADGE**

(71) Applicant: **ZOWi Inc.**, McLean, VA (US)

(72) Inventors: **Ahmed Tewfik Bouzid**, McLean, VA (US); **Weiyi Ma**, McLean, VA (US)

(73) Assignee: **ZOWi Inc.**, McLean, VA (US)

(\*\*) Term: **14 Years**

(21) Appl. No.: **29/465,415**

(22) Filed: **Aug. 28, 2013**

(51) **LOC (10) Cl.** ..... **14-01**

(52) **U.S. Cl.**  
USPC ..... **D14/167**

(58) **Field of Classification Search**  
USPC ..... D14/167, 154, 168, 188, 496, 156, 160,  
D14/161, 162, 163, 164, 165, 158, 203.1,  
D14/341, 346, 342, 345, 225, 226, 228, 227,  
D14/214; 455/351, 350; D19/60, 62;  
D21/330; 369/44.14, 44.32; 700/94  
See application file for complete search history.

(56) **References Cited**

**U.S. PATENT DOCUMENTS**

D378,293 S *	3/1997	Chou	.....	D14/167
D418,134 S *	12/1999	Crump	.....	D14/167
D452,226 S *	12/2001	Simpson et al.	.....	D14/167
D455,140 S *	4/2002	Chuan et al.	.....	D14/167
D463,393 S *	9/2002	Kataoka	.....	D14/167
D569,368 S *	5/2008	Torkelson	.....	D14/167
D579,440 S *	10/2008	Wiley	.....	D14/158
D595,686 S *	7/2009	Mosher	.....	D14/158
D635,120 S *	3/2011	Sakai	.....	D14/167

D643,399 S \* 8/2011 Clemons et al. .... D14/167

\* cited by examiner

*Primary Examiner* — Austin Murphy

(74) *Attorney, Agent, or Firm* — J.A. Lindeman & Co., PLLC

(57) **CLAIM**

The ornamental design for a personalized voice companion badge, as shown and described.

**DESCRIPTION**

FIG. 1 is a front and right side perspective view of the personal voice companion badge in accordance with a first embodiment of our new design;

FIG. 2 is a front view of the personal voice companion badge of FIG. 1;

FIG. 3 is a top view of the personal voice companion badge of FIG. 1;

FIG. 4 is a bottom view of the personal voice companion badge of FIG. 1;

FIG. 5 is a left side view of the personal voice companion badge of FIG. 1;

FIG. 6 is a rear view of the personal voice companion badge of FIG. 1;

FIG. 7 is a right side view of the personal voice companion badge of FIG. 1;

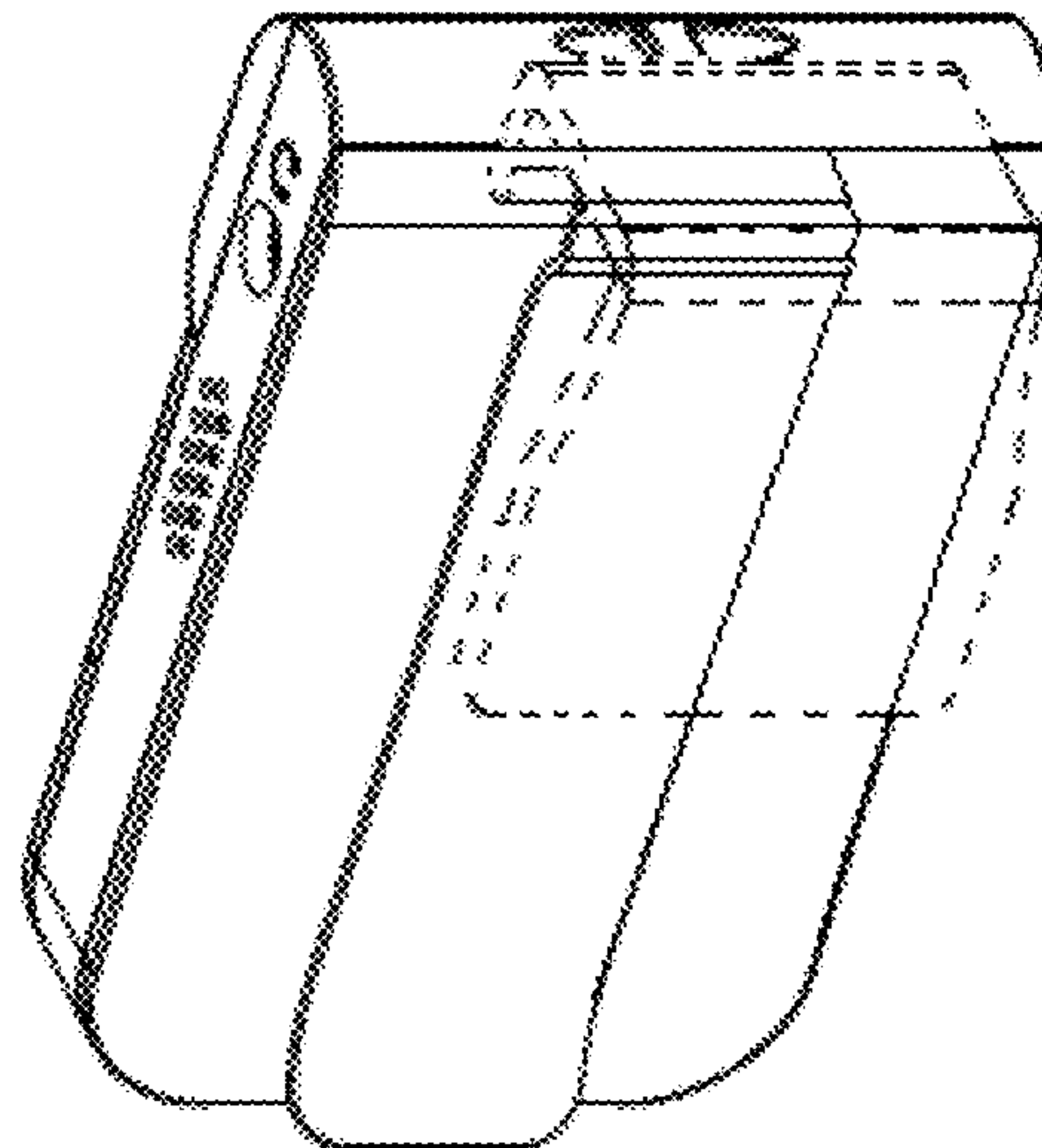
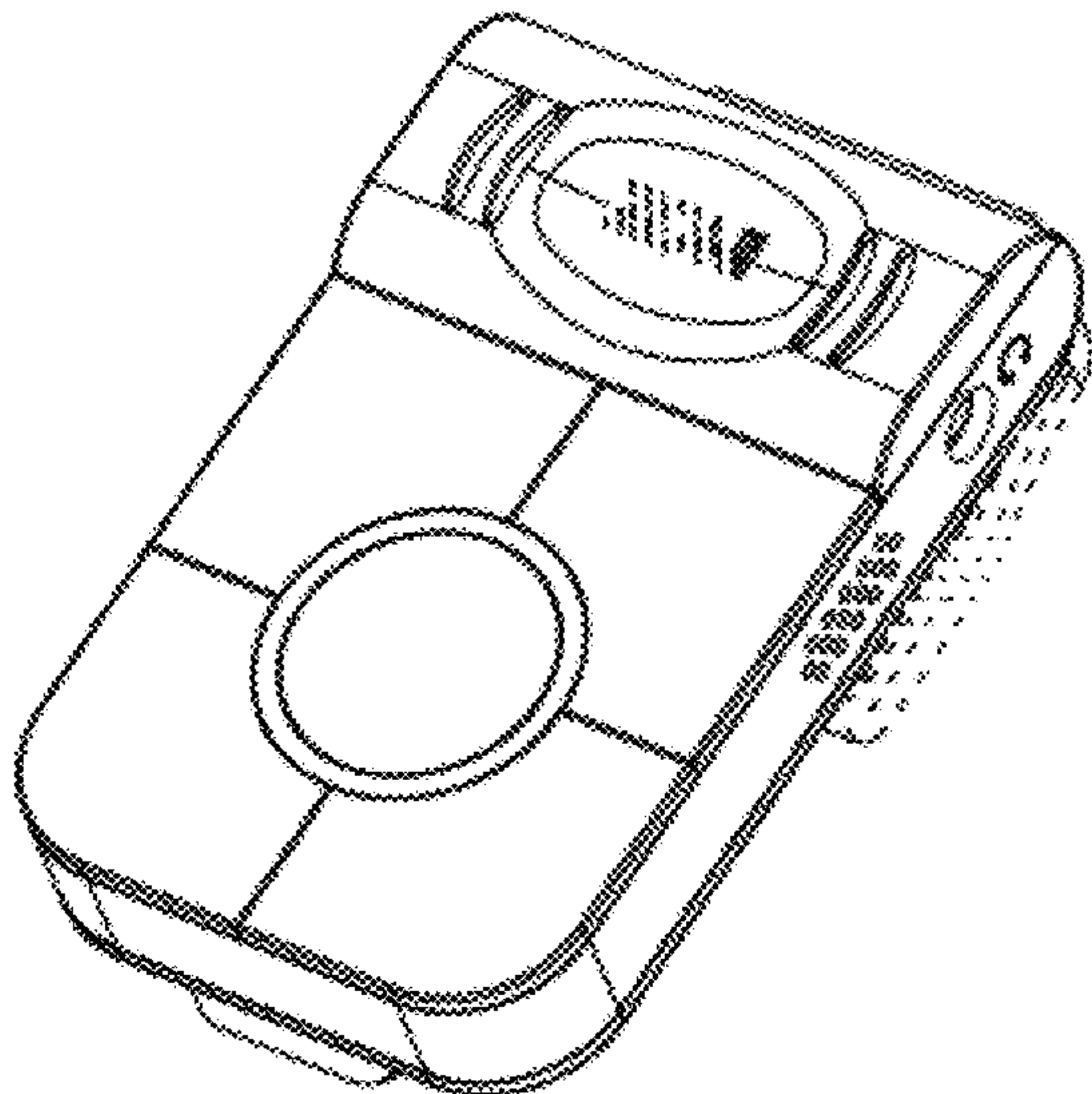
FIG. 8 is a rear and right side perspective view of the personal voice companion badge of FIG. 1; and,

FIG. 9 is a front view of the personal voice companion badge shown with a neck strap.

The clip shown in broken lines in FIGS. 1-8 is for illustrative purposes only and does not form part of our claimed design.

The neck strap shown in broken lines in FIG. 9 is for illustrative purposes only and does not form part of our claimed design.

**1 Claim, 5 Drawing Sheets**



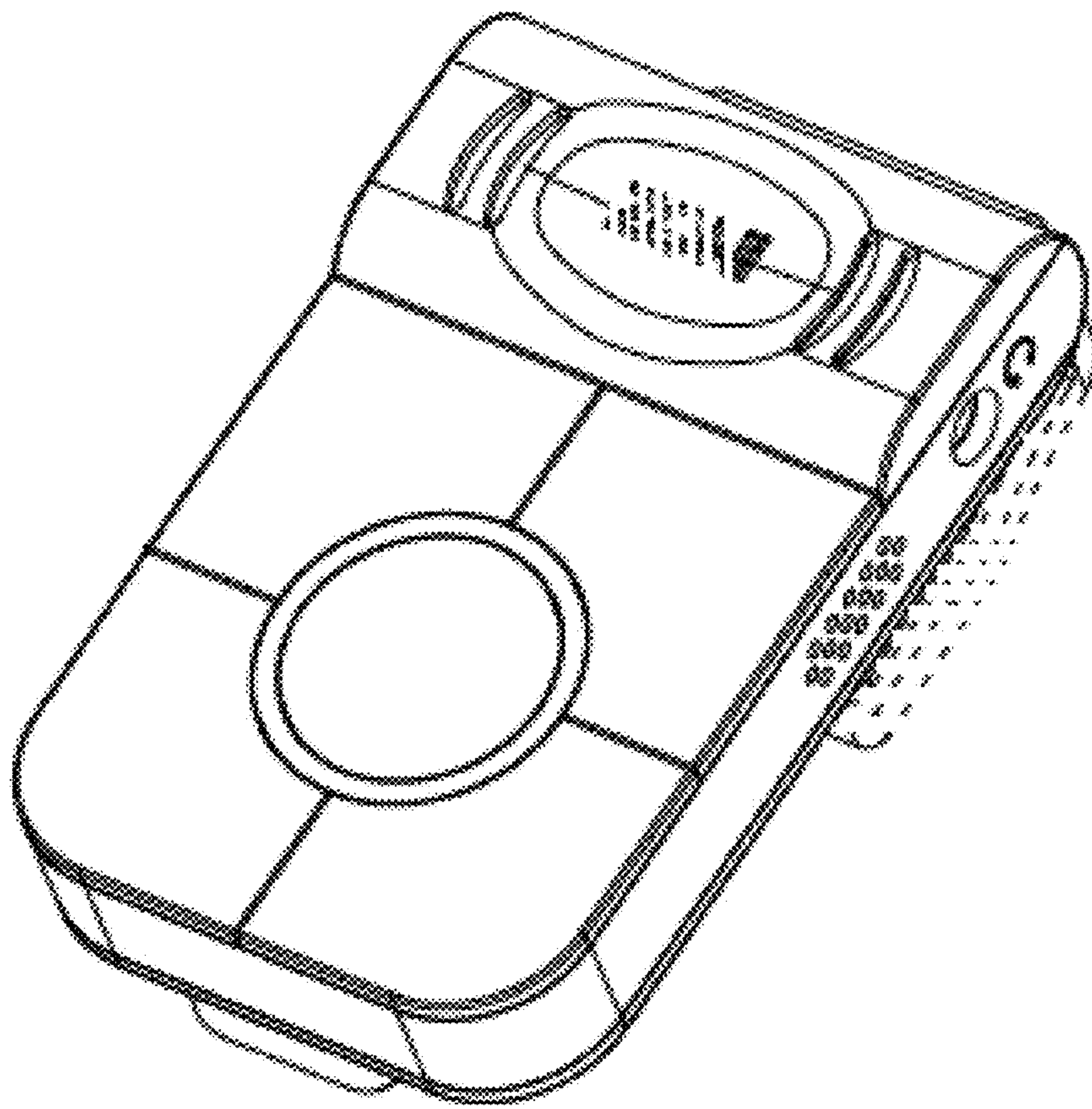


FIG. 1

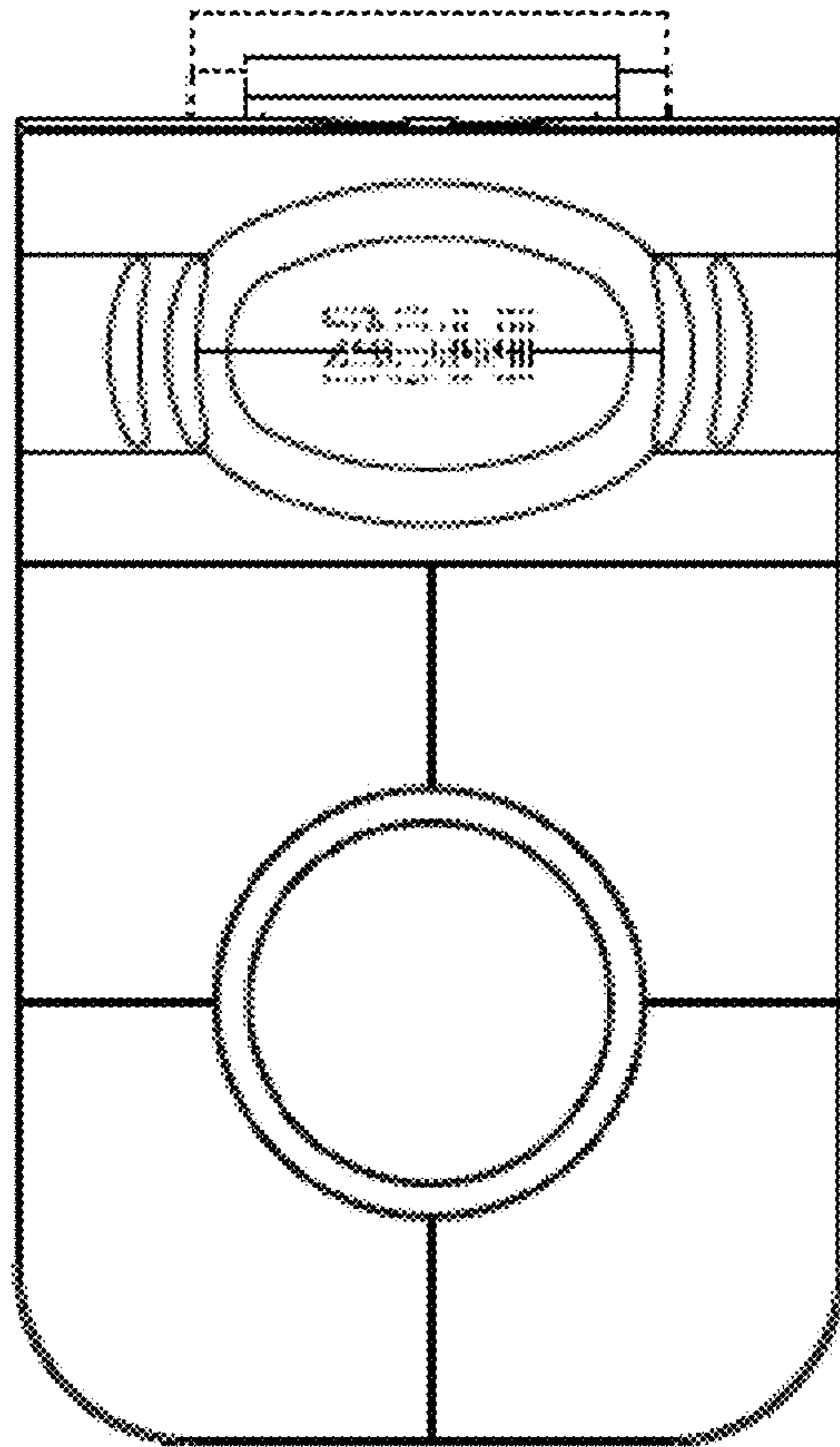


FIG. 2

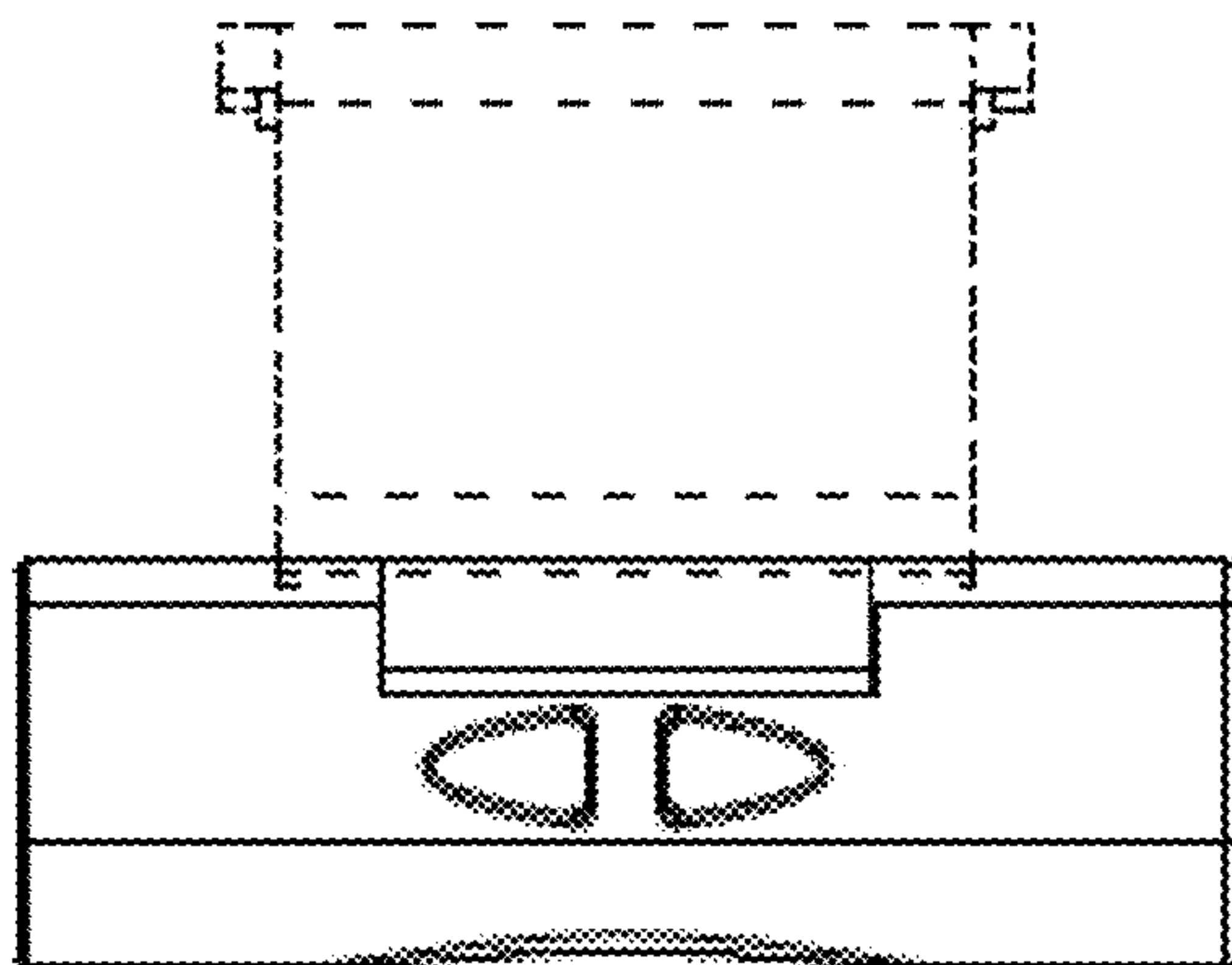


FIG. 3



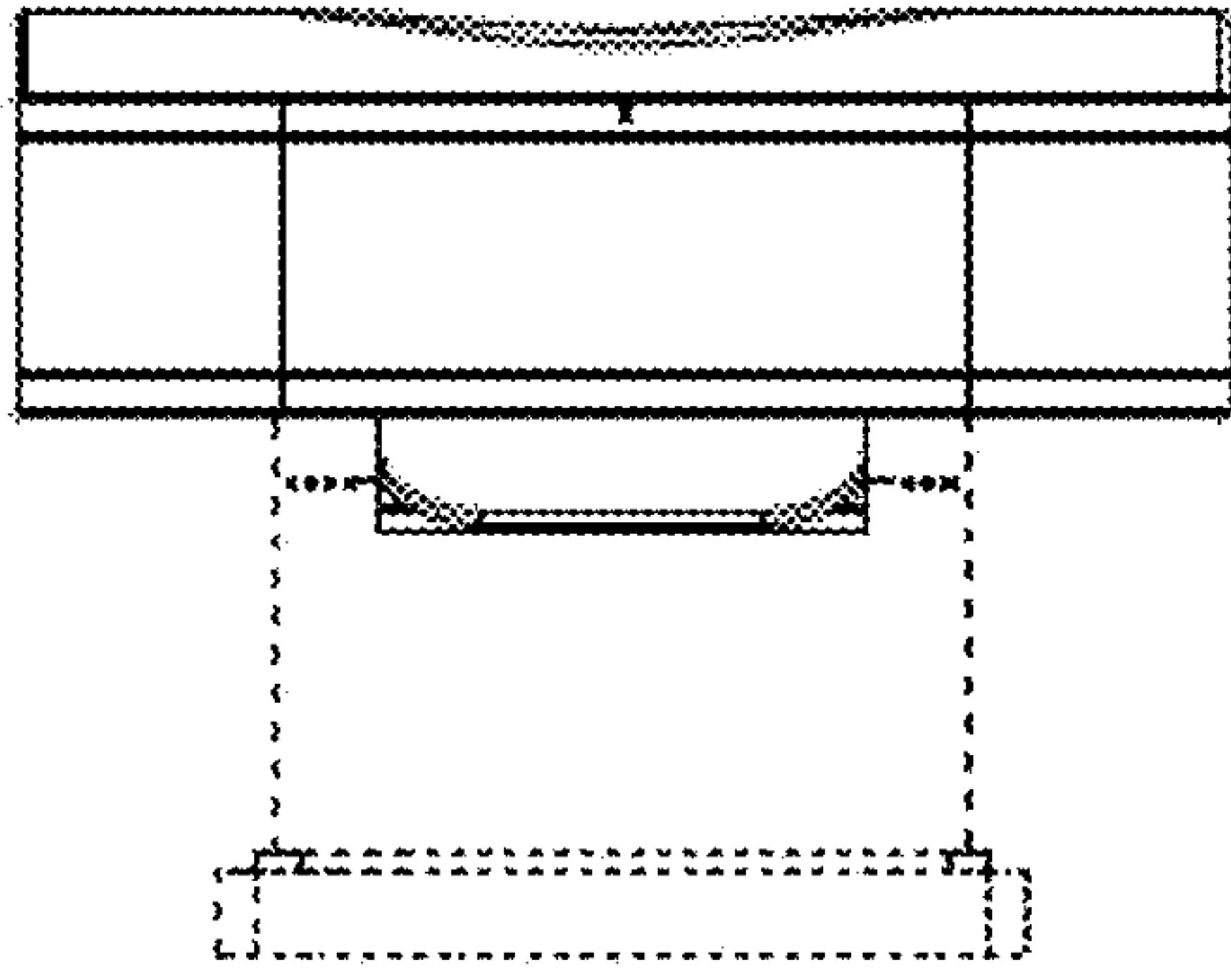


FIG. 4

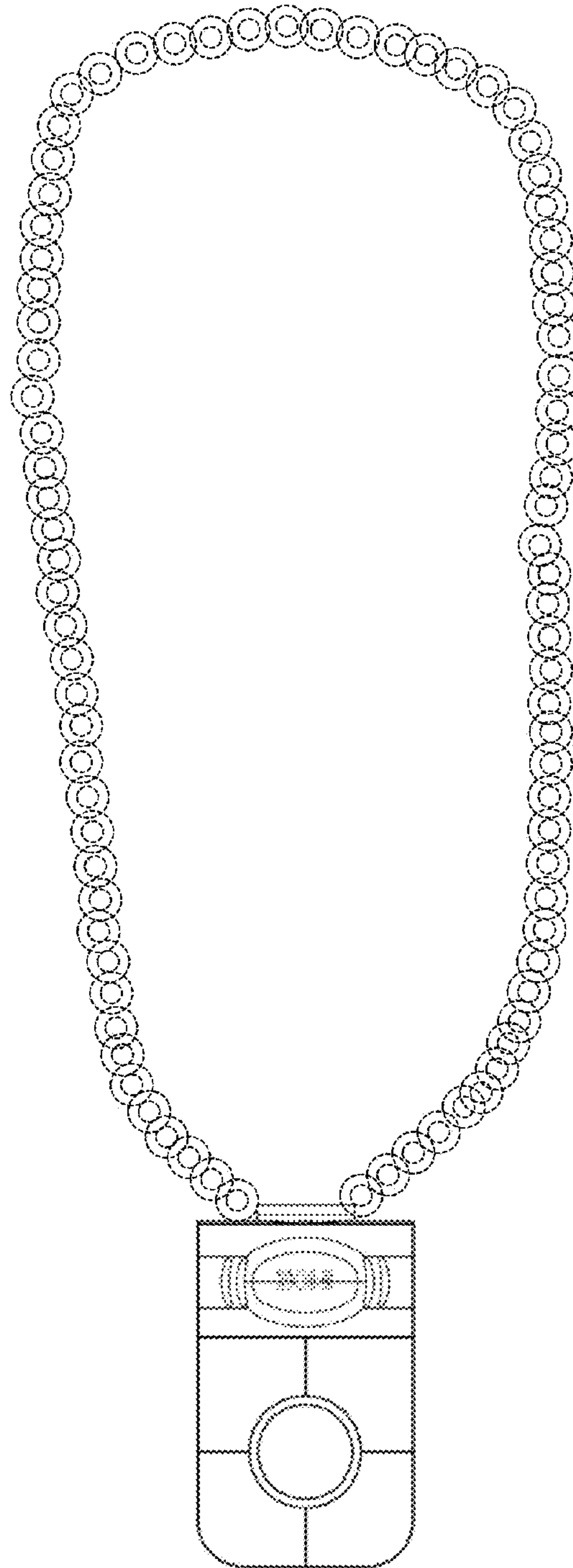


FIG. 9

FIG. 5

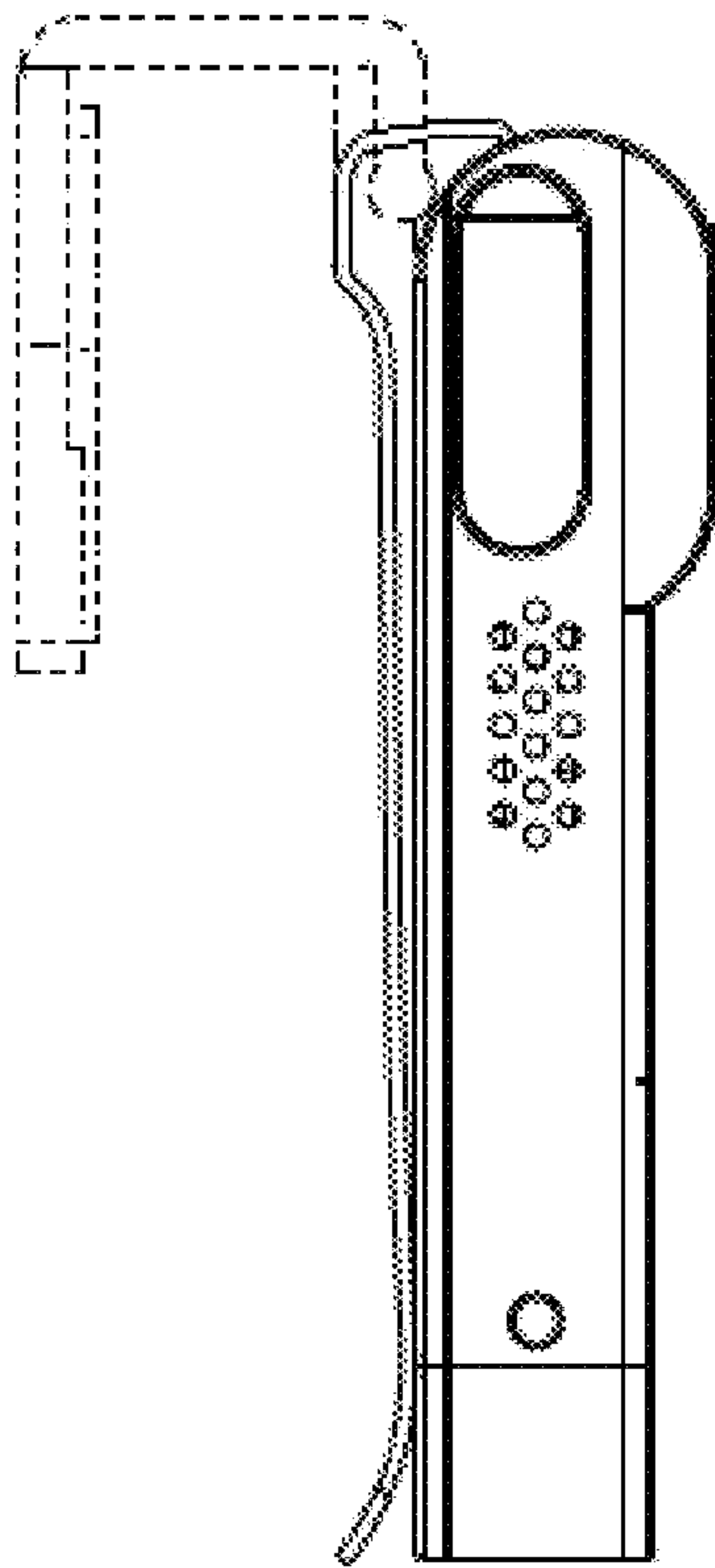


FIG. 6

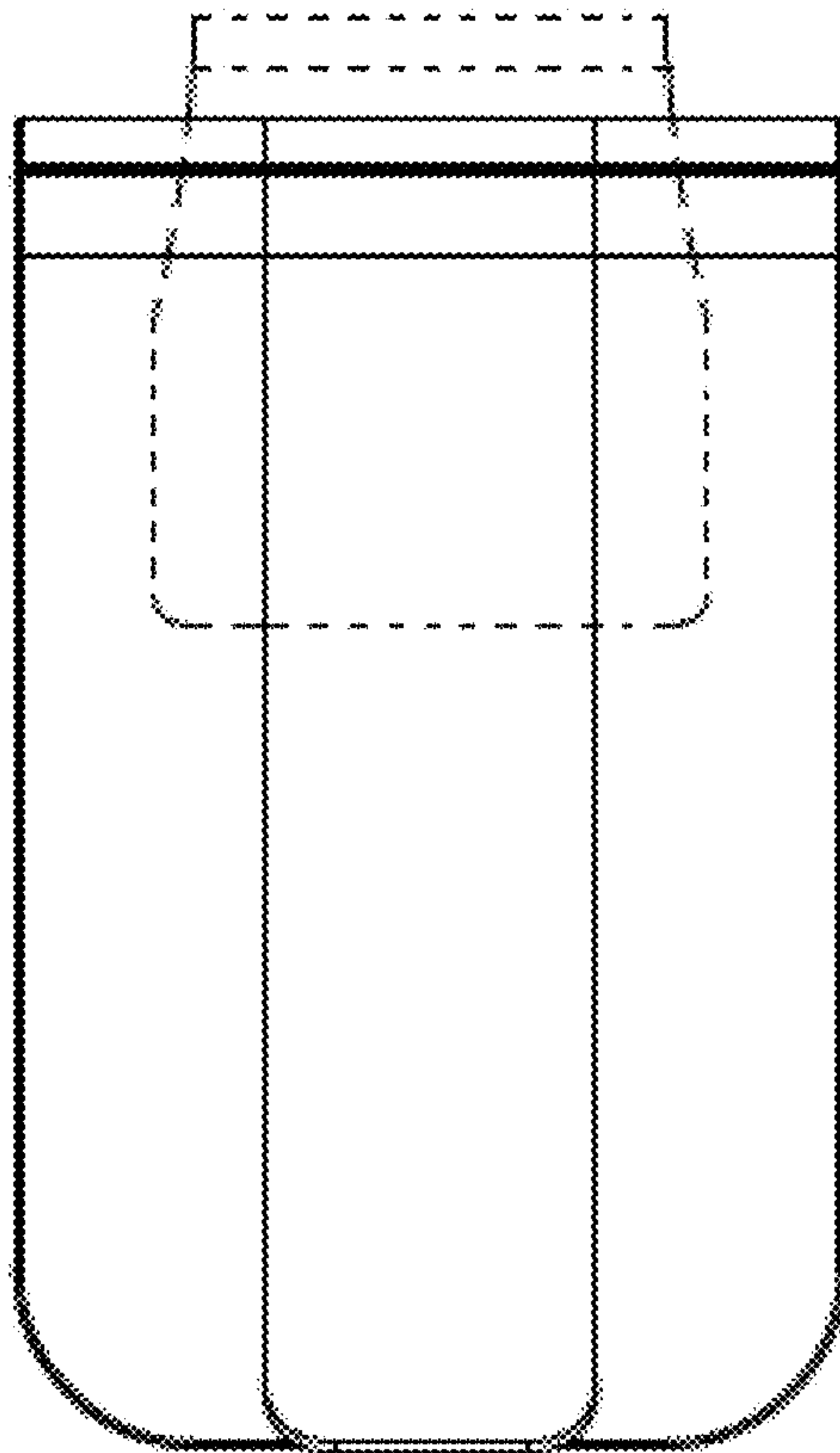


FIG. 7

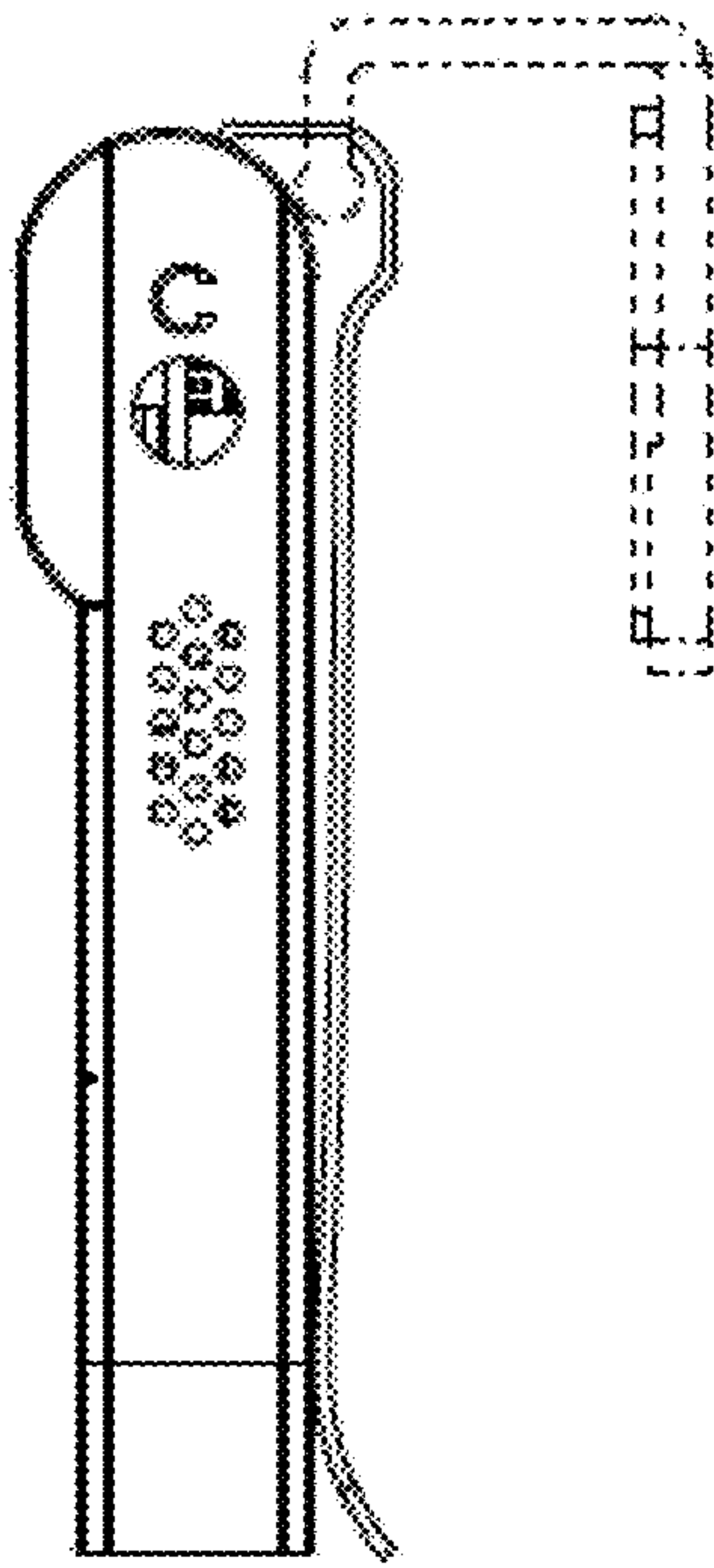


FIG. 8

