



US00D707194S

(12) **United States Design Patent**
Shen et al.

(10) **Patent No.:** **US D707,194 S**
(45) **Date of Patent:** **** Jun. 17, 2014**

(54) **TV**

(71) Applicant: **Samsung Electronics Co., Ltd.**,
Suwon-si (KR)
(72) Inventors: **Keshu Shen**, Beijing (CN); **Kim**
Kyounghoon, Sungnam-si (KR); **Moon**
Sinwi, Seogwiposi (KR)

(73) Assignee: **Samsung Electronics Co., Ltd.**,
Suwon-si (KR)

(**) Term: **14 Years**

(21) Appl. No.: **29/465,338**

(22) Filed: **Aug. 27, 2013**

(30) **Foreign Application Priority Data**

Feb. 27, 2013 (KR) 30-2013-10366

(51) **LOC (10) Cl.** **14-03**

(52) **U.S. Cl.**
USPC **D14/126**

(58) **Field of Classification Search**
USPC D14/125-134, 239, 371, 136, 374-377,
D14/440, 450, 448, 336, 342, 159; 312/7.2;
348/836, 838, 180, 184, 325, 739;
341/12; 248/917-924, 465; 345/104,
345/133, 156, 168, 87, 173; 720/605, 669,
720/600, 655; 369/99, 197; D21/329, 515,
D21/577, 622, 333, 433, 448, 452, 450, 331,
D21/505; D6/477, 479, 300; 273/148 B;
446/484, 175, 356; D10/15, 26

See application file for complete search history.

(56) **References Cited**

U.S. PATENT DOCUMENTS

D621,375 S * 8/2010 Nagase D14/126
D628,172 S * 11/2010 Chien D14/126
D682,800 S * 5/2013 Kim et al. D14/126
D684,945 S * 6/2013 Kang et al. D14/126
D691,978 S * 10/2013 Han et al. D14/126
D694,207 S * 11/2013 Chang D14/126

* cited by examiner

Primary Examiner — Raphael Barkai
(74) *Attorney, Agent, or Firm* — NSIP Law

(57) **CLAIM**

The ornamental design for a TV, as shown and described.

DESCRIPTION

FIG. 1 is a front perspective view of a TV showing our new design;

FIG. 2 is a front view thereof;

FIG. 3 is a rear view thereof;

FIG. 4 is a left-side view thereof;

FIG. 5 is a right-side view thereof;

FIG. 6 is a top view thereof;

FIG. 7 is a bottom view thereof;

FIG. 8 is an enlarged view of the lower-left encircled portion of FIG. 3; and,

FIG. 9 is an enlarged view of the top-right encircled portion of FIG. 3.

The broken lines are for illustrative purposes only and form no part of the claimed design.

The dot-dash broken lines encircling portions of the claimed design that are illustrated in enlargements form no part of the claimed design.

The surface treatment of the TV shown in the figures forms no part of the claimed design, a TV according to the claimed design may have any surface treatment.

1 Claim, 8 Drawing Sheets

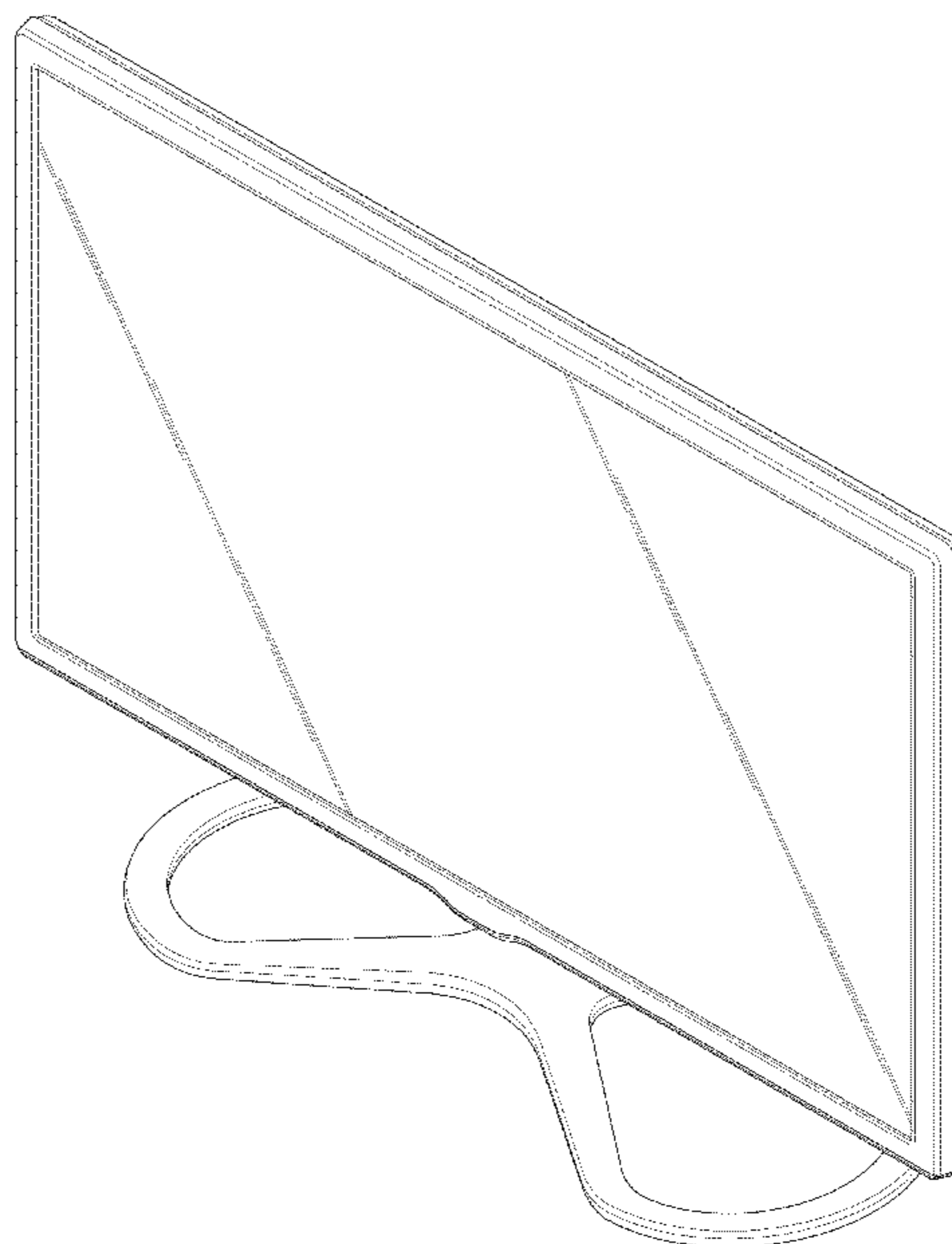


FIG. 1

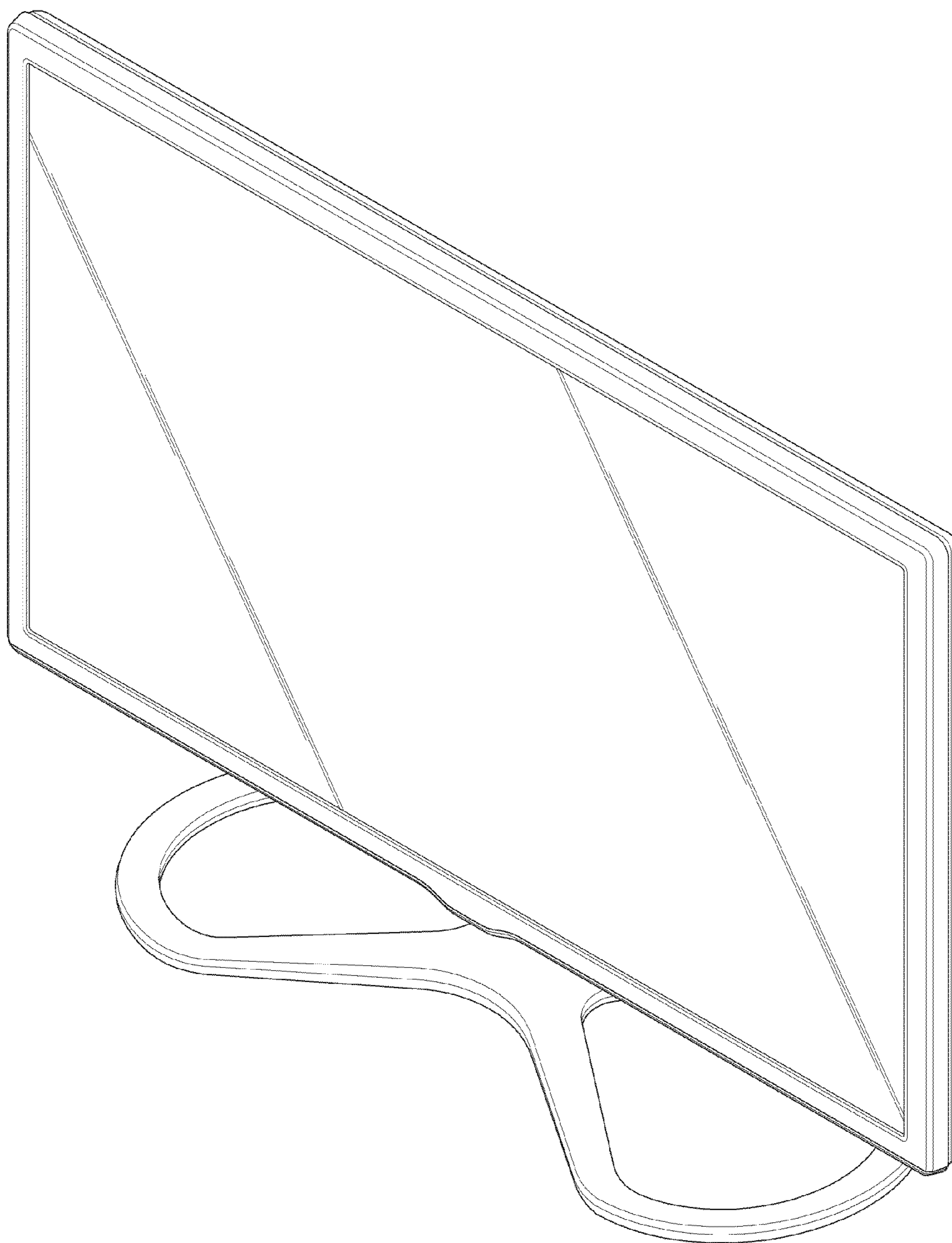


FIG. 2

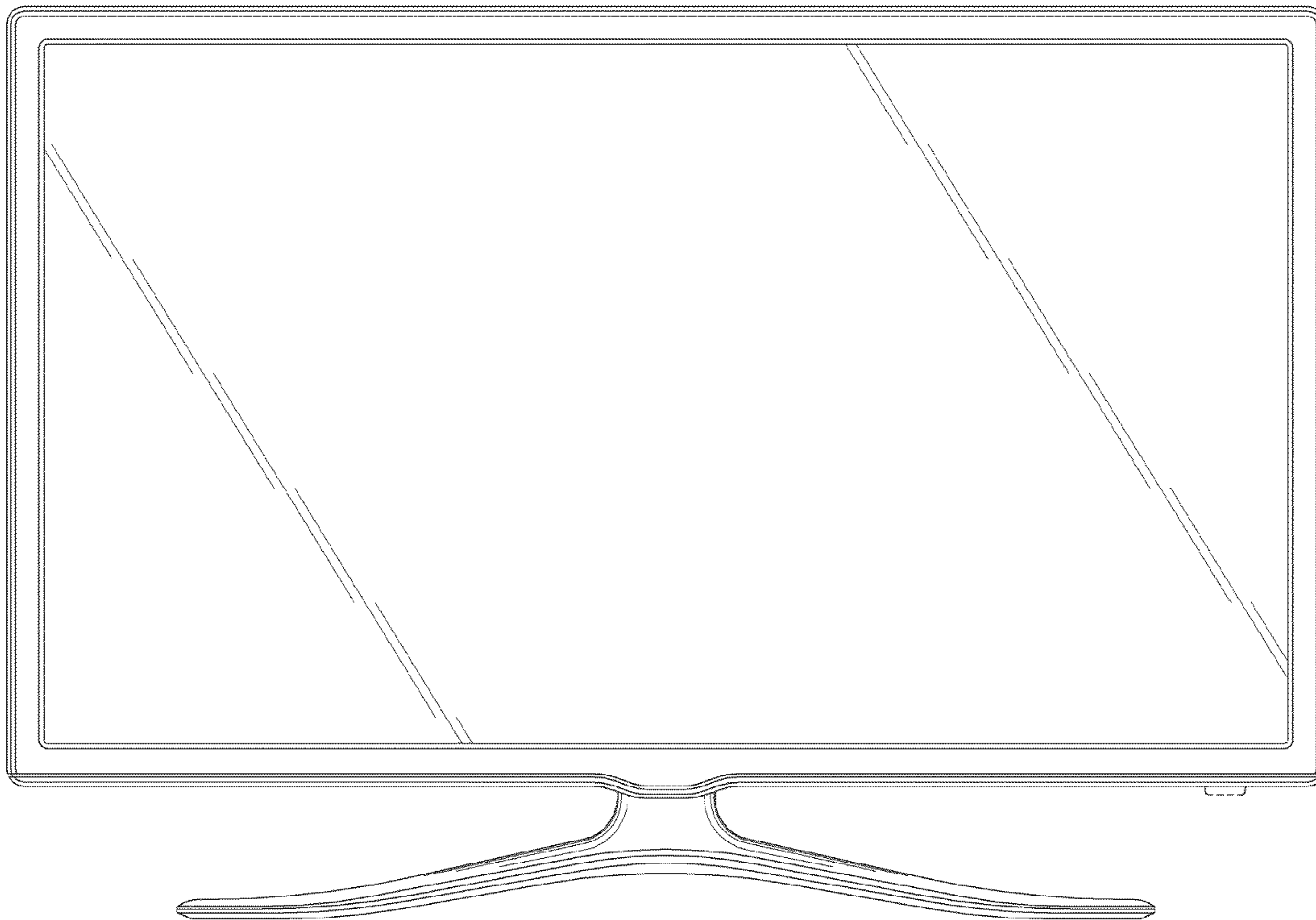


FIG. 3

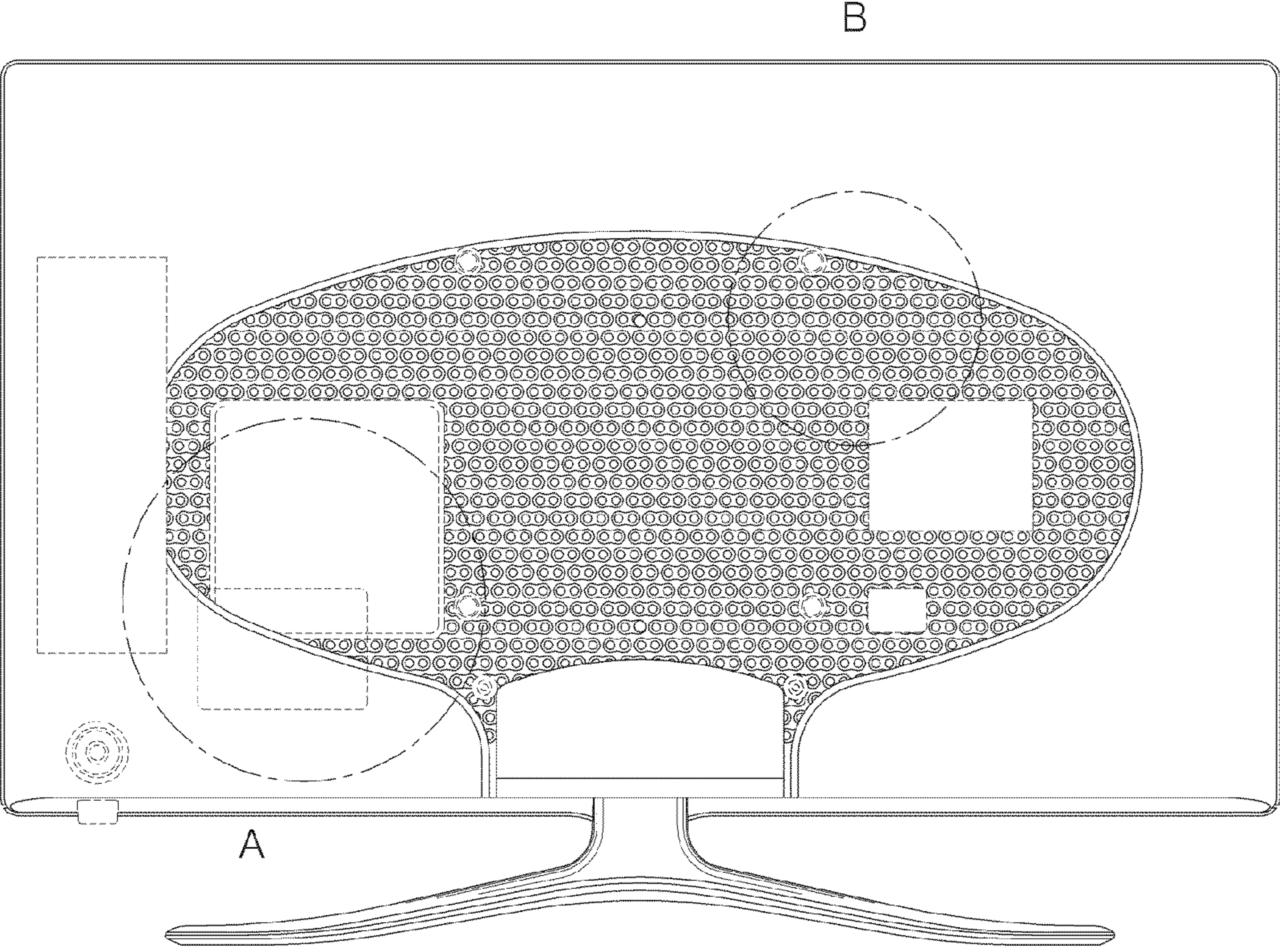


FIG. 4

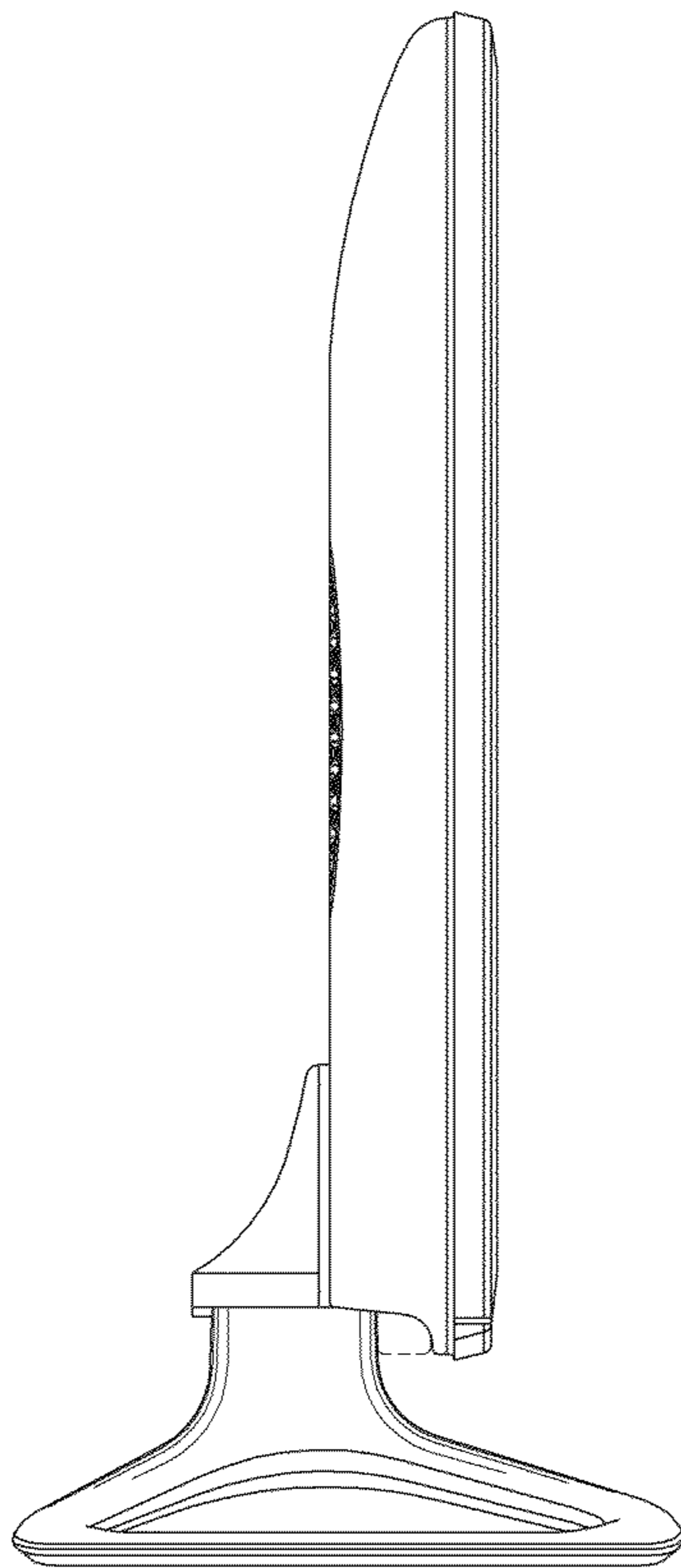


FIG. 5

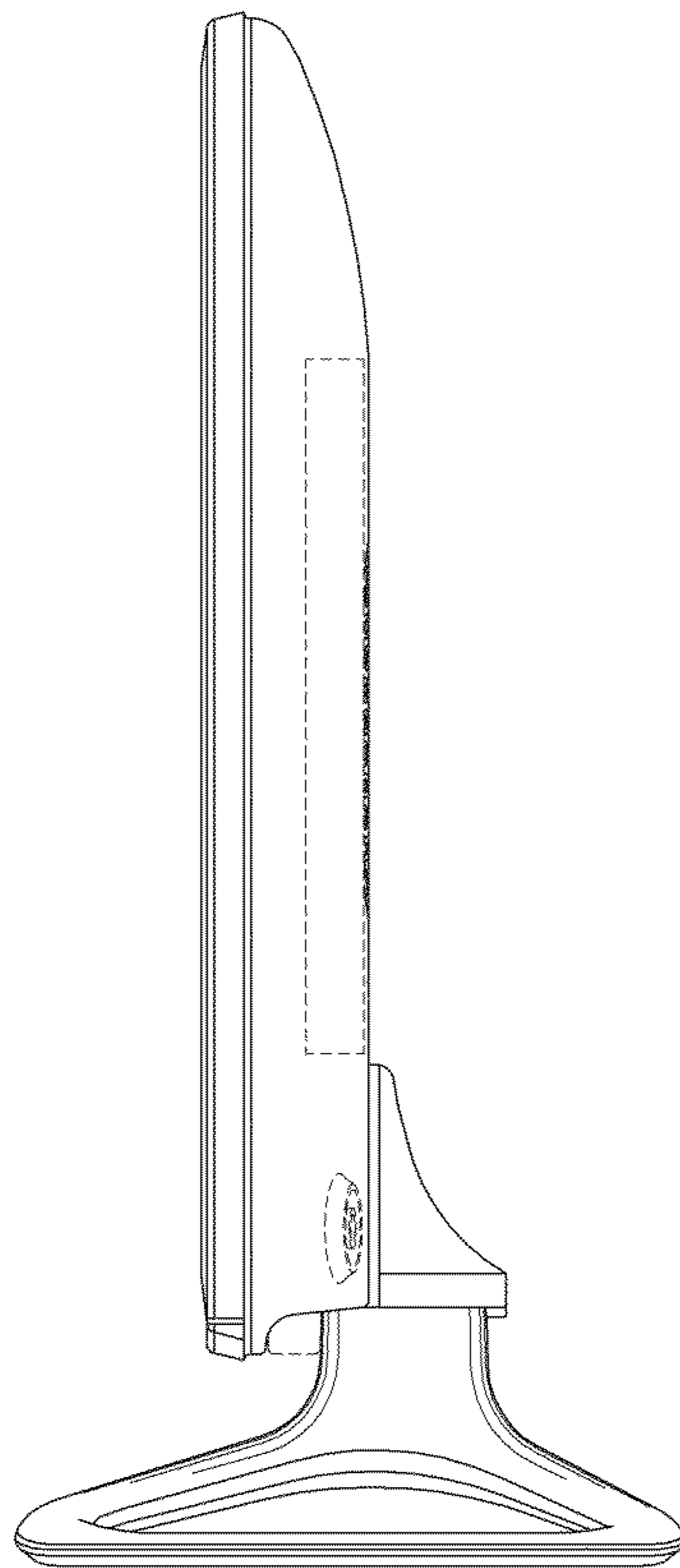


FIG. 6

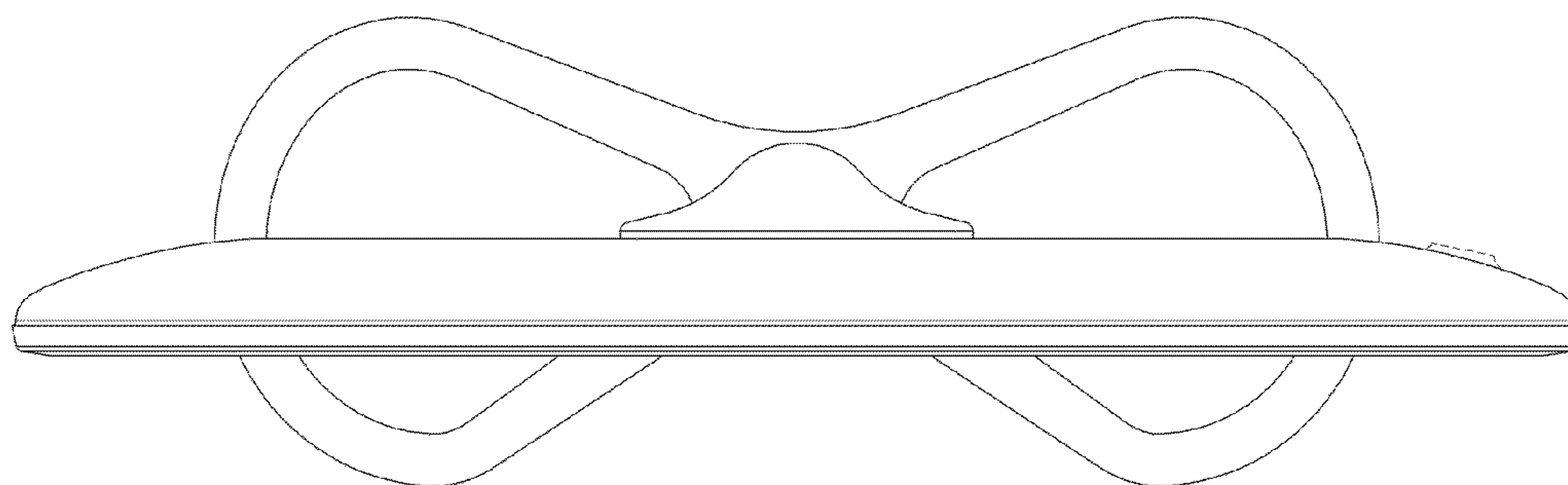


FIG. 7

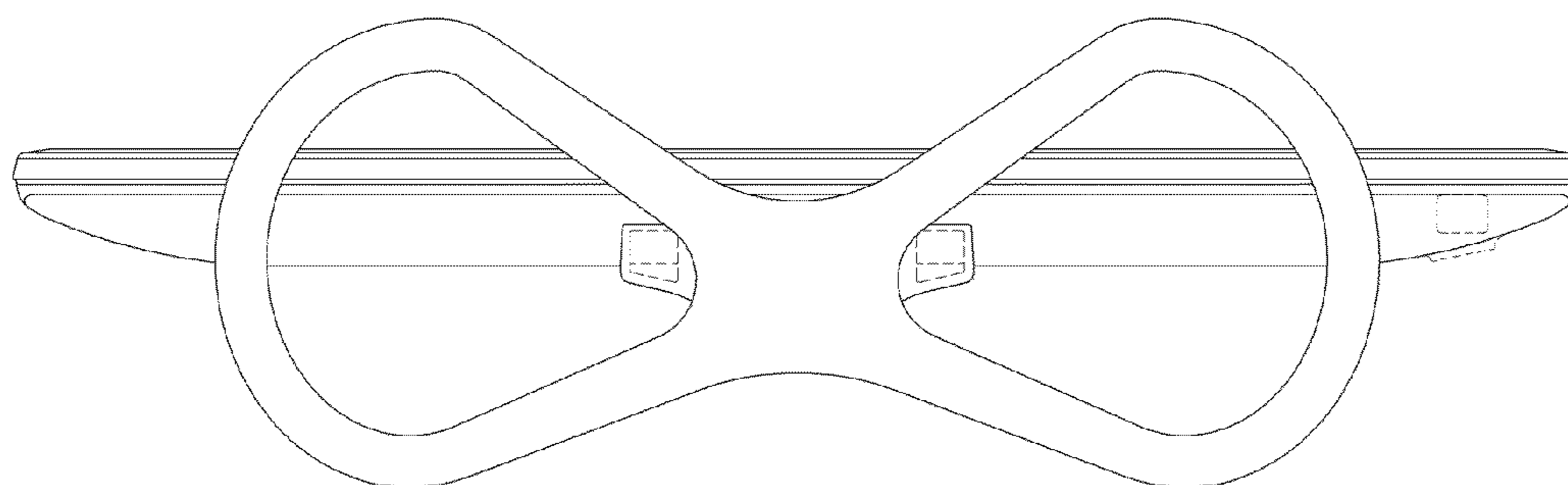


FIG. 8

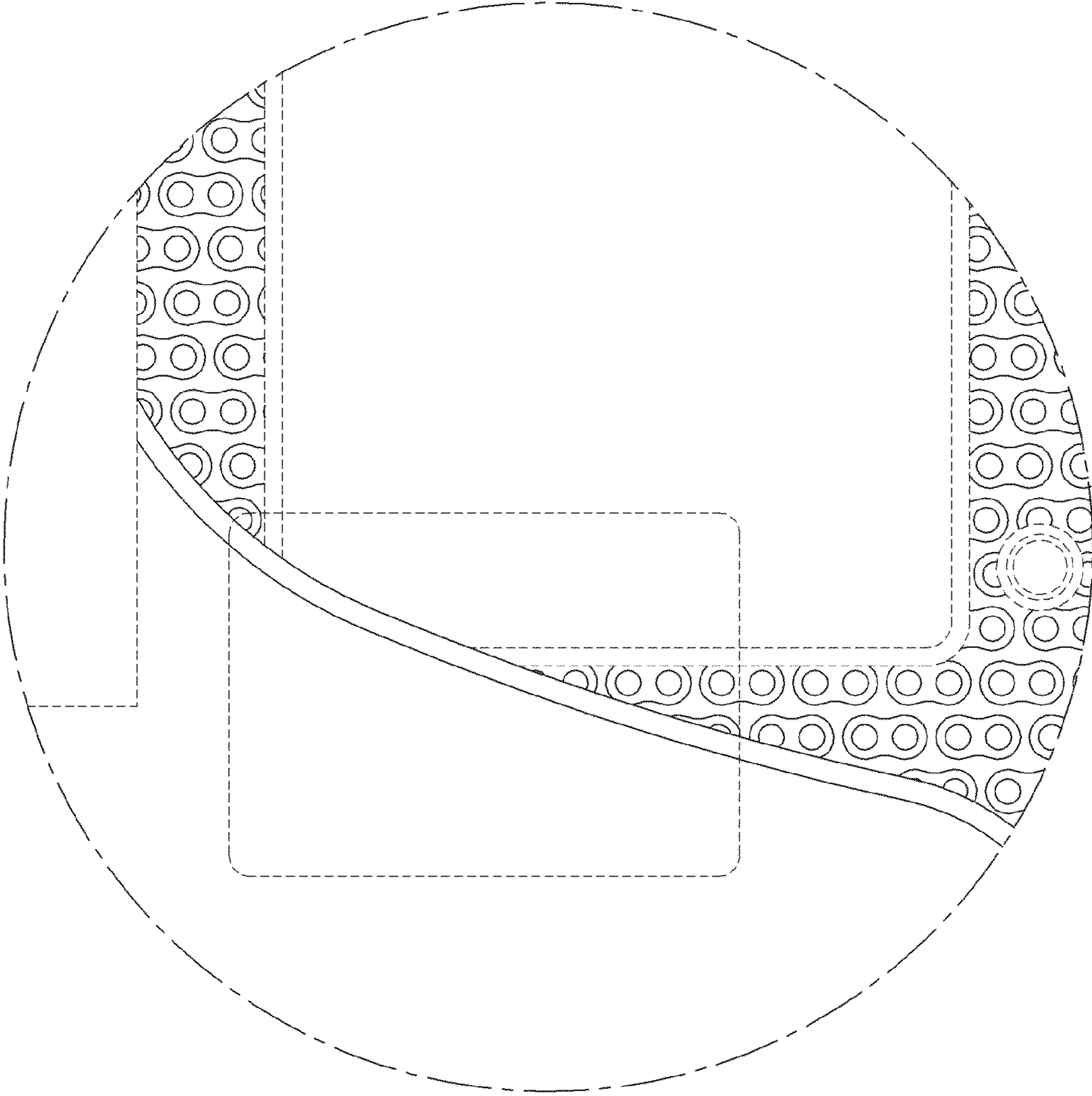


FIG. 9

