



US00D707193S

(12) **United States Design Patent**  
**Ogura et al.**

(10) **Patent No.:** **US D707,193 S**  
(45) **Date of Patent:** **\*\* Jun. 17, 2014**

(54) **SIGNAL CONVERSION DEVICE**

(71) Applicant: **Photonics Electronics Technology Research Association (PETRA)**, Tokyo (JP)

(72) Inventors: **Ichiro Ogura**, Tokyo (JP); **Koichi Takemura**, Tokyo (JP)

(73) Assignee: **Photonics Electronics Technology Research Association (PETRA)**, Tokyo (JP)

(\*\*) Term: **14 Years**

(21) Appl. No.: **29/467,180**

(22) Filed: **Sep. 16, 2013**

(51) **LOC (10) Cl.** ..... **13-03**

(52) **U.S. Cl.**  
USPC ..... **D13/182**

(58) **Field of Classification Search**  
USPC ..... D13/182; 174/250, 254; 257/40, 66, 72, 257/79-84; 313/483, 494, 506, 512; 315/169.3; 345/76, 82; 428/690; 427/66; 438/99, 460

See application file for complete search history.

D638,380 S \* 5/2011 Kuzuoka ..... D13/180  
D642,996 S \* 8/2011 Miyake ..... D13/180  
D658,602 S \* 5/2012 Egawa et al. .... D13/180  
D664,506 S \* 7/2012 Kuzuoka ..... D13/180  
D664,937 S \* 8/2012 Kuzuoka ..... D13/180  
D673,921 S \* 1/2013 Ozawa ..... D13/182  
D673,922 S \* 1/2013 Moriai et al. .... D13/182  
D684,124 S \* 6/2013 Matsuhisa et al. .... D13/180  
D684,125 S \* 6/2013 Kawachi et al. .... D13/180  
D684,126 S \* 6/2013 Kawachi et al. .... D13/180  
D688,637 S \* 8/2013 Matsuhisa et al. .... D13/180  
D690,277 S \* 9/2013 Matsuhisa et al. .... D13/180  
D694,200 S \* 11/2013 Matsuhisa et al. .... D13/180  
2001/0019245 A1 \* 9/2001 Ohshita et al. .... 313/506  
2005/0168143 A1 \* 8/2005 Kum et al. .... 313/512  
2006/0186520 A1 \* 8/2006 Toba et al. .... 257/678  
2008/0200041 A1 \* 8/2008 Lin et al. .... 439/62  
2009/0267526 A1 \* 10/2009 Sung et al. .... 315/169.3  
2011/0248627 A1 \* 10/2011 Fukano et al. .... 313/504

\* cited by examiner

*Primary Examiner* — Elizabeth J Oswecki  
(74) *Attorney, Agent, or Firm* — Kilpatrick Townsend & Stockton LLP

(57) **CLAIM**  
The ornamental design for signal conversion device, as shown and described.

**DESCRIPTION**

FIG. 1 is a front elevation view of a signal conversion device showing our new design;  
FIG. 2 is a top plan view thereof;  
FIG. 3 is a rear elevation view thereof;  
FIG. 4 is a bottom plan view thereof;  
FIG. 5 is a left side elevation view thereof;  
FIG. 6 is a right side elevation view thereof; and,  
FIG. 7 is a top perspective view thereof.

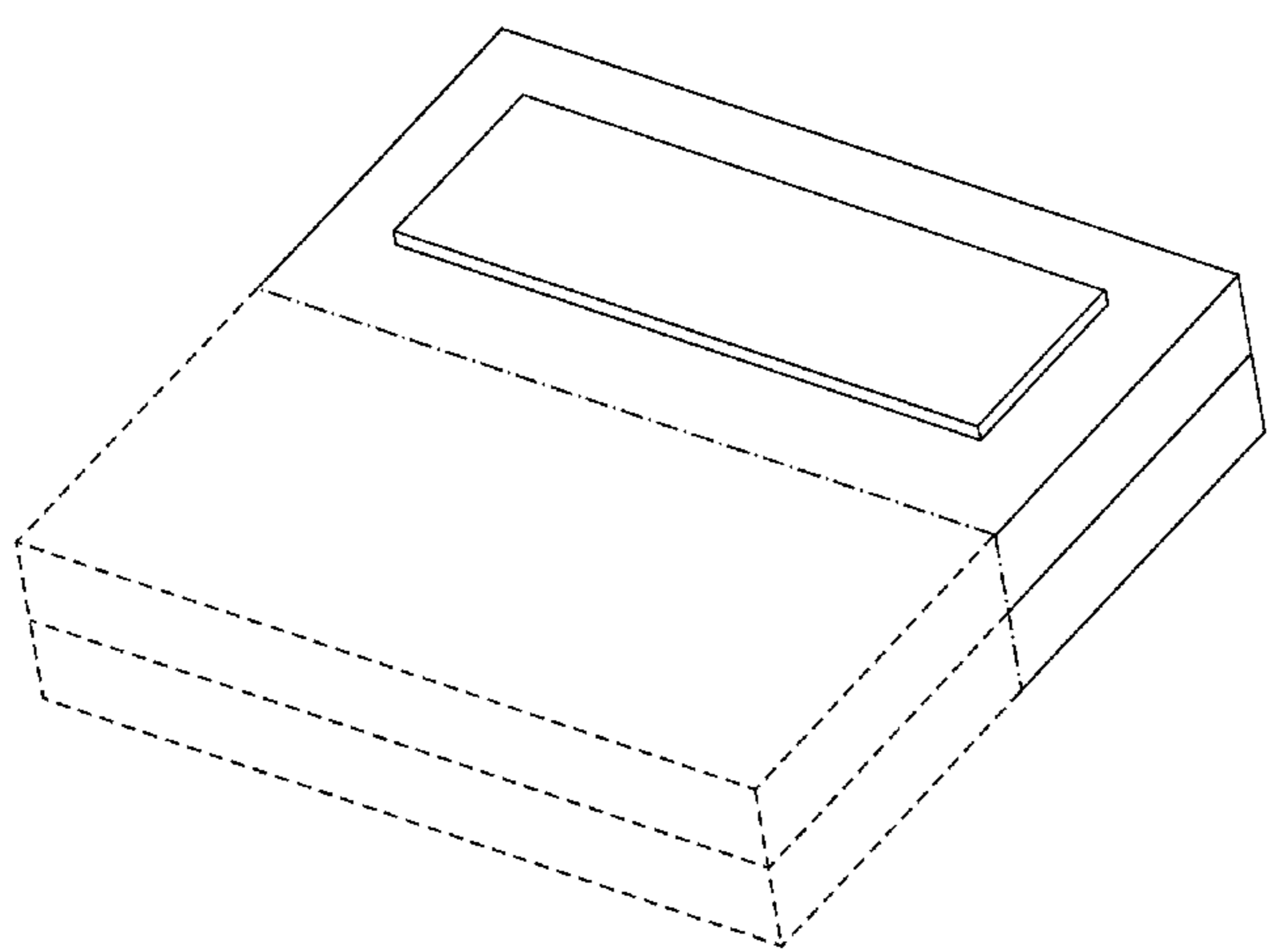
The dashed-dot-dashed lines represent the boundary line of the claimed design. The even spaced broken lines shown in the drawings represent portions of the signal conversion device that form no part of the claimed design.

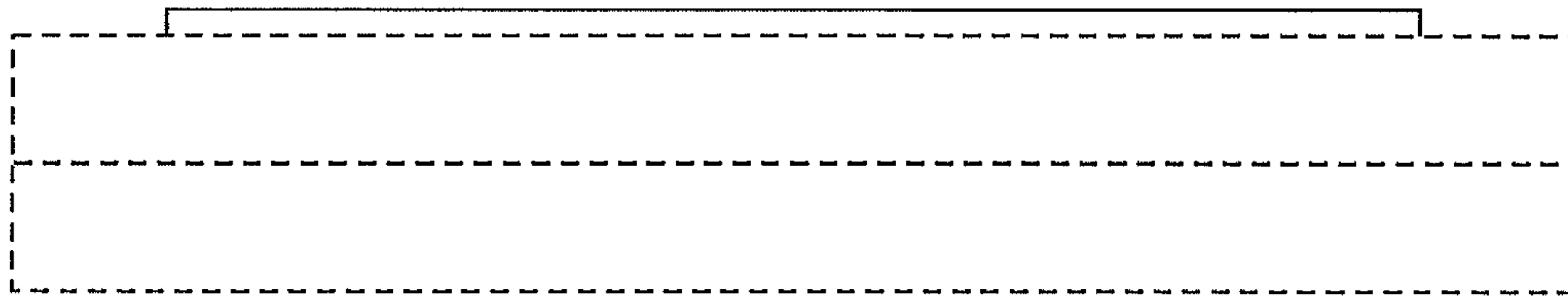
**1 Claim, 4 Drawing Sheets**

(56) **References Cited**

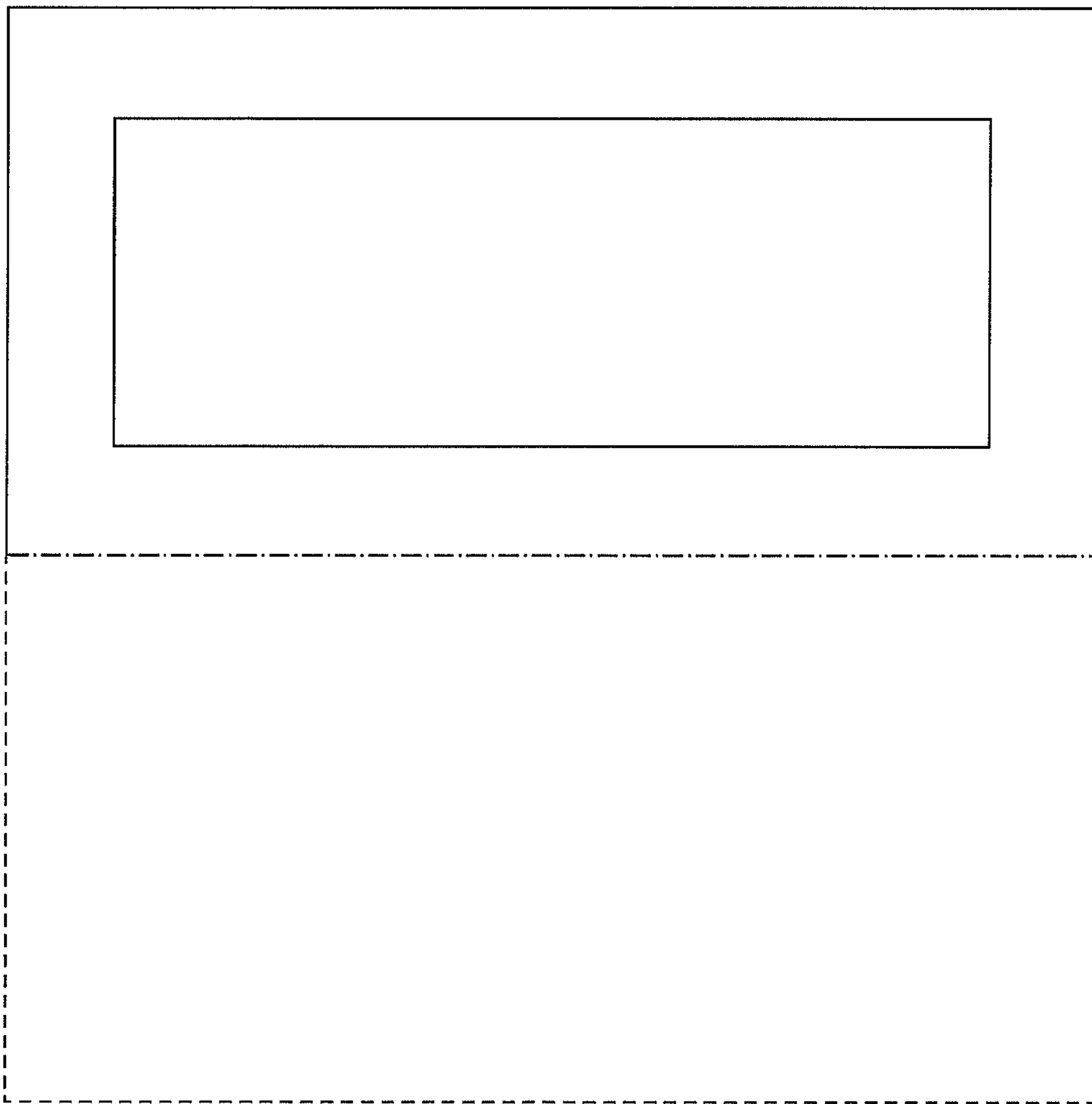
U.S. PATENT DOCUMENTS

3,497,750 A \* 2/1970 Knochel et al. .... 313/503  
D456,787 S \* 5/2002 Wasada et al. .... D13/182  
D461,171 S \* 8/2002 Fukumoto et al. .... D13/182  
D465,463 S \* 11/2002 Wasada et al. .... D13/182  
D465,773 S \* 11/2002 Fukumoto et al. .... D13/182  
D475,028 S \* 5/2003 Hori et al. .... D13/182  
D475,355 S \* 6/2003 Hori et al. .... D13/182  
D475,982 S \* 6/2003 Hori et al. .... D13/182  
D504,874 S \* 5/2005 Celaya et al. .... D13/182  
D510,728 S \* 10/2005 Celaya et al. .... D13/182  
D633,450 S \* 3/2011 Fujihara et al. .... D13/180  
D633,451 S \* 3/2011 Fujihara et al. .... D13/180  
D637,165 S \* 5/2011 Kuzuoka ..... D13/180

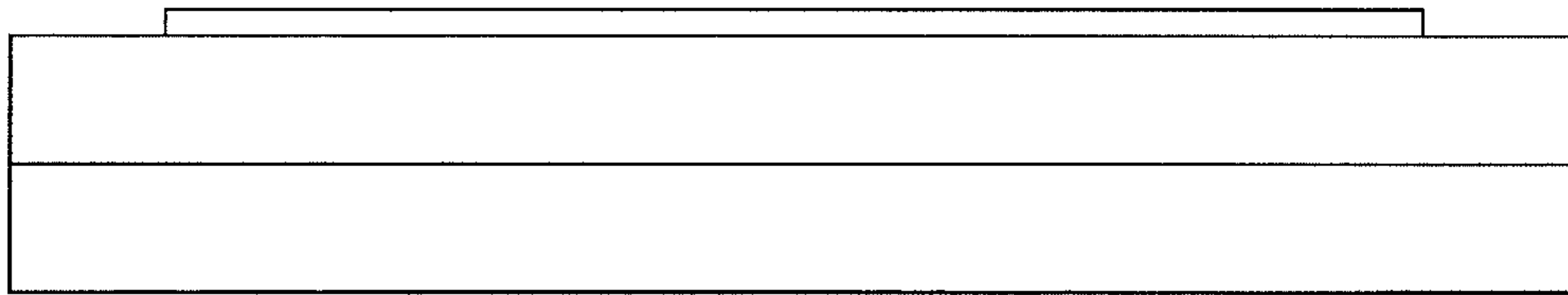




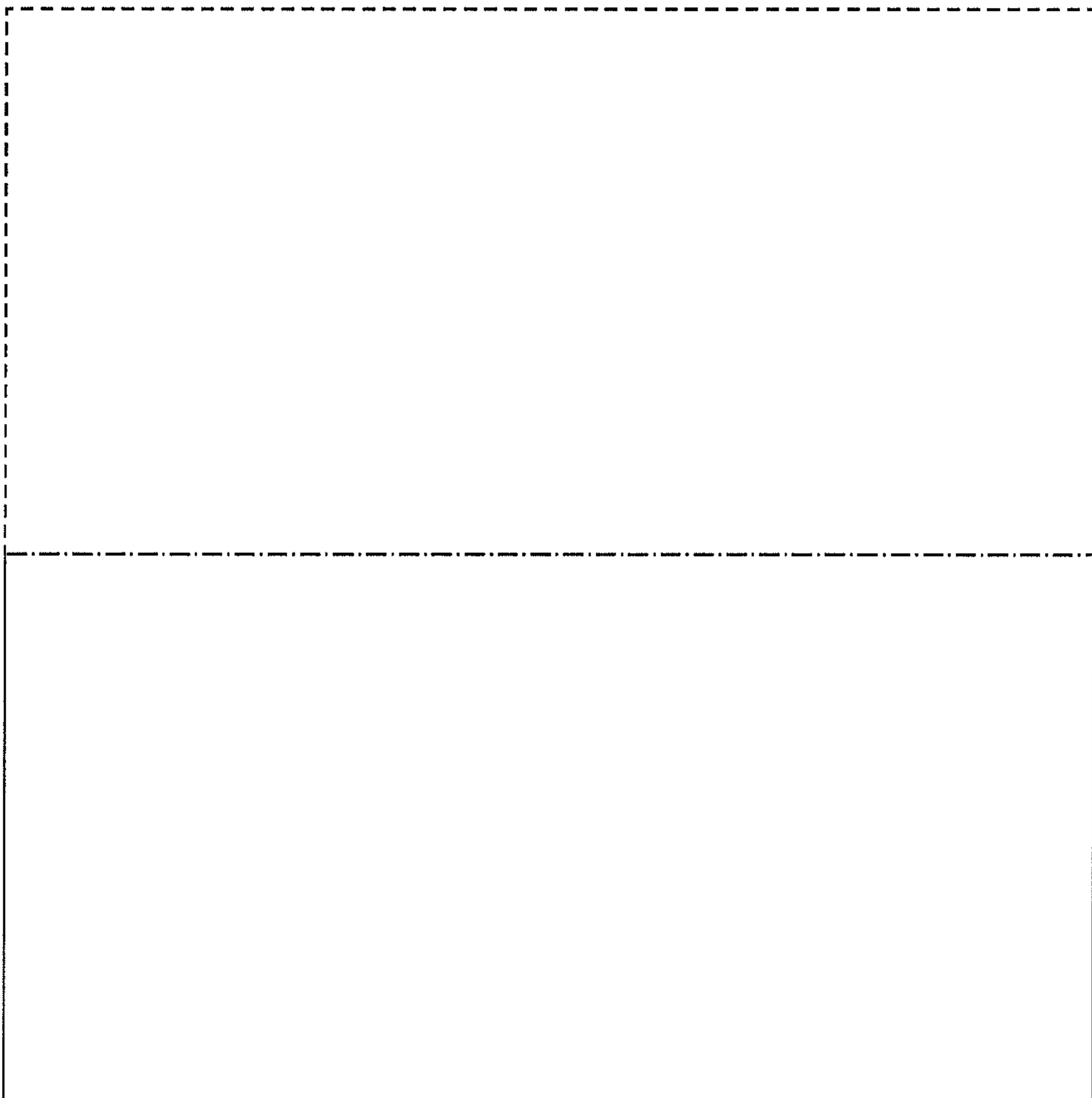
**FIG. 1**



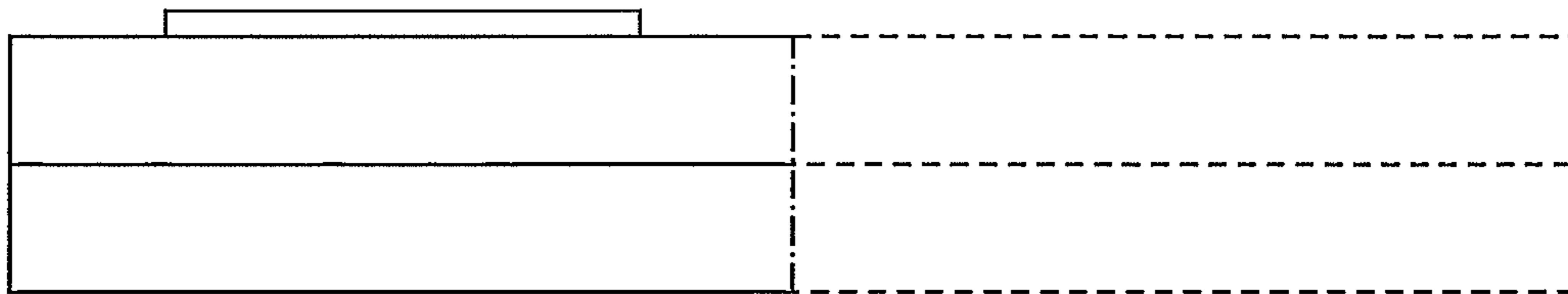
**FIG. 2**



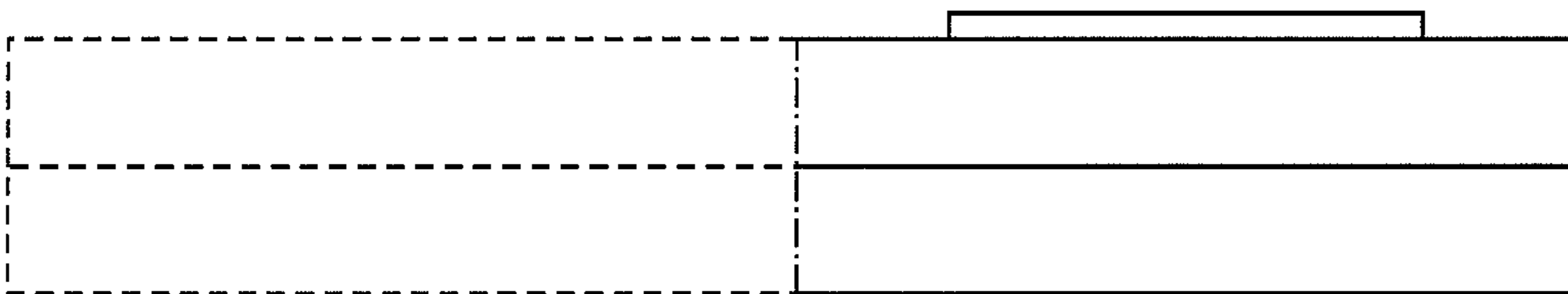
**FIG. 3**



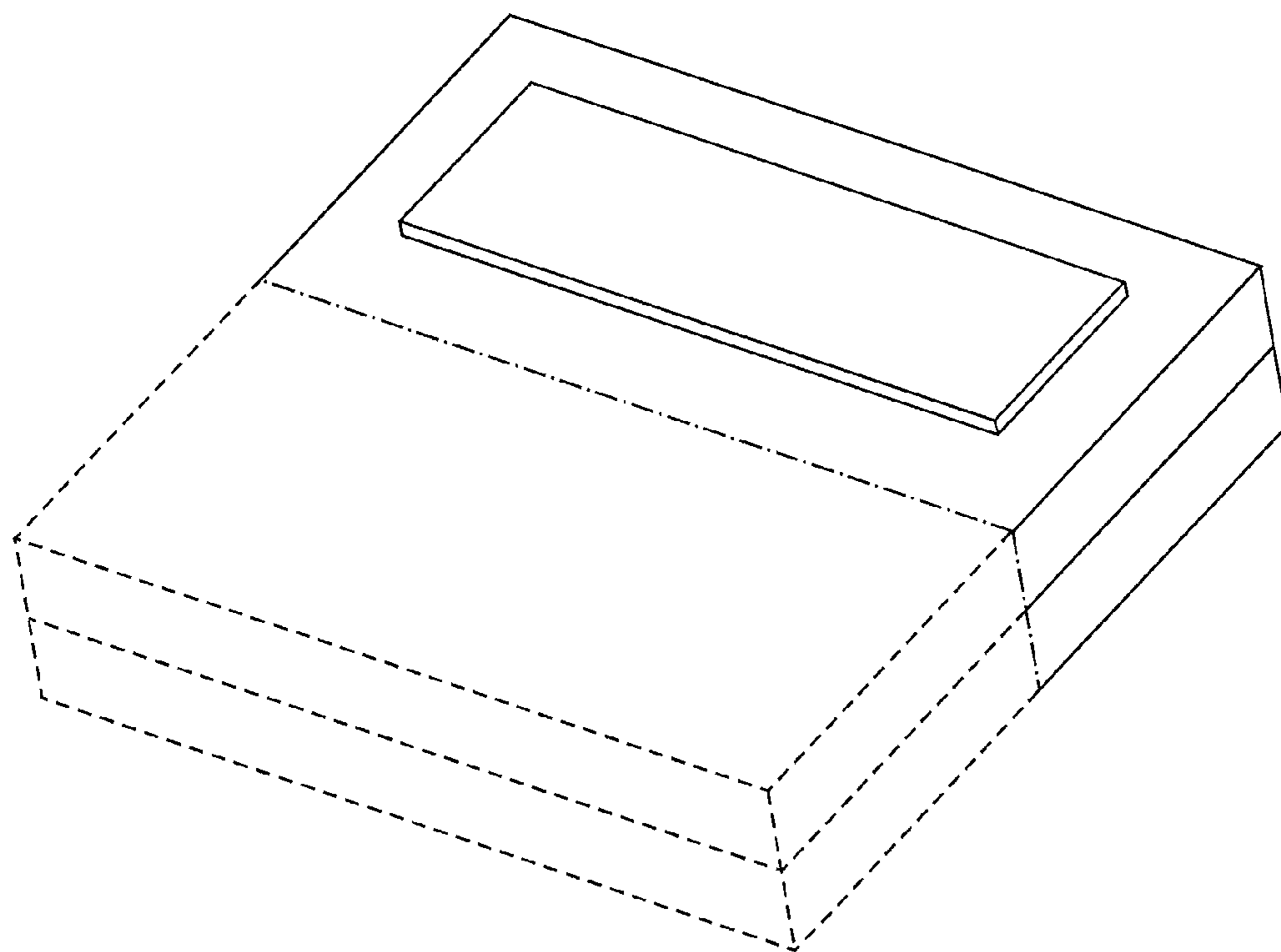
**FIG. 4**



**FIG. 5**



**FIG. 6**



**FIG. 7**