



US00D707189S

(12) **United States Design Patent**
Martello et al.

(10) **Patent No.:** **US D707,189 S**
(45) **Date of Patent:** **** Jun. 17, 2014**

(54) **CONSOLE**

(75) Inventors: **Alan Martello**, Pittsburgh, PA (US);
Robert Bell, Erin (CA); **John King**,
Plano, TX (US); **Garrett Douglas**,
Calgary (CA); **Philip Nye**, Bournemouth
(GB); **Brian Evans**, Kissimmee, FL
(US)

(73) Assignee: **ABL IP Holding LLC**, Conyers, GA
(US)

(**) Term: **14 Years**

(21) Appl. No.: **29/415,867**

(22) Filed: **Mar. 15, 2012**

(51) **LOC (10) Cl.** **13-03**

(52) **U.S. Cl.**

USPC **D13/164**

(58) **Field of Classification Search**

CPC H01H 3/12; H01H 13/04; H01H 9/02;
H01H 9/16; H01H 9/18; H01H 9/181; H01H
9/182; H01H 2009/187; H05B 33/0803;
H05B 33/0806; H05B 37/02; H05B 37/029;
H05B 37/0254; H05B 37/0272; H05B 39/02;
H05B 39/04; H05B 39/085; H05B 39/086;
H05B 39/088

USPC D13/162, 164; D10/49, 50; D14/359,
D14/486, 488; 315/318; 345/173; 362/85;
361/679.21; 700/17, 83

See application file for complete search history.

(56) **References Cited**

U.S. PATENT DOCUMENTS

D280,893 S * 10/1985 Ueda D13/164
D360,404 S * 7/1995 Cotten et al. D13/164
5,455,748 A * 10/1995 Cotten et al. 362/85
D387,734 S * 12/1997 Hawkins et al. D13/158

D390,197 S * 2/1998 Thomas D13/174
D398,289 S * 9/1998 Burke D13/162
D412,337 S * 7/1999 Hamano D16/237
D416,235 S * 11/1999 Hanesworth et al. D13/164
D420,332 S * 2/2000 Lee et al. D13/163
6,270,239 B1 * 8/2001 Sund 362/295
D451,890 S * 12/2001 Reese et al. D13/163
D473,544 S 4/2003 Powell
D493,146 S * 7/2004 Brett et al. D13/164
D563,116 S 3/2008 Atkins
D588,580 S 3/2009 Chisholm et al.
7,821,781 B2 * 10/2010 Adenau 361/679.11
D649,809 S 12/2011 Keshishyan
D650,778 S 12/2011 Suzuki et al.
8,138,689 B2 * 3/2012 Adenau 315/318
D666,159 S * 8/2012 Adenau D13/164
8,410,724 B2 * 4/2013 Adenau 315/312
2007/0103447 A1 * 5/2007 Varian et al. 345/173
2008/0012849 A1 * 1/2008 Snyder et al. 345/418
2013/0249433 A1 * 9/2013 Martello et al. 315/292

* cited by examiner

Primary Examiner — Selina Sikder

(74) *Attorney, Agent, or Firm* — Kilpatrick Townsend &
Stockton, LLP

(57) **CLAIM**

The ornamental design for a console, as shown and described.

DESCRIPTION

FIG. 1 is a top perspective view of a console, showing our new design.

FIG. 2 is a top plan view of the console of FIG. 1.

FIG. 3 is a bottom plan view of the console of FIG. 1.

FIG. 4 is a front elevation view of the console of FIG. 1.

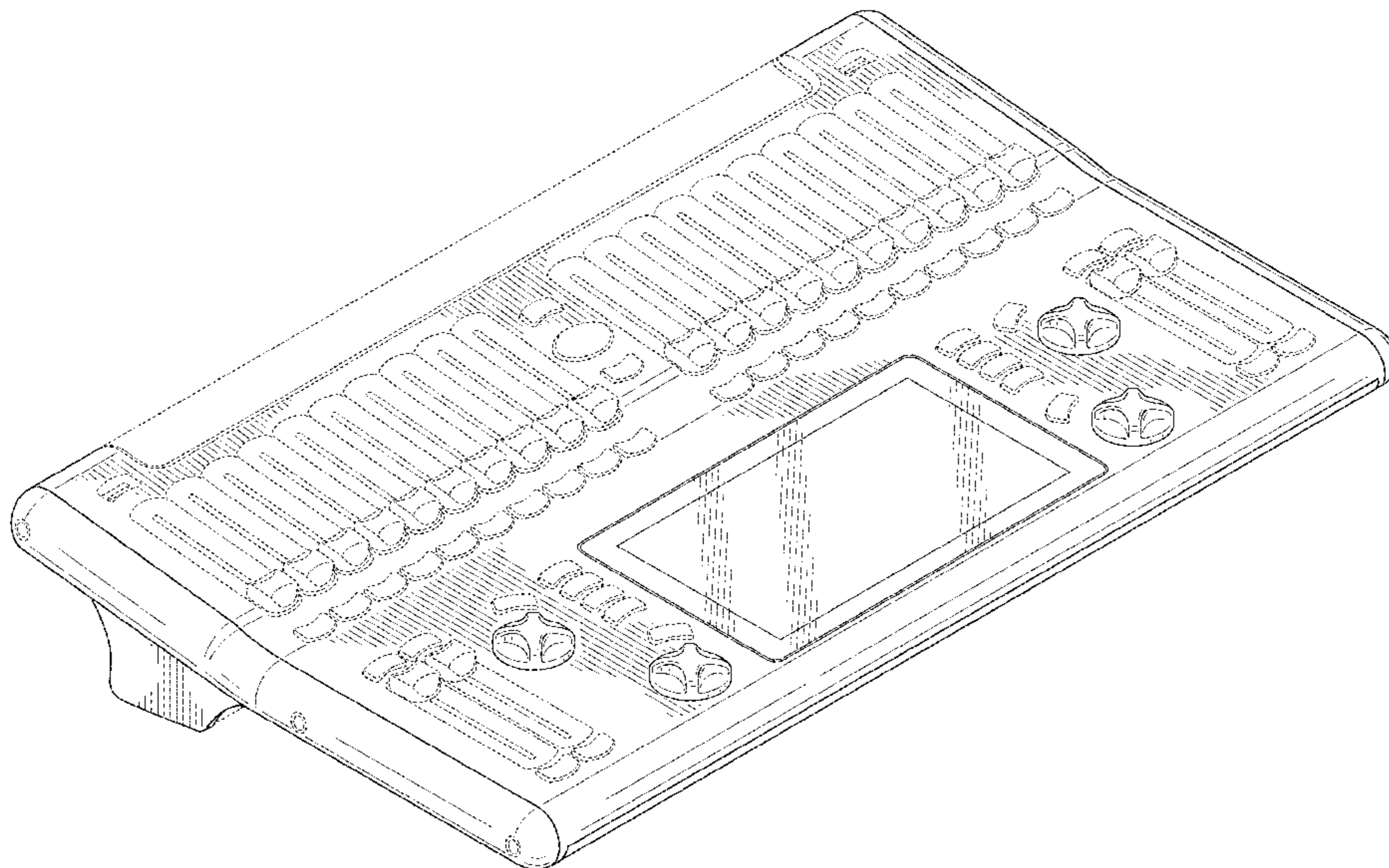
FIG. 5 is rear elevation view of the console of FIG. 1.

FIG. 6 is left side elevation view of the console of FIG. 1; and,

FIG. 7 is right side elevation view of the console of FIG. 1.

In the drawings, details shown in broken lines form no part of the claimed design.

1 Claim, 5 Drawing Sheets



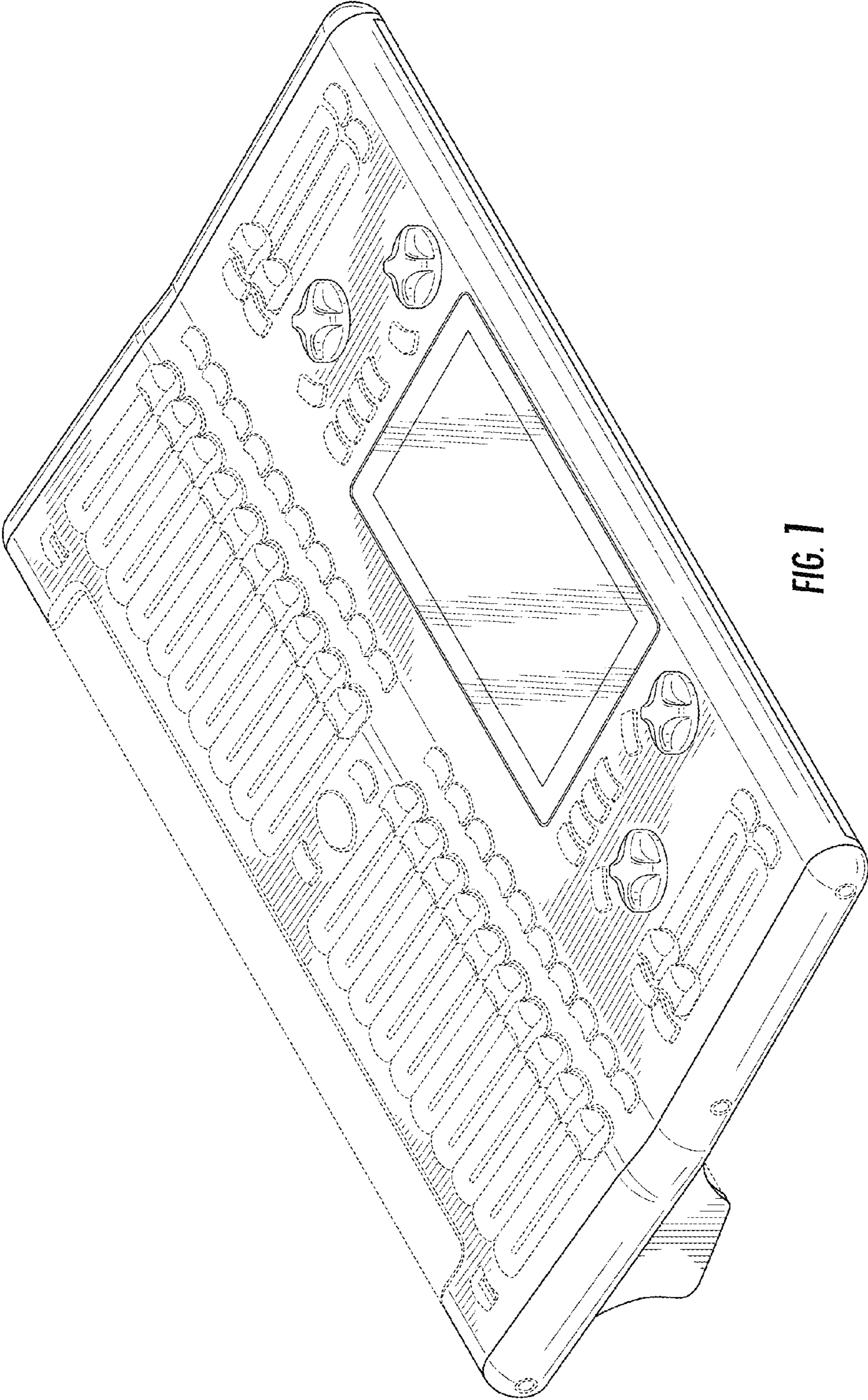


FIG. 1

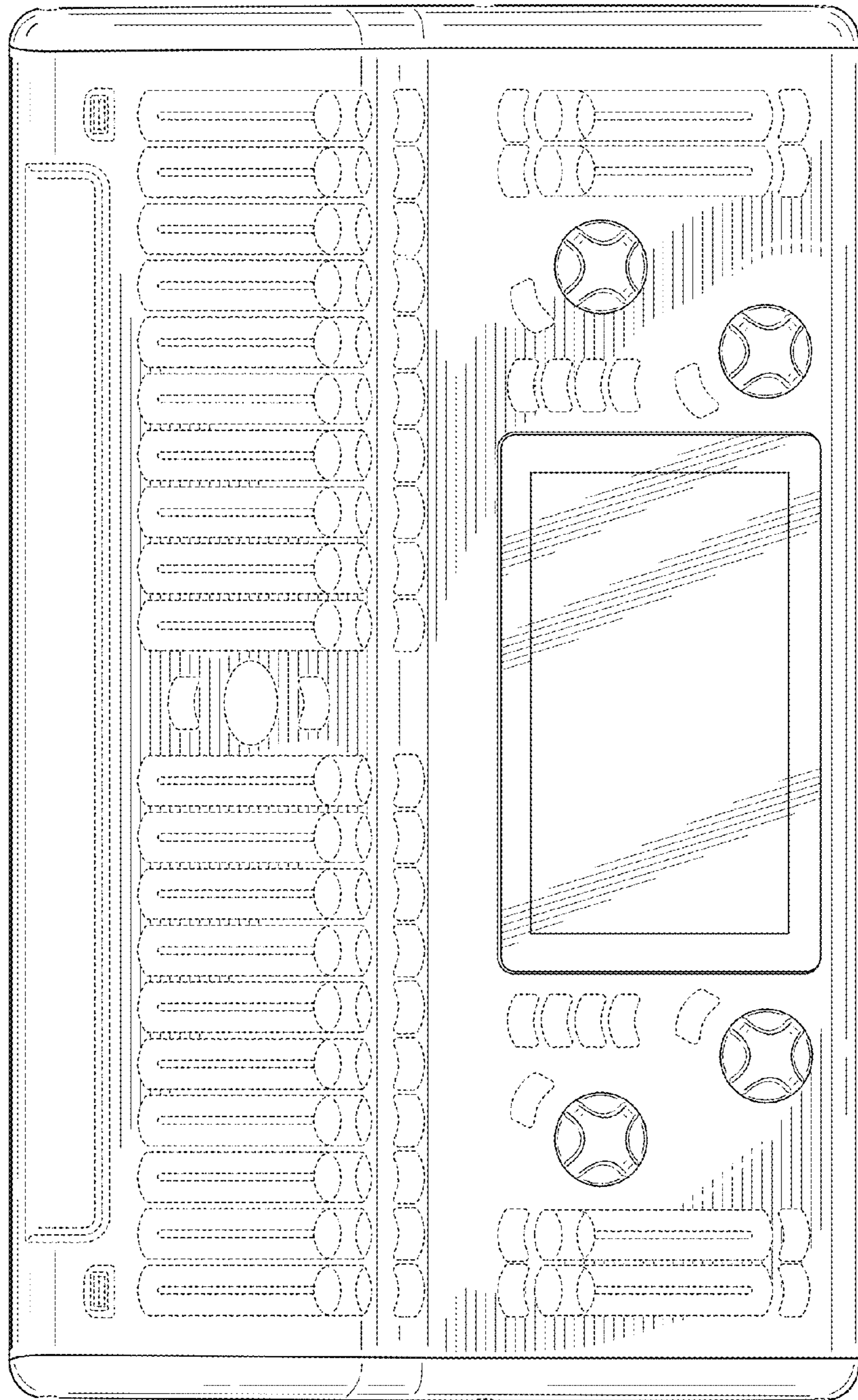


FIG. 2

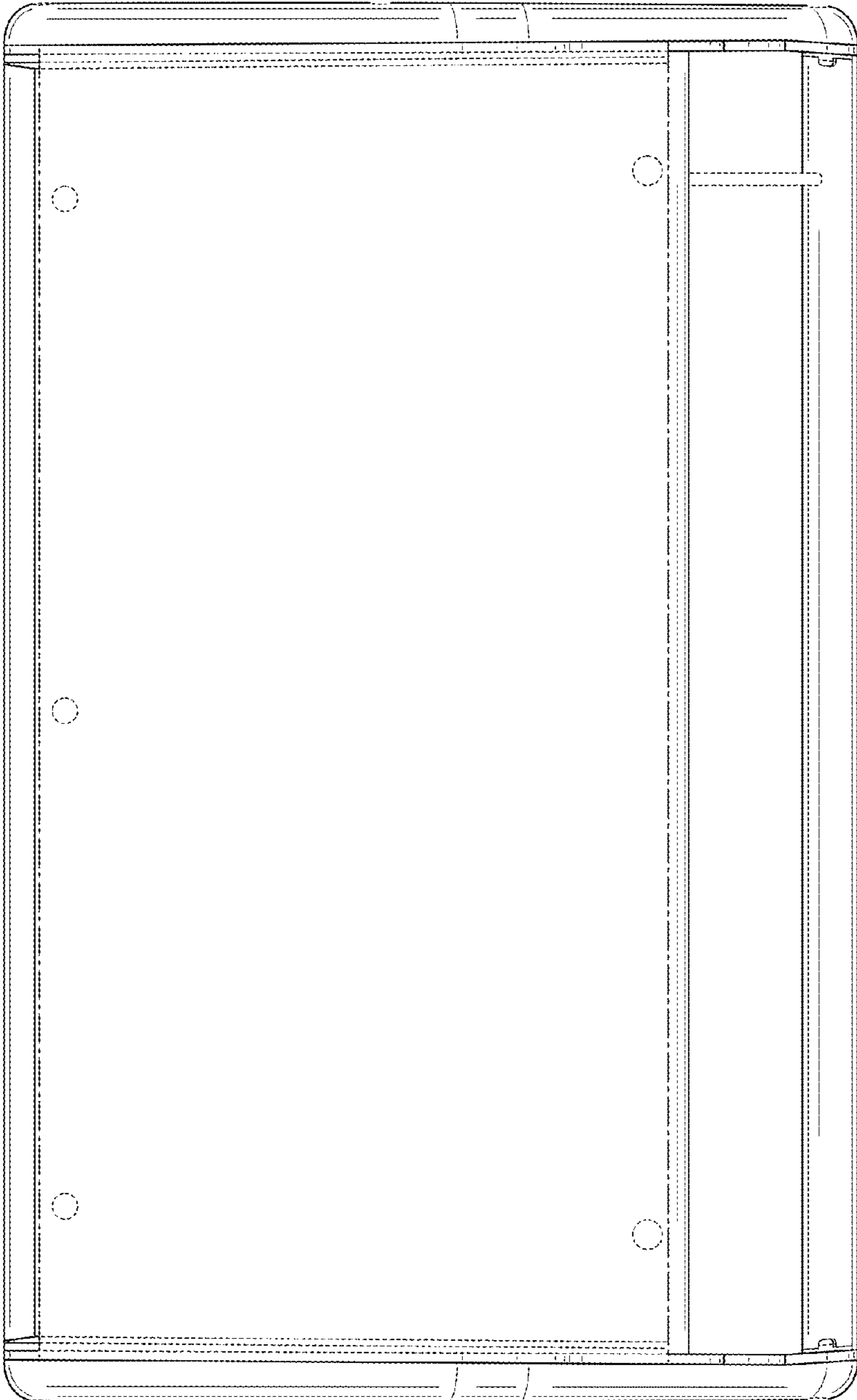


FIG. 3

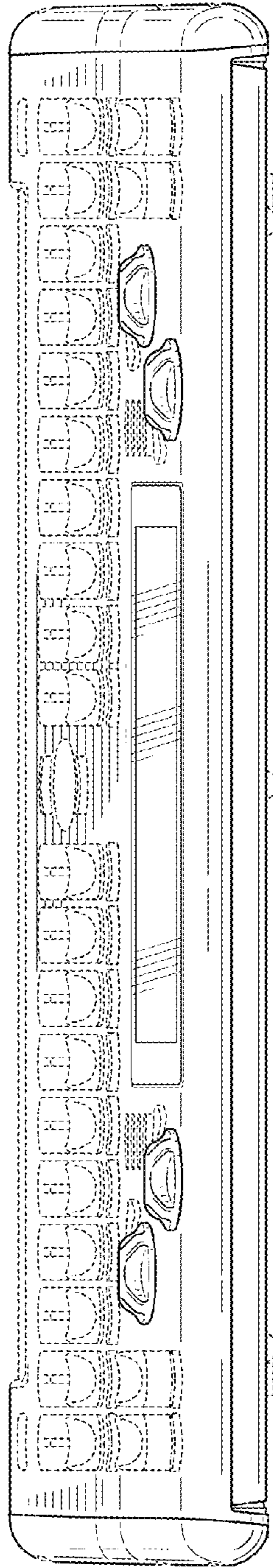


FIG. 4

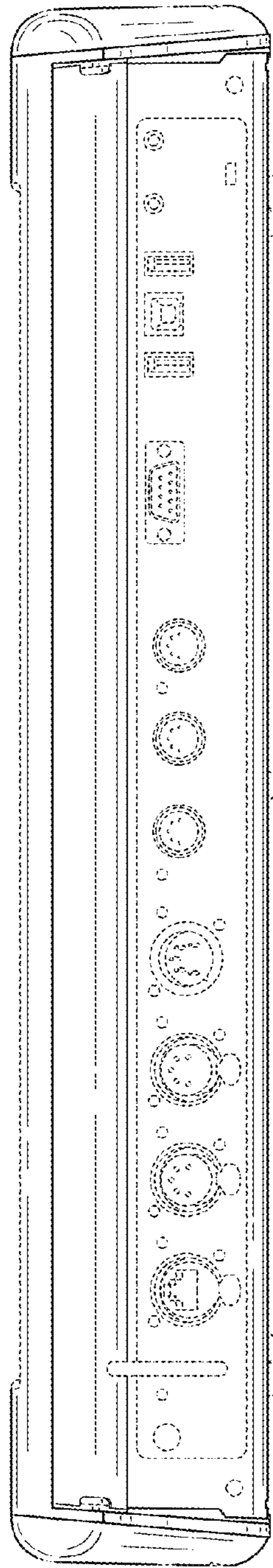


FIG. 5

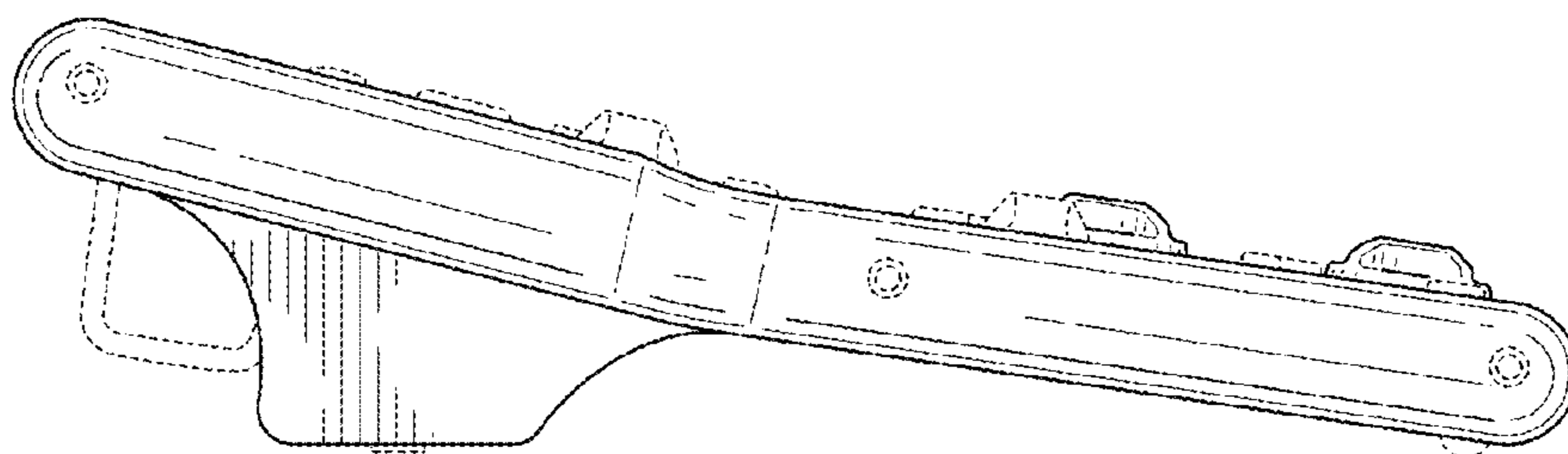


FIG. 6

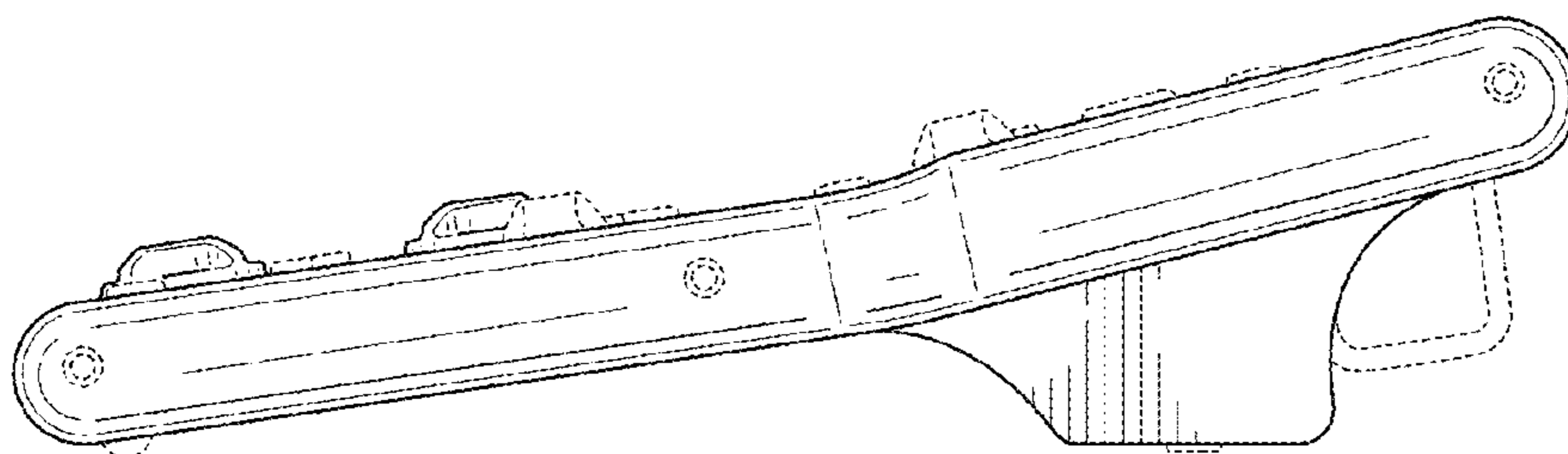


FIG. 7