



US00D707188S

(12) **United States Design Patent**
Joshi et al.

(10) **Patent No.:** **US D707,188 S**
(45) **Date of Patent:** **** Jun. 17, 2014**

- (54) **LOAD CONTROL DEVICE**
- (71) Applicant: **Lutron Electronics Co., Inc.**,
Coopersburg, PA (US)
- (72) Inventors: **Guari Ashok Joshi**, Pune, IN (US);
Amy E. Miller, Allentown, PA (US);
Richard David Samuels, Riegelsville,
PA (US); **James P. Steiner**, Royersford,
PA (US)
- (73) Assignee: **Lutron Electronics Co., Inc.**,
Coopersburg, PA (US)
- (**) Term: **14 Years**
- (21) Appl. No.: **29/468,257**
- (22) Filed: **Sep. 27, 2013**
- (51) **LOC (10) Cl.** **13-03**
- (52) **U.S. Cl.**
USPC **D13/162; D10/106.8**
- (58) **Field of Classification Search**
USPC **D13/158, 162, 164; D10/104.1, 106.8;**
200/5 R, 5 A, 302.2, 520, 530, 293, 296,
200/308, 310, 314, 330, 333, 329, 341;
250/221, DIG. 1; 307/116, 141;
340/540, 565; 361/157, 160, 178;
700/295, 297
See application file for complete search history.

- D543,951 S * 6/2007 Blair et al. D13/162
- D565,983 S 4/2008 Ni et al.
- D565,984 S 4/2008 Lidong et al.
- D569,291 S 5/2008 Ni et al.
- D583,336 S * 12/2008 Ni D13/170
- 7,480,208 B2 * 1/2009 Bender et al. 367/93

(Continued)

OTHER PUBLICATIONS

U.S. Appl. No. 29/452,762, filed Apr. 22, 2013, Sloan.

(Continued)

Primary Examiner — Selina Sikder

(74) *Attorney, Agent, or Firm* — Mark E. Rose; Philip N. Smith; Bridget L. McDonough

(57) **CLAIM**

We claim the ornamental design for a load control device, as shown and described.

DESCRIPTION

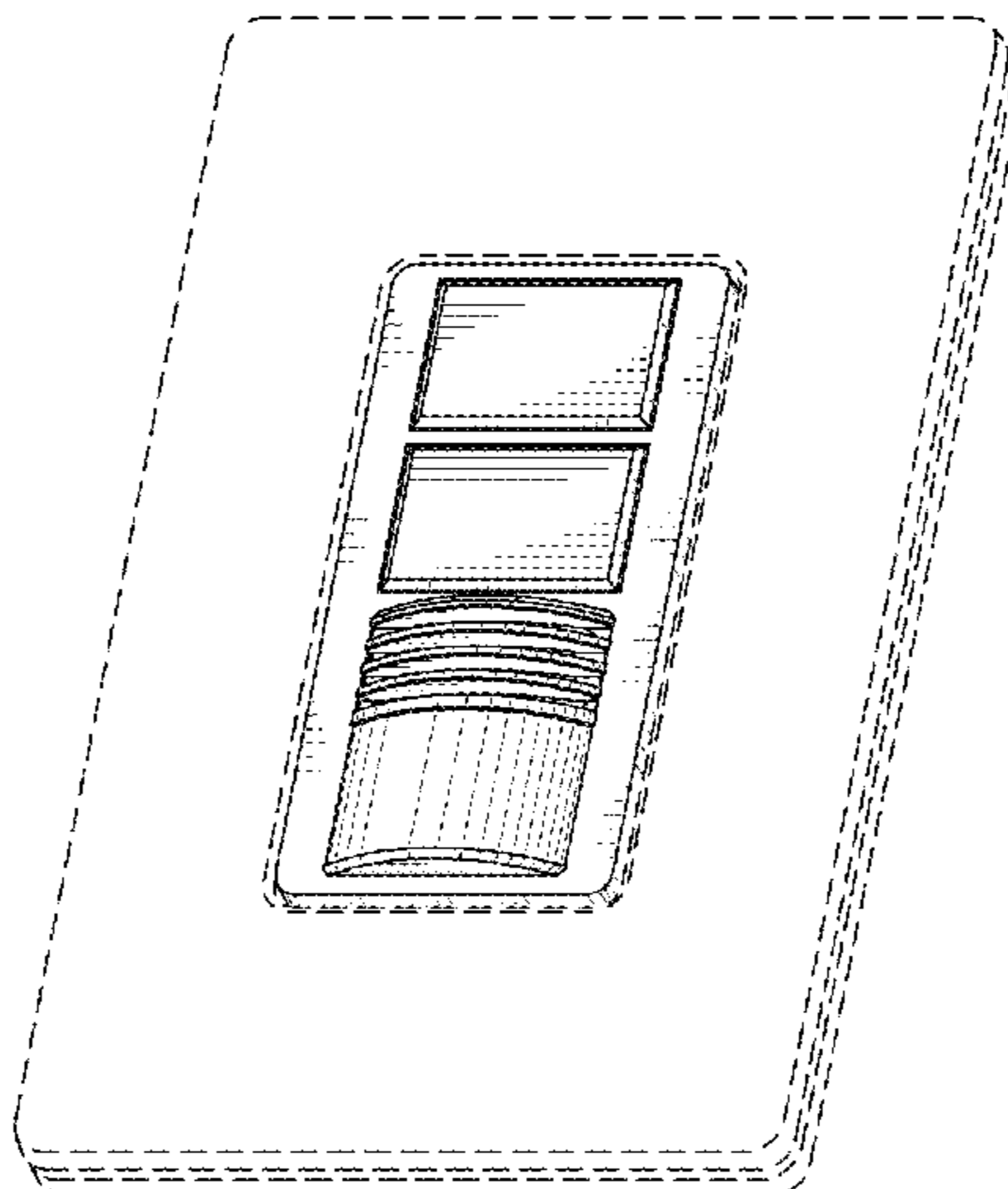
FIG. 1 is a perspective view of a load control device according to a first embodiment of our new design.
 FIG. 2 is a front view thereof.
 FIG. 3 is a left side view thereof.
 FIG. 4 is a right side view thereof.
 FIG. 5 is a top view thereof.
 FIG. 6 is a bottom view thereof.
 FIG. 7 is a perspective view of a load control device according to a second embodiment of our new design.
 FIG. 8 is a front view thereof.
 FIG. 9 is a left side view thereof.
 FIG. 10 is a right side view thereof.
 FIG. 11 is a top view thereof; and,
 FIG. 12 is a bottom view thereof.
 The rear views form no part of the design and are omitted. The portions of the drawings appearing in broken line are for environment only and do not form a part of the claimed design.

1 Claim, 8 Drawing Sheets

(56) **References Cited**

U.S. PATENT DOCUMENTS

- 5,128,654 A * 7/1992 Griffin et al. 340/567
- D376,130 S 12/1996 Elwell et al.
- D435,473 S 12/2000 Eckel et al.
- D437,585 S 2/2001 Mayo et al.
- D439,853 S 4/2001 Aiello et al.
- D450,043 S 11/2001 Mosebrook
- D535,204 S 1/2007 Bender et al.
- D539,234 S 3/2007 Blair et al.



(56)

References Cited

U.S. PATENT DOCUMENTS

D588,035	S	3/2009	Schmalz et al.	
D595,604	S	7/2009	Schmalz et al.	
7,576,647	B1 *	8/2009	Mudge	340/541
D602,446	S *	10/2009	Felegy et al.	D13/171
D627,309	S	11/2010	Snyder et al.	
D654,030	S *	2/2012	Hoffknecht et al.	D13/164
8,346,403	B2	1/2013	Goyal et al.	
2011/0253516	A1 *	10/2011	Figueroa et al.	200/297
2013/0285472	A1 *	10/2013	Bull	307/116

OTHER PUBLICATIONS

U.S. Appl. No. 29/452,764, filed Apr. 22, 2013, Sloan.
 U.S. Appl. No. 29/468,251, filed Sep. 27, 2013, Joshi et al.
 U.S. Appl. No. 29/468,254, filed Sep. 27, 2013, Joshi et al.
 U.S. Appl. No. 29/468,255, filed Sep. 27, 2013, Joshi et al.
 Leviton Manufacturing Co., Inc., Occupancy Sensors Product Guide, 2006, front cover, p. 9, rear cover.

Leviton Manufacturing Co., Inc., OSSMT-MDA Product Specifications/Info Sheet, 2007, 2 pages.
 Lightolier Controls, IntelliSight Universal Sensor Switch Installation and Operations Manuel, 2007, 12 pages.
 GE Total Lighting Control, Remote Control Low Voltage Switching Components and Applications, Sep. 1998, front cover, p. 26, rear cover.
 Novitas, Inc., SuperSwitch Mini Automatic On/Manual On Wall Switch Specification Sheet, 2002, 2 pages.
 Sensor Switch, Inc., LWS/LWSH Series Large Area Wall Switch Sensor Specification Sheet, Dec. 7, 2005, 2 pages.
 Sensor Switch, Inc., WSD-PDT 2 Pole Passive Dual Technology Decorator Wall Switch Sensor Specification Sheet, Apr. 28, 2006, 2 pages.
 Watt Stopper, PW-100/PW-100-347/PW-200 Dual Technology Wall Switch Occupancy Sensor Installation Instructions, Oct. 2006, 8 pages.
 Hubbell Building Automation, Inc., LightHawk Multi-Technology Wall Switch Sensor, Feb. 2006, 2 pages.

* cited by examiner

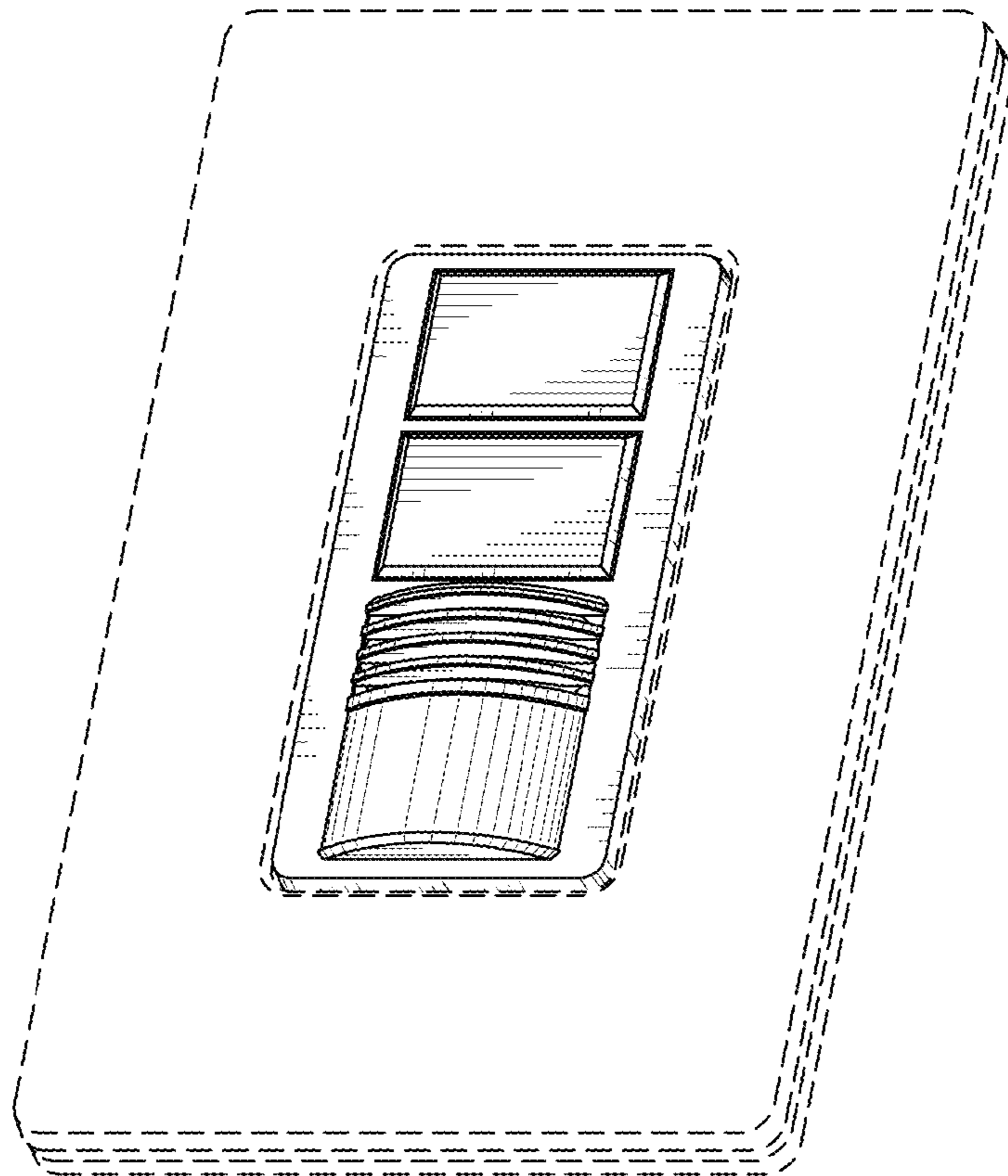


Fig. 1

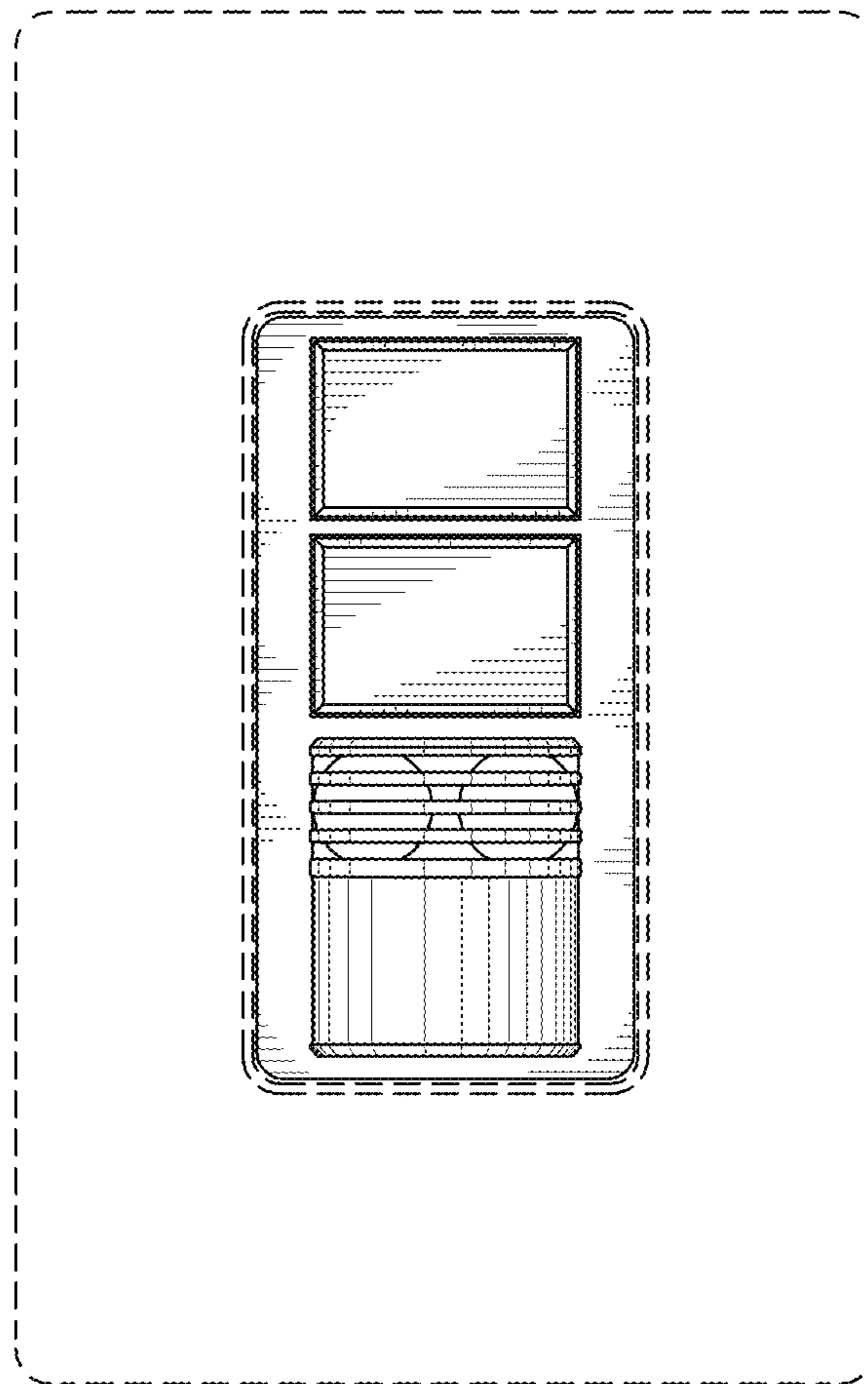


Fig. 2

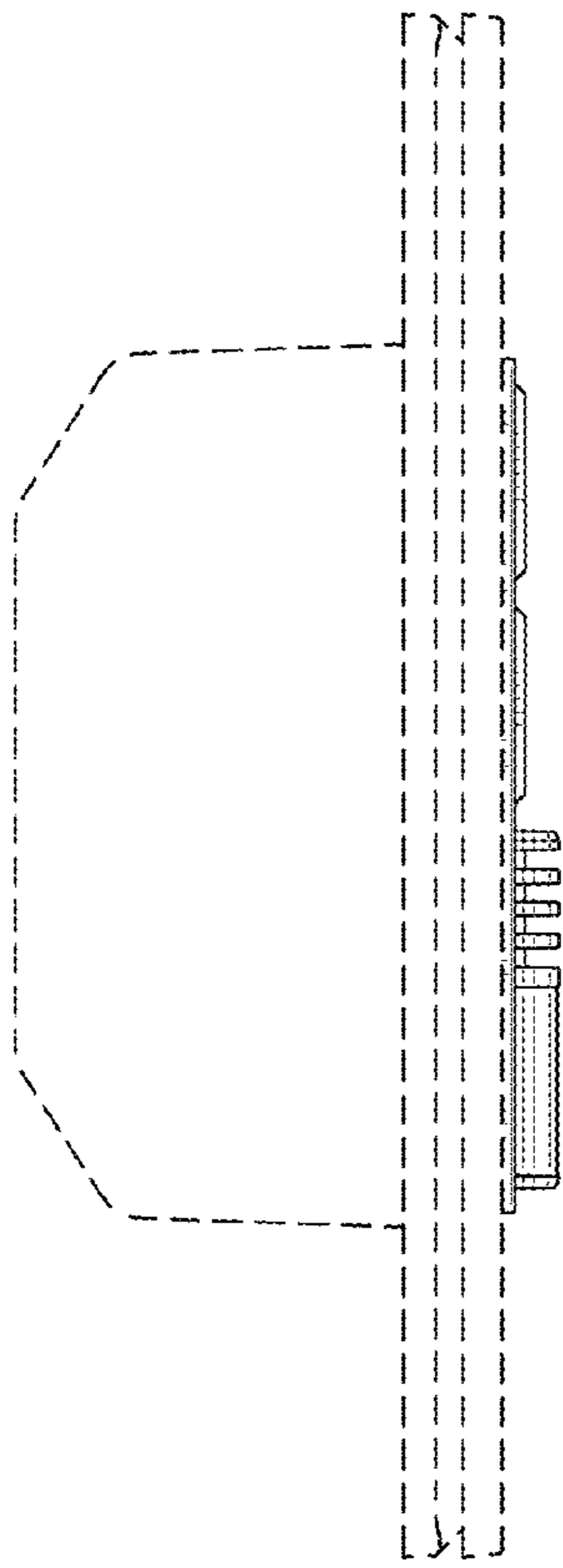


Fig. 3

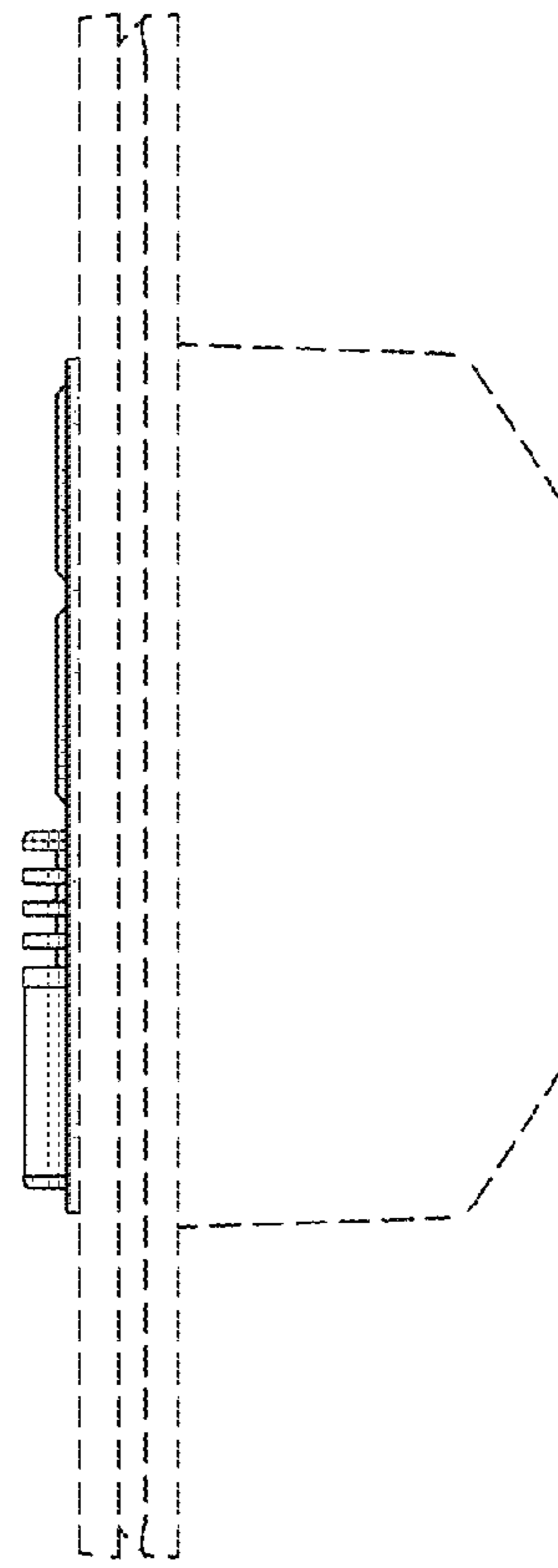


Fig. 4

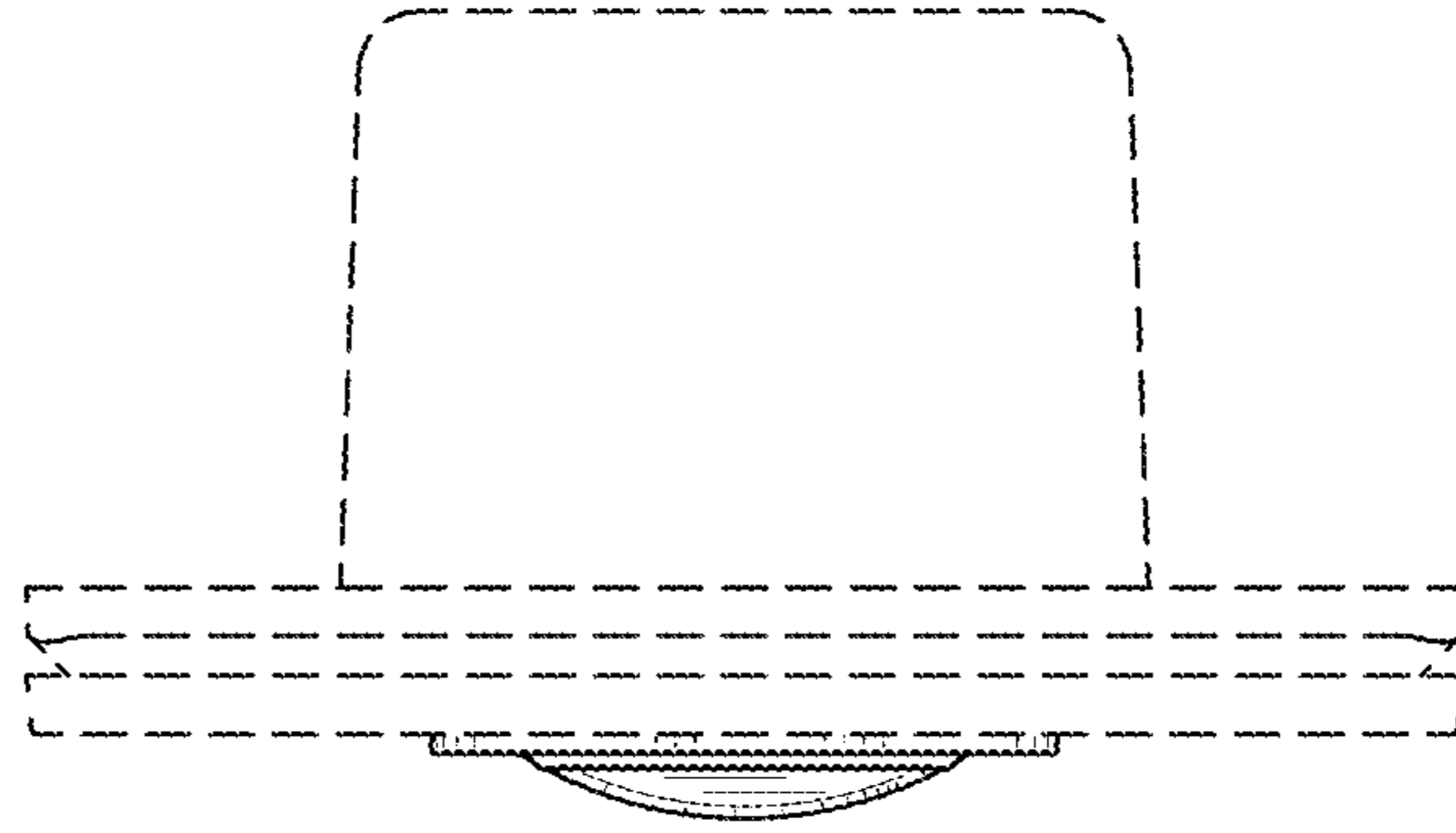


Fig. 5

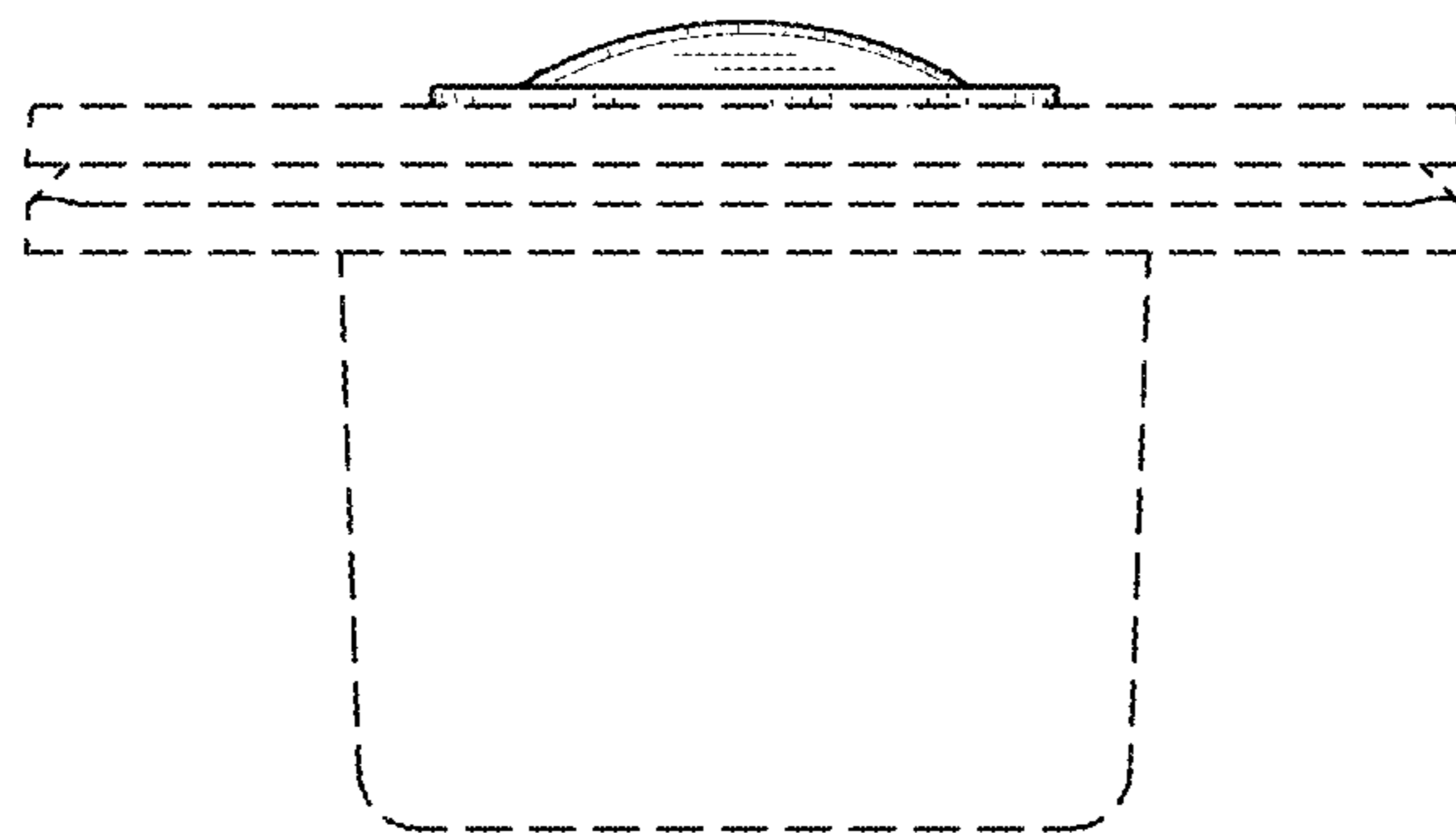


Fig. 6

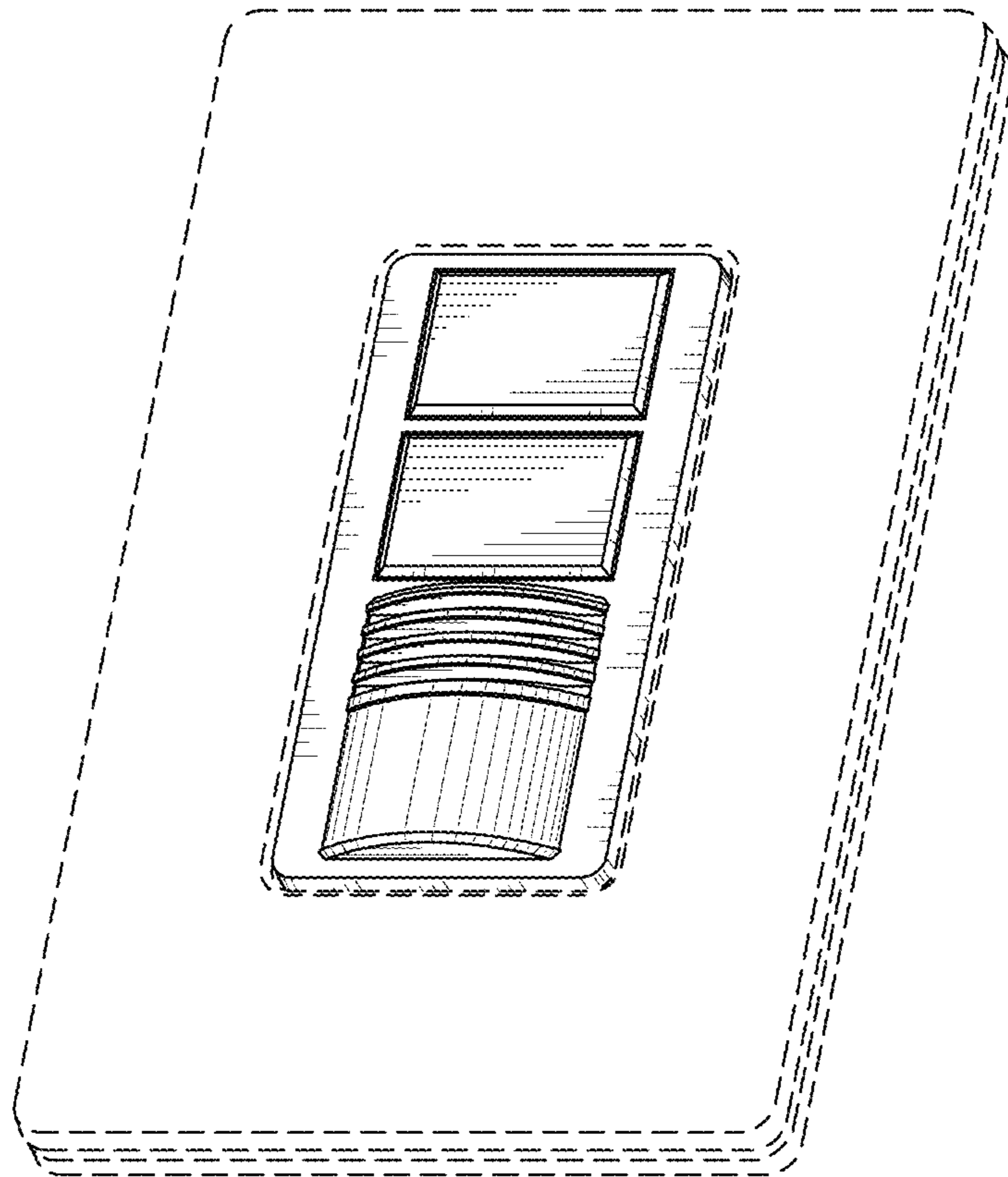


Fig. 7

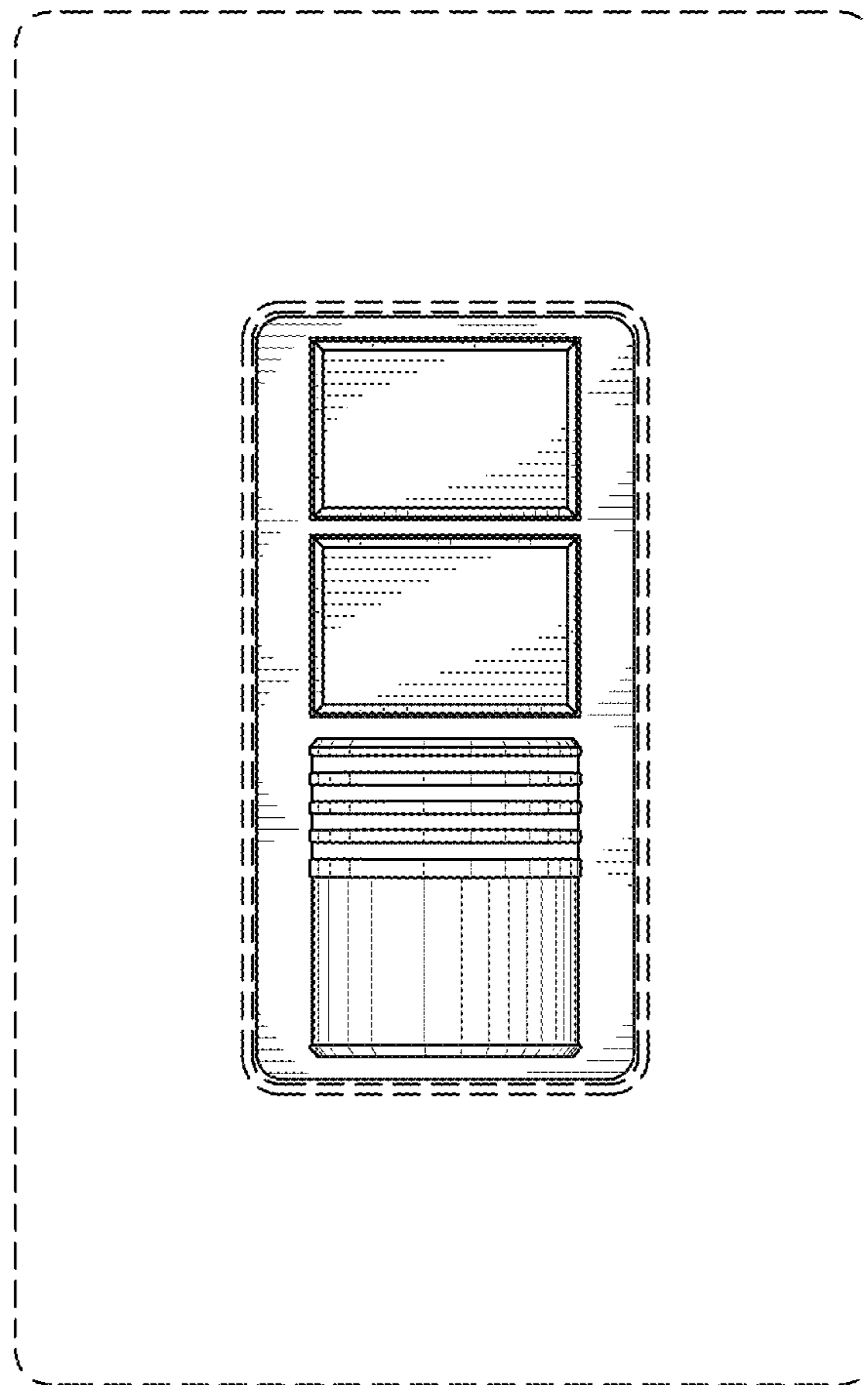


Fig. 8

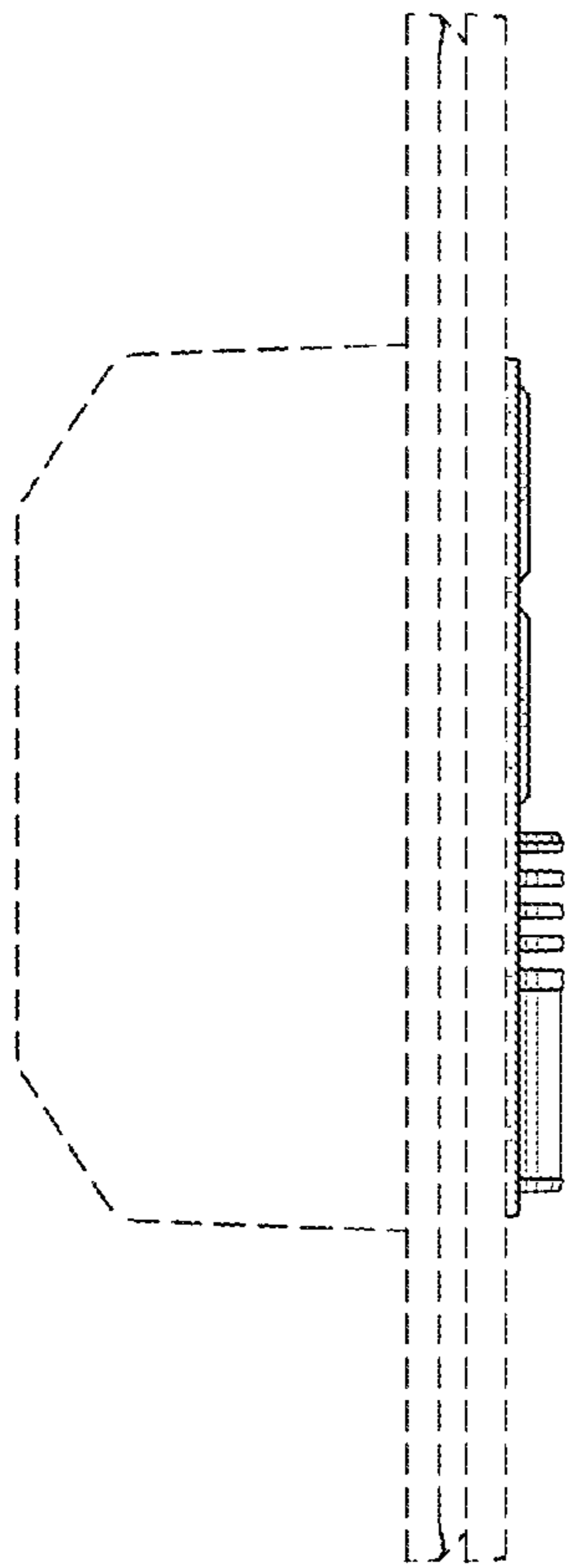


Fig. 9

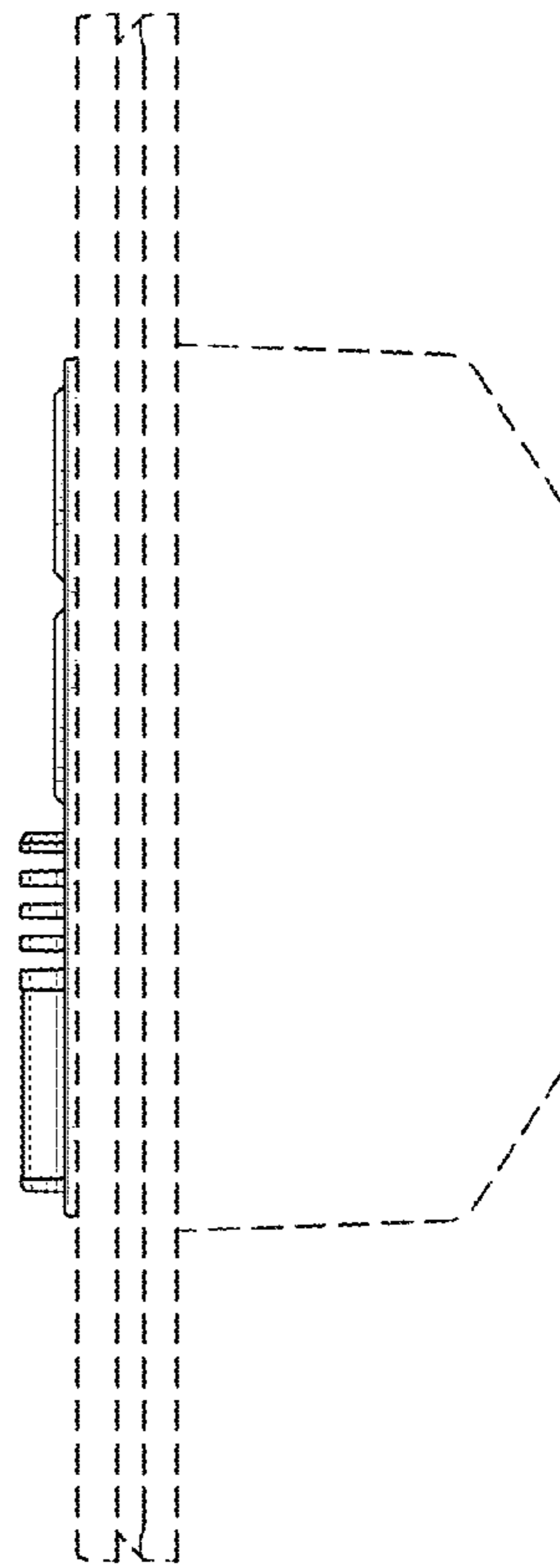


Fig. 10

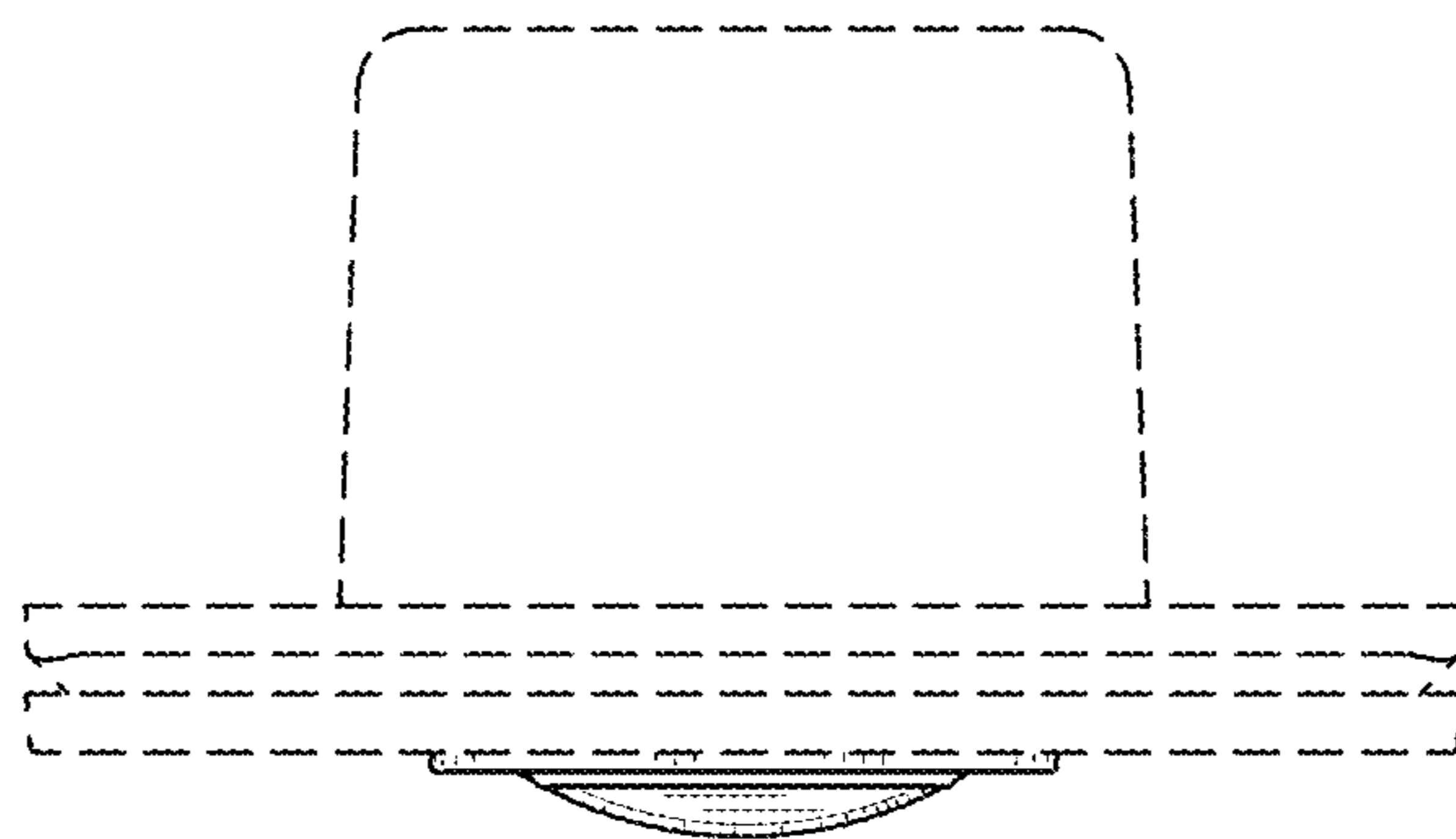


Fig. 11

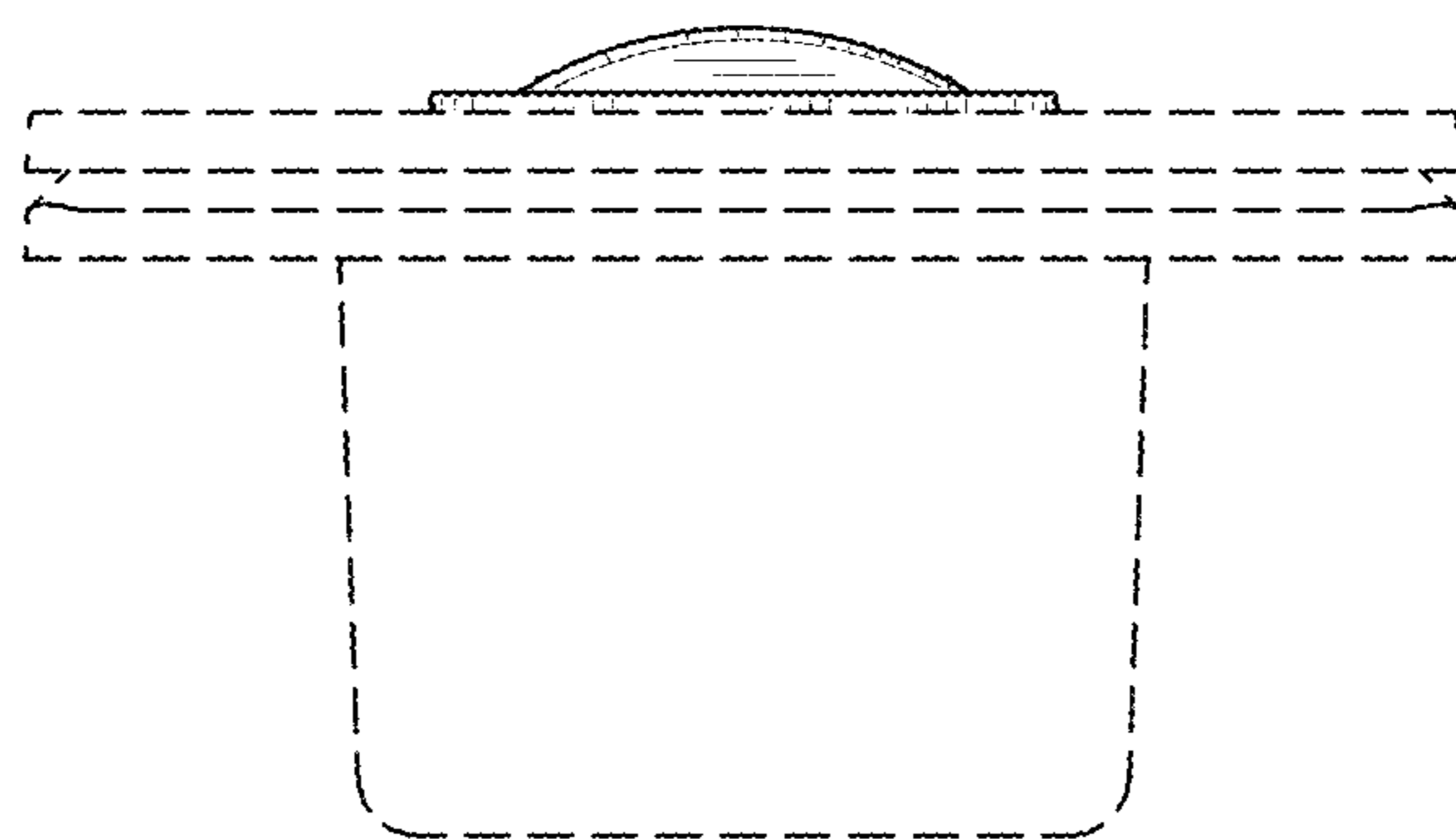


Fig. 12