



US00D707187S

(12) **United States Design Patent**
Mauchle et al.

(10) **Patent No.:** **US D707,187 S**
(45) **Date of Patent:** **** Jun. 17, 2014**

(54) **CONTROL UNIT FOR POWDER SPRAY APPLICATIONS**

(71) Applicants: **Felix Mauchle**, Abtwil (CH); **Mario Vasella**, Trubbach (CH)

(72) Inventors: **Felix Mauchle**, Abtwil (CH); **Mario Vasella**, Trubbach (CH)

(73) Assignee: **Gema Switzerland GmbH**, St. Gallen (CH)

(**) Term: **14 Years**

(21) Appl. No.: **29/461,114**

(22) Filed: **Jul. 18, 2013**

Related U.S. Application Data

(62) Division of application No. 29/396,477, filed on Jun. 30, 2011, now Pat. No. Des. 696,210.

(30) **Foreign Application Priority Data**

Dec. 30, 2010 (EM) 001252928

(51) **LOC (10) Cl.** **13-03**

(52) **U.S. Cl.**
USPC **D13/162**

(58) **Field of Classification Search**
USPC D13/162, 164; 118/308, 663; 239/600, 239/690; 427/180
See application file for complete search history.

(56) **References Cited**

U.S. PATENT DOCUMENTS

D366,460 S * 1/1996 Jorgenson D13/177
D388,769 S * 1/1998 Pritchard et al. D13/162

D404,391 S * 1/1999 Herbstritt et al. D13/162
D567,188 S * 4/2008 Mauchle et al. D13/164
D575,239 S * 8/2008 Shah D13/162
7,423,555 B2 * 9/2008 Chai 341/22
D581,879 S * 12/2008 Dukerschein et al. D13/162
D606,033 S * 12/2009 Sonntag D13/184
D607,843 S * 1/2010 Borax D13/162
D608,302 S * 1/2010 Liu D13/164
D611,007 S * 3/2010 Kangas D13/164
D653,626 S * 2/2012 Grunwald et al. D13/164
D696,210 S * 12/2013 Mauchle et al. D13/164

* cited by examiner

Primary Examiner — Selina Sikder

(74) *Attorney, Agent, or Firm* — Lowe Hauptman & Ham LLP

(57) **CLAIM**

The ornamental design for a control unit for powder spray applications, as shown and described.

DESCRIPTION

FIG. 1 is a left-front-top perspective view of a control unit for powder spray applications that bears the design in accordance with a first embodiment;

FIG. 2 is a left-rear-top perspective view of the control unit according to FIG. 1;

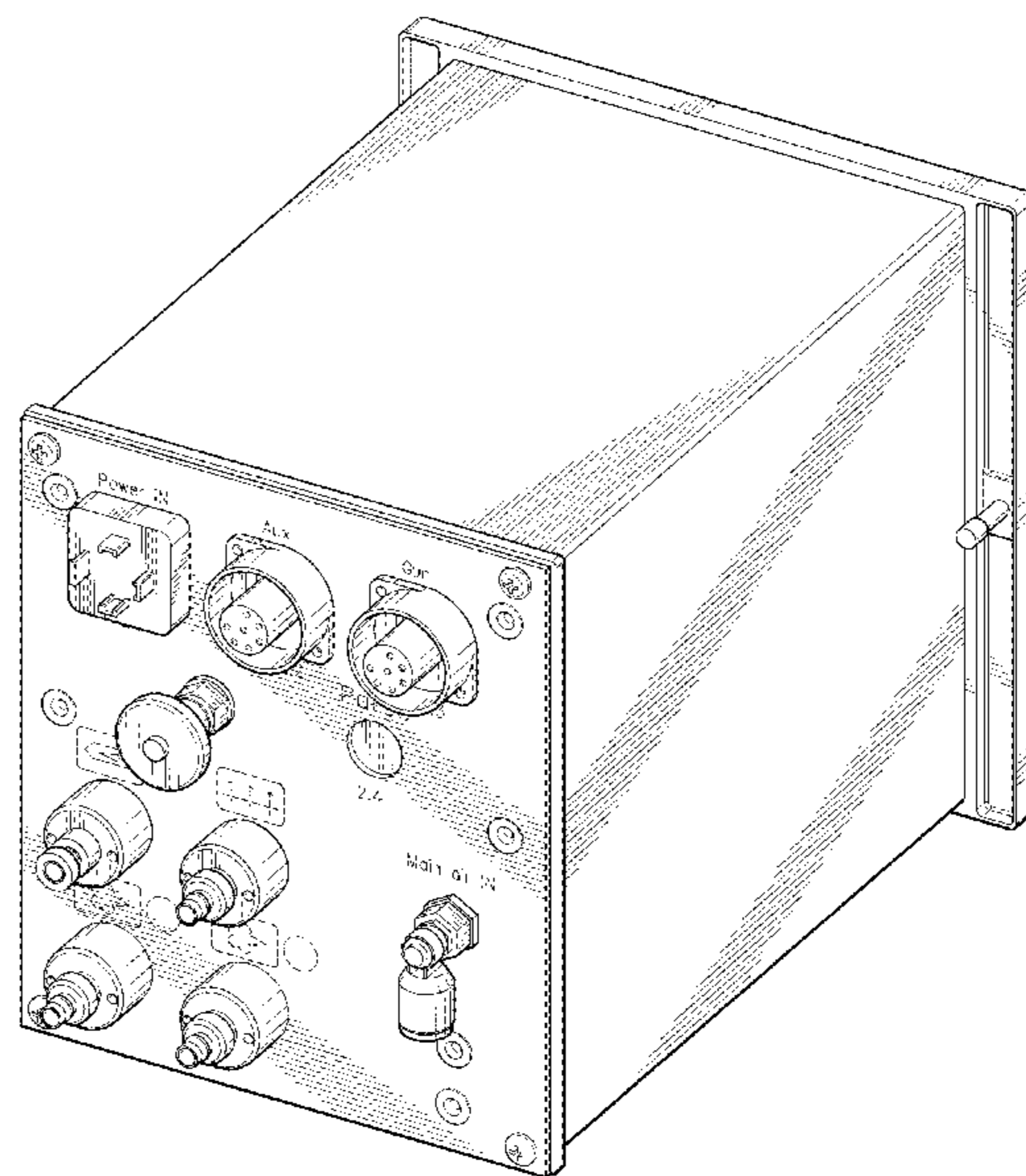
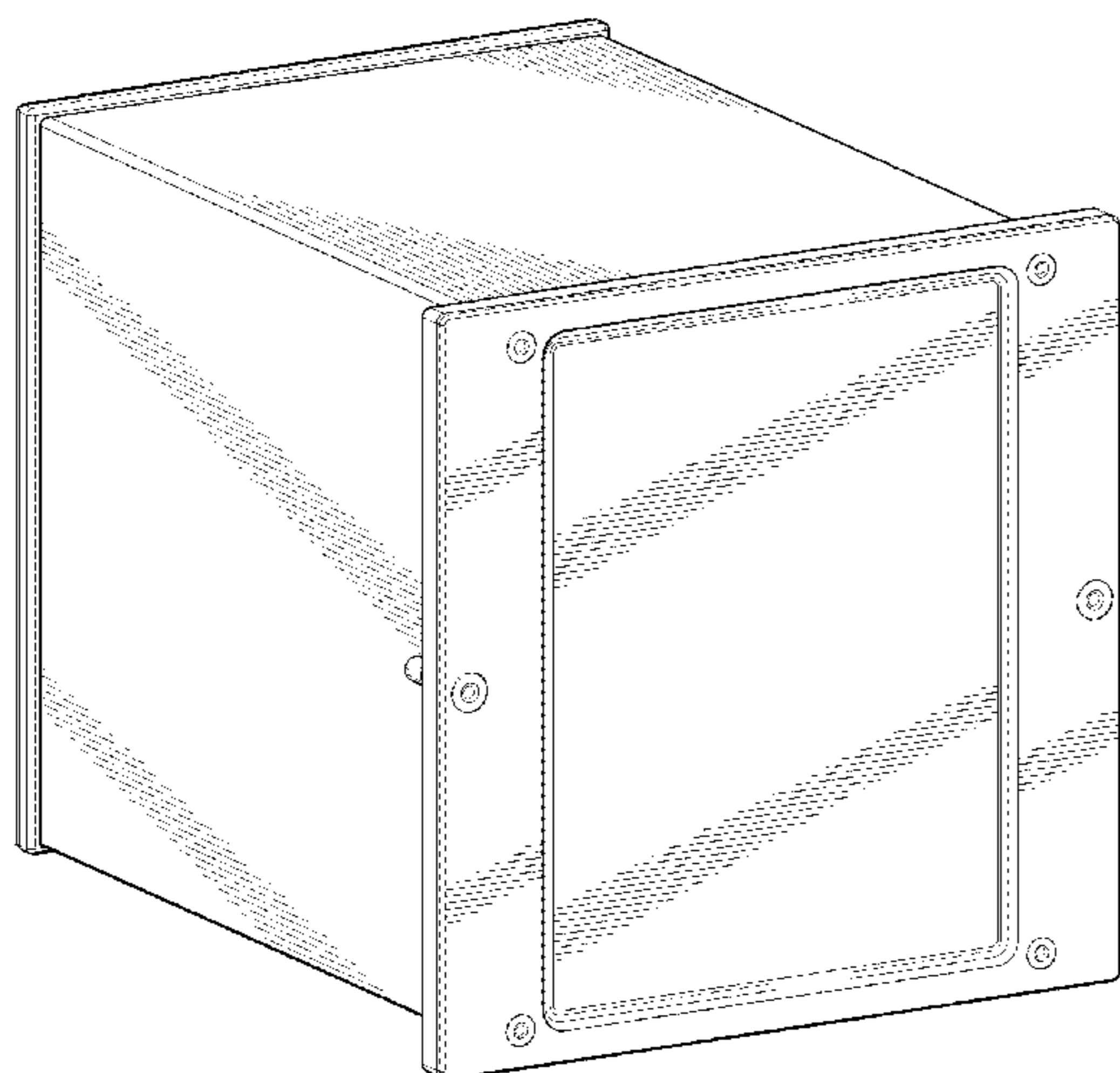
FIG. 3 is a front view of the control unit according to FIG. 1; FIG. 4 is a rear view of the control unit according to FIG. 1; FIG. 5 is a right side view of the control unit according to FIG. 1;

FIG. 6 is a top view of the control unit according to FIG. 1; and,

FIG. 7 is a bottom view of the control unit according to FIG. 1.

The broken lines in the drawings form no part of the claimed design.

1 Claim, 7 Drawing Sheets



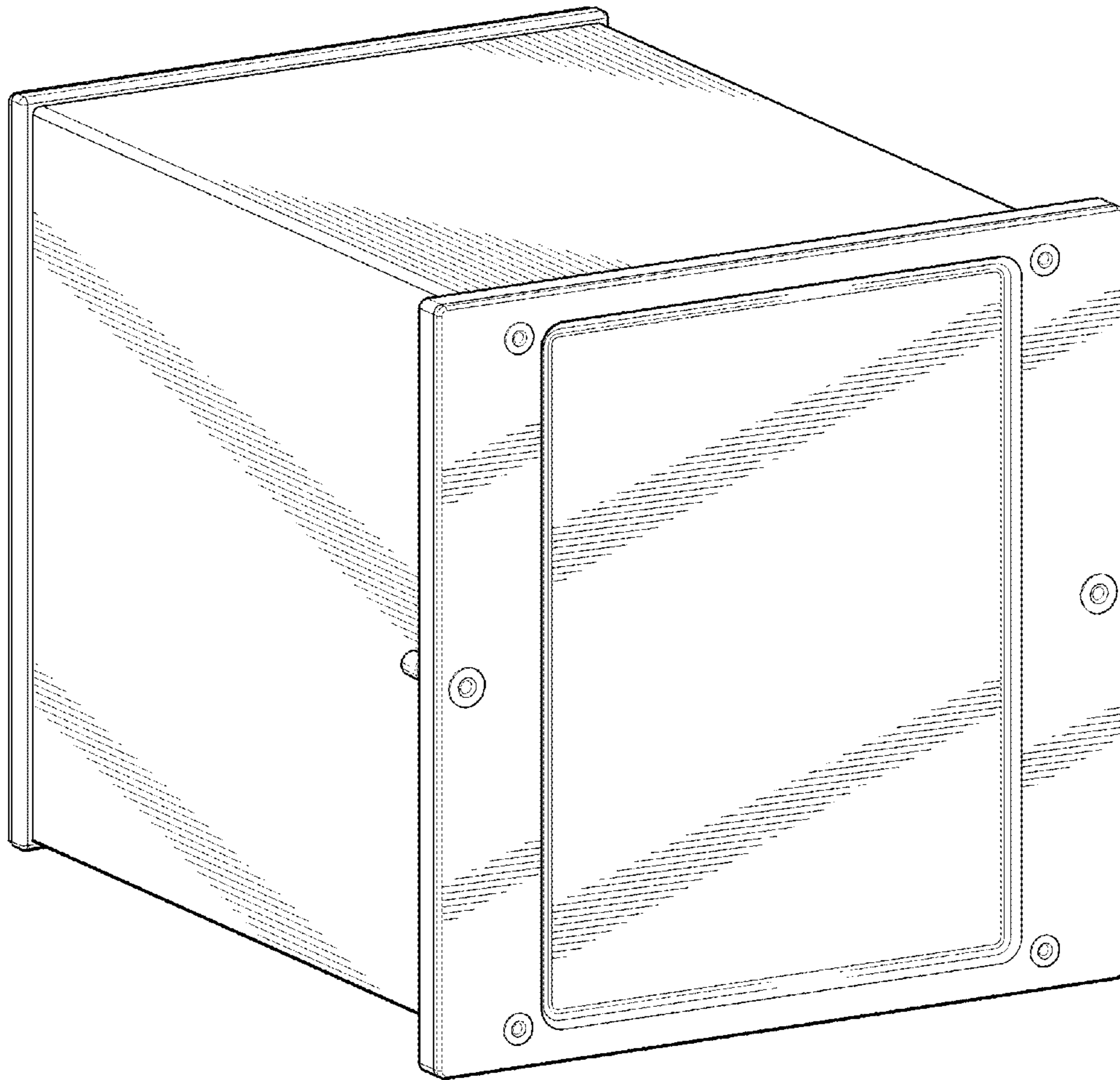


Fig. 1

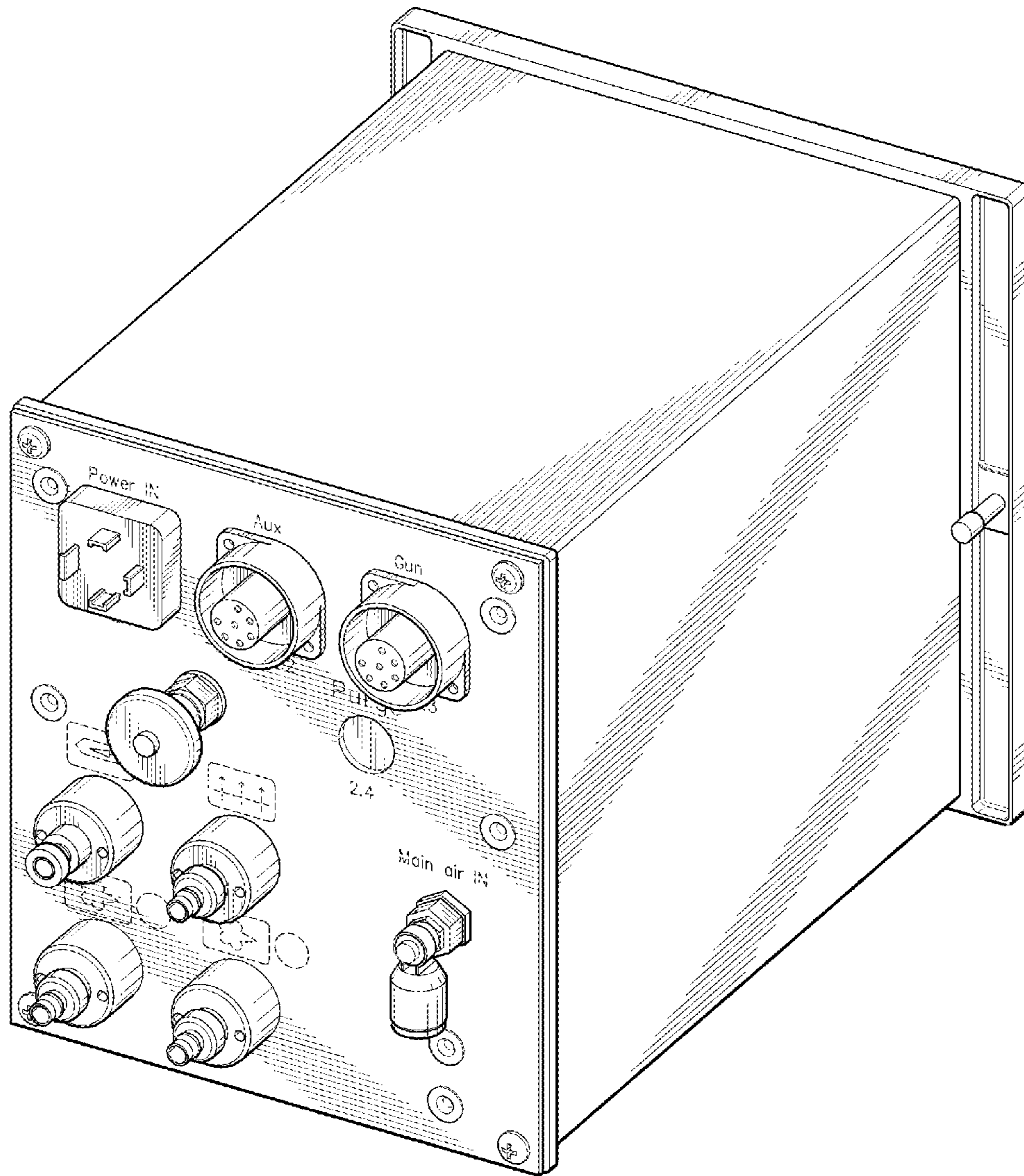


Fig. 2

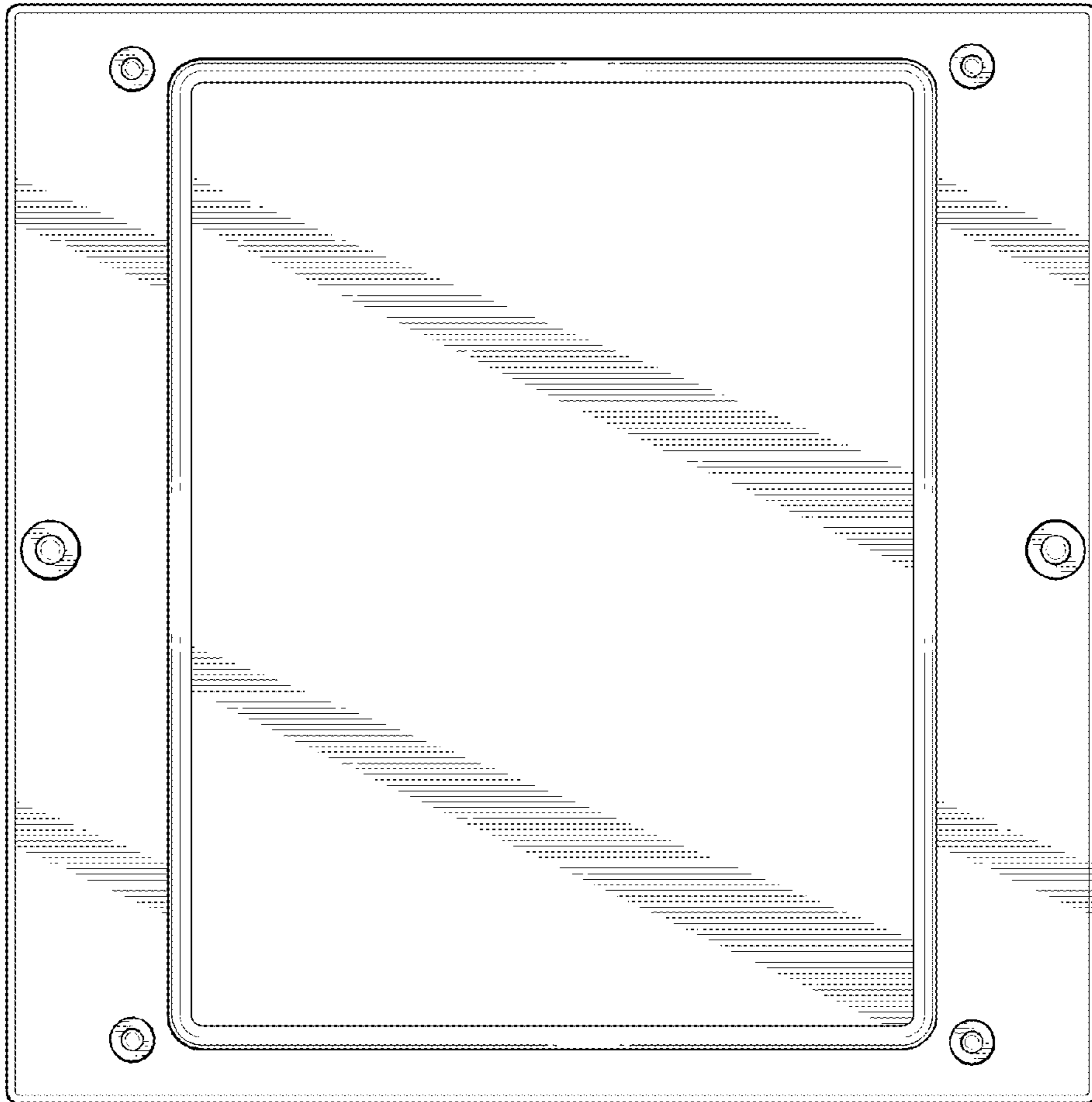


Fig. 3

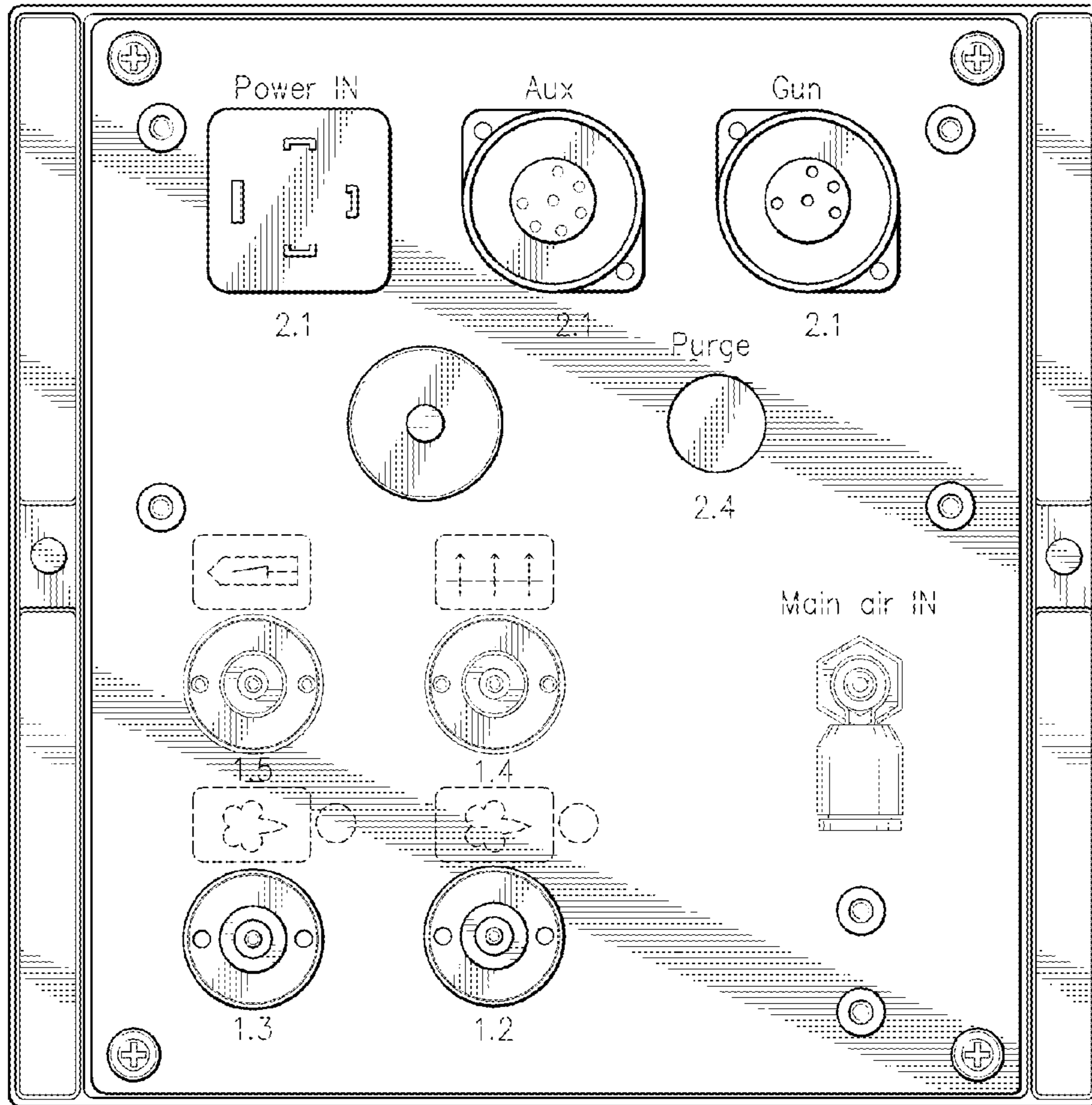


Fig. 4

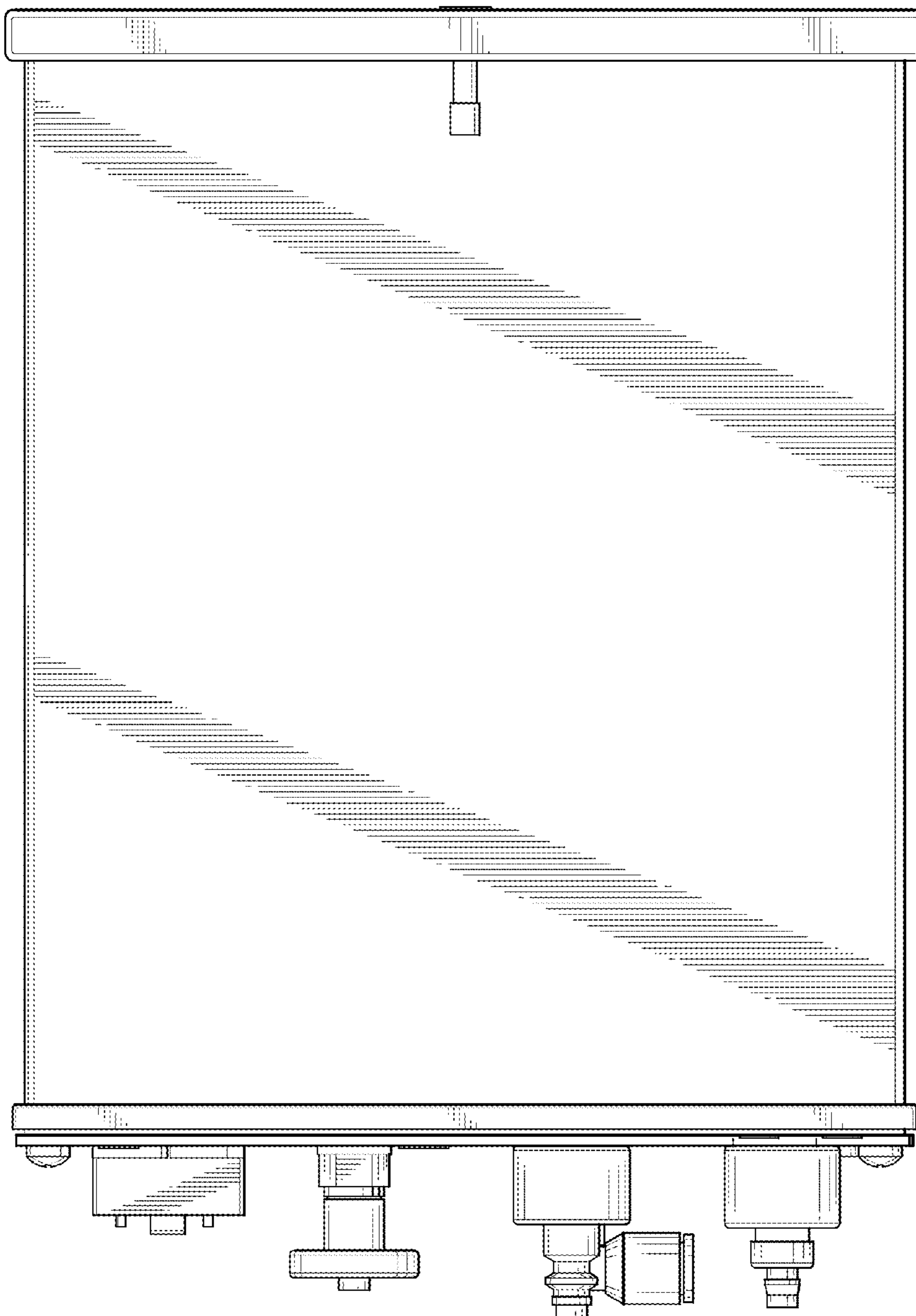


Fig. 5

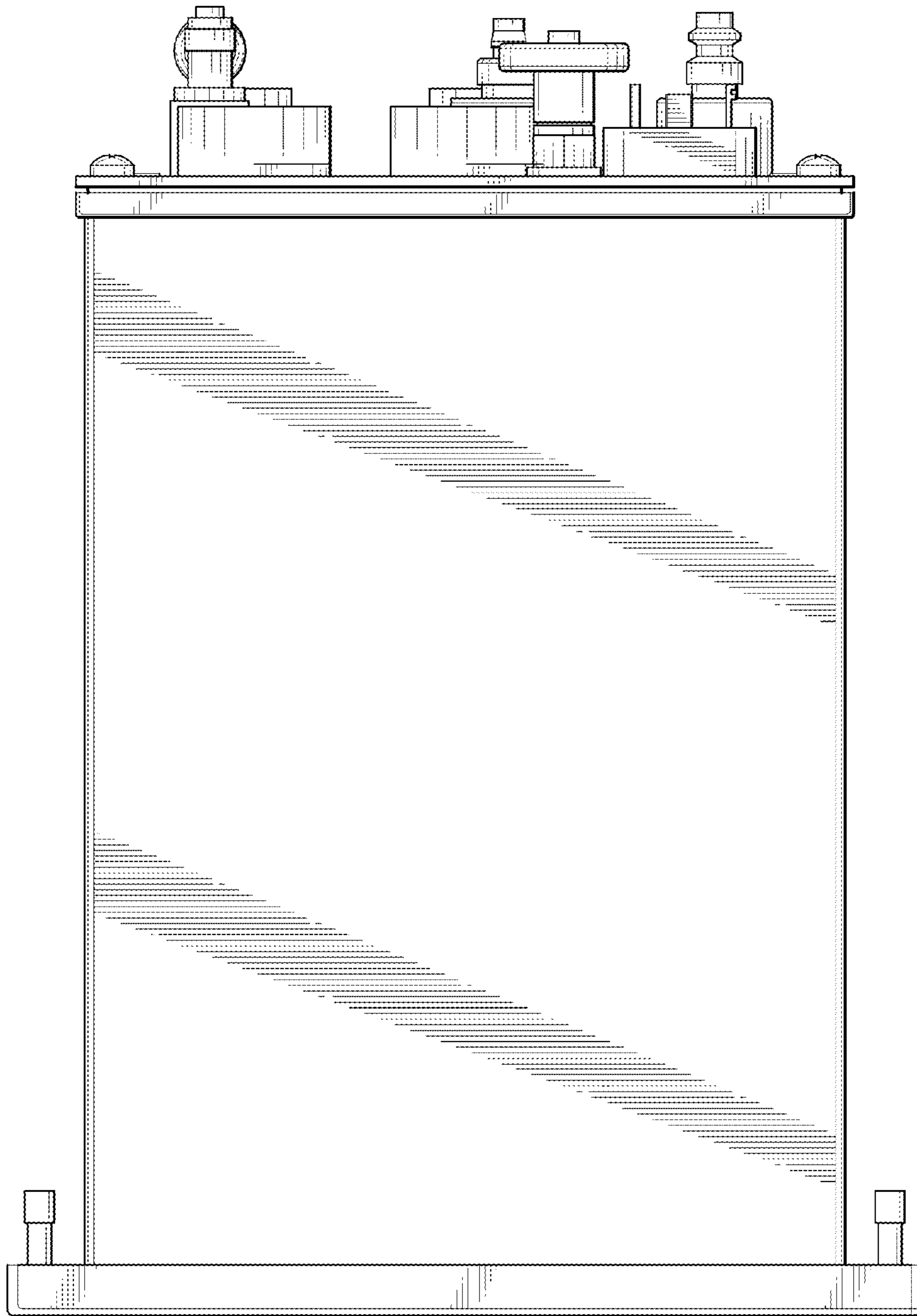


Fig. 6

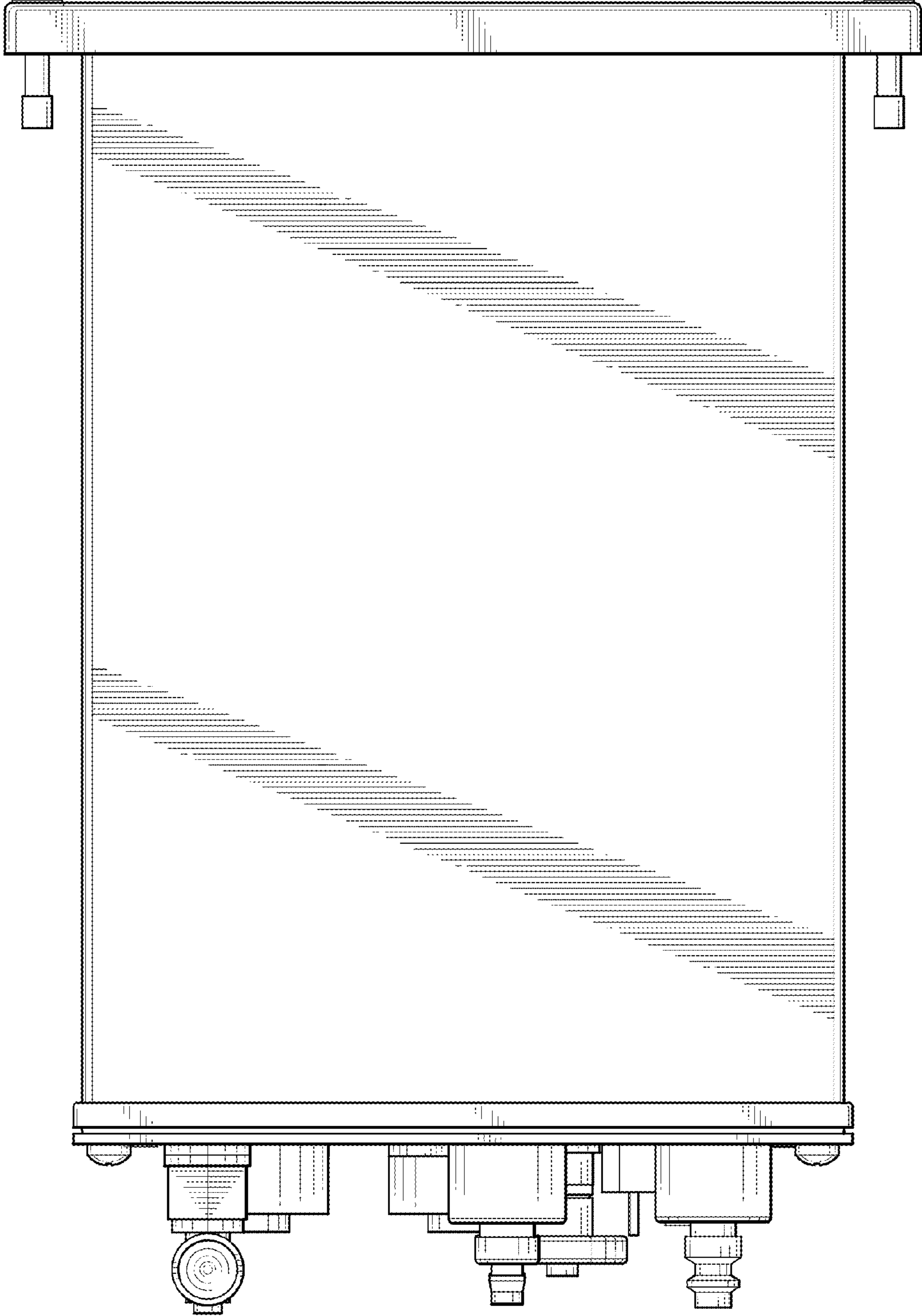


Fig. 7