



US00D707185S

(12) **United States Design Patent**
Kline

(10) **Patent No.:** **US D707,185 S**
(45) **Date of Patent:** **** Jun. 17, 2014**

(54) **PROFILE FOR A CO-EXTRUSION**
(71) Applicant: **Laird Technologies, Inc.**, Earth City,
MO (US)

3,915,462 A 10/1975 Bruns et al.
4,094,515 A 6/1978 Araya et al.
D275,174 S 8/1984 Rolli
4,750,847 A 6/1988 Boyd
5,040,905 A 8/1991 Boyd

(72) Inventor: **James E. Kline**, Blairstown, NJ (US)

(Continued)

(73) Assignee: **Laird Technologies, Inc.**, Earth City,
MO (US)

FOREIGN PATENT DOCUMENTS

(**) Term: **14 Years**

CN 301792616 S 1/2012

(21) Appl. No.: **29/467,861**

OTHER PUBLICATIONS

(22) Filed: **Sep. 24, 2013**

U.S. Appl. No. 29/387,769, filed Mar. 17, 2011, Ball.

(Continued)

Related U.S. Application Data

(62) Division of application No. 29/391,277, filed on May
5, 2011, now Pat. No. Des. 690,272.

Primary Examiner — Derrick Holland

Assistant Examiner — Lauren Calve

(51) **LOC (10) Cl.** **13-03**

(74) *Attorney, Agent, or Firm* — Harness, Dickey & Pierce,
PLC

(52) **U.S. Cl.**
USPC **D13/155**

(58) **Field of Classification Search**
USPC 111/146, 147, 149, 153, 154, 155, 156,
111/157, 158, 160, 173, 184, 199; 277/530,
277/566, 594, 602, 612, 626, 628, 639, 647,
277/649; 174/34, 355; D8/356, 364; 52/312
See application file for complete search history.

(57) **CLAIM**

The ornamental design for a profile for a co-extrusion, as
shown and described.

(56) **References Cited**

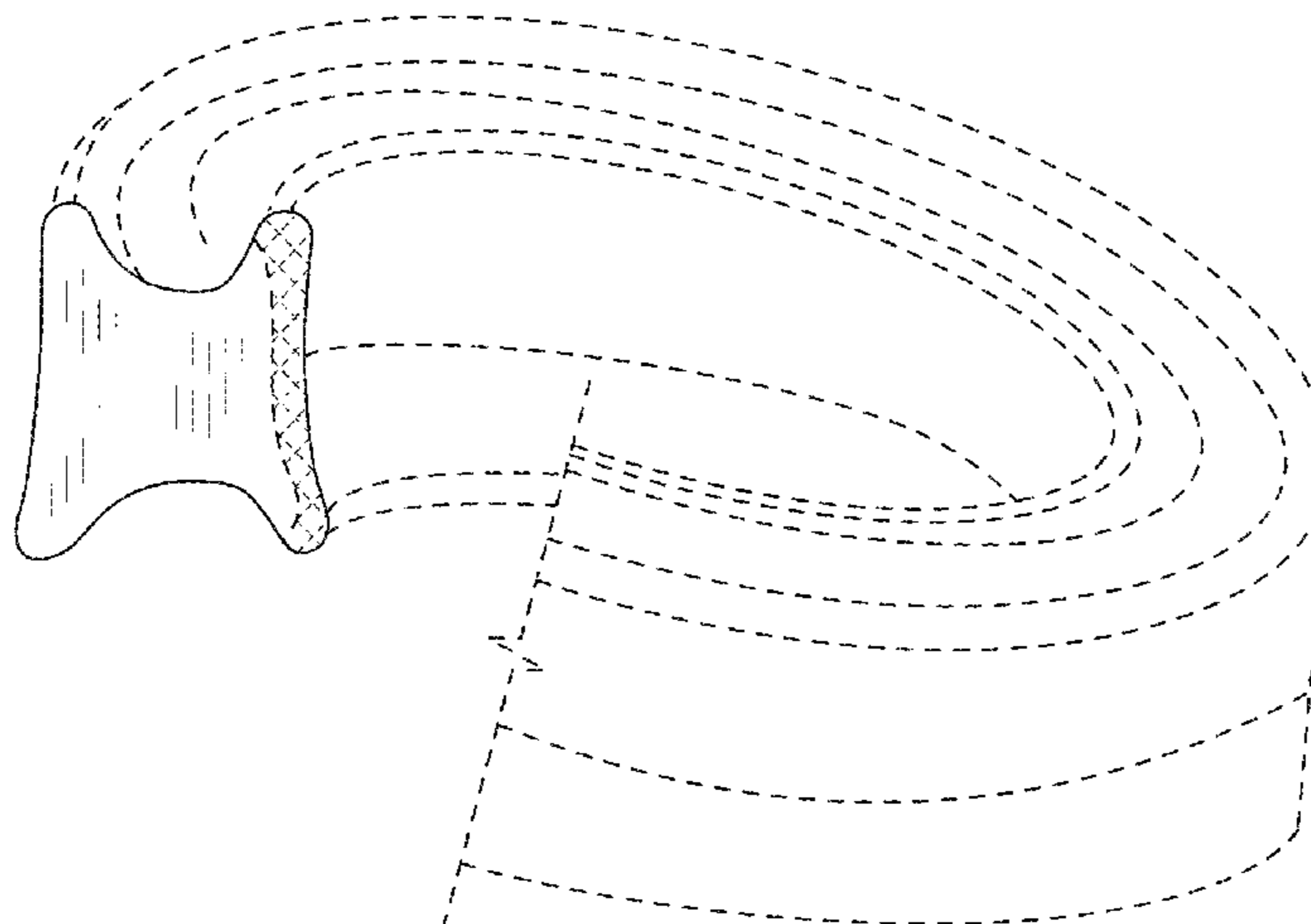
DESCRIPTION

U.S. PATENT DOCUMENTS

1,788,496 A * 1/1931 Smith et al. 277/530
D114,239 S 4/1939 Ryan
RE24,332 E 6/1957 Svenson
2,898,000 A 8/1959 Hanny
3,019,500 A 2/1962 Bernard et al.
3,098,660 A 7/1963 Johann
3,542,380 A 11/1970 Klaus et al.
D224,787 S 9/1972 Shlesinger
3,768,819 A * 10/1973 Burkert 277/647

FIG. 1 is a front view of a profile for a co-extrusion showing
my new design;
FIG. 2 is a rear view thereof;
FIG. 3 is a top view thereof;
FIG. 4 is a bottom plan view thereof;
FIG. 5 is a left side view thereof;
FIG. 6 is a right side view thereof;
FIG. 7 is a first perspective view thereof; and,
FIG. 8 is a second perspective view thereof.
The broken lines represent unclaimed subject matter and
form no part of the claimed design. The diagonal broken lines
in in FIGS. 3-8 indicate indeterminate length and form no part
of the claimed design.

1 Claim, 6 Drawing Sheets



(56)

References Cited

U.S. PATENT DOCUMENTS

6,182,837 B1 2/2001 Crabtree
6,540,234 B1 4/2003 Atkinson et al.
6,905,125 B2 * 6/2005 Shibata et al. 277/626
8,292,301 B1 * 10/2012 Gilstad et al. 277/530
8,297,191 B2 * 10/2012 Schaefer et al. 102/469
8,393,400 B2 * 3/2013 Buckle 166/368

8,403,337 B1 * 3/2013 Gilstad et al. 277/567
D690,272 S * 9/2013 Kline D13/155
2007/0063451 A1 3/2007 Yeager

OTHER PUBLICATIONS

Extruded EMI Gaskets Products & Custom Solutions Catalog; (See p. 33); Copyright 2009; 86 pages.

* cited by examiner

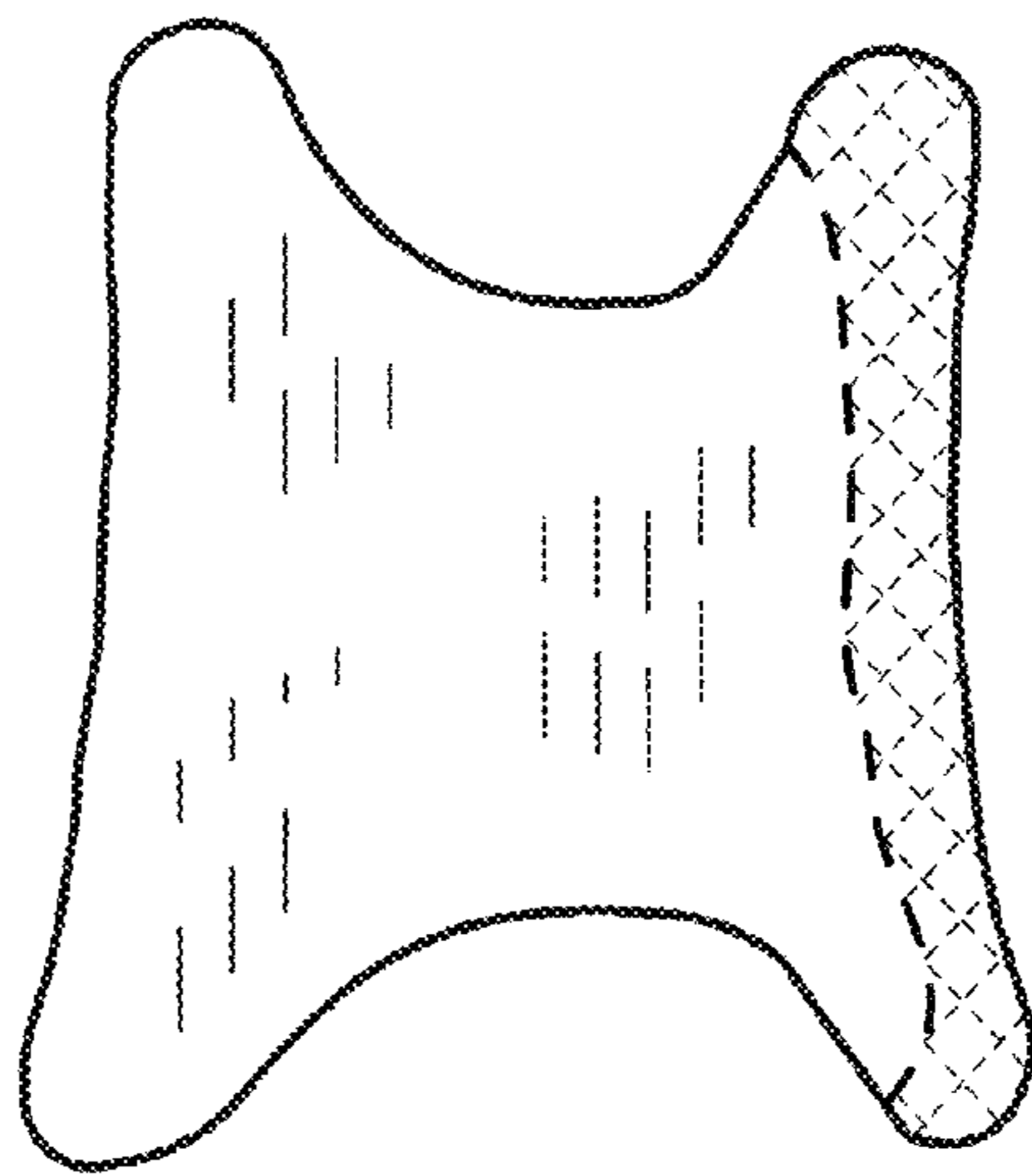


Fig. 1

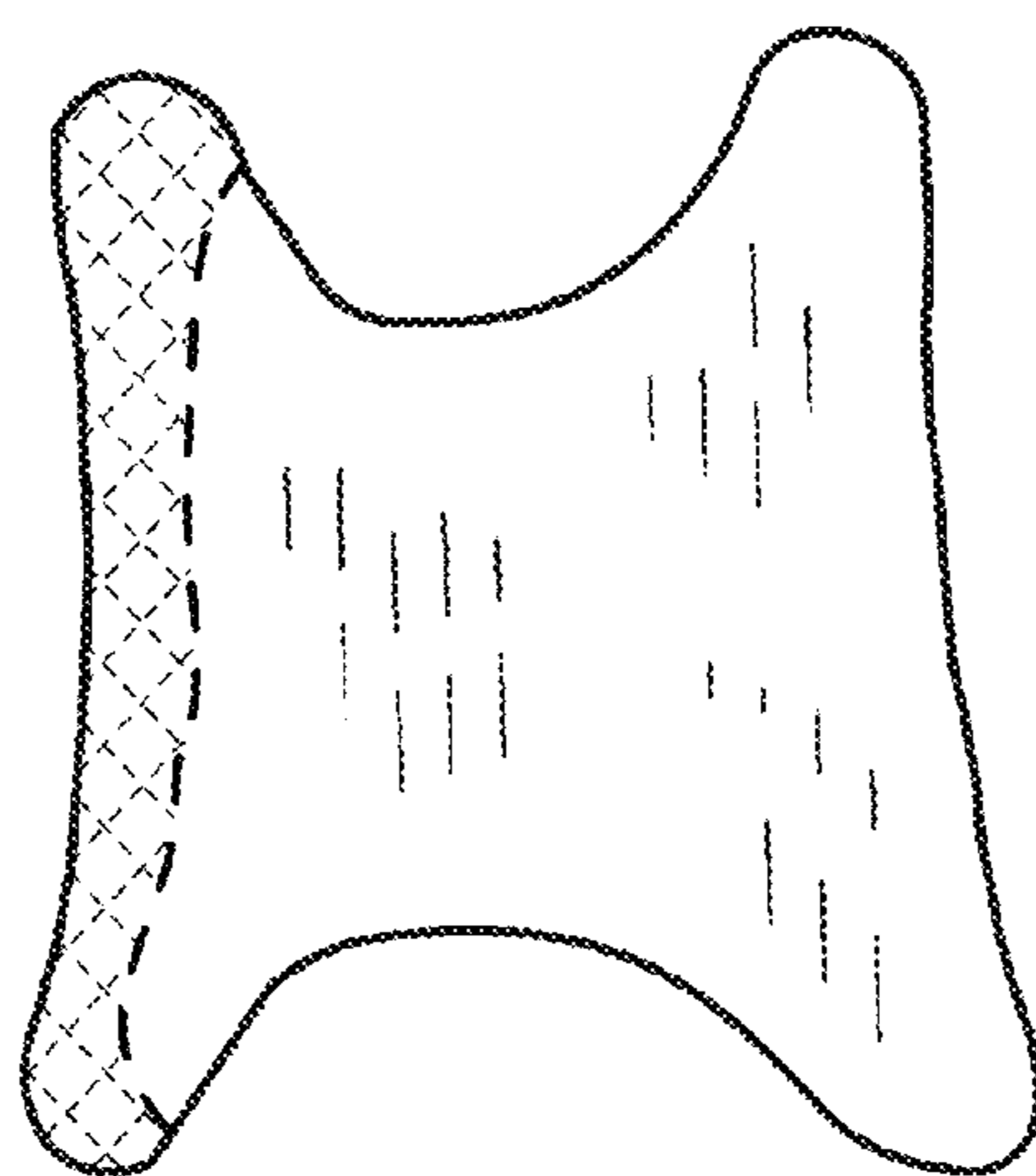


Fig. 2

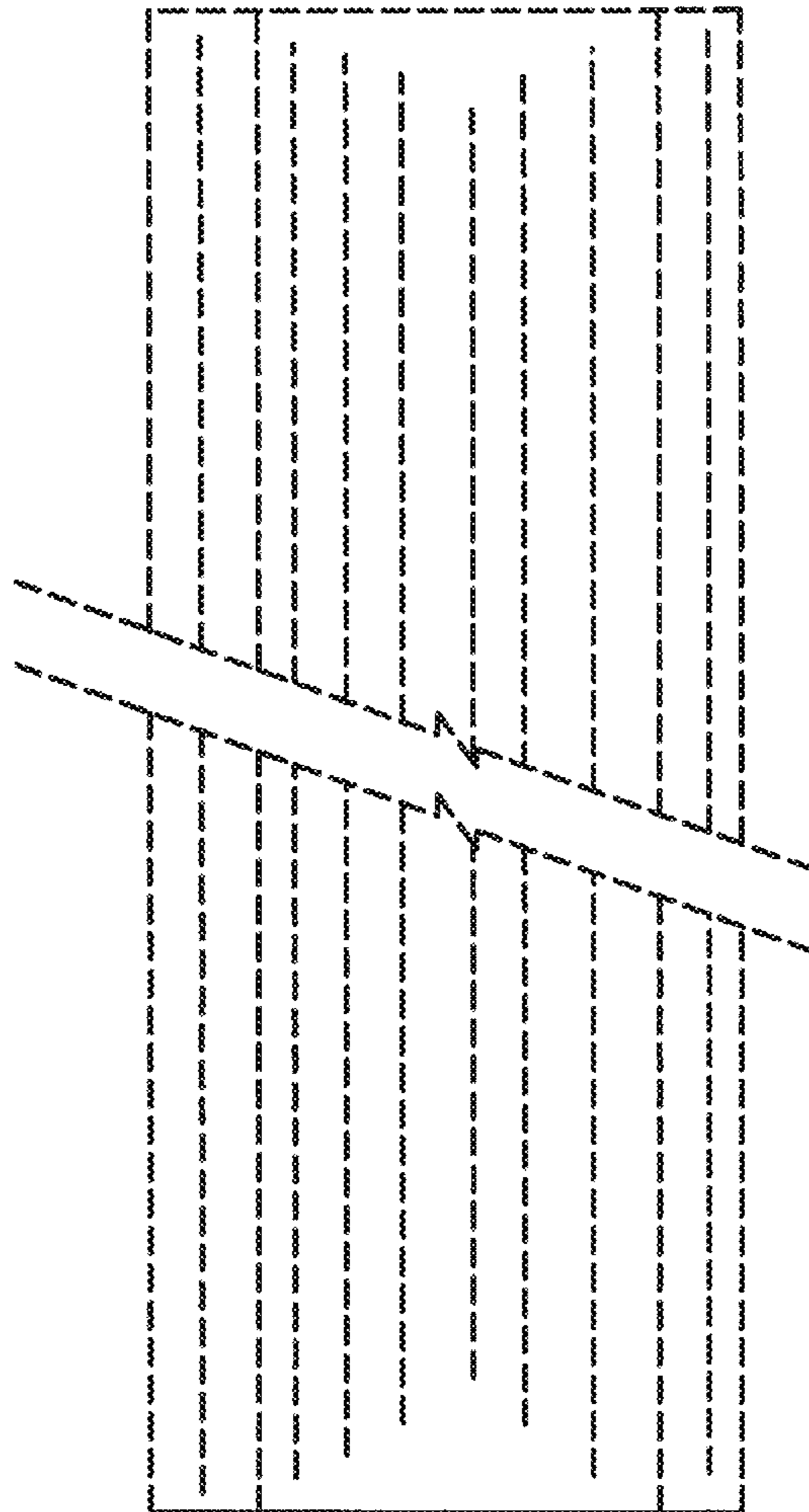


Fig. 3

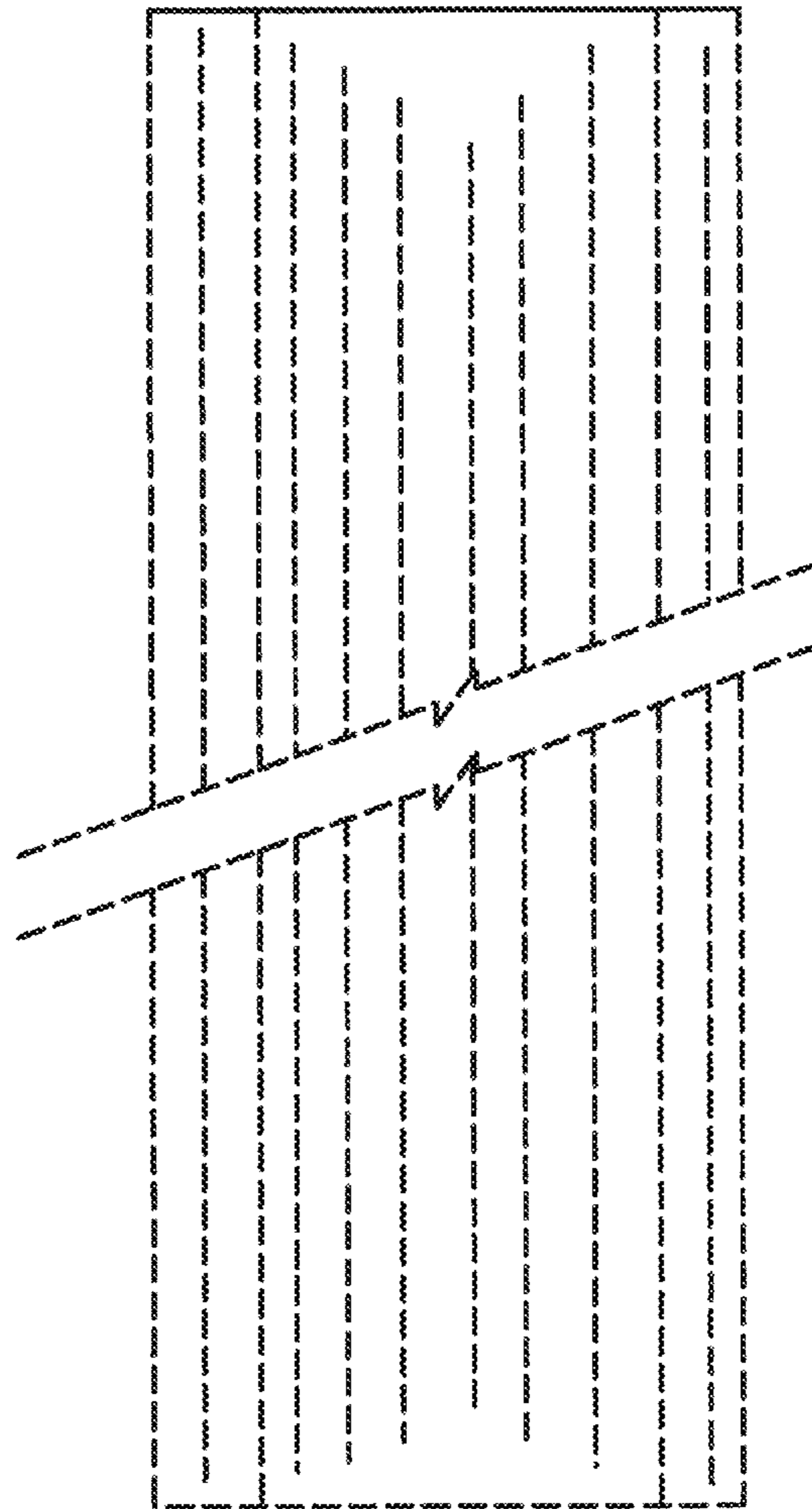


Fig. 4

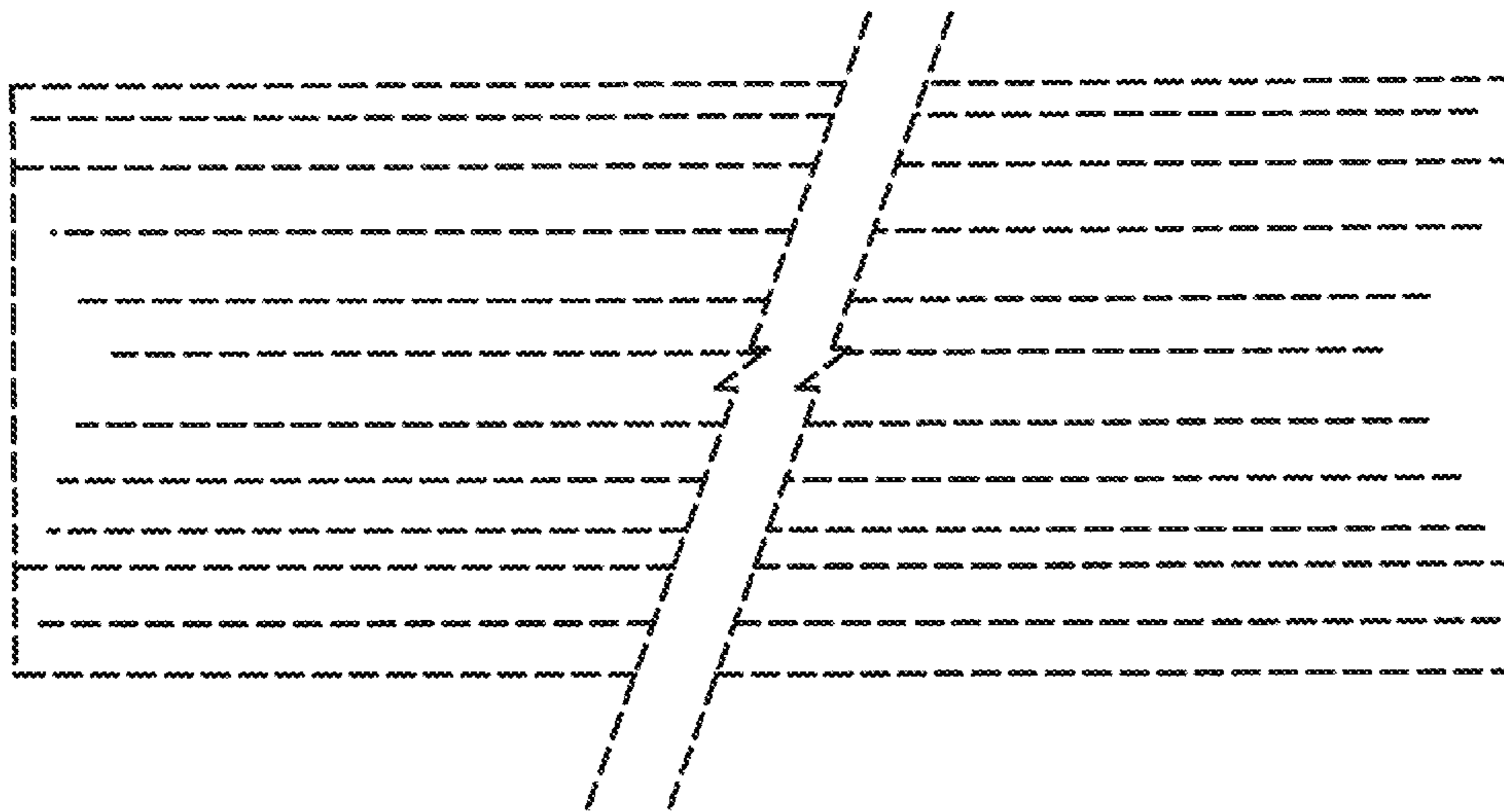


Fig. 5

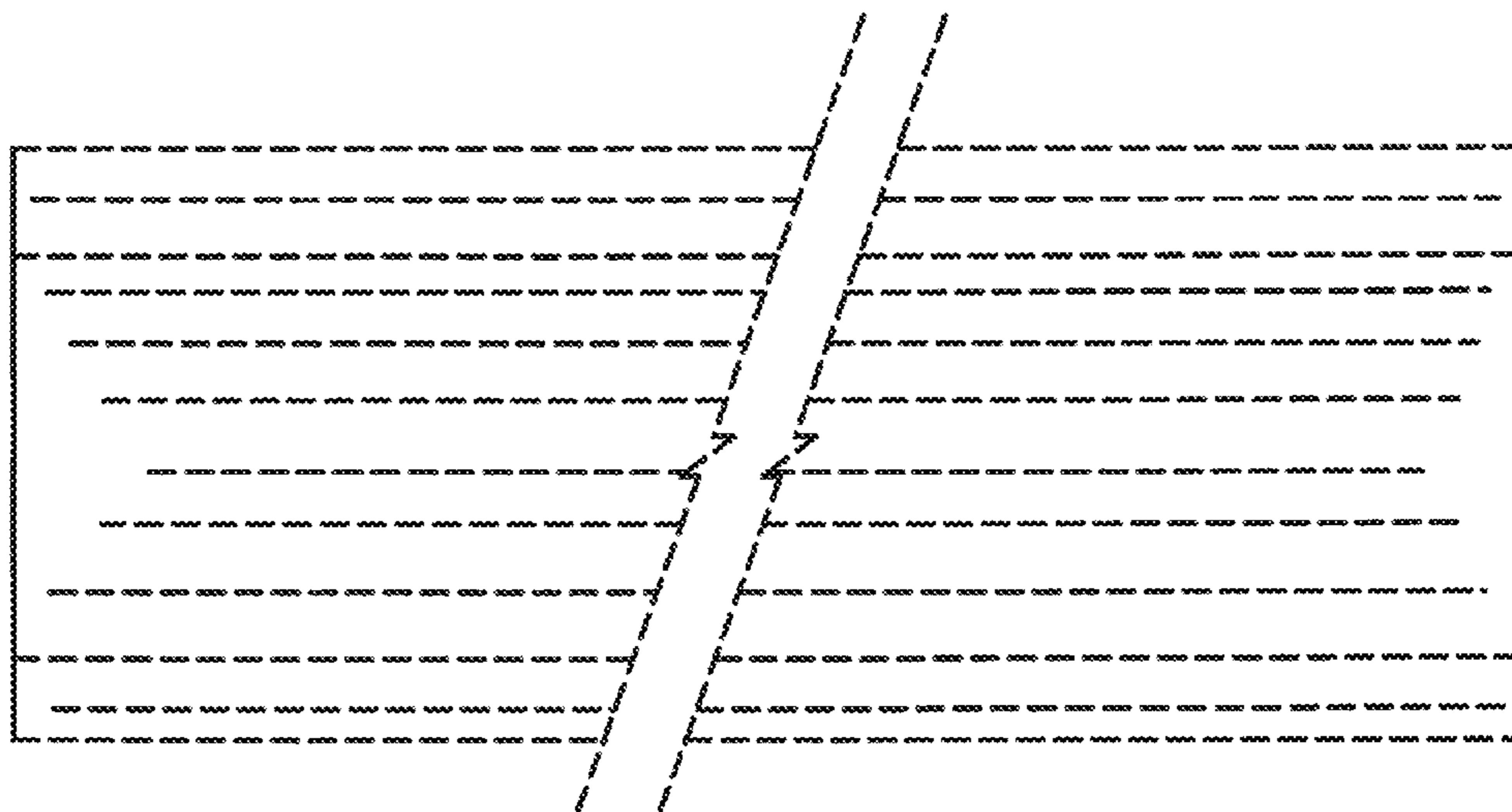


Fig. 6

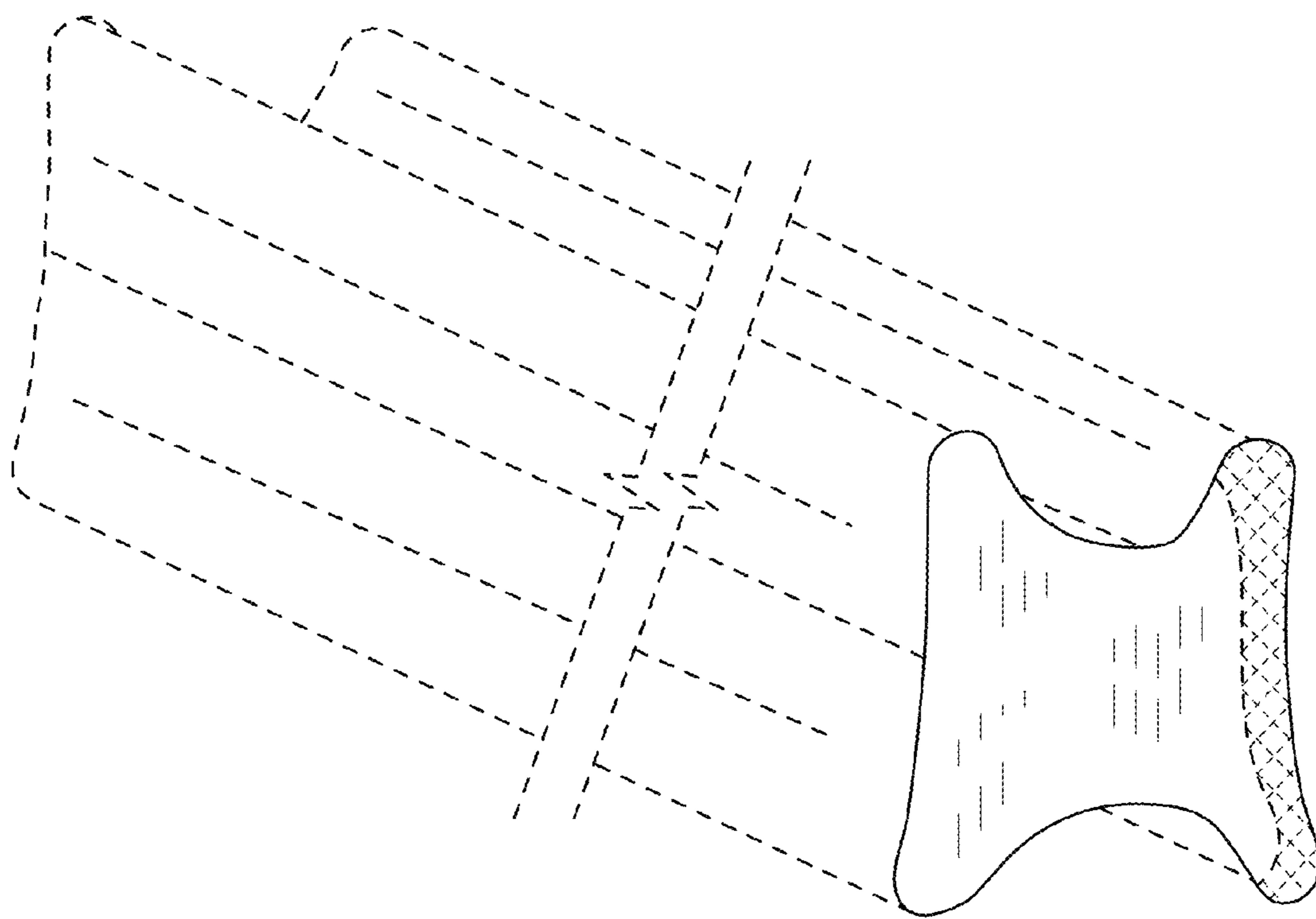


Fig. 7

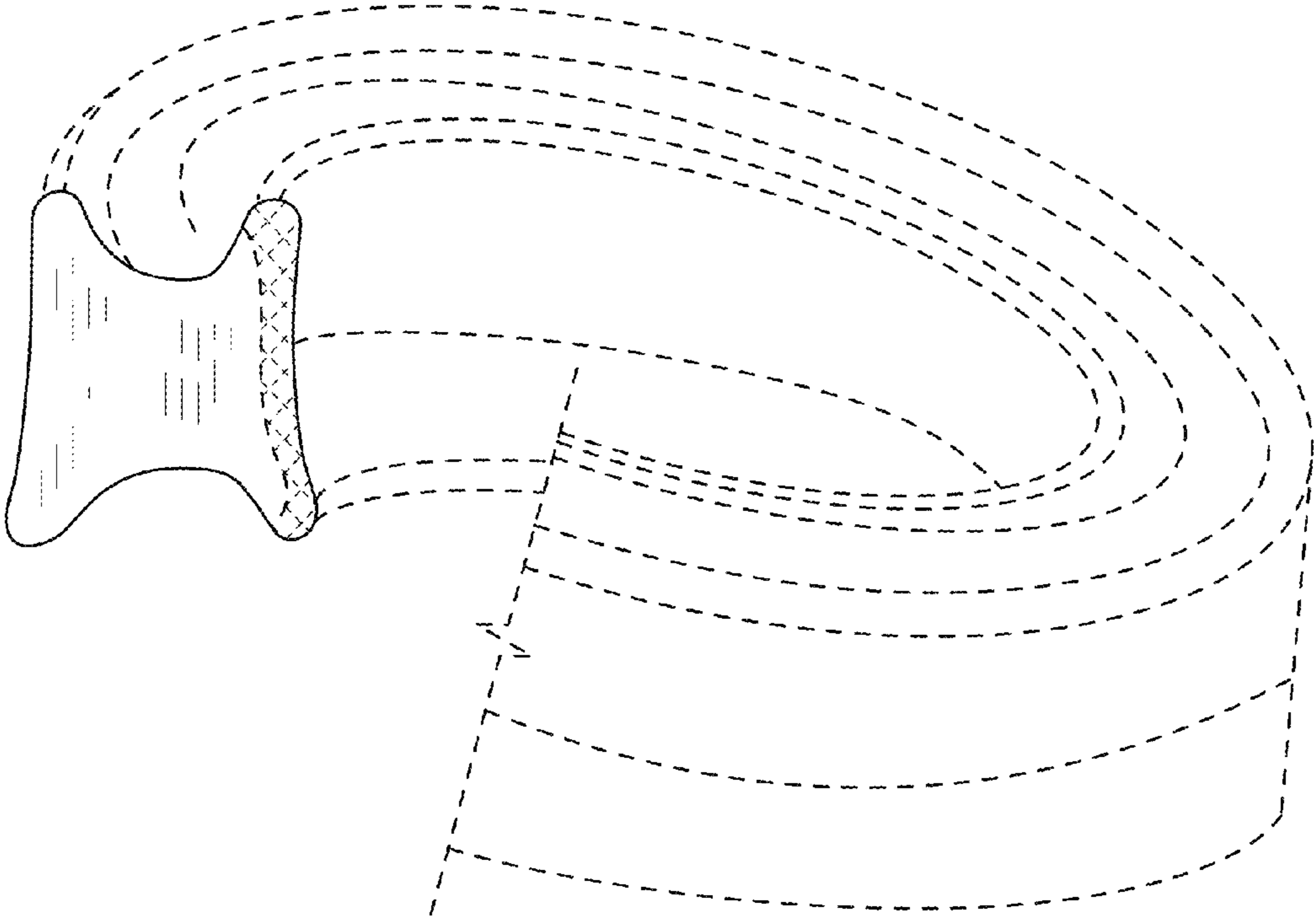


Fig. 8