

US00D707183S

(12) **United States Design Patent**
Villen Hernandez et al.

(10) **Patent No.:** **US D707,183 S**
(45) **Date of Patent:** **** Jun. 17, 2014**

(54) **JUNCTION BOX**

(75) Inventors: **Francisco Villen Hernandez**, Saragossa (ES); **Juan Carlos Campos Sancho**, Saragossa (ES)

(73) Assignee: **Incaelec, S.L.U** (ES)

(**) Term: **14 Years**

(21) Appl. No.: **29/422,808**

(22) Filed: **May 24, 2012**

(30) **Foreign Application Priority Data**

Nov. 25, 2011 (EM) 001953035-001

(51) **LOC (10) Cl.** **13-03**

(52) **U.S. Cl.**
USPC **D13/152**

(58) **Field of Classification Search**

USPC D13/139.5, 161, 137.2, 137.1, 133, 127,
D13/124, 139.8, 139.1, 154, 156, 184, 199,
D13/153, 155, 152, 177, 138.1; D14/205,
D14/228; D7/300.2

See application file for complete search history.

(56) **References Cited**

U.S. PATENT DOCUMENTS

D320,796 S *	10/1991	Smith	D14/240
D507,539 S *	7/2005	Hull et al.	D13/152
D545,765 S *	7/2007	Cockburn	D13/147
D665,363 S *	8/2012	Lin et al.	D13/156

* cited by examiner

Primary Examiner — Robert M Spear

Assistant Examiner — Rhea Shields

(74) *Attorney, Agent, or Firm* — Cantor Colburn LLP

(57) **CLAIM**

We claim, the ornamental design for junction box, as shown and described.

DESCRIPTION

FIG. 1 is a top perspective view of a junction box, showing our new design;

FIG. 2 is a bottom plan view thereof;

FIG. 3 is a first side elevation view thereof;

FIG. 4 is a second side elevation view thereof;

FIG. 5 is a top plan view thereof;

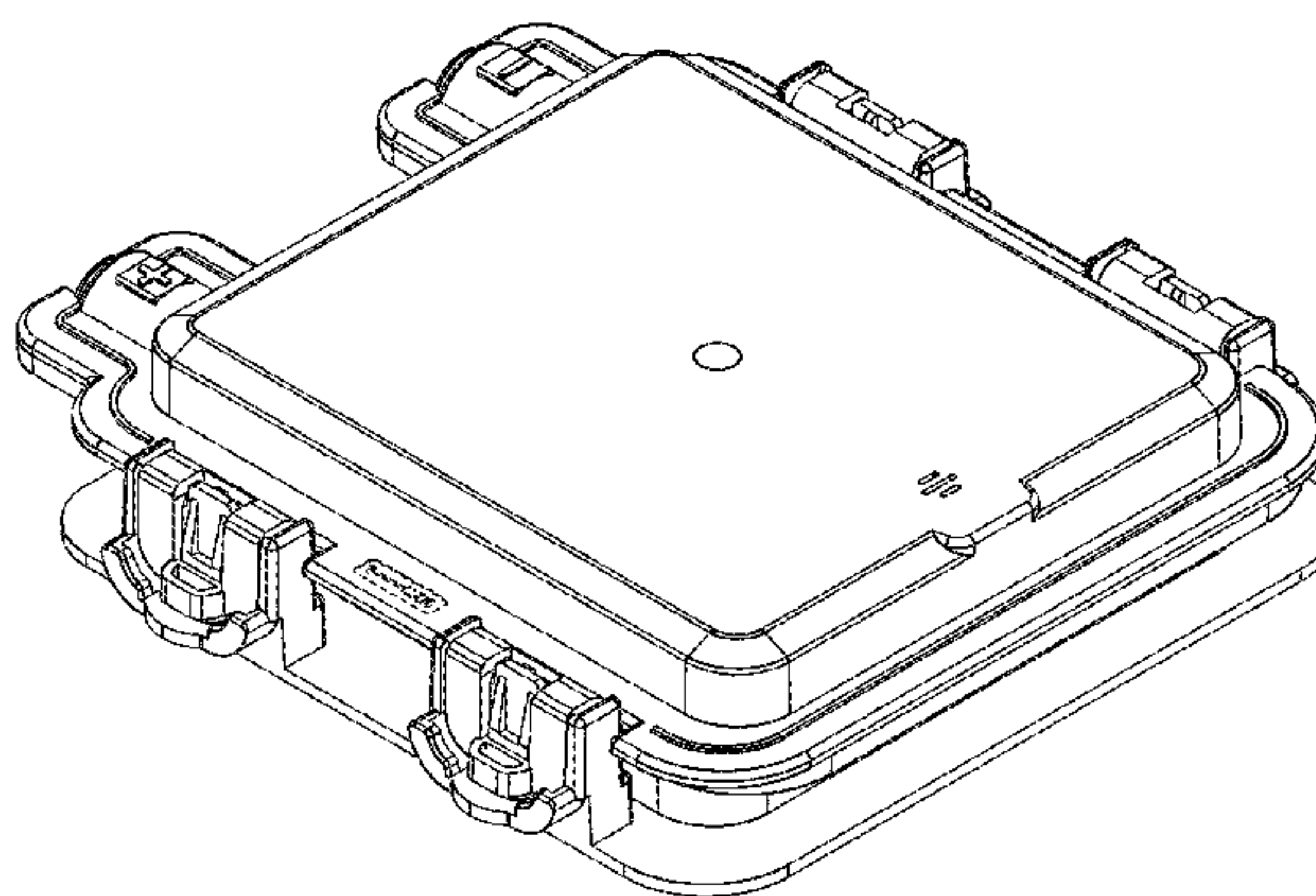
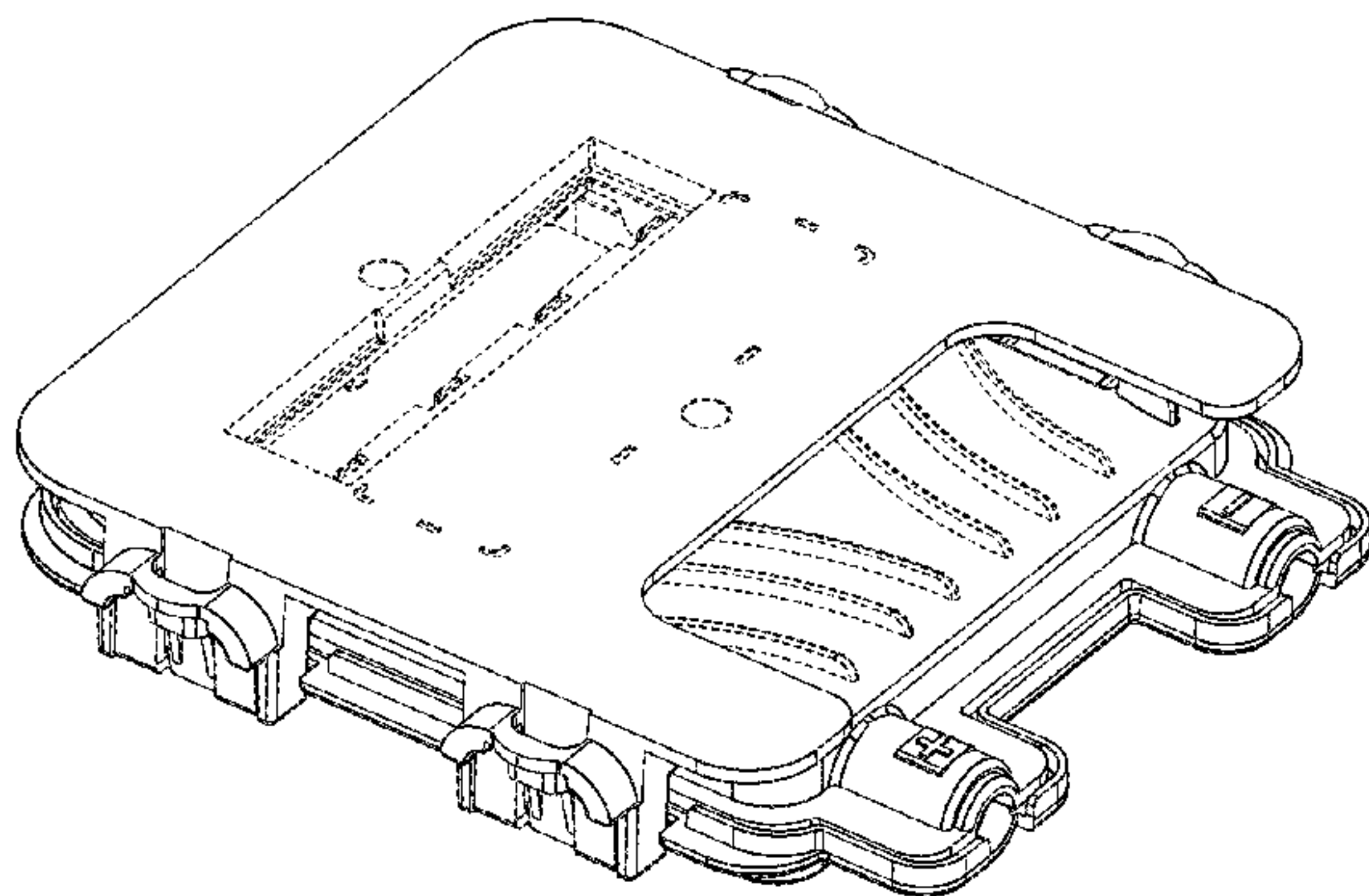
FIG. 6 is a third side view thereof;

FIG. 7 is a fourth side view thereof; and,

FIG. 8 is a bottom perspective view thereof.

The portions in broken lines show environment for illustrative purposes only and form no part of the claimed invention.

1 Claim, 8 Drawing Sheets



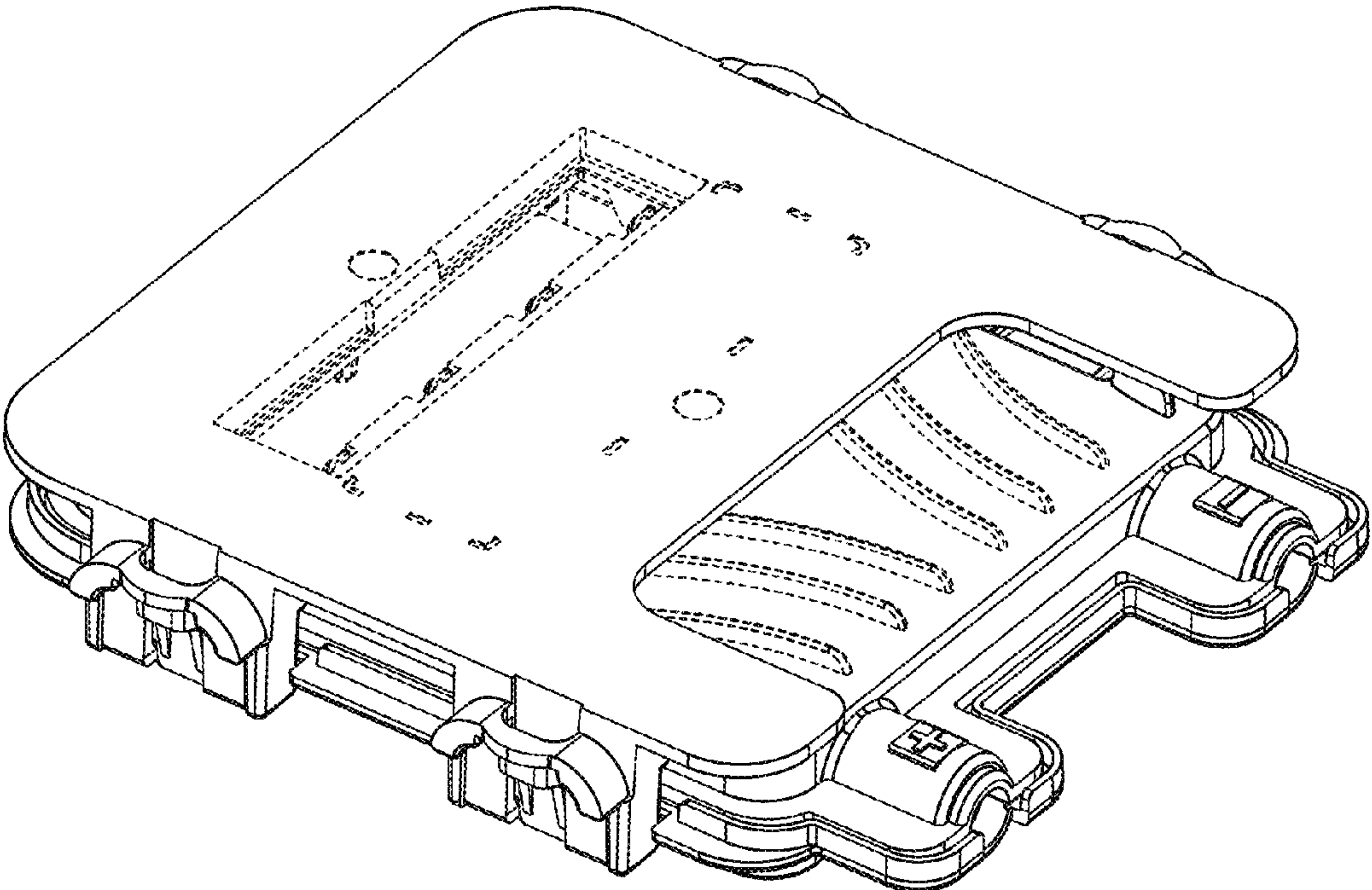


FIG. 1

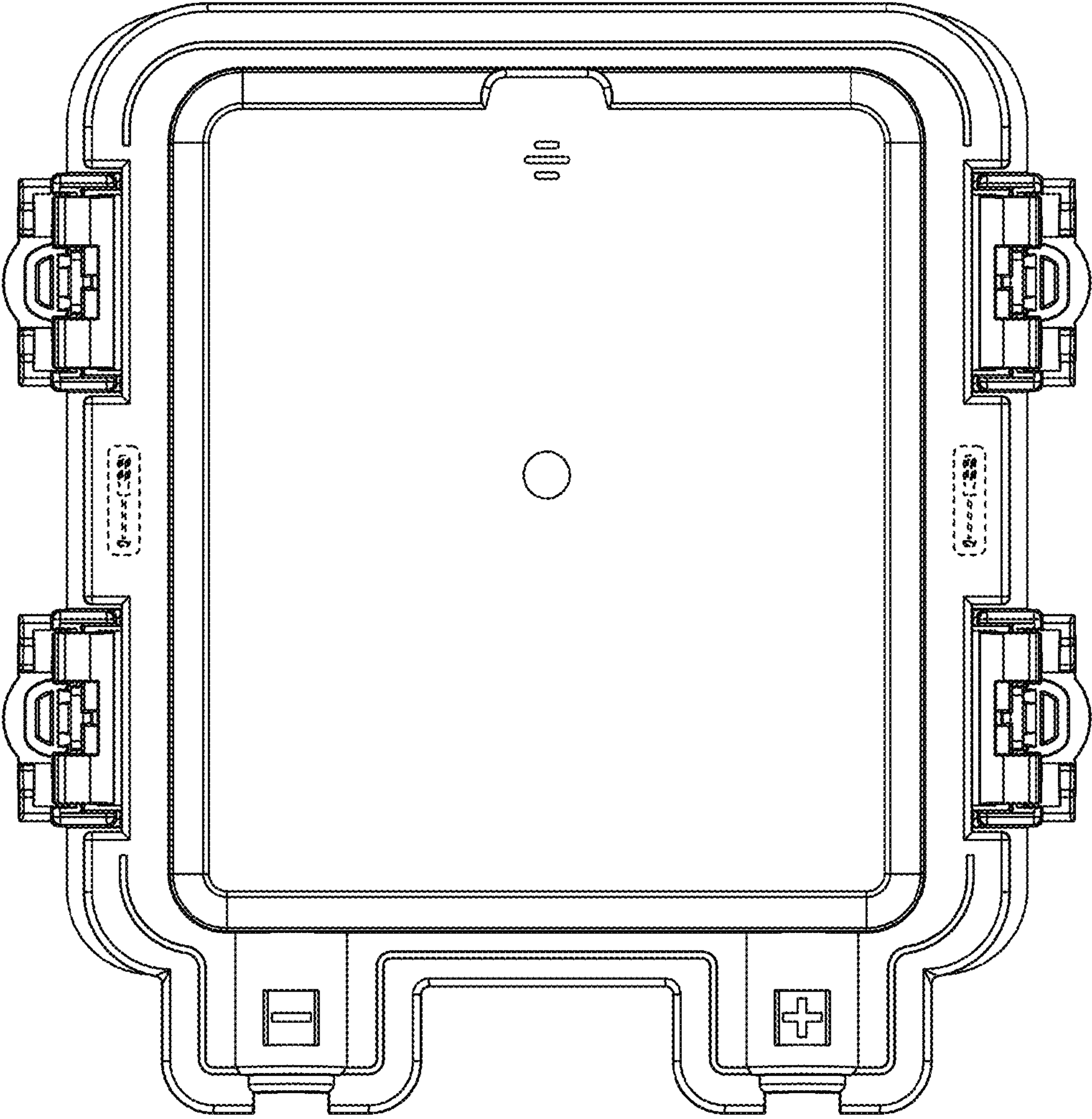


FIG. 2

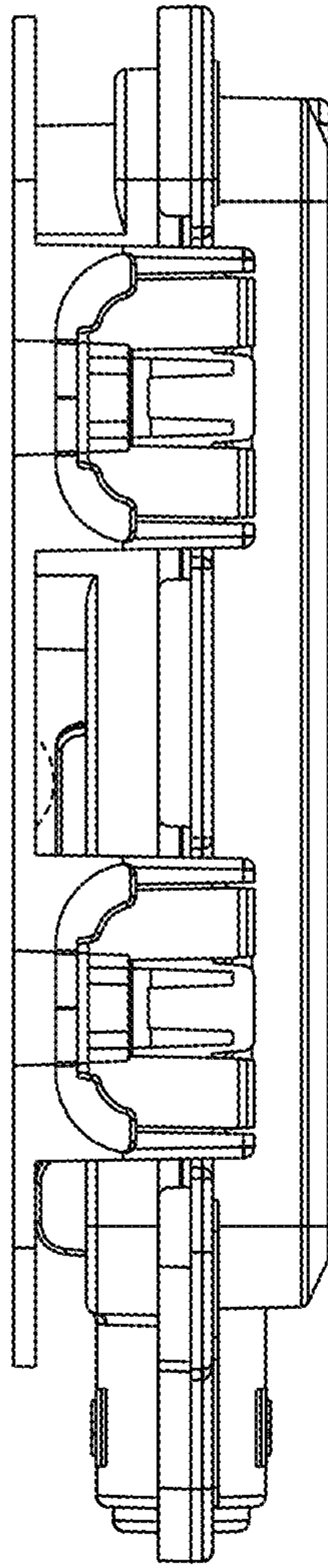


FIG. 3

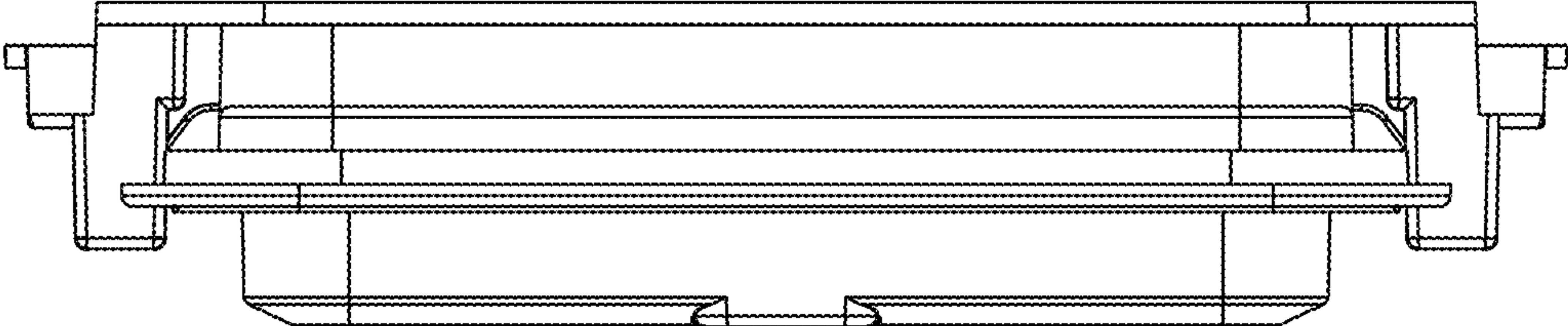


FIG. 4

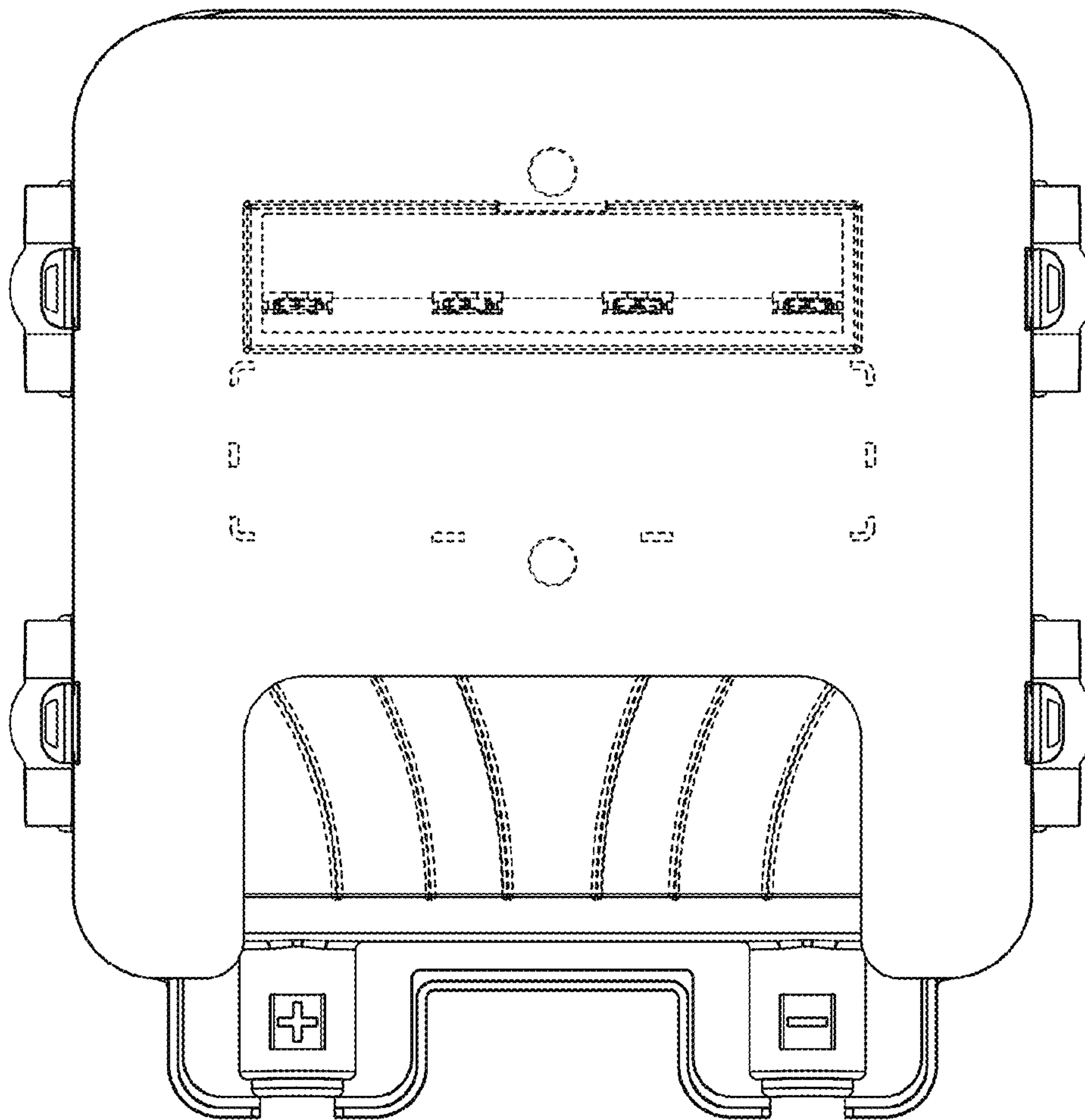


FIG. 5

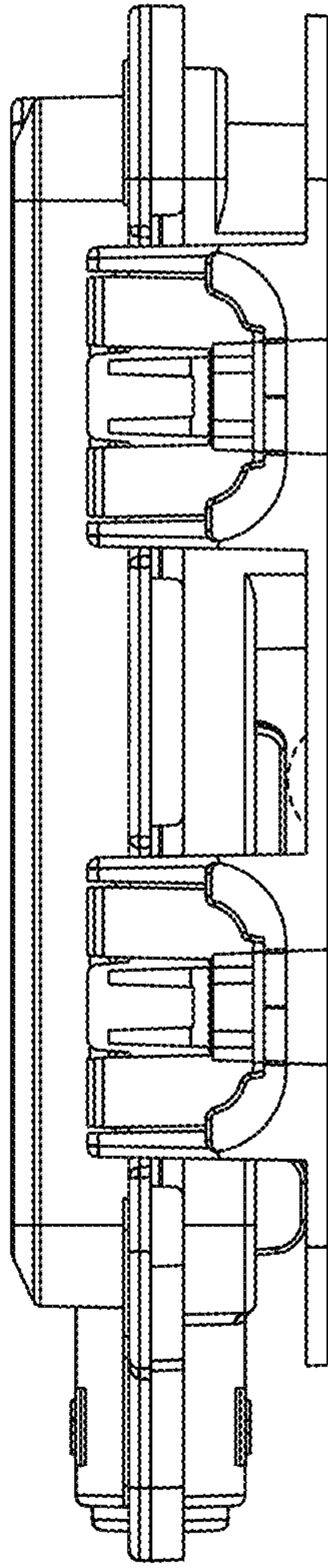


FIG. 6

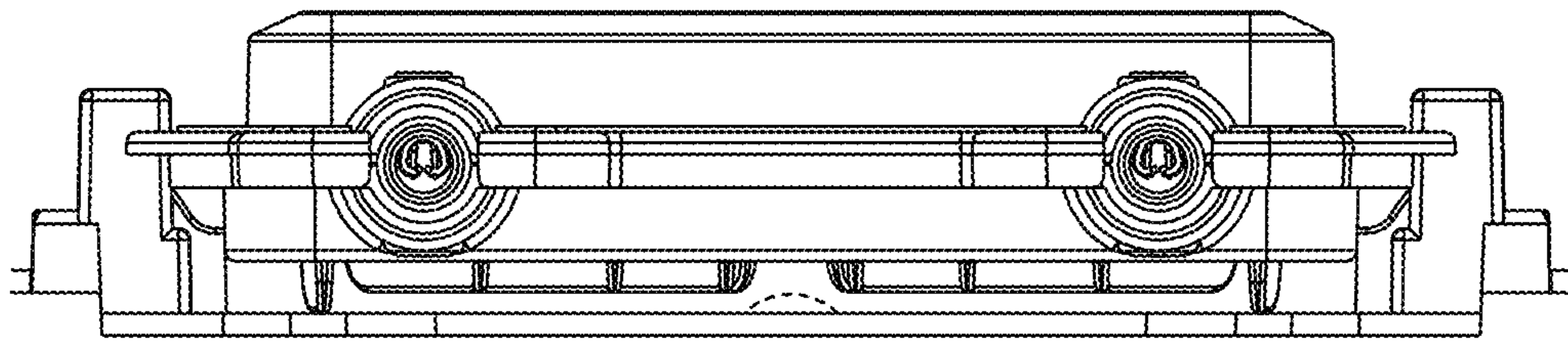


FIG. 7

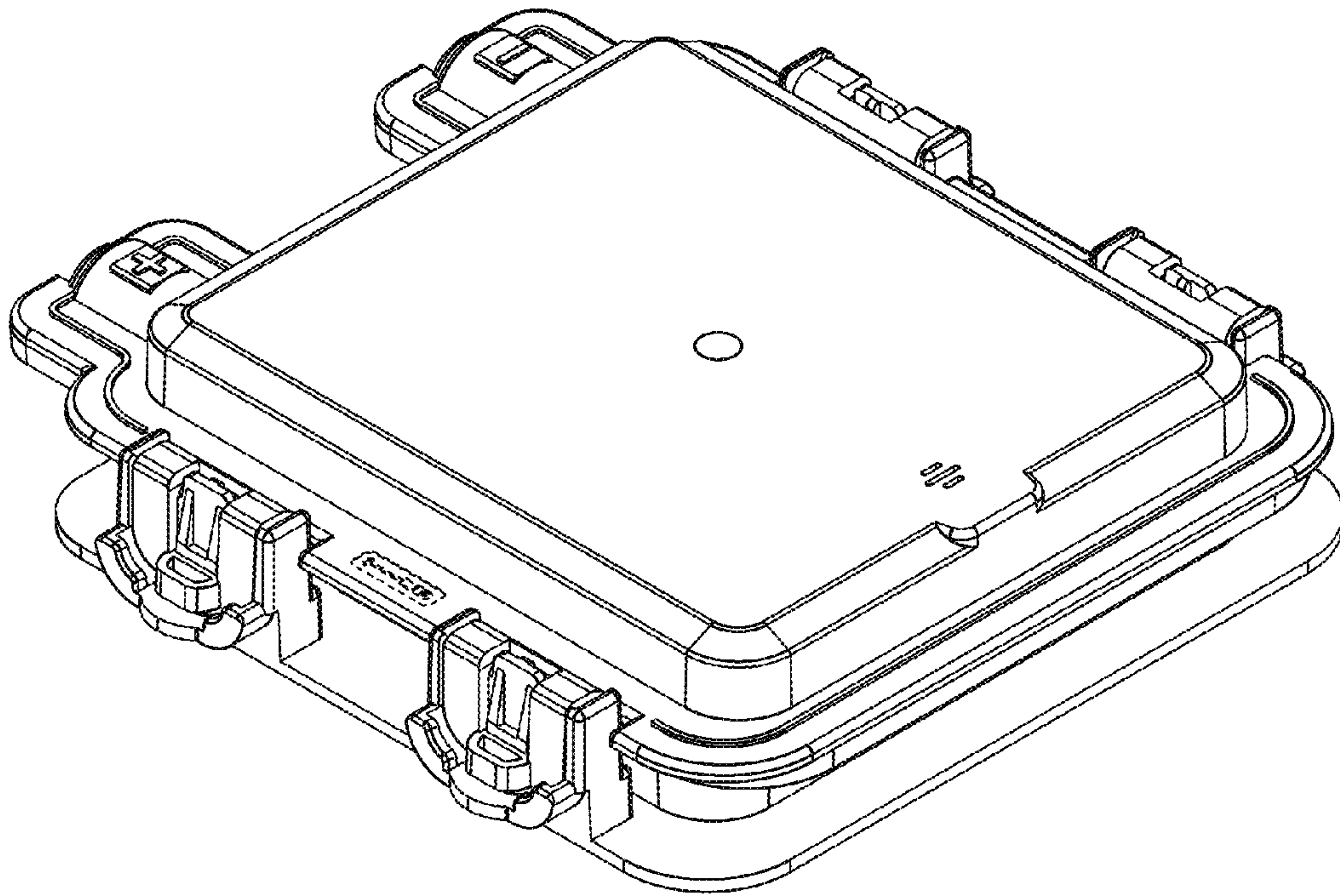


FIG. 8