



US00D707180S

(12) **United States Design Patent**
Yi et al.

(10) **Patent No.:** **US D707,180 S**
(45) **Date of Patent:** **** Jun. 17, 2014**

(54) **GENDER FOR CELLULAR PHONE**

(75) Inventors: **Byunghyun Yi**, Seoul (KR); **Sharim Choe**, Seoul (KR)

(73) Assignee: **LG Electronics Inc.**, Seoul (KR)

(**) Term: **14 Years**

(21) Appl. No.: **29/409,828**

(22) Filed: **Dec. 29, 2011**

(30) **Foreign Application Priority Data**

Jul. 11, 2011 (KR) 30-2011-0028763

(51) **LOC (10) Cl.** **13-03**

(52) **U.S. Cl.**
USPC **D13/147**

(58) **Field of Classification Search**

USPC D13/133, 146, 147, 153, 154, 156, 157,
D13/184, 199; D14/432, 433, 435, 435.1,
D14/438; 345/156; 361/58, 814; 439/38-40,
439/66, 74, 77, 79, 129-130, 135, 146,
439/149-150, 176-177, 180, 188, 217-218,
439/225, 246, 252, 278-279, 290-291, 329,
439/344-346, 350-353, 357-358, 374, 378,
439/381, 476.1, 607.01, 607.04, 607.5,
439/607.6, 607.17, 607.21, 607.23, 607.25,
439/607.34, 607.41, 607.53, 623, 660, 668,
439/677, 678, 680, 682, 874, 883, 887, 892,
439/894

See application file for complete search history.

(56) **References Cited**

U.S. PATENT DOCUMENTS

D552,604 S *	10/2007	Andre et al.	D14/242
D600,652 S *	9/2009	Hong et al.	D13/154
D619,963 S *	7/2010	Hou	D13/133
D636,337 S *	4/2011	Smith et al.	D13/147
D682,835 S *	5/2013	Daniel	D14/433
D683,703 S *	6/2013	Akana et al.	D13/147
D692,390 S *	10/2013	Smith et al.	D13/153

* cited by examiner

Primary Examiner — Daniel Bui

(74) *Attorney, Agent, or Firm* — Morgan, Lewis & Bockius LLP

(57) **CLAIM**

The ornamental design for a gender for cellular phone, as shown and described.

DESCRIPTION

FIG. 1 is a front, right side, perspective view of a gender for cellular phone showing our new design;
FIG. 2 is a front view thereof;
FIG. 3 is a rear view thereof;
FIG. 4 is a left side view thereof;
FIG. 5 is a right side view thereof;
FIG. 6 is a top view thereof; and,
FIG. 7 is a bottom view thereof.
The broken line portion of the figure drawings is included for the purpose of illustrating environment and forms no part of the claimed design.

1 Claim, 4 Drawing Sheets

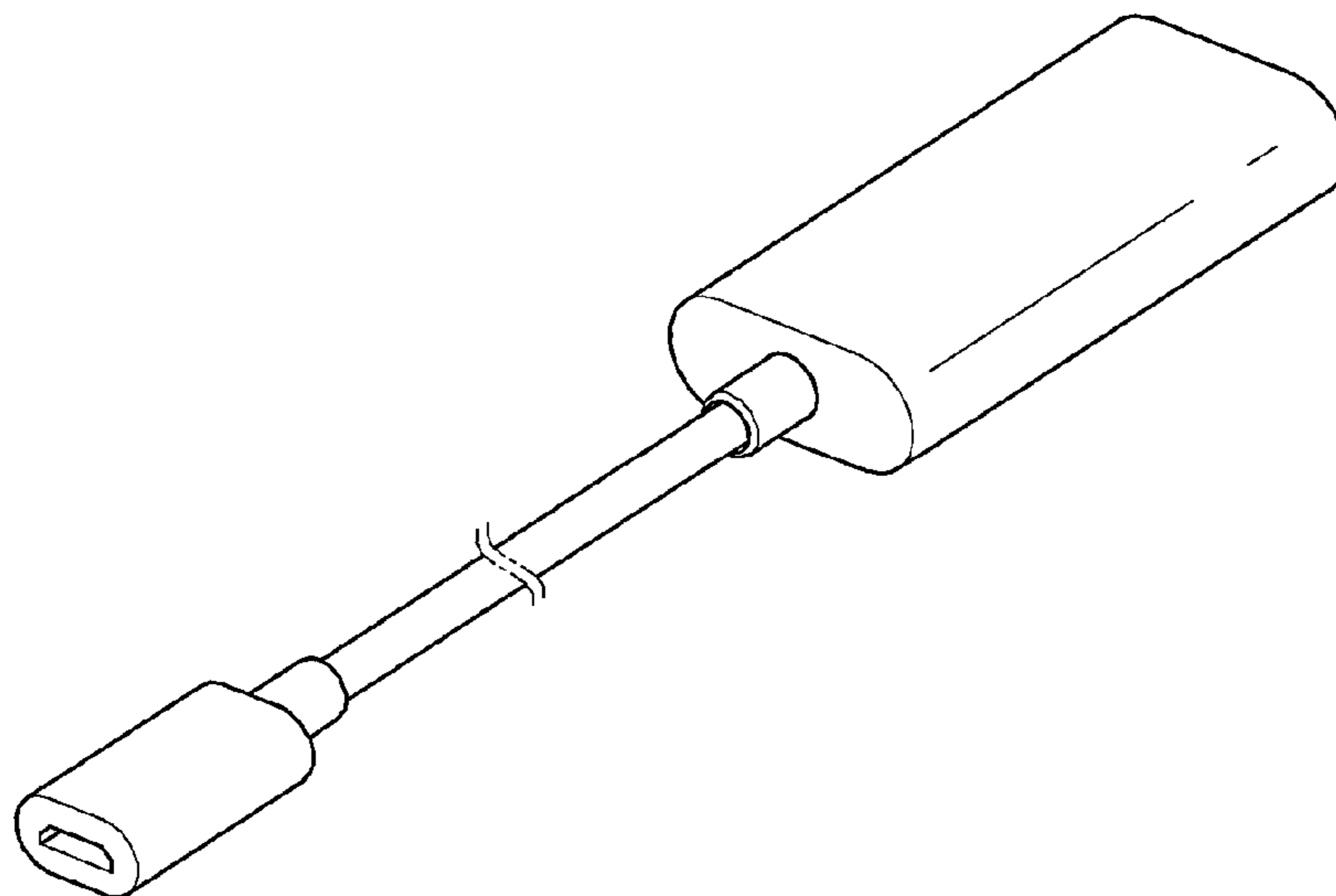


FIG. 1

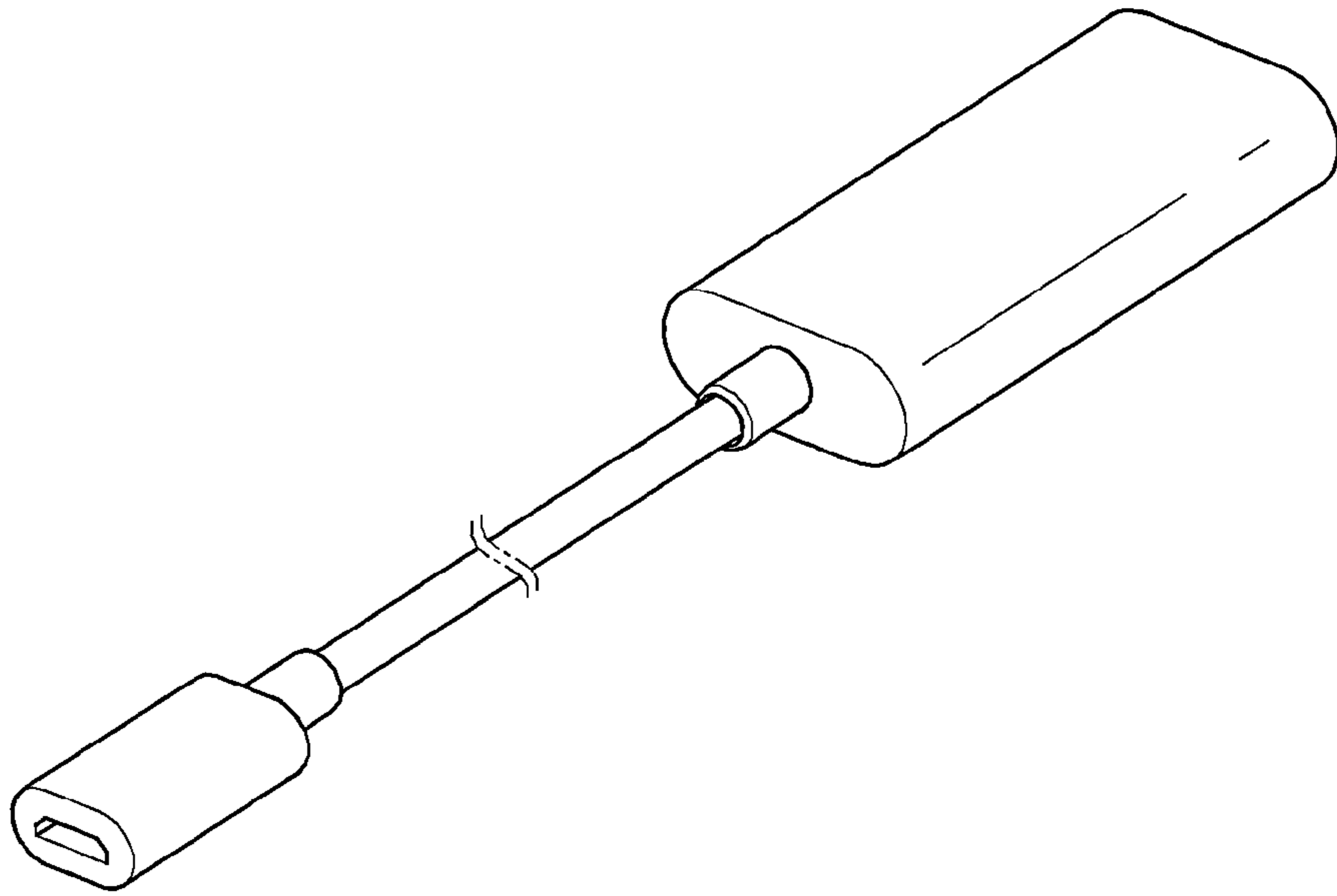


FIG. 2

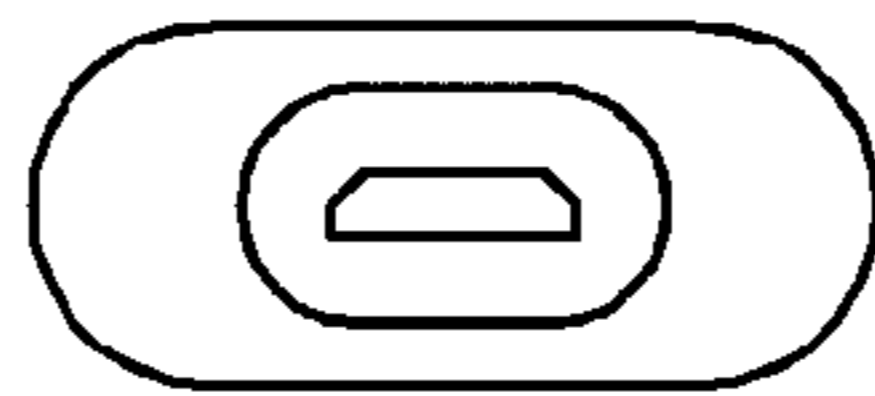


FIG. 3

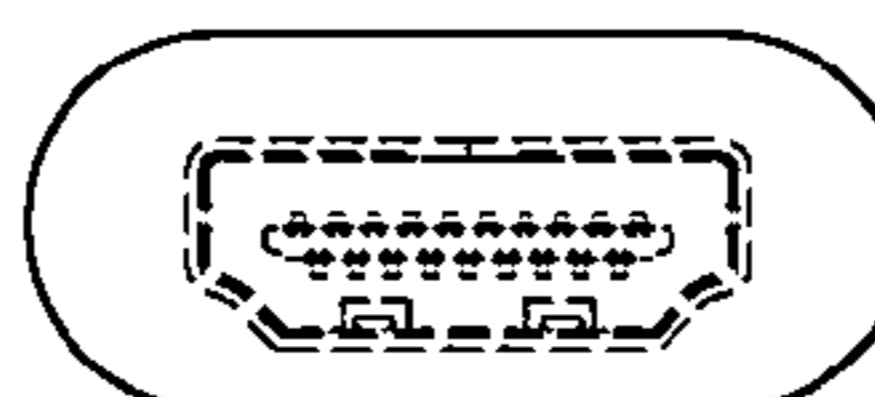


FIG. 4

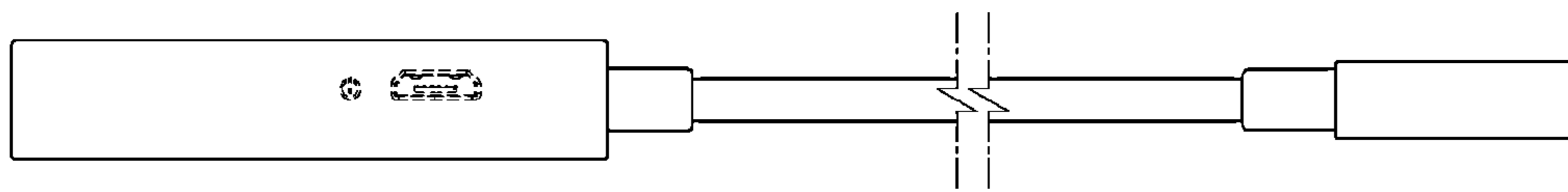


FIG. 5

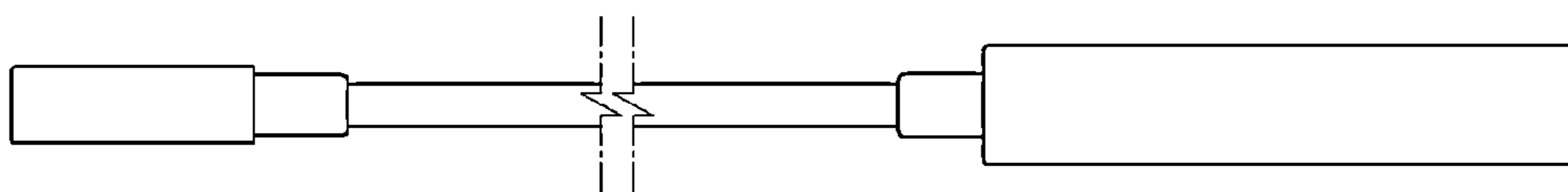


FIG. 6

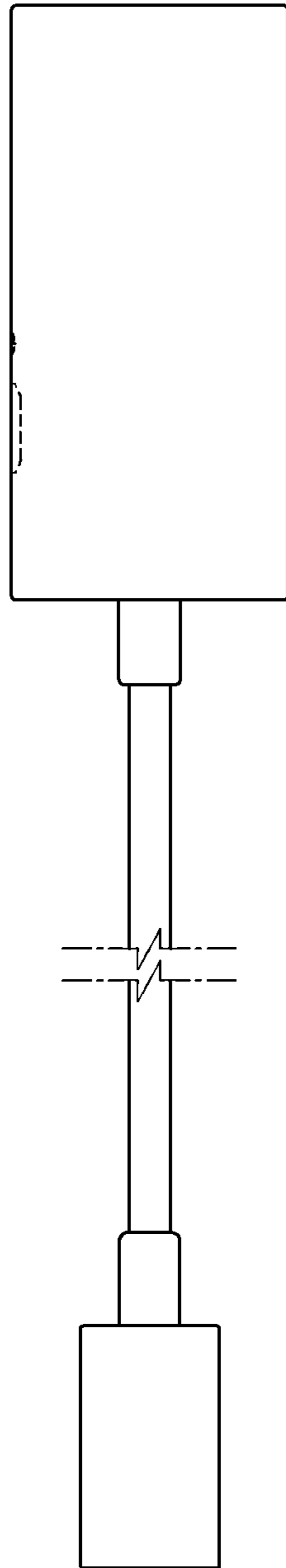


FIG. 7

