



US00D707177S

(12) **United States Design Patent**
Jacobs

(10) **Patent No.:** **US D707,177 S**

(45) **Date of Patent:** **** Jun. 17, 2014**

(54) **SPEAKER WALL PLATE WITH DOUBLE SIDED BINDING POST**

(71) Applicant: **Zenovia Electronics Inc.**, St. Albert (CA)

(72) Inventor: **Logan Daniel Jacobs**, St. Albert (CA)

(73) Assignee: **Zenovia Electronics Inc.**, St. Albert, AB (CA)

(**) Term: **14 Years**

(21) Appl. No.: **29/465,340**

(22) Filed: **Aug. 27, 2013**

(51) **LOC (10) Cl.** **13-03**

(52) **U.S. Cl.**
USPC **D13/133**

(58) **Field of Classification Search**
USPC D13/133, 147, 199, 156, 129, 131, 132;
D14/188, 452; 174/151, 153 R;
439/797, 775, 786, 894
See application file for complete search history.

(56) **References Cited**

U.S. PATENT DOCUMENTS

5,114,365 A * 5/1992 Thompson et al. 439/540.1
D345,729 S * 4/1994 Dickens et al. D13/147

D389,122 S * 1/1998 Foye D13/147
D410,898 S * 6/1999 Lin D13/177
D505,390 S * 5/2005 Lee et al. D13/133
D556,695 S * 12/2007 Provenzano D13/154
D557,214 S * 12/2007 Provenzano D13/154
D628,155 S * 11/2010 Maurer et al. D13/131
7,960,649 B2 * 6/2011 Giefers 174/50
D694,712 S * 12/2013 Aguiar et al. D13/133

* cited by examiner

Primary Examiner — Thomas Johannes

Assistant Examiner — Khawaja Anwar

(74) *Attorney, Agent, or Firm* — Miller Thomson LLP

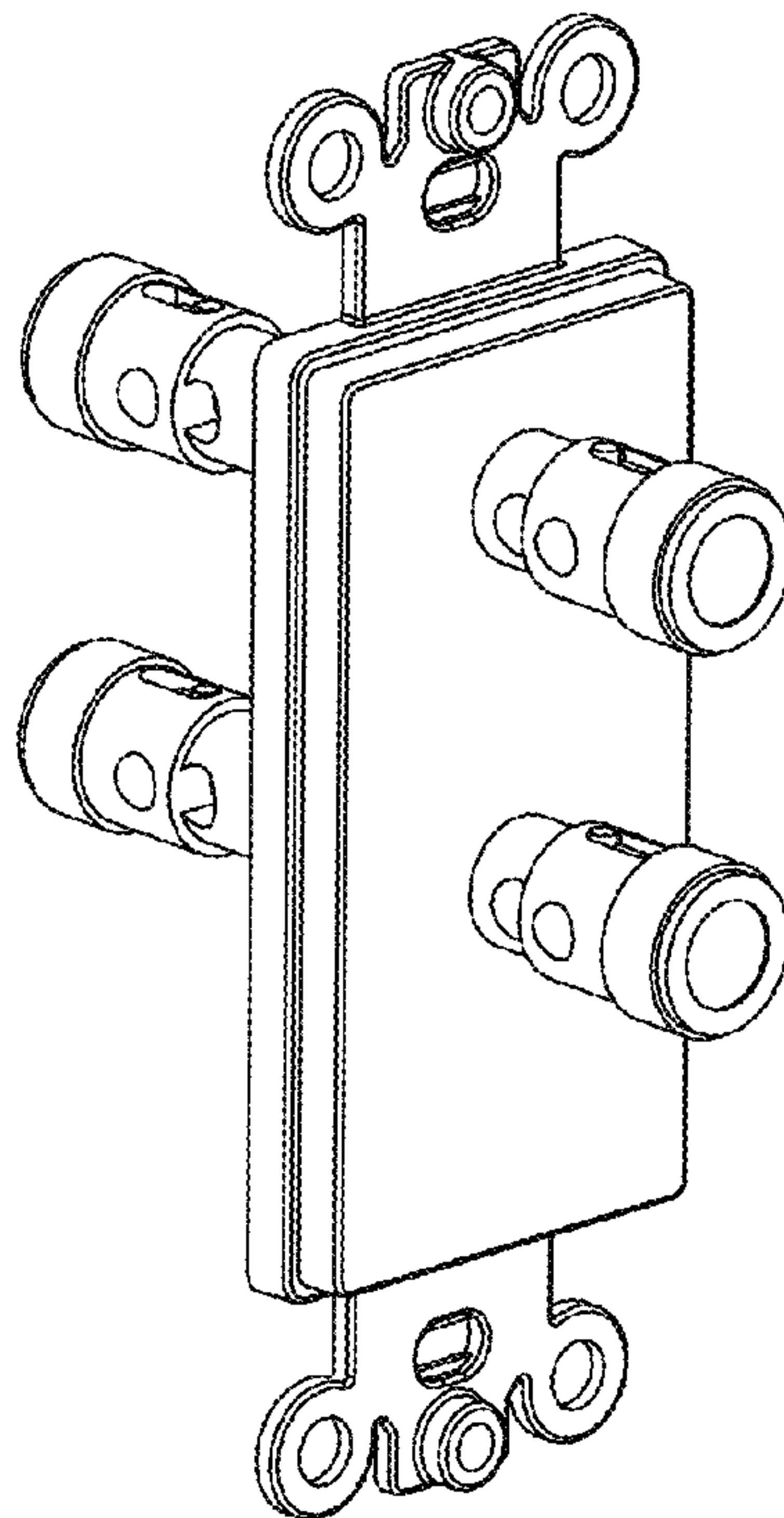
(57) **CLAIM**

The ornamental design for a speaker wall plate with double sided binding post, as shown.

DESCRIPTION

FIG. 1 is a perspective front view of an speaker wall plate with double sided binding post showing our new design;
FIG. 2 is perspective rear view thereof;
FIG. 3 is a front view thereof;
FIG. 4 is a rear view thereof;
FIG. 5 is a top view thereof;
FIG. 6 is a bottom view thereof;
FIG. 7 is a left side view thereof; and,
FIG. 8 is a right side view thereof.

1 Claim, 5 Drawing Sheets



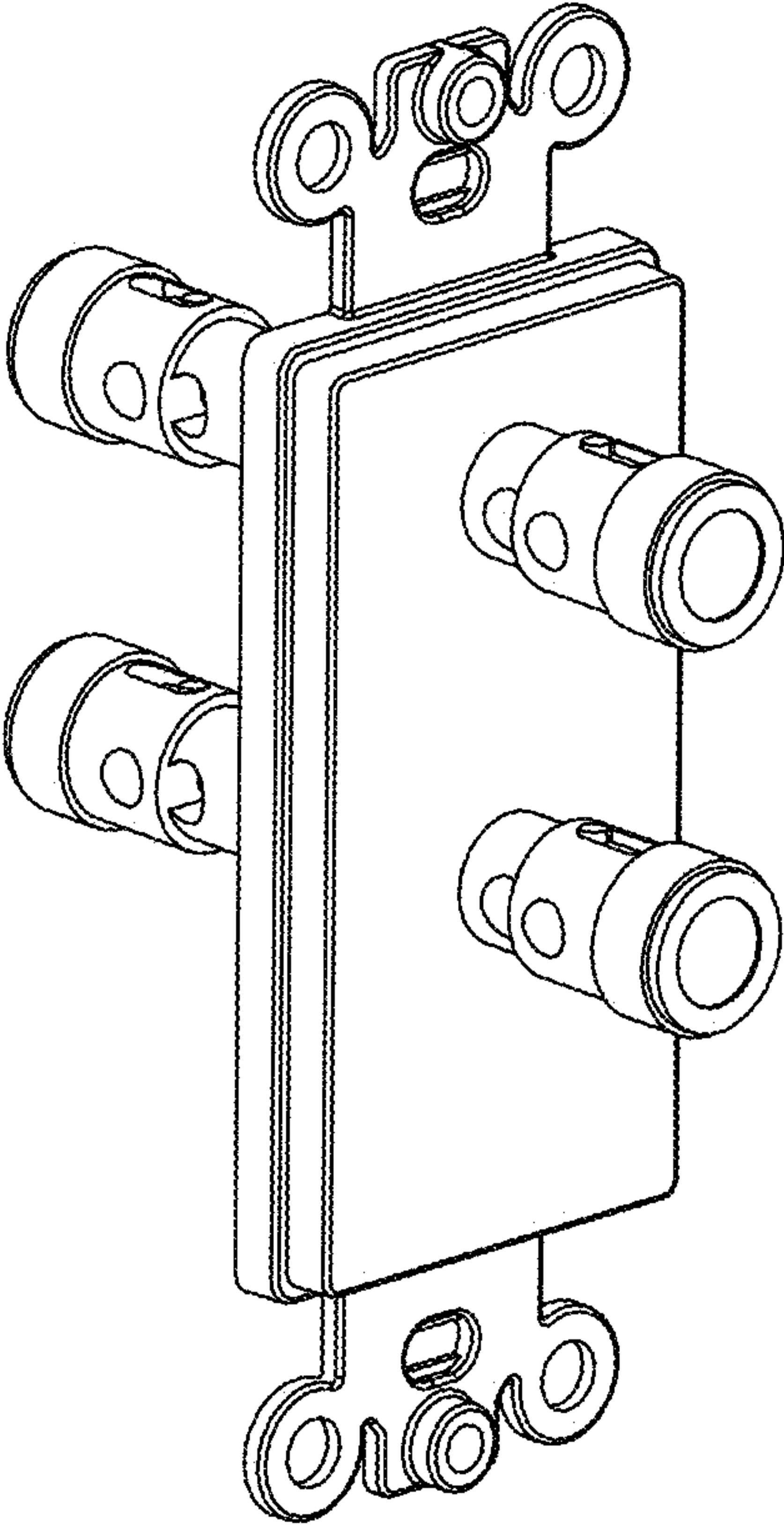


FIG. 1

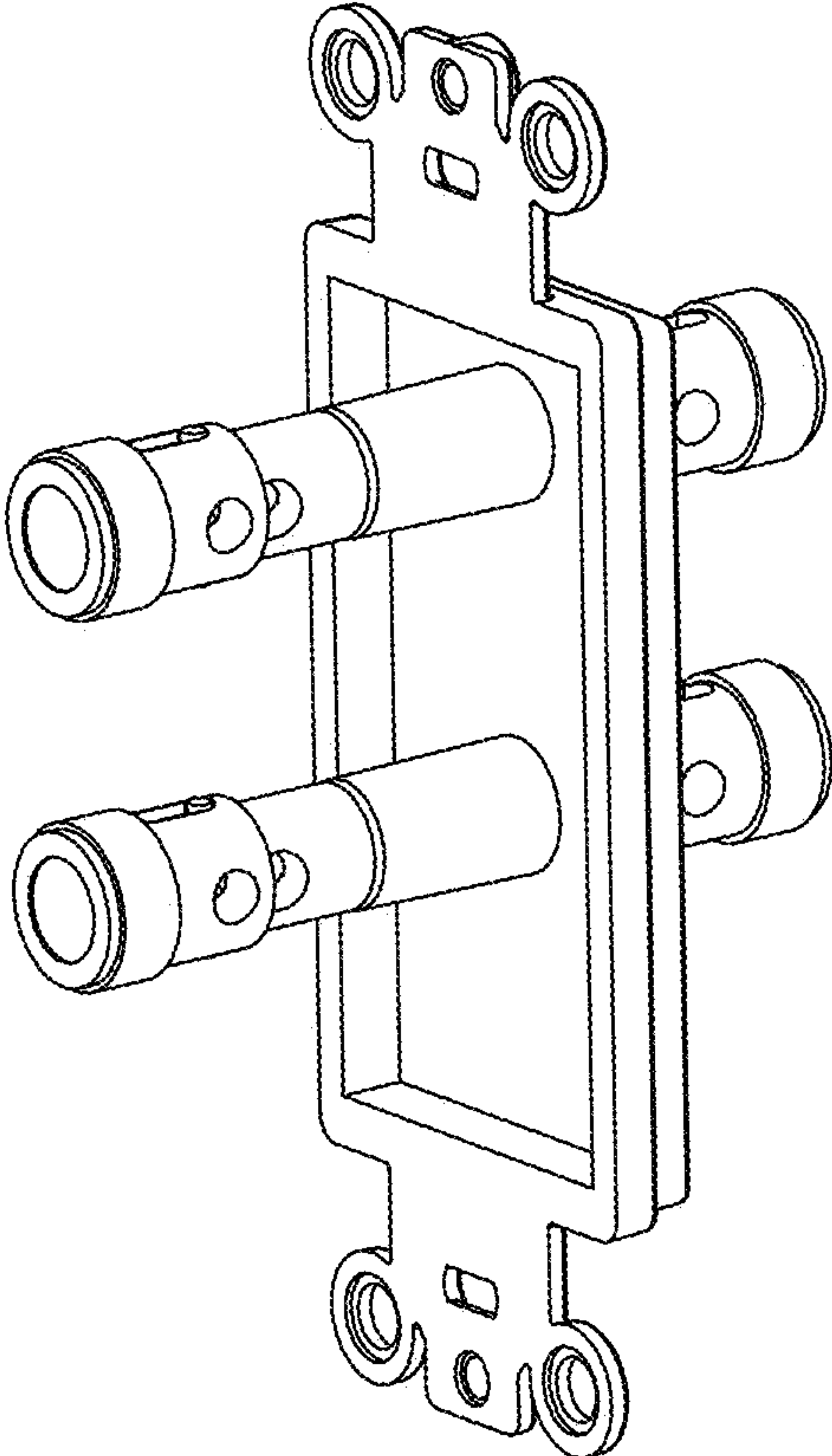


FIG. 2

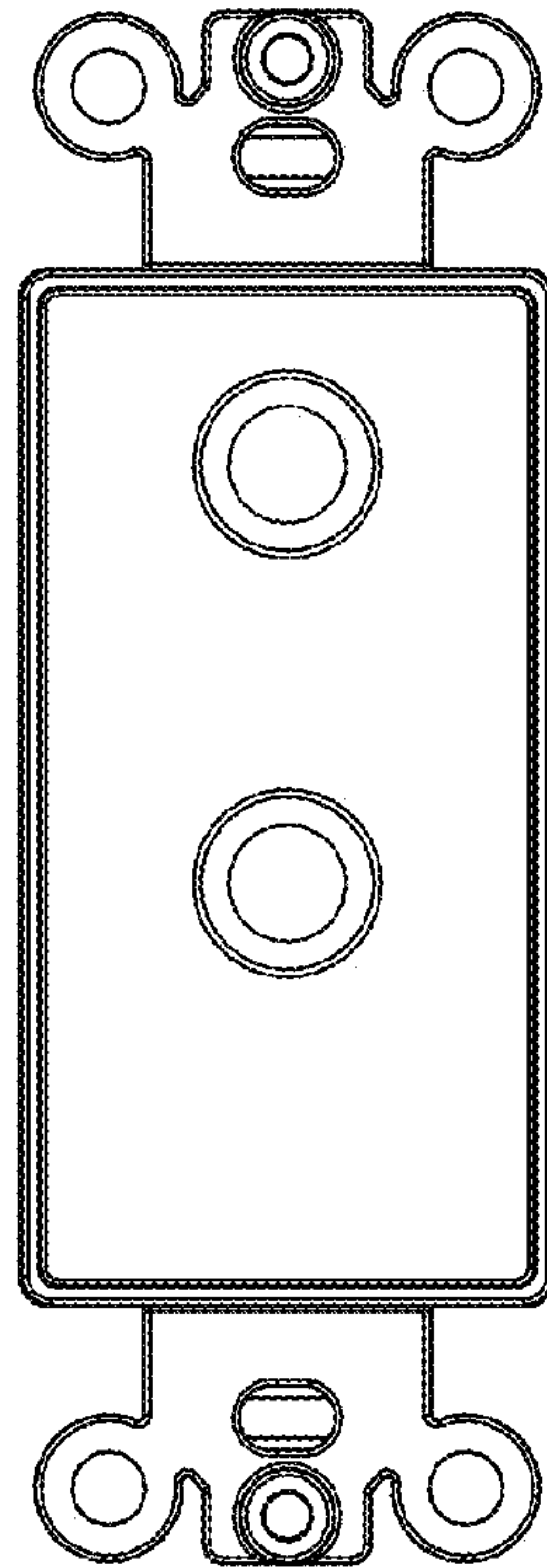


FIG. 3

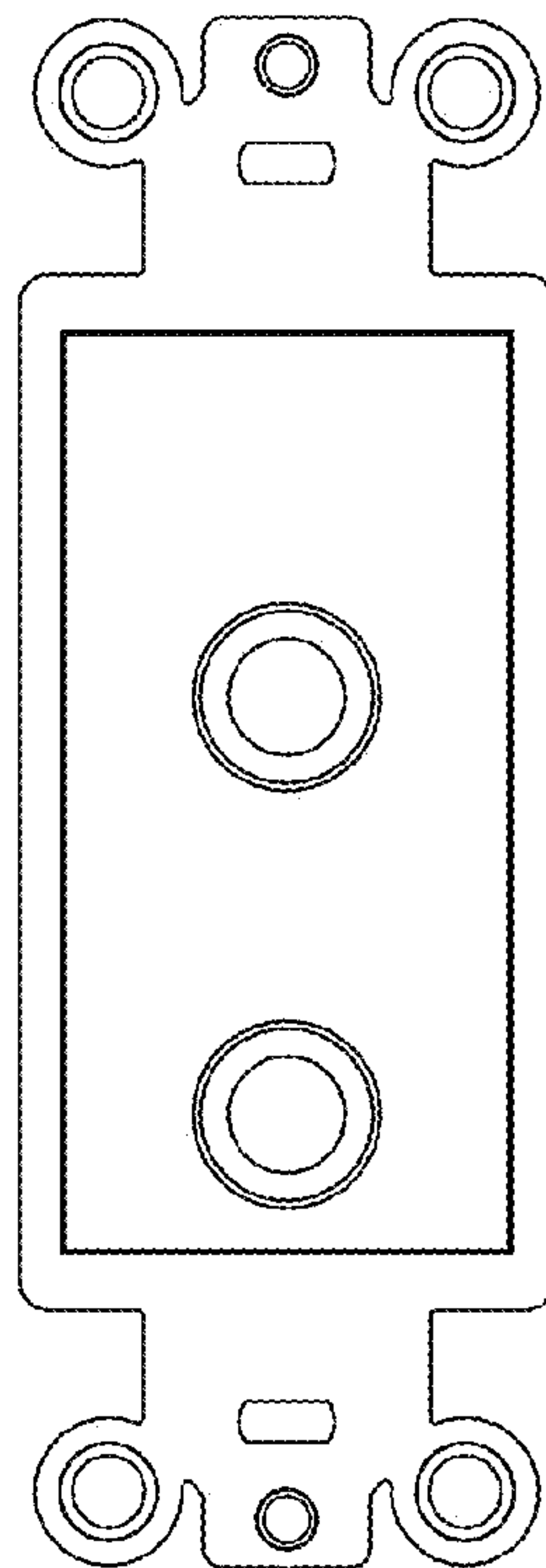


FIG. 4

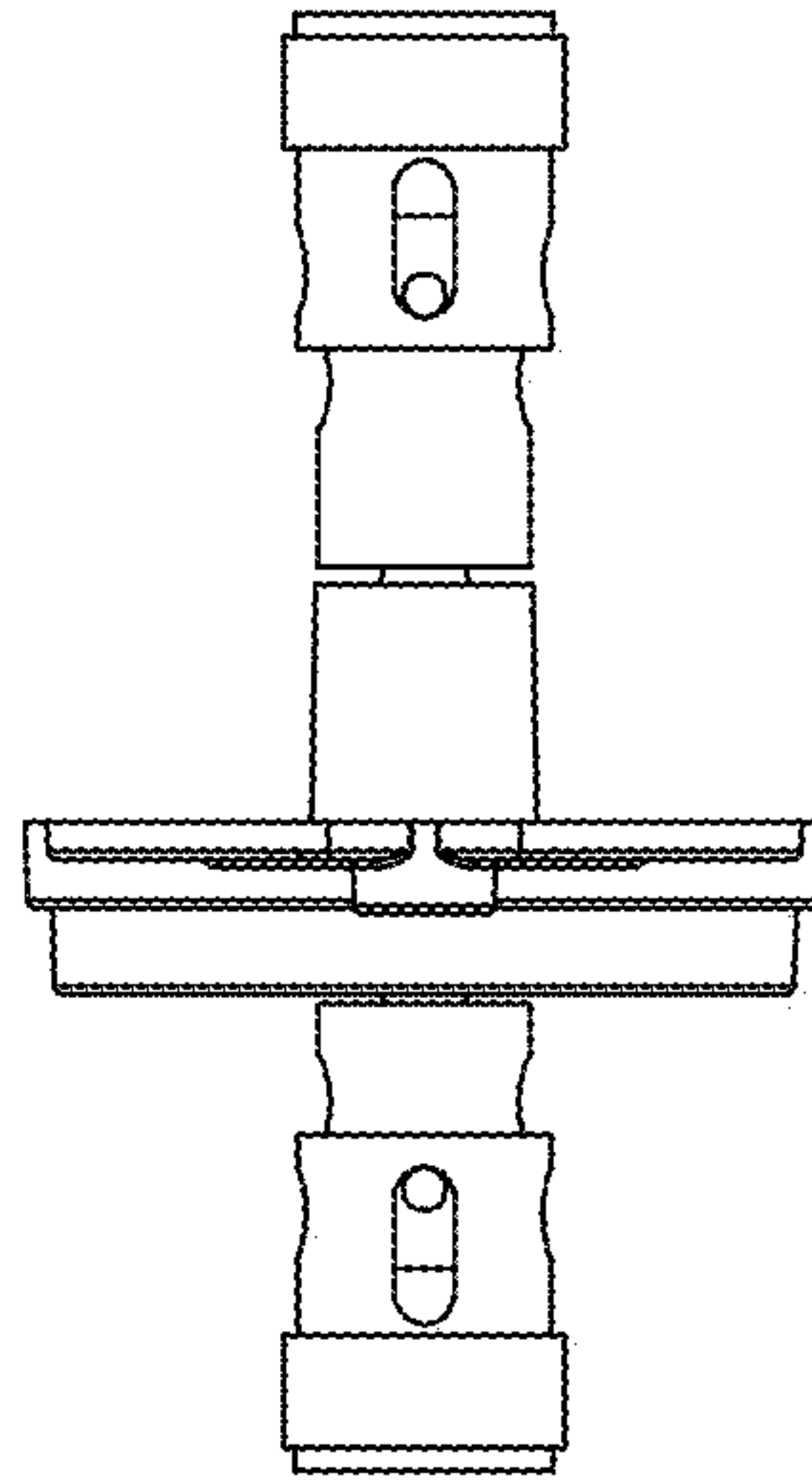


FIG. 5

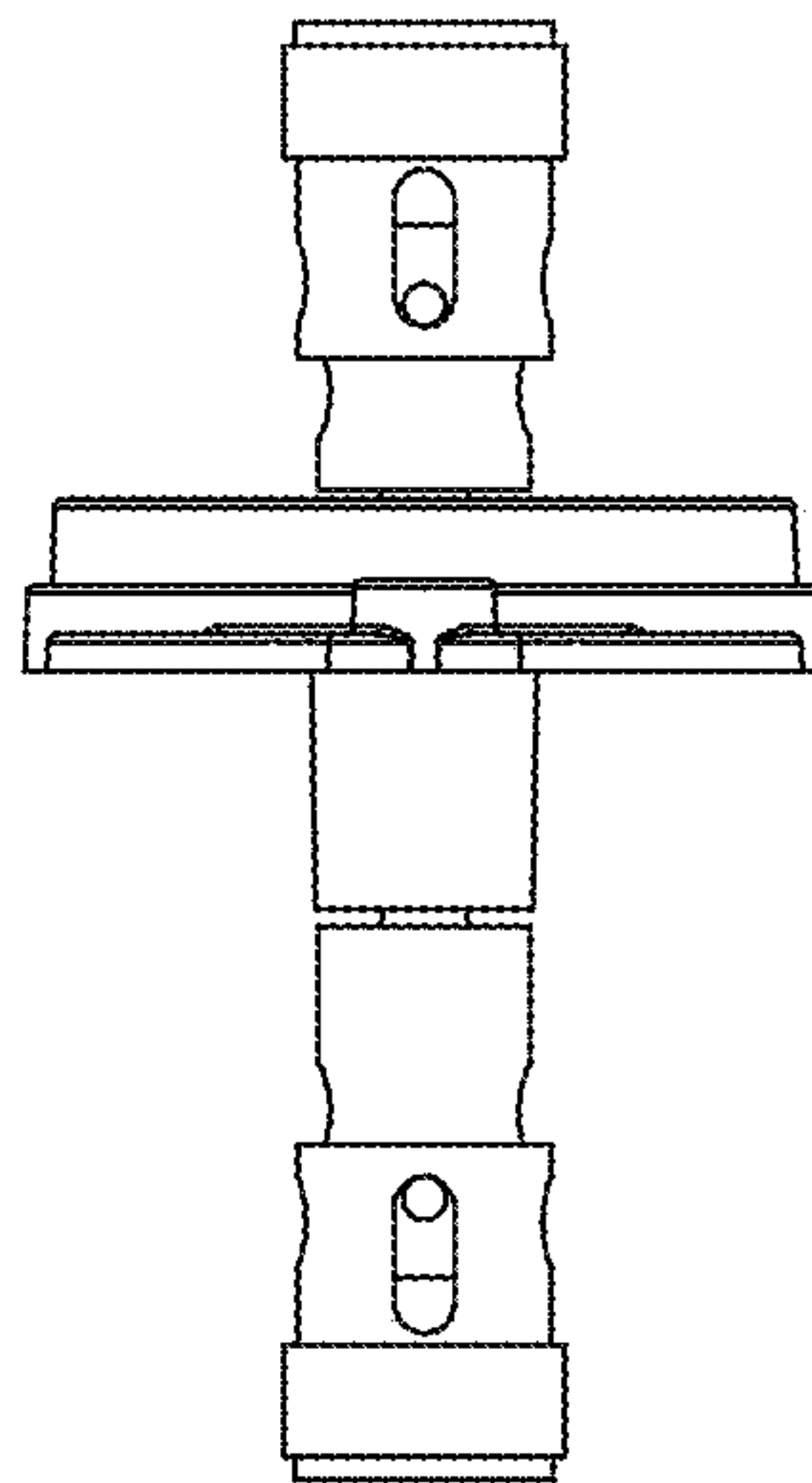


FIG. 6

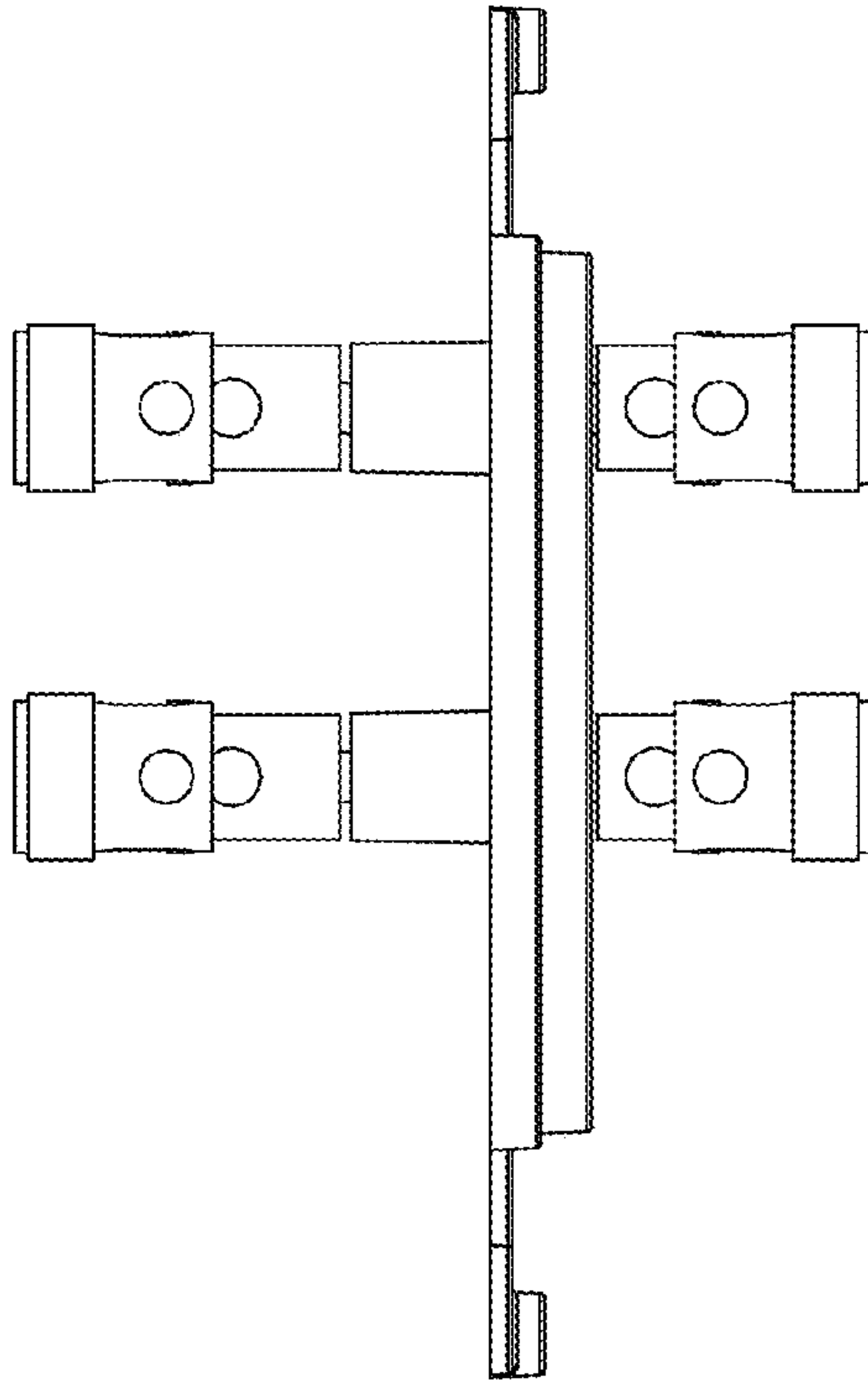


FIG. 7

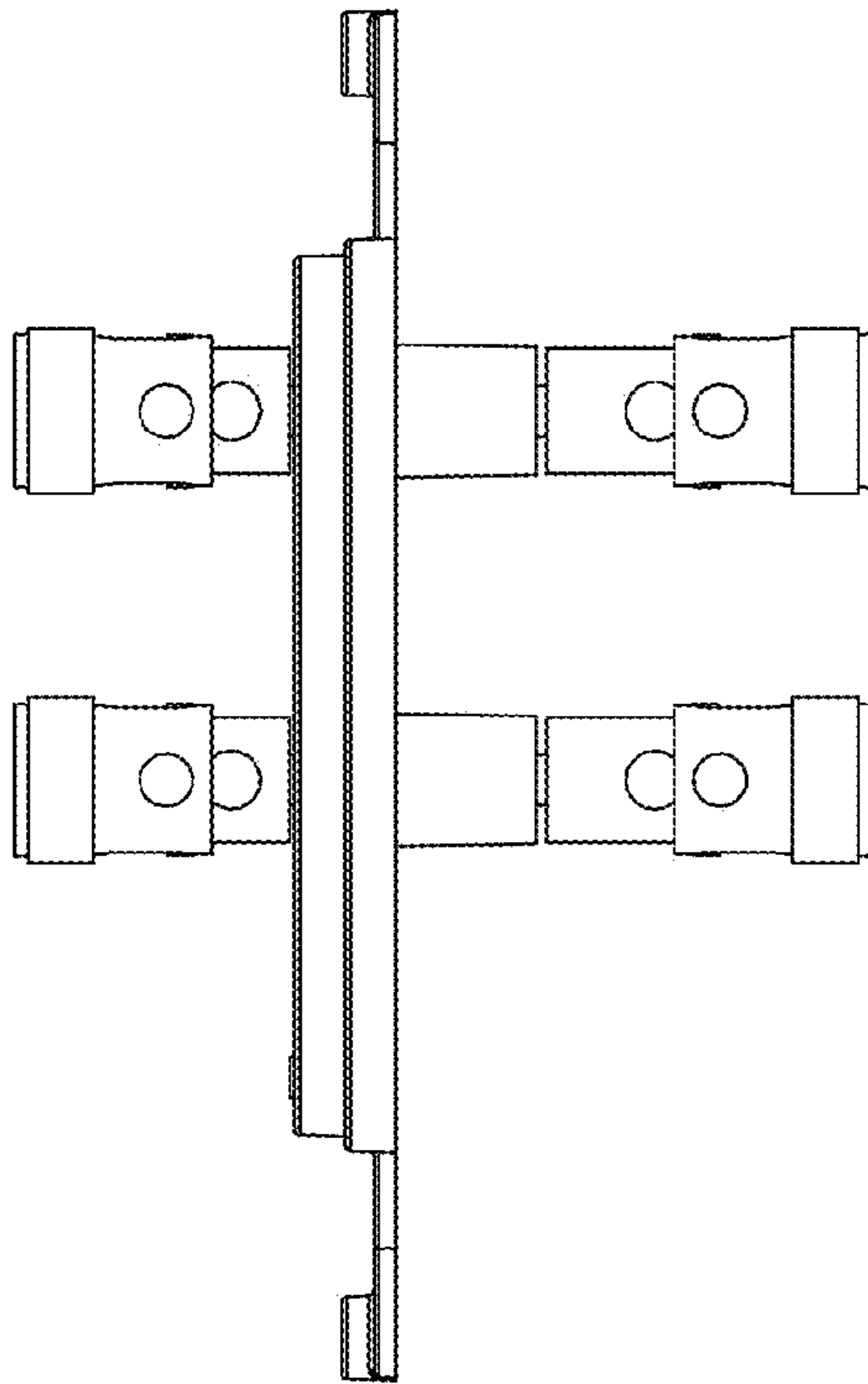


FIG. 8