



US00D707174S

(12) **United States Design Patent**
Shackcloth

(10) **Patent No.:** **US D707,174 S**
(45) **Date of Patent:** **** Jun. 17, 2014**

(54) **MARINE SURVIVAL POD**
(71) Applicant: **Plastic Fabrications Pty Ltd**, Tasmania (AU)
(72) Inventor: **Glen Shackcloth**, Tasmania (AU)
(73) Assignee: **PFG Group Pty Ltd**, Tasmania (AU)
(**) Term: **14 Years**

3,779,196	A *	12/1973	Knaus et al.	114/74 T
4,768,456	A *	9/1988	Jones et al.	114/266
D298,428	S *	11/1988	Kendle, Jr.	D12/316
5,349,918	A *	9/1994	Elie	114/352
D402,618	S *	12/1998	Veazey	D12/310
6,016,933	A *	1/2000	Daily et al.	220/560
D569,194	S *	5/2008	Chang	D7/605
D589,429	S *	3/2009	Harrison	D12/316
8,327,576	B2 *	12/2012	Sellers	220/560
2007/0245942	A1 *	10/2007	Sestito et al.	114/266
2009/0101655	A1 *	4/2009	Tess et al.	220/560

* cited by examiner

(21) Appl. No.: **29/446,892**
(22) Filed: **Feb. 28, 2013**

Primary Examiner — Cynthia M Chin
(74) *Attorney, Agent, or Firm* — Richard M. Goldberg

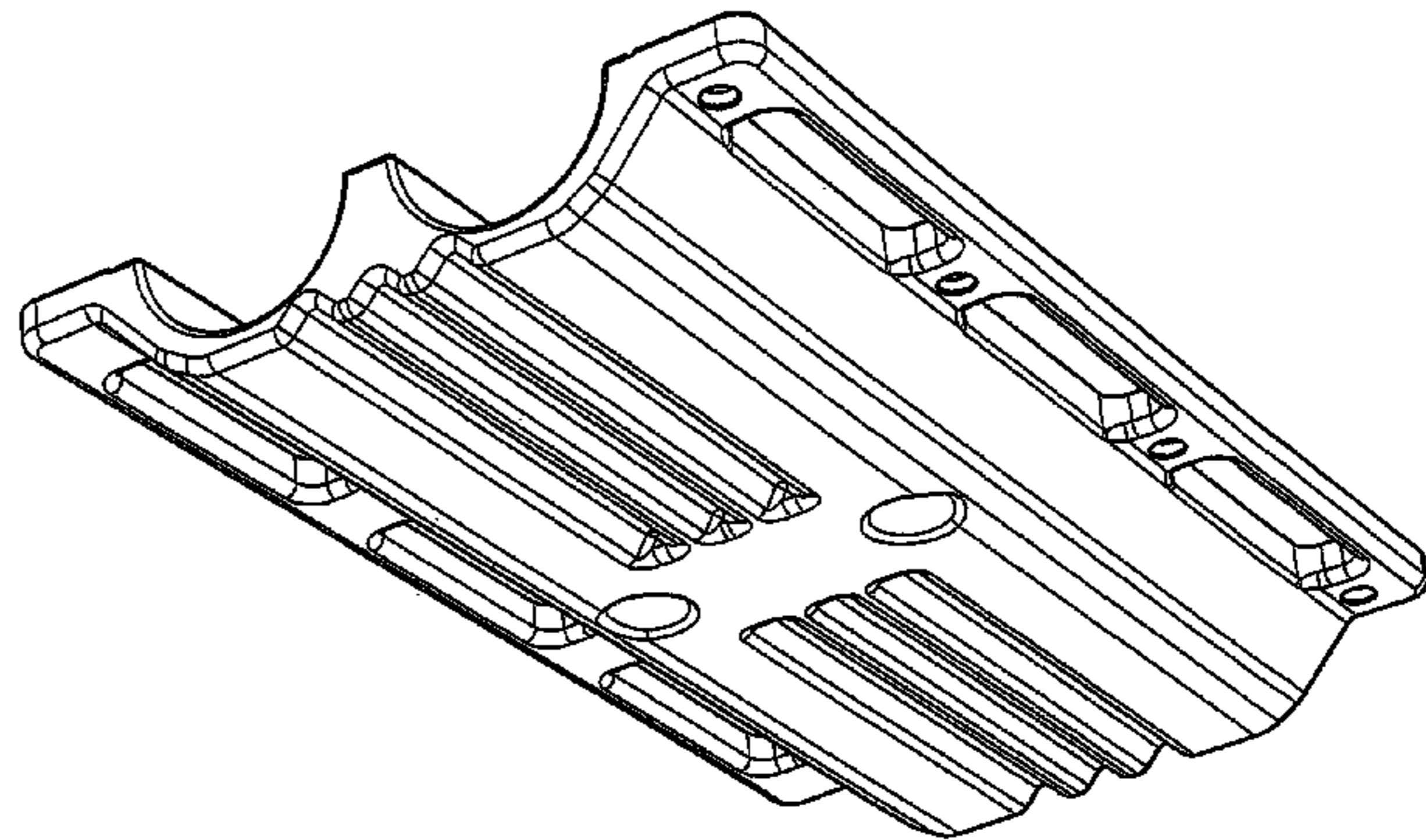
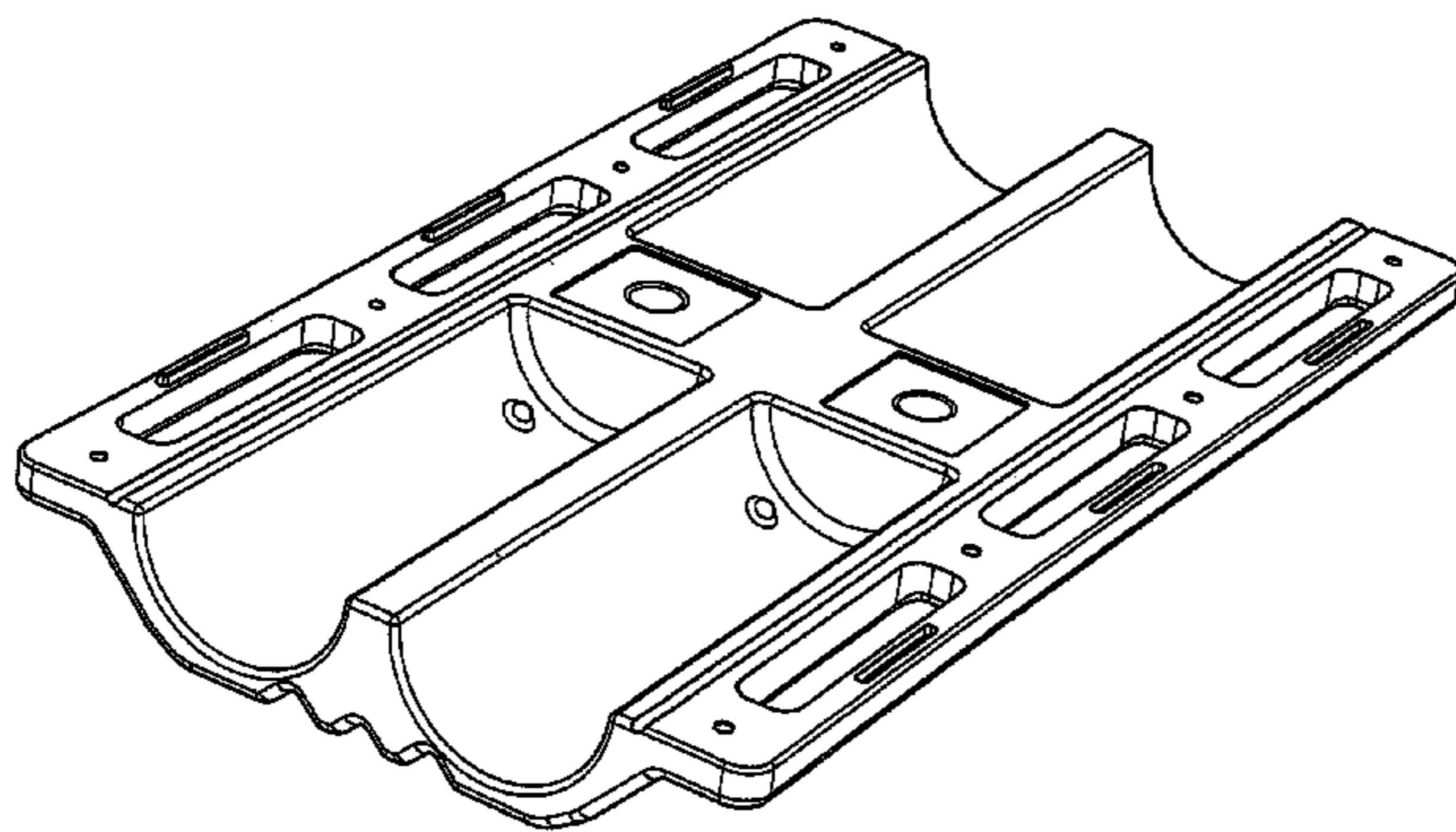
(30) **Foreign Application Priority Data**
Aug. 31, 2012 (AU) 345130
(51) **LOC (10) Cl.** **12-06**
(52) **U.S. Cl.**
USPC **D12/316**
(58) **Field of Classification Search**
USPC D12/300, 316, 317; 114/74 T, 74 A, 266,
114/267, 343, 348-350; 441/37, 80, 136;
220/560
See application file for complete search history.

(57) **CLAIM**
The ornamental design for marine survival pod, as shown.

(56) **References Cited**
U.S. PATENT DOCUMENTS
2,811,276 A * 10/1957 Ray 220/560
D219,894 S * 2/1971 Thompson D12/316

DESCRIPTION
FIG. 1 is a front, top, perspective view of the marine survival pod of my design;
FIG. 2 is a rear, bottom, perspective view thereof;
FIG. 3 is a top plan view thereof;
FIG. 4 is a bottom plan view thereof;
FIG. 5 is a left side elevational view thereof;
FIG. 6 is a right side elevational view thereof;
FIG. 7 is a front elevational view thereof; and,
FIG. 8 is a rear elevational view thereof.

1 Claim, 6 Drawing Sheets



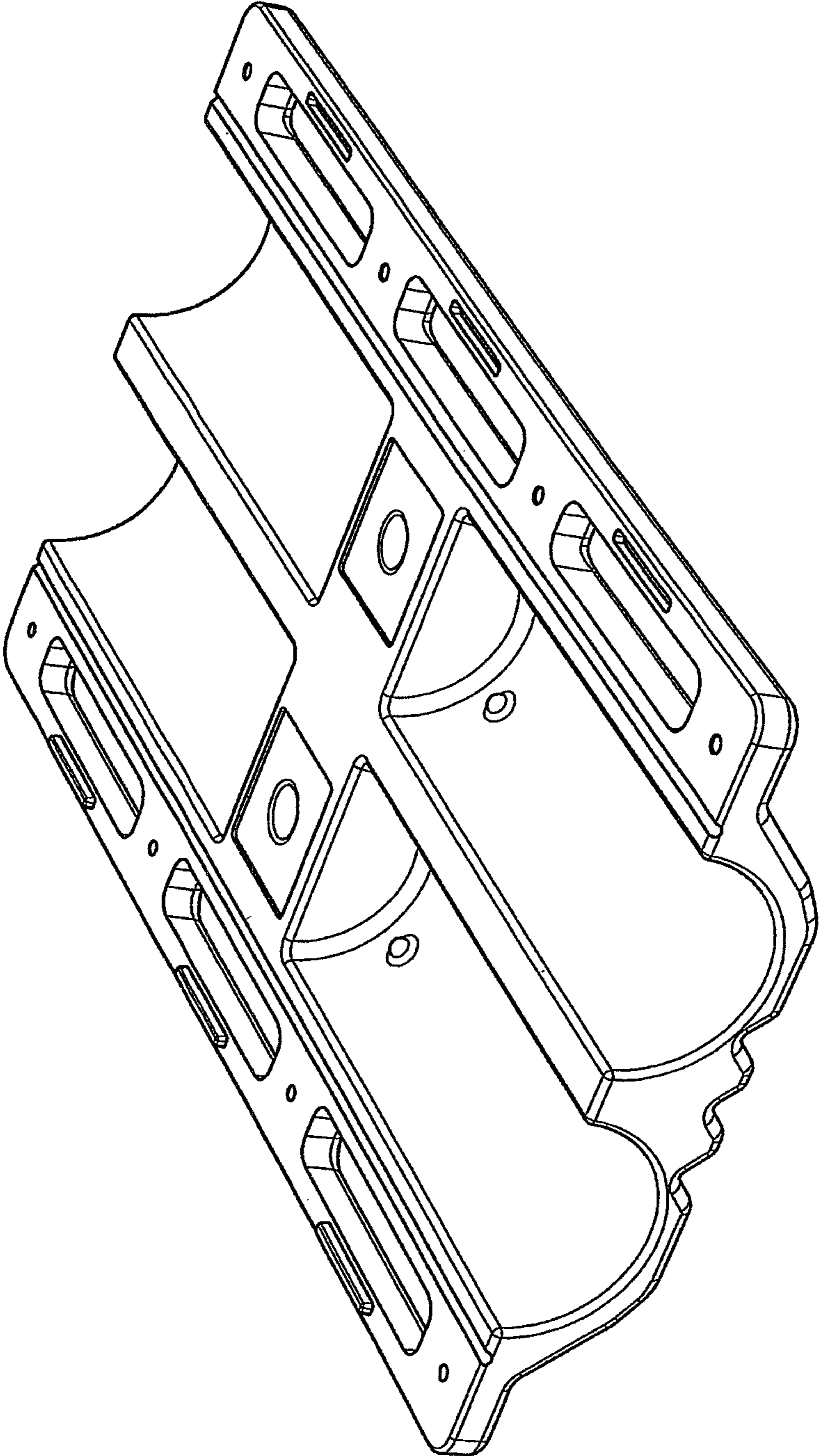


FIG. 1

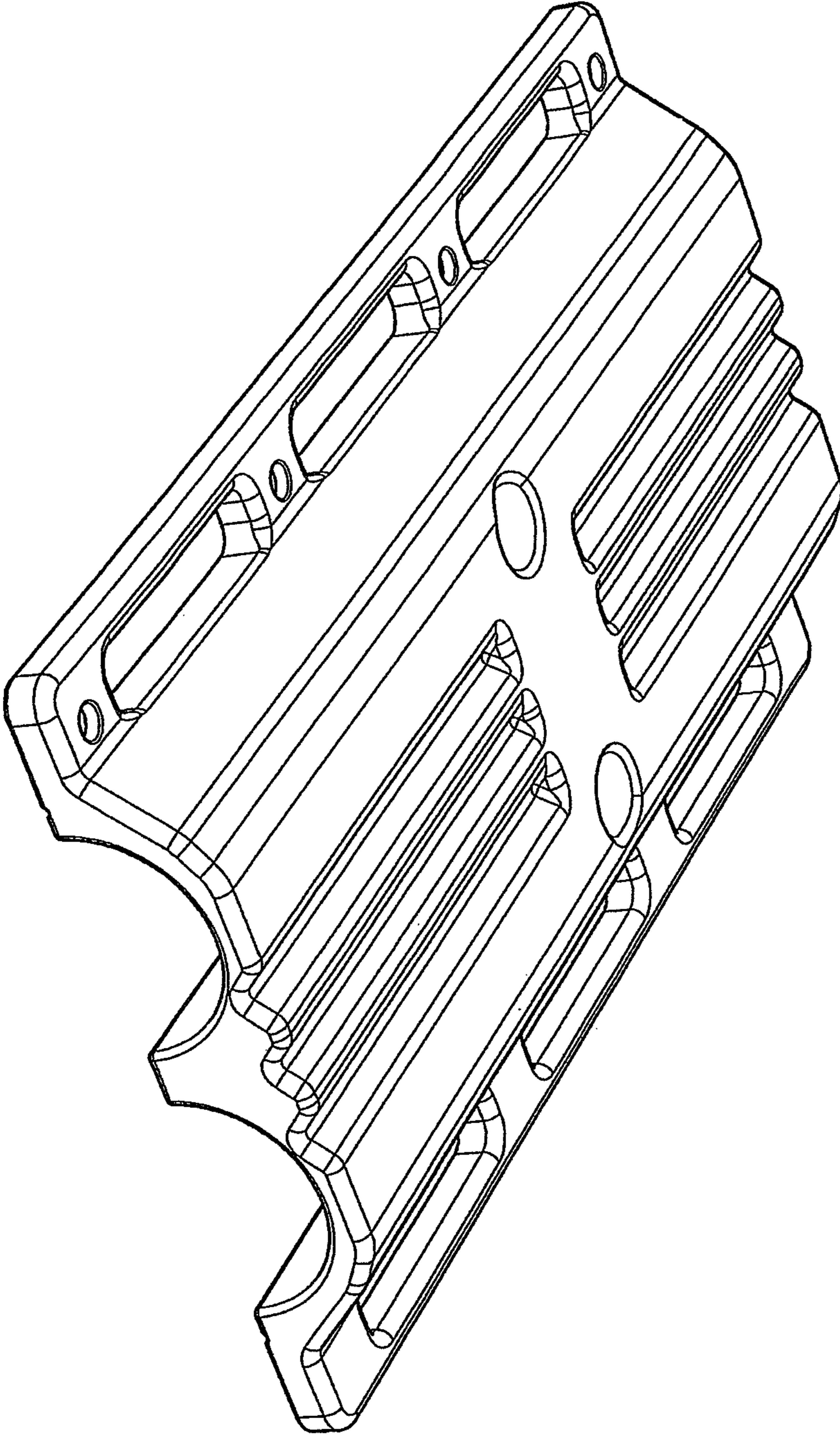


FIG. 2

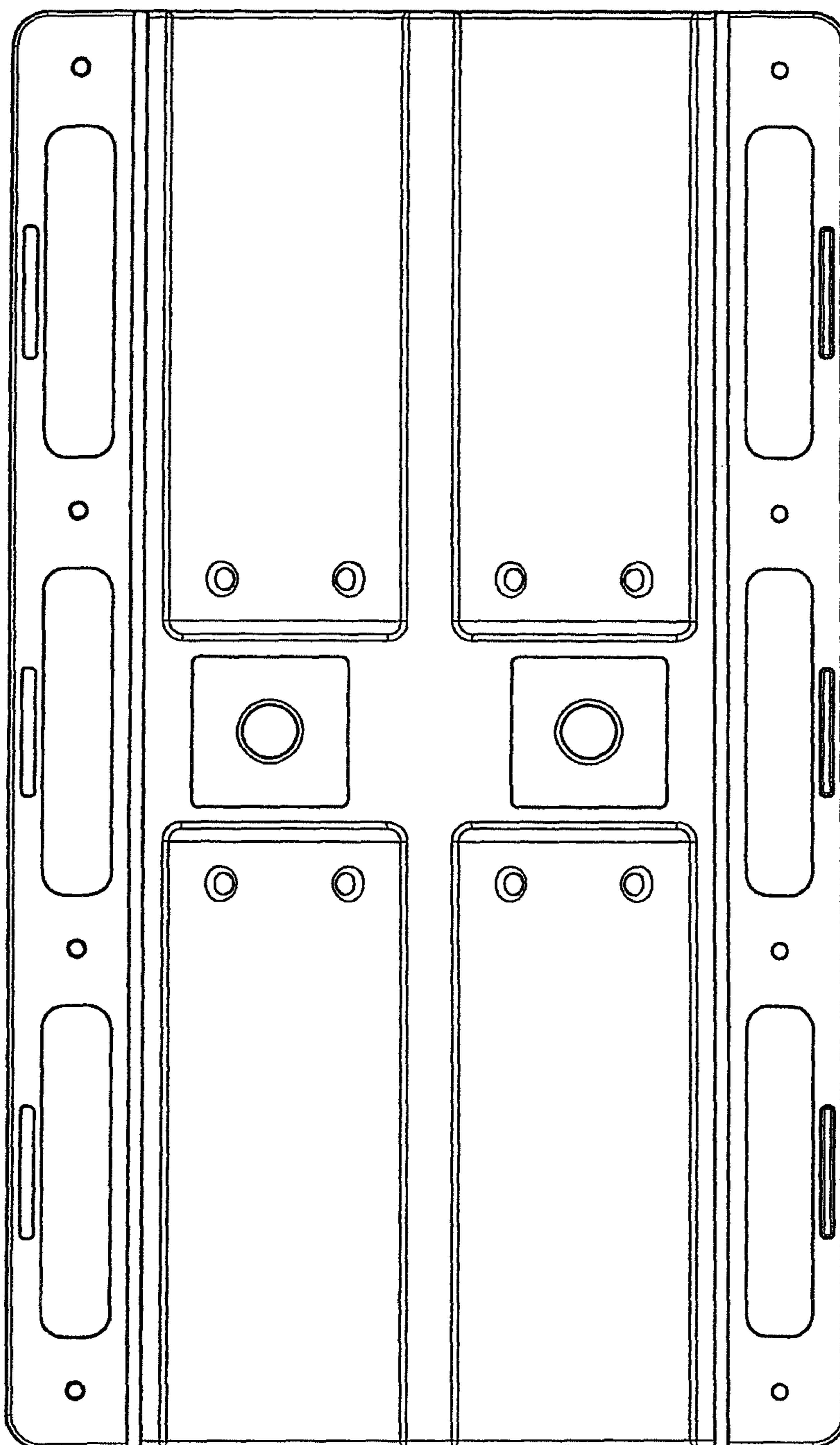


FIG. 3

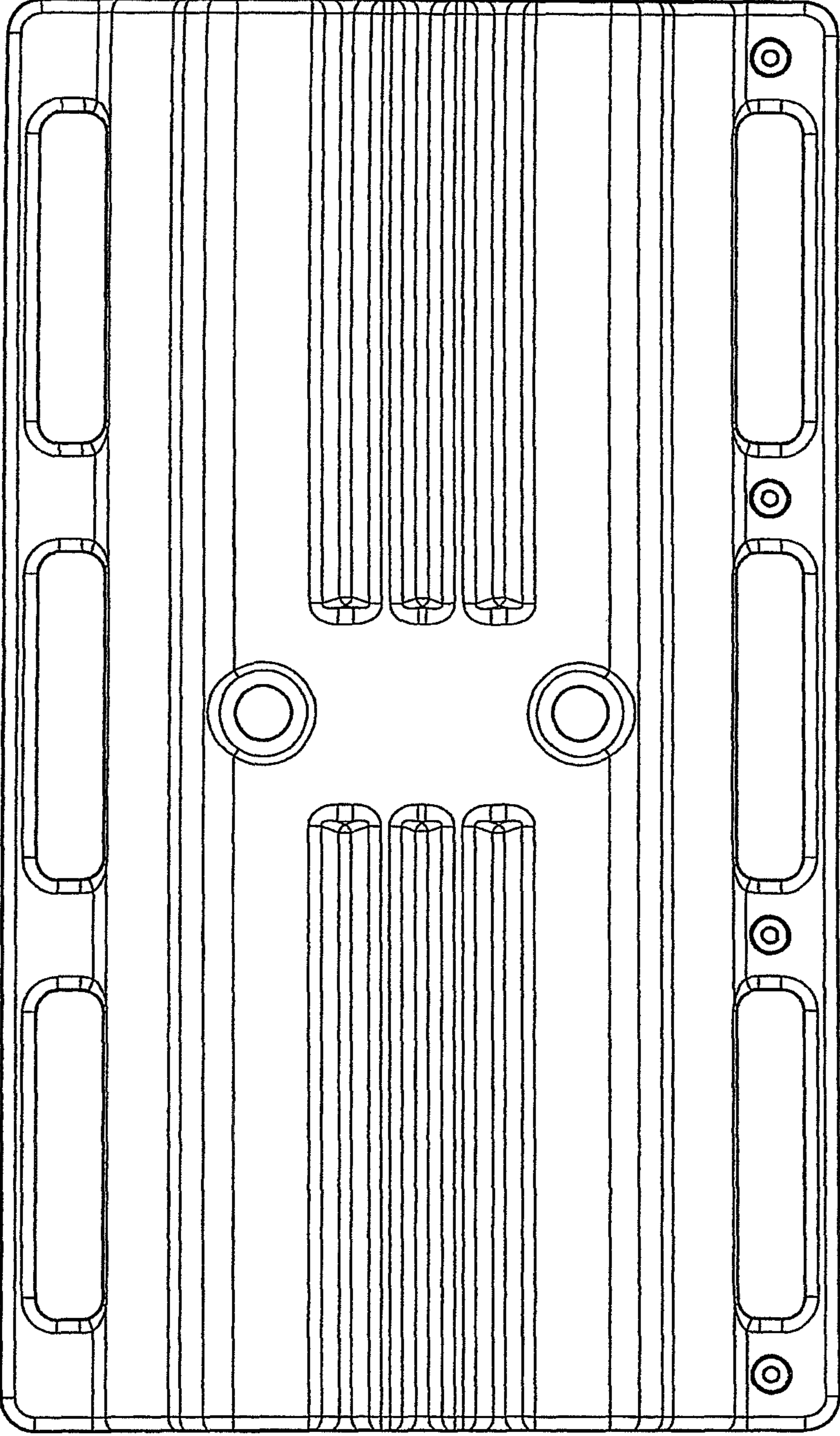


FIG. 4

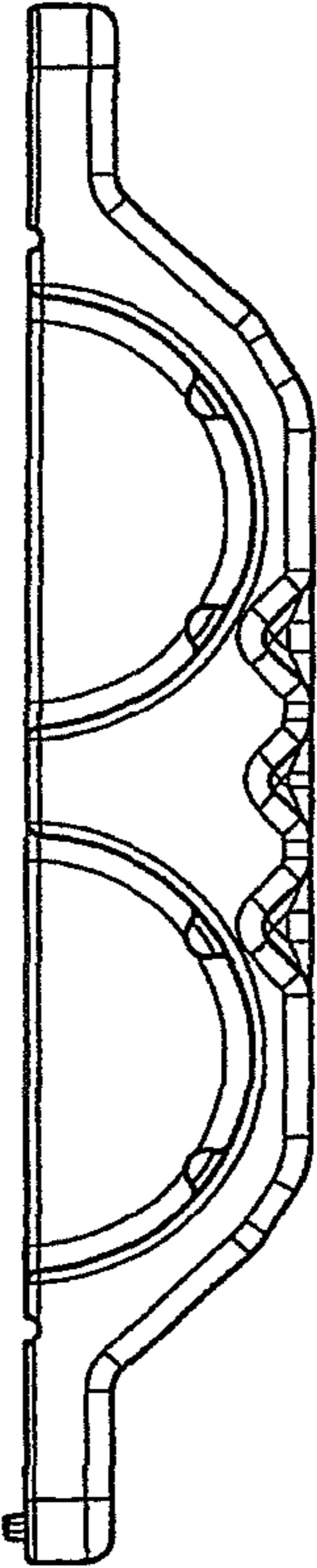


FIG. 5

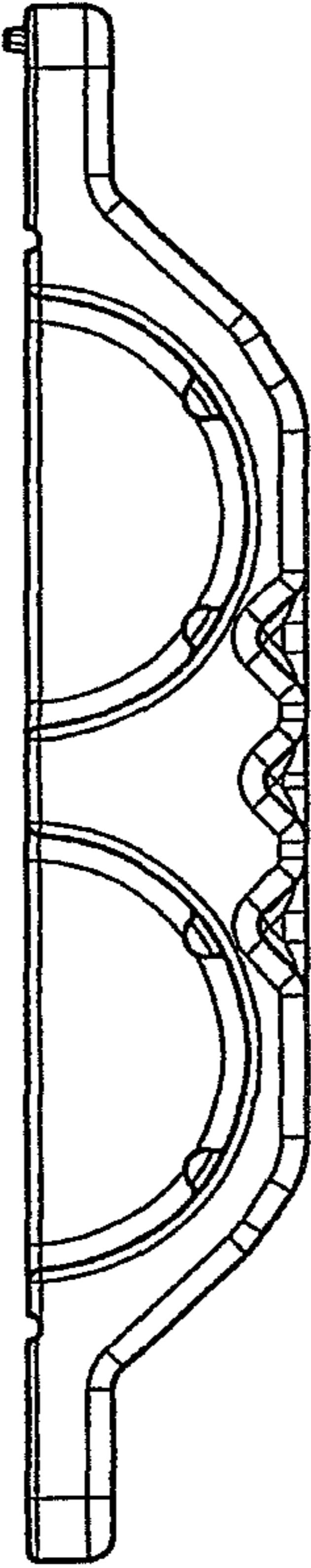


FIG. 6

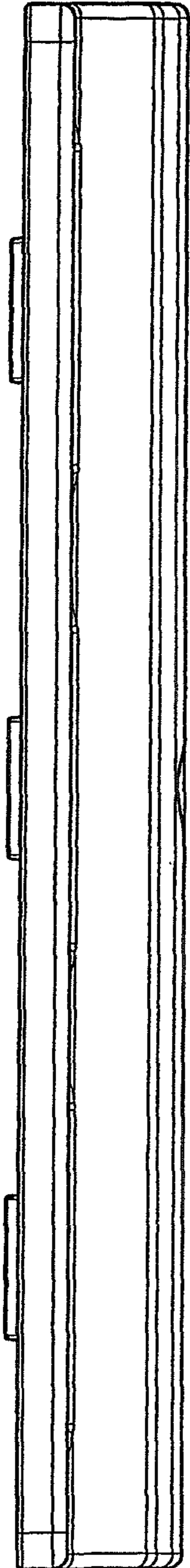


FIG. 7

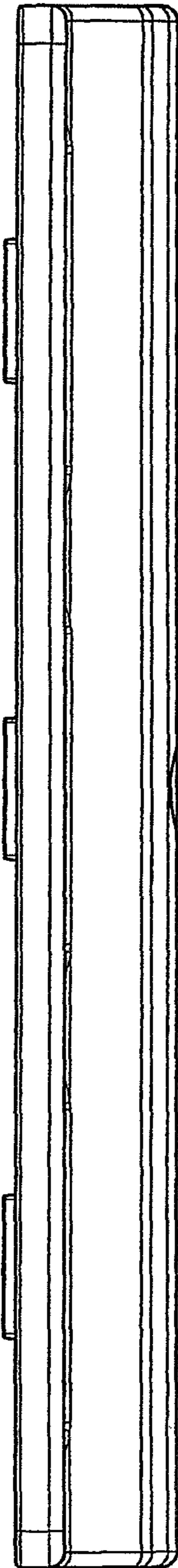


FIG. 8