



US00D707172S

(12) **United States Design Patent**
Chung

(10) **Patent No.:** **US D707,172 S**
(45) **Date of Patent:** **** Jun. 17, 2014**

(54) **AUTOMOTIVE WHEEL**

(71) Applicant: **Suny Chung**, Anaheim, CA (US)

(72) Inventor: **Suny Chung**, Anaheim, CA (US)

(**) Term: **14 Years**

(21) Appl. No.: **29/486,214**

(22) Filed: **Mar. 27, 2014**

(51) **LOC (10) Cl.** **12-16**

(52) **U.S. Cl.**
USPC **D12/211**

(58) **Field of Classification Search**
USPC D12/204-213; 301/37.101, 64.101, 65,
301/64.201

See application file for complete search history.

(56) **References Cited**

U.S. PATENT DOCUMENTS

| | | | | |
|--------------|---------|-------------|-------|---------|
| D456,333 S * | 4/2002 | Pollmann | | D12/211 |
| D466,854 S * | 12/2002 | Kern | | D12/211 |
| D470,812 S * | 2/2003 | Chu | | D12/211 |
| D475,337 S * | 6/2003 | Kataoka | | D12/209 |
| D504,380 S * | 4/2005 | Kushartanto | | D12/209 |
| D508,452 S * | 8/2005 | Tirado | | D12/209 |
| D521,920 S * | 5/2006 | Phillips | | D12/209 |
| D535,238 S * | 1/2007 | Kim | | D12/209 |
| D535,241 S * | 1/2007 | Kim | | D12/211 |
| D540,237 S * | 4/2007 | Kim | | D12/209 |

| | | | | |
|--------------|---------|-------------------|-------|---------|
| D543,493 S * | 5/2007 | Kim | | D12/209 |
| D545,750 S * | 7/2007 | Young | | D12/211 |
| D557,650 S * | 12/2007 | Musser | | D12/211 |
| D558,119 S * | 12/2007 | Guidry | | D12/211 |
| D567,736 S * | 4/2008 | Kim | | D12/209 |
| D576,537 S * | 9/2008 | Chung | | D12/211 |
| D577,650 S * | 9/2008 | Chung | | D12/211 |
| D578,458 S * | 10/2008 | Cortes | | D12/211 |
| D583,739 S * | 12/2008 | Gallert | | D12/209 |
| D617,716 S * | 6/2010 | Lamm et al. | | D12/211 |
| D655,666 S * | 3/2012 | Zhao | | D12/211 |
| D658,108 S * | 4/2012 | Fetherston et al. | | D12/211 |
| D663,249 S * | 7/2012 | Zhang | | D12/211 |
| D683,294 S * | 5/2013 | Pollmann | | D12/209 |
| D683,686 S * | 6/2013 | Alfonso | | D12/211 |
| D701,810 S * | 4/2014 | Zhang | | D12/211 |

* cited by examiner

Primary Examiner — Stacia Cadmus

(57) **CLAIM**

The ornamental design for an automotive wheel, as shown and described.

DESCRIPTION

FIG. 1 is a perspective view of an automotive wheel, showing my new design; and,

FIG. 2 is a front view thereof.

The broken line showing of the rear portion of the wheel is included for the purpose of illustrating environment and forms no part of the claimed design.

1 Claim, 2 Drawing Sheets

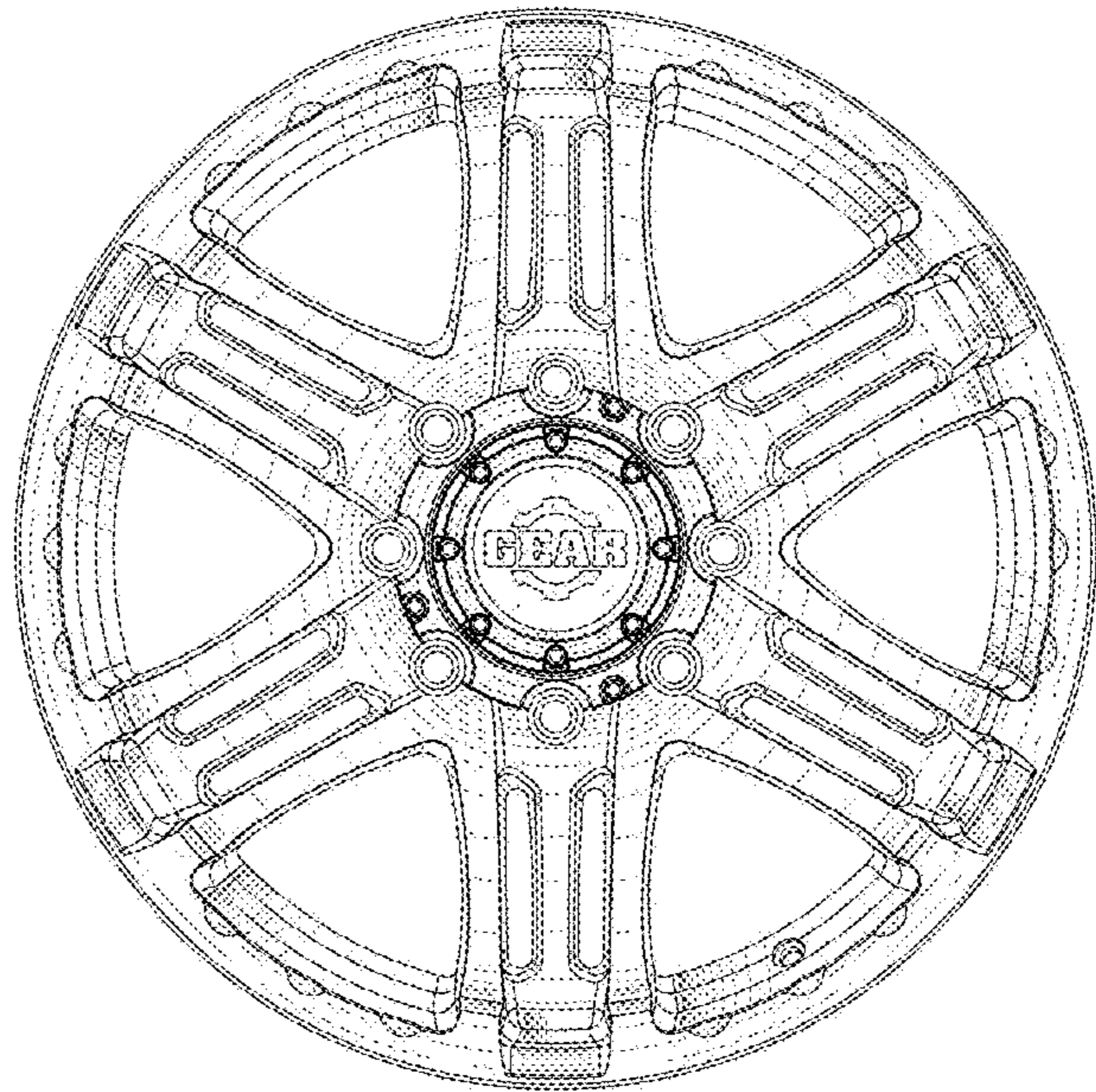
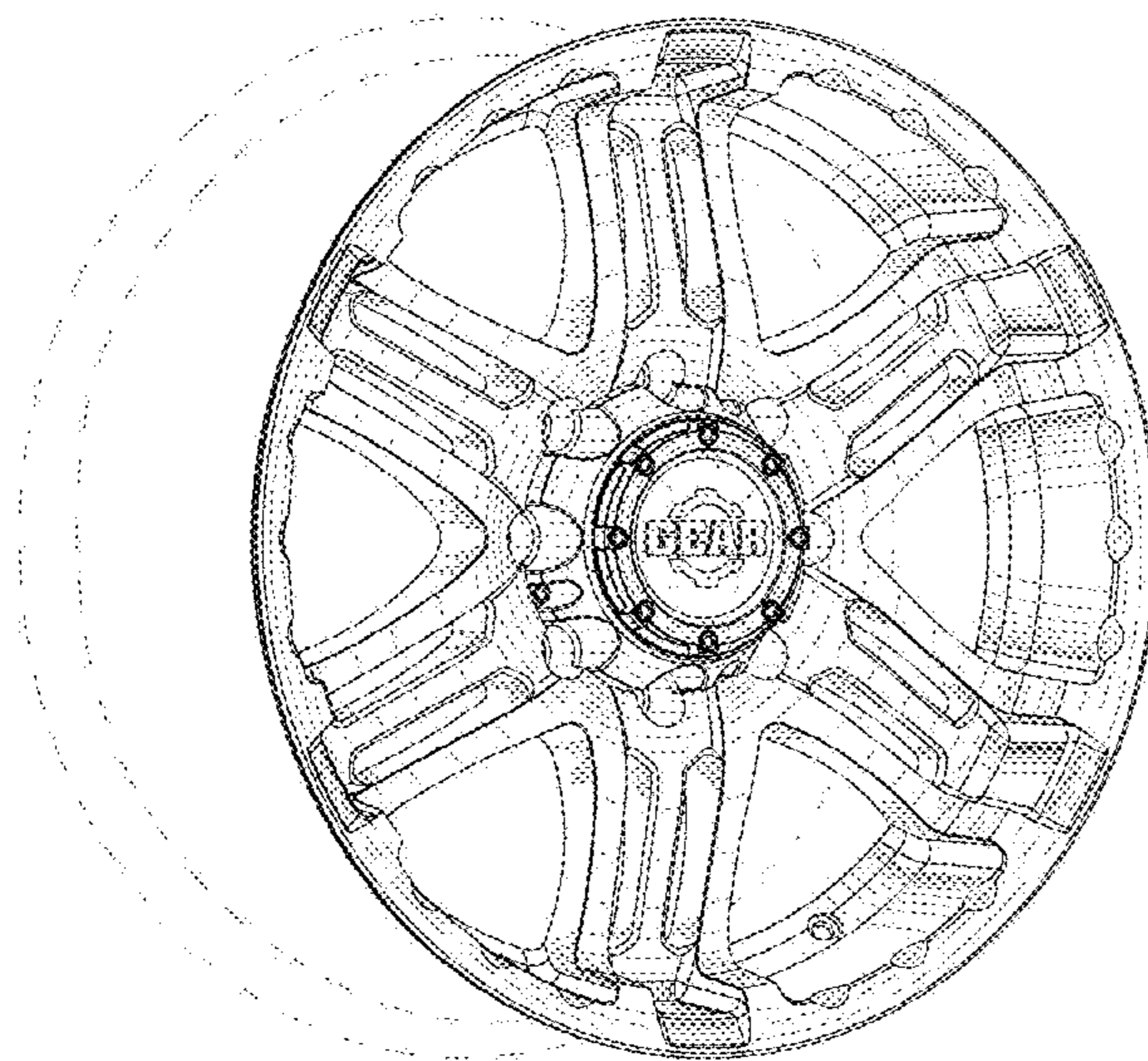


FIGURE 1

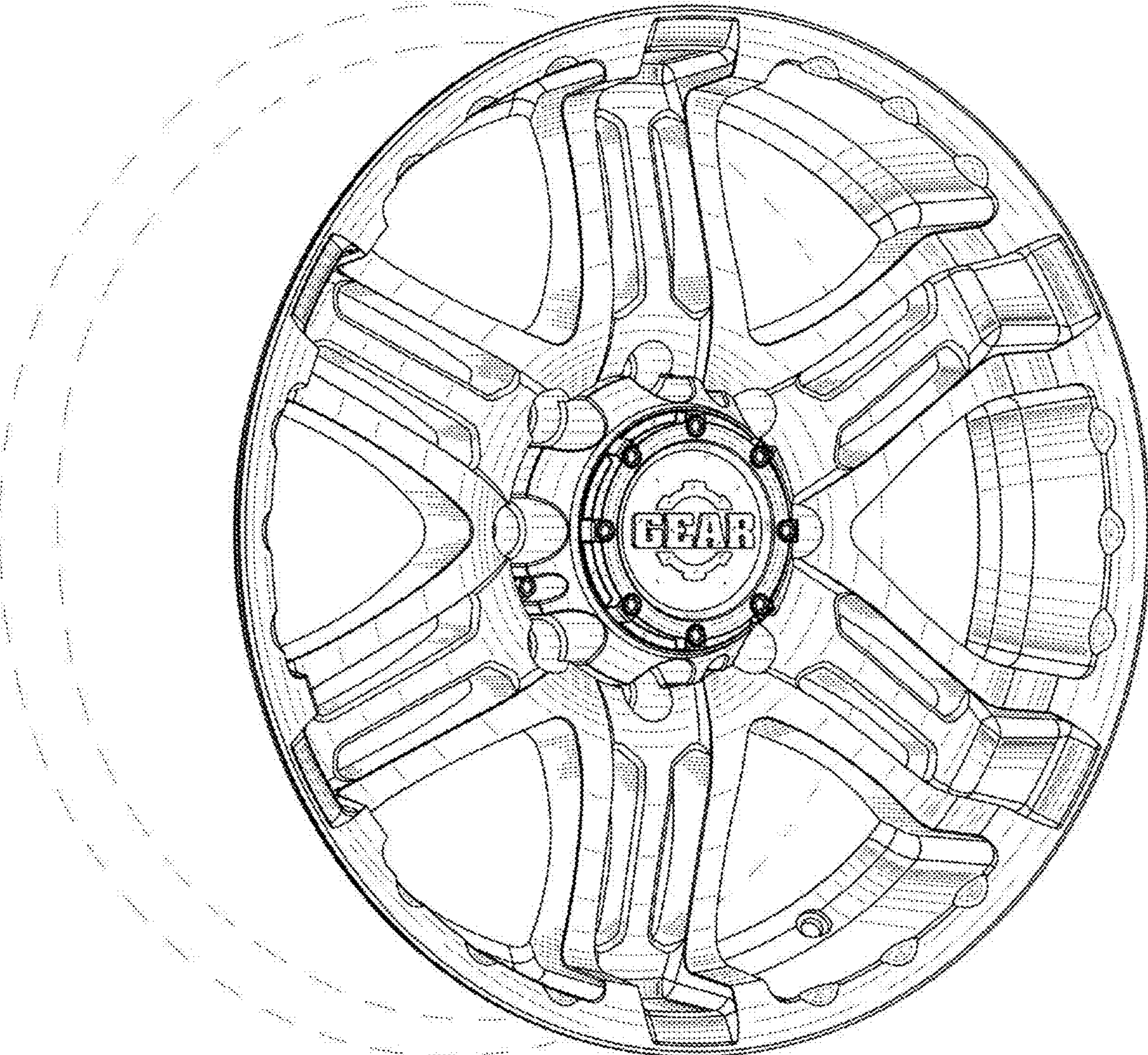


FIGURE 2

