



US00D707167S

(12) **United States Design Patent**
Chung

(10) **Patent No.:** **US D707,167 S**
(45) **Date of Patent:** **** Jun. 17, 2014**

- (54) **AUTOMOTIVE WHEEL**
- (71) Applicant: **Suny Chung**, Anaheim, CA (US)
- (72) Inventor: **Suny Chung**, Anaheim, CA (US)
- (**) Term: **14 Years**
- (21) Appl. No.: **29/479,315**
- (22) Filed: **Jan. 14, 2014**
- (51) **LOC (10) Cl.** **12-16**
- (52) **U.S. Cl.**
USPC **D12/209**
- (58) **Field of Classification Search**
USPC D12/204-213; 301/37.101, 64.101, 65,
301/64.201
See application file for complete search history.

D529,430 S *	10/2006	Hsu	D12/209
D543,493 S *	5/2007	Kim	D12/209
D548,165 S *	8/2007	Young	D12/211
D578,458 S *	10/2008	Cortes	D12/211
D582,831 S *	12/2008	Musser	D12/211
D586,715 S *	2/2009	Cortes	D12/211
D597,012 S *	7/2009	Chung	D12/211
D624,863 S *	10/2010	Zhao	D12/211
D655,666 S *	3/2012	Zhao	D12/211
D683,686 S *	6/2013	Alfonso	D12/211
D688,187 S *	8/2013	McMath	D12/209

* cited by examiner

Primary Examiner — Stacia Cadmus

(57) **CLAIM**

The ornamental design for an automotive wheel, as shown and described.

DESCRIPTION

FIG. 1 is a front view of an automotive wheel, showing my new design; and, FIG. 2 is a perspective view thereof. The broken line showing of the rear portion of the wheel is included for the purpose of illustrating environment and forms no part of the claimed design.

1 Claim, 2 Drawing Sheets

- (56) **References Cited**
U.S. PATENT DOCUMENTS
- | | | | |
|--------------|---------|---------------|---------|
| D470,812 S * | 2/2003 | Chu | D12/211 |
| D482,307 S * | 11/2003 | Lee | D12/211 |
| D495,290 S * | 8/2004 | Chung | D12/211 |
| D520,932 S * | 5/2006 | Guevara | D12/211 |
| D528,062 S * | 9/2006 | Hosoi | D12/211 |

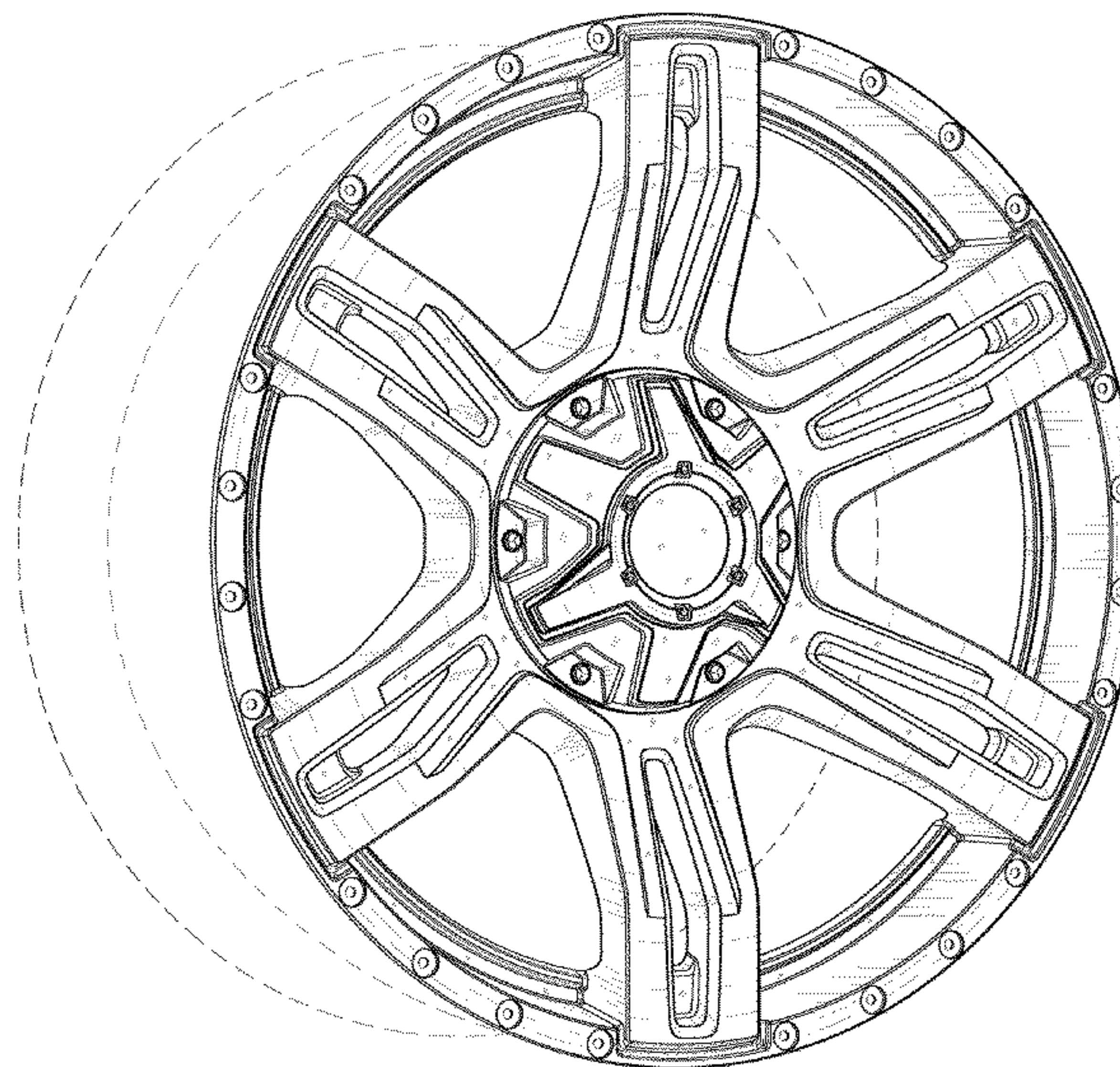
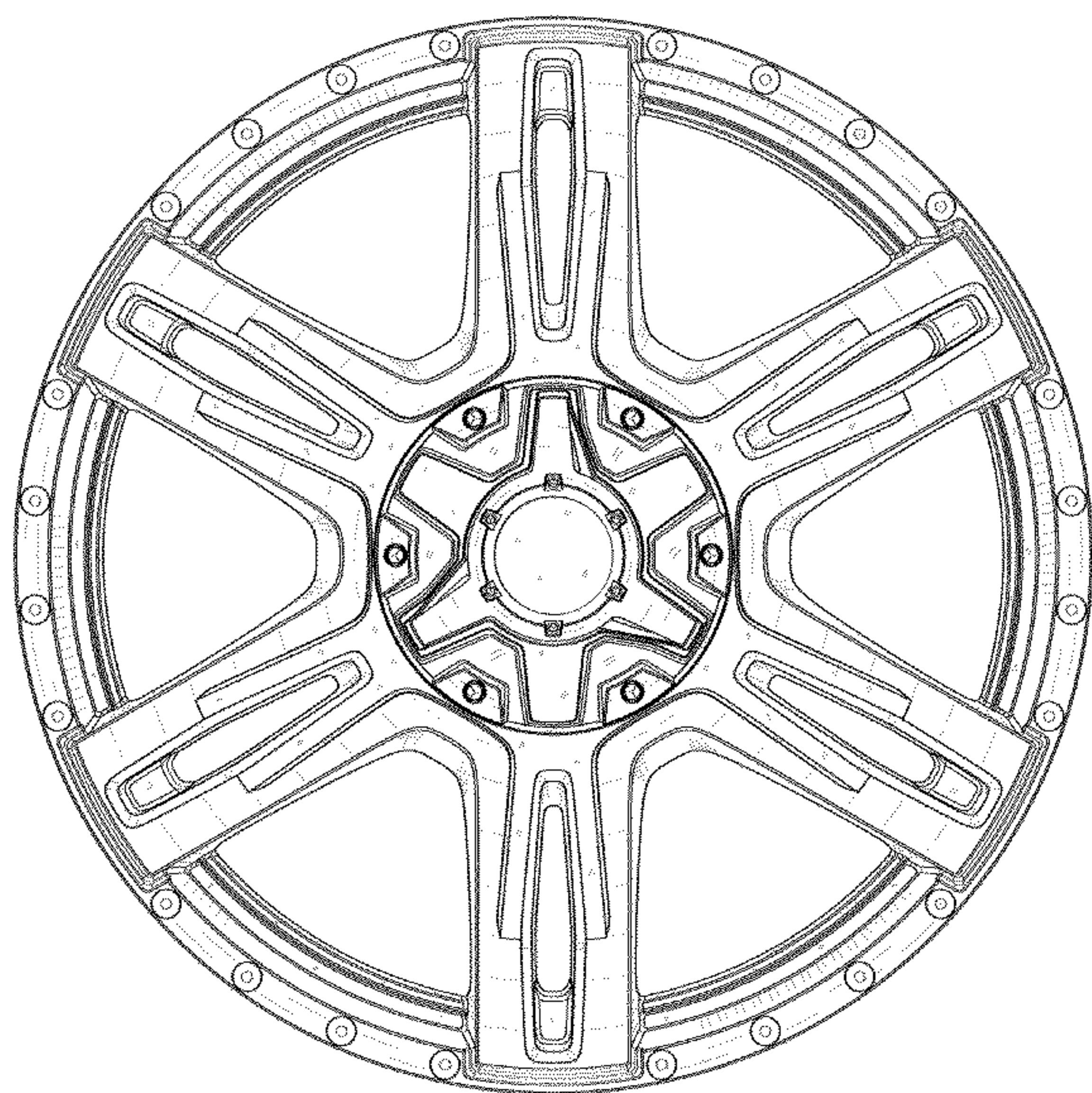


FIGURE 1

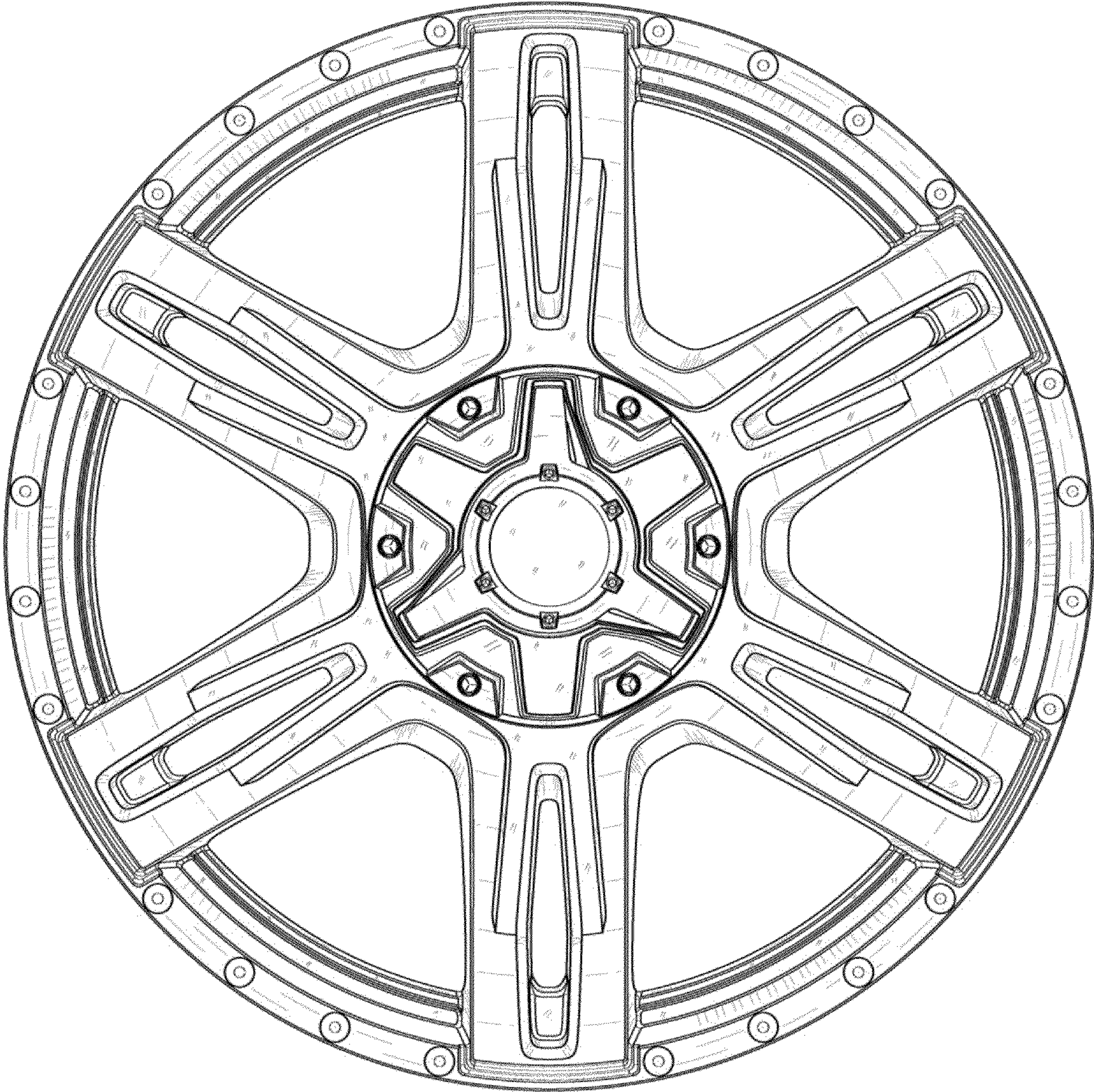


FIGURE 2

