



US00D707155S

(12) **United States Design Patent**
Lee

(10) **Patent No.:** **US D707,155 S**
(45) **Date of Patent:** **** Jun. 17, 2014**

- (54) **DECORATIVE WINDMILL BASE**
- (76) Inventor: **Lawrence K. Lee**, Houston, TX (US)
- (**) Term: **14 Years**
- (21) Appl. No.: **29/414,222**
- (22) Filed: **Feb. 27, 2012**
- (51) **LOC (10) Cl.** **11-02**
- (52) **U.S. Cl.**
USPC **D11/164**
- (58) **Field of Classification Search**
USPC D11/131, 157, 164; D21/510; D25/1;
D15/1; 446/217; 416/132 B
See application file for complete search history.

(56) **References Cited**

U.S. PATENT DOCUMENTS

150,489	A *	5/1874	Smith	416/132 R
201,286	A *	3/1878	Quie	416/132 R
D34,850	S *	7/1901	Attwater	D21/510
D122,433	S *	9/1940	Edens	D15/1
D205,460	S *	8/1966	Doty	D10/59
D218,466	S *	8/1970	Fier	D11/157
D253,268	S *	10/1979	Whitmire	D11/149
D279,293	S *	6/1985	Sutz	D15/1
4,818,181	A *	4/1989	Kodric	416/196 A
D458,185	S *	6/2002	Harklau	D11/157

D682,732 S * 5/2013 Dubow D11/157

* cited by examiner

Primary Examiner — T. Chase Nelson
Assistant Examiner — Michelle E Wilson

(74) *Attorney, Agent, or Firm* — Egbert Law Offices, PLLC

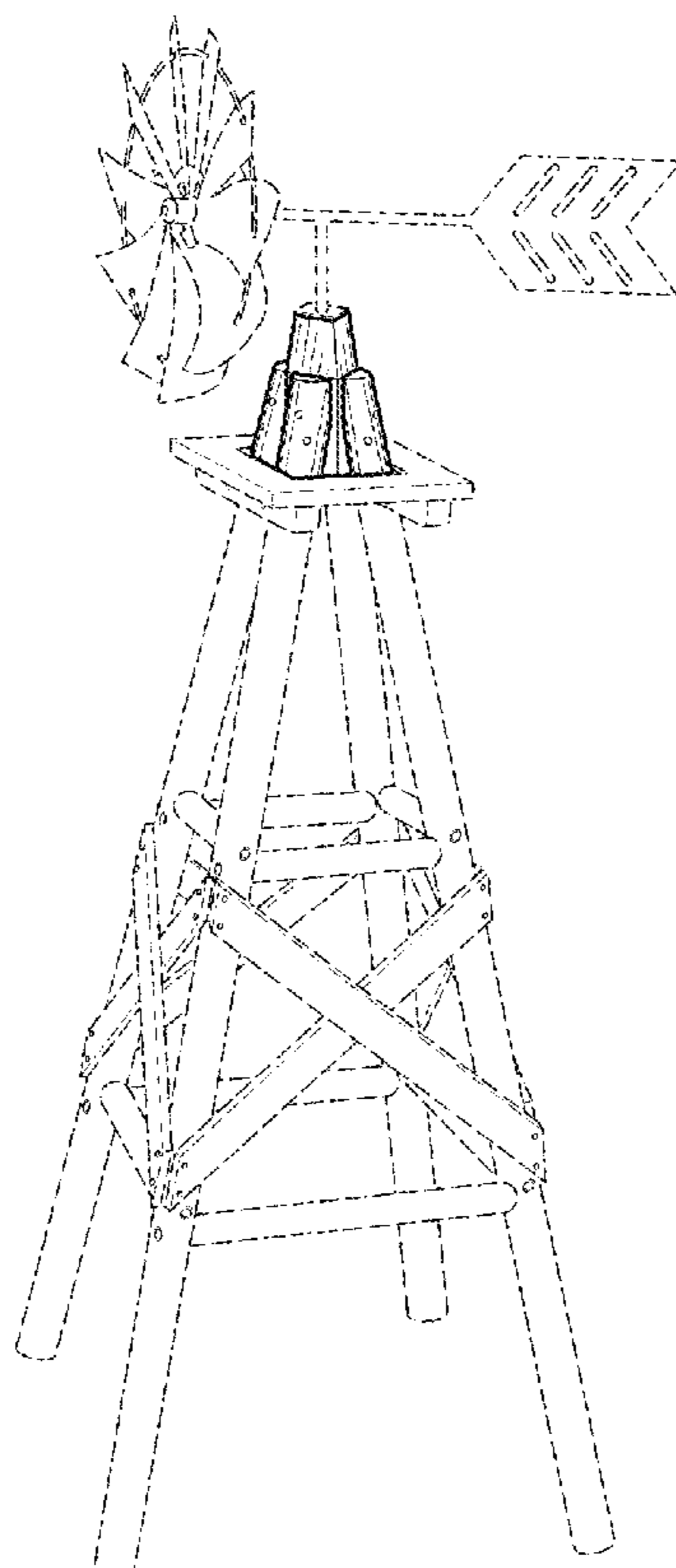
(57) **CLAIM**

The ornamental design for a decorative windmill base, as shown and described.

DESCRIPTION

FIG. 1 is a perspective view of the decorative windmill base showing my design.
 FIG. 2 is a front view thereof, a rear view being identical;
 FIG. 3 is a top view thereof;
 FIG. 4 is a side view thereof, an opposite side view being identical;
 FIG. 5 is a bottom view thereof;
 FIG. 6 is a perspective view thereof, in an alternate position wherein the legs of the decorative windmill base taper farther upwardly;
 FIG. 7 is an isolated perspective view thereof; and,
 FIG. 8 is an isolated perspective view thereof, in an alternate position wherein the legs of the decorative windmill base taper farther upwardly.
 The features presented in broken lines are for environmental purposes only and form no part of the claimed design.

1 Claim, 3 Drawing Sheets



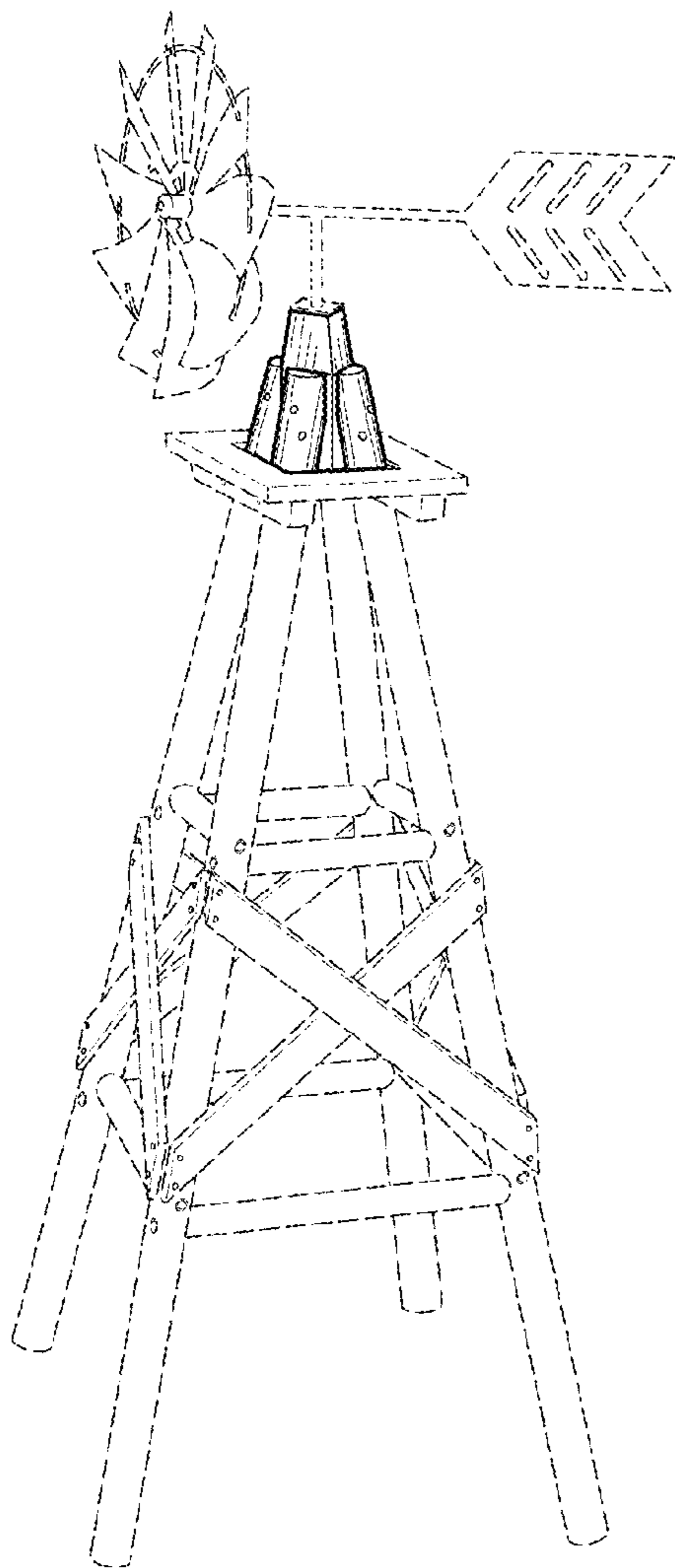


FIG. 1

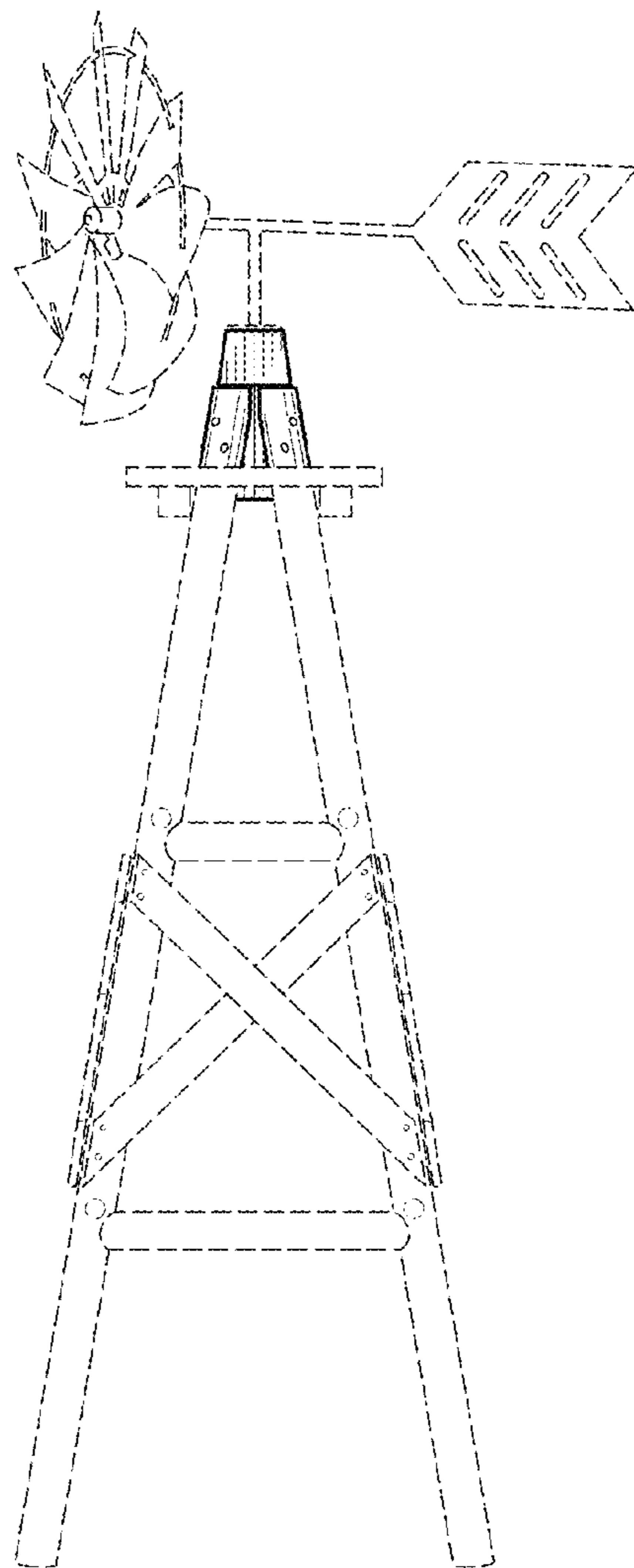


FIG. 2

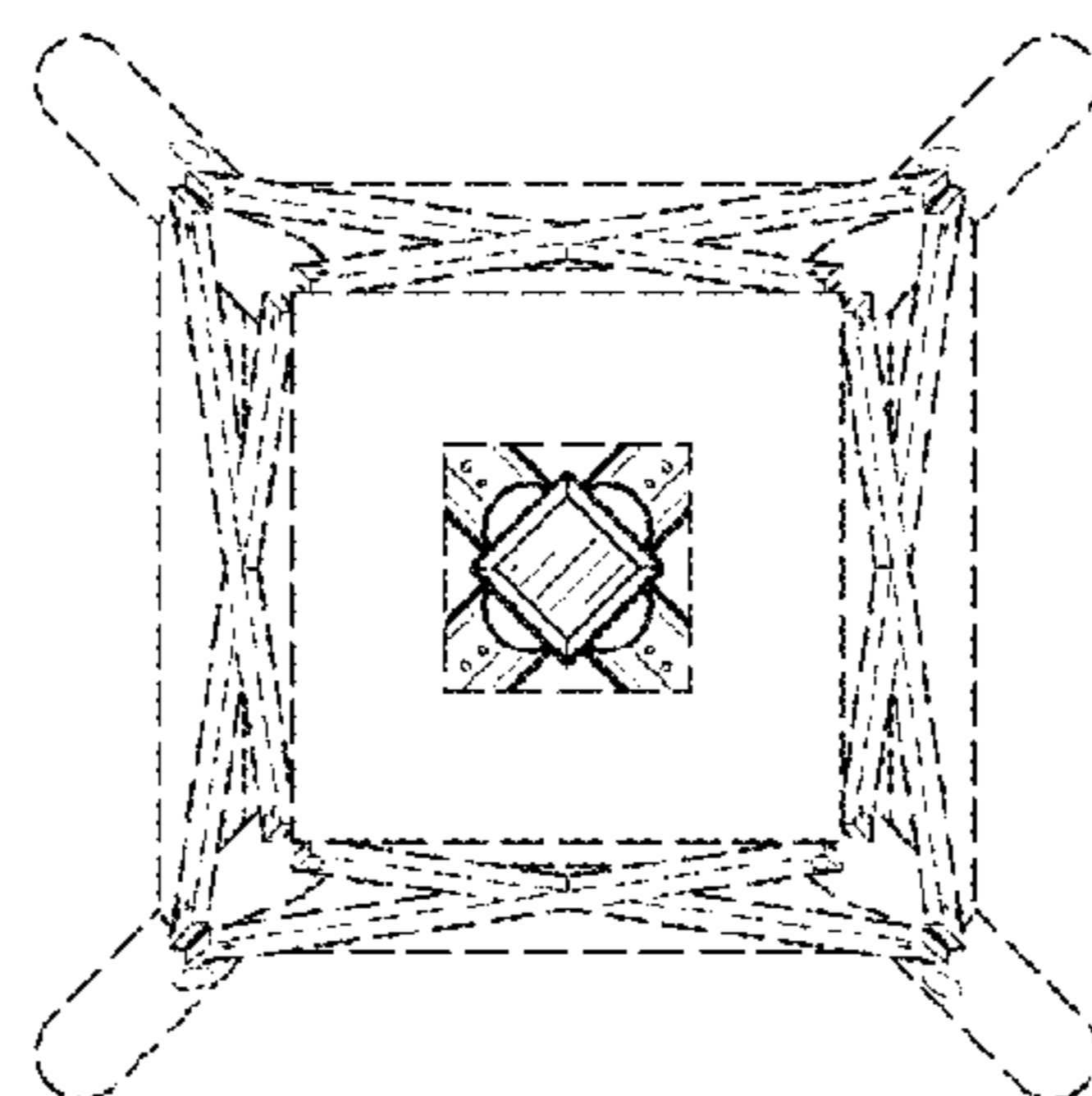


FIG. 3

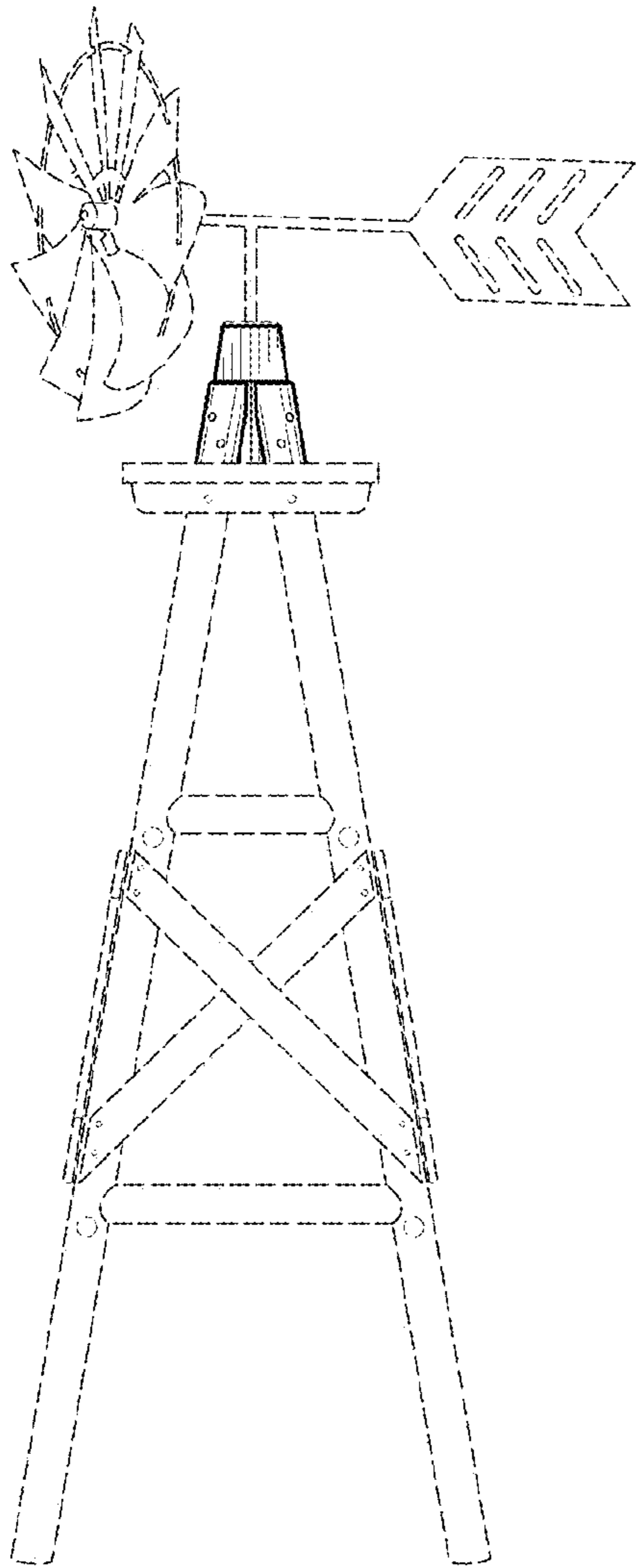


FIG. 4

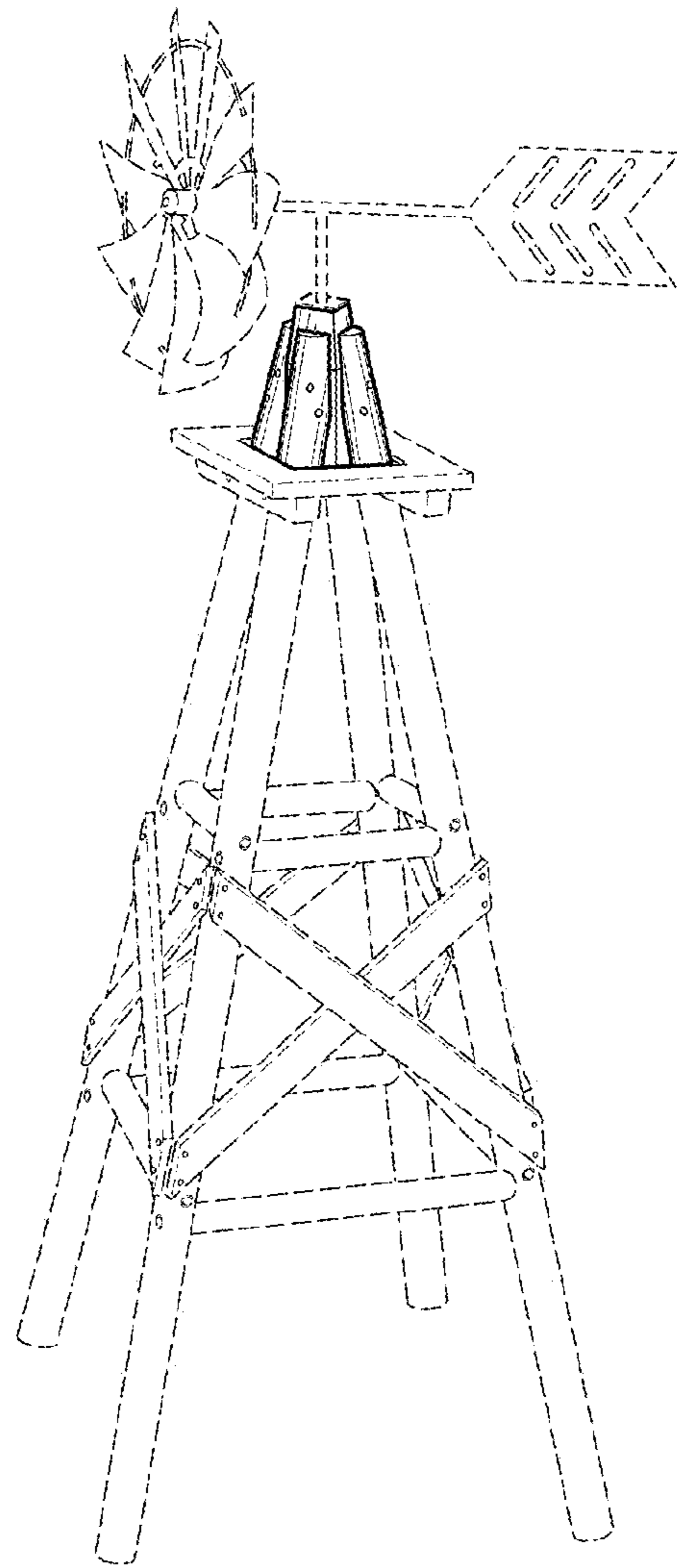


FIG. 6

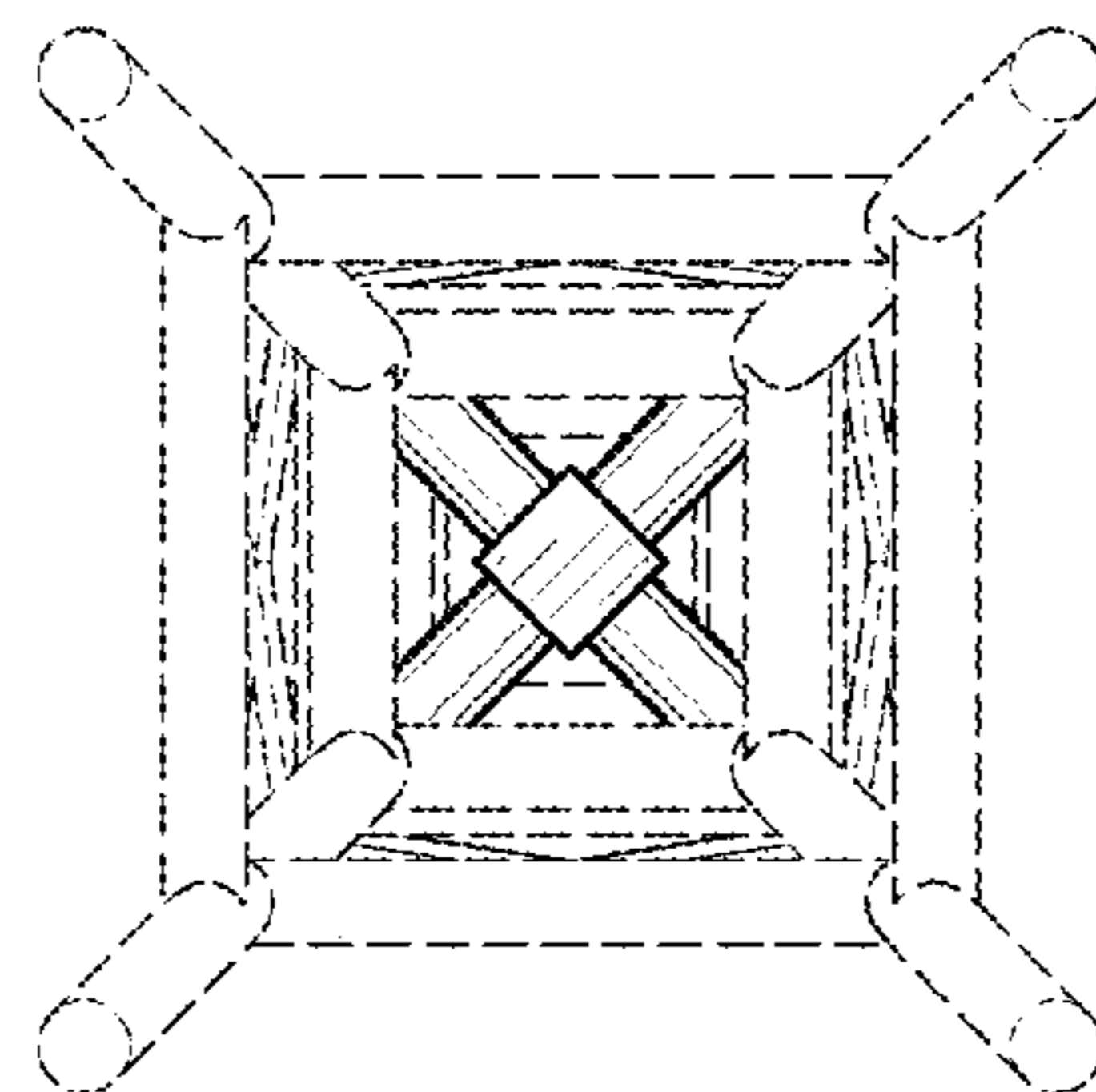


FIG. 5

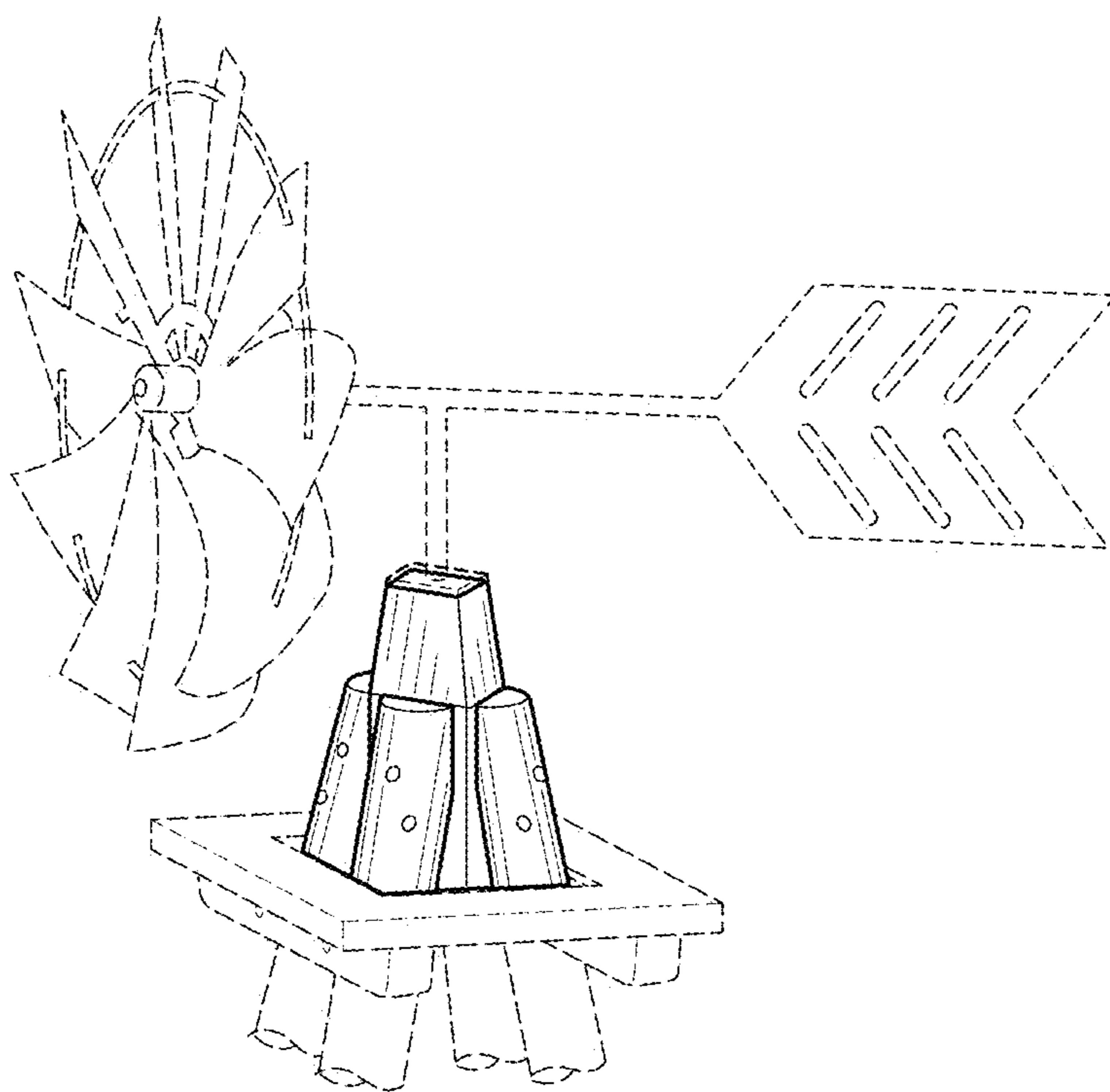


FIG. 7

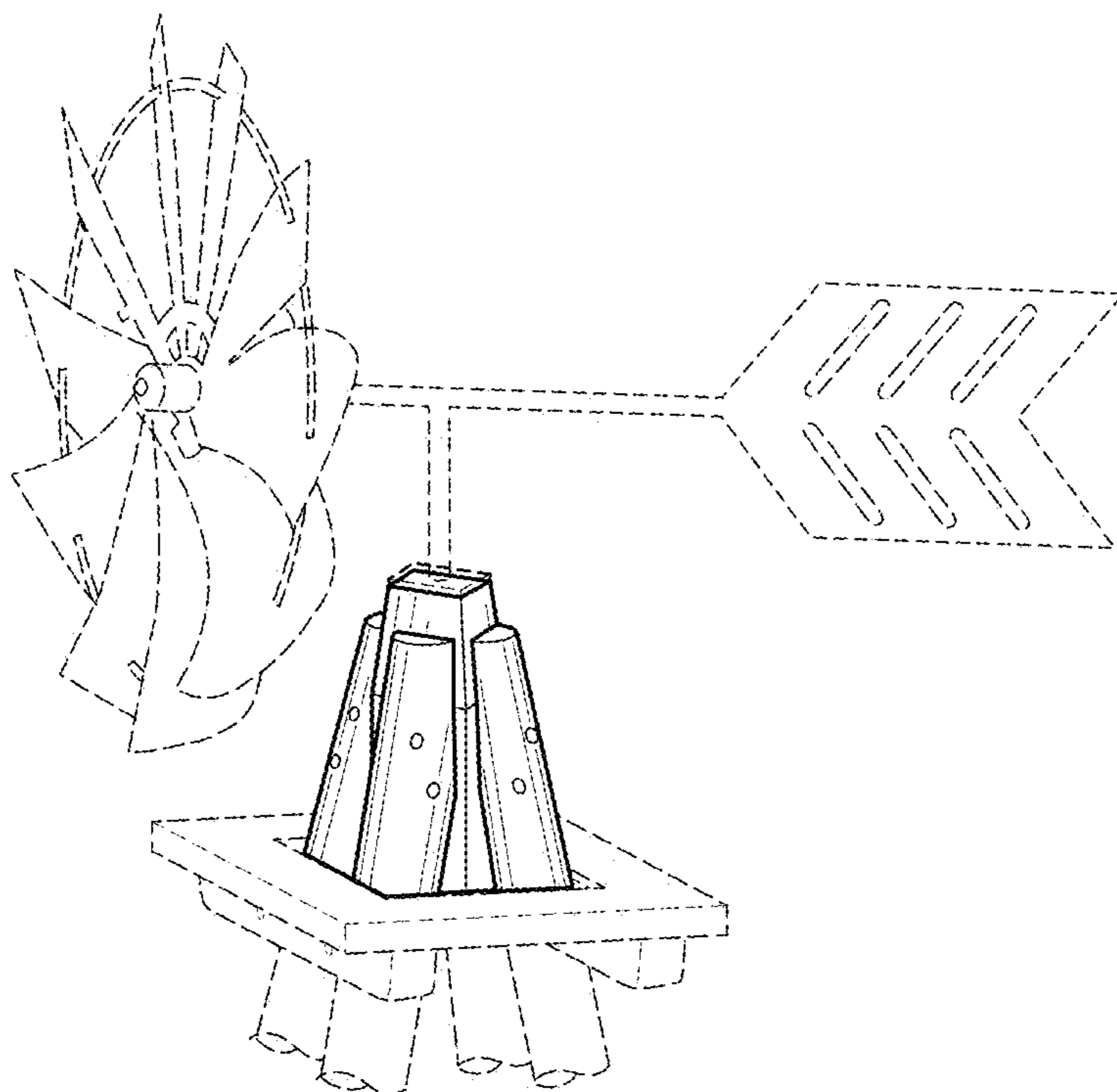


FIG. 8