



US00D707153S

(12) **United States Design Patent**
Meissner

(10) **Patent No.:** **US D707,153 S**

(45) **Date of Patent:** **** Jun. 17, 2014**

(54) **FASTENER FOR A RELOCATABLE ORNAMENT**

(76) Inventor: **Callahan Meissner**, Lee's Summit, MO (US)

(**) Term: **14 Years**

(21) Appl. No.: **29/405,024**

(22) Filed: **Oct. 27, 2011**

(51) **LOC (10) Cl.** **11-01**

(52) **U.S. Cl.**
USPC **D11/87; D11/1**

(58) **Field of Classification Search**
USPC D11/1, 2, 3, 7, 11, 26-50, 86-89, 200, D11/221, 222, 226, 206, 207, 213, 215, 93; 351/52; 63/12, 900, 38, 35; 24/453, 24/705, 3.1, 707.6, 706.9, 108, 707.1; 2/84, 410; D8/349, 352, 310, 333; D2/640; D16/339; 427/260; D29/114
See application file for complete search history.

D308,948 S * 7/1990 Anderson D11/30
D309,280 S * 7/1990 Balfanz-Lee D11/215
4,968,128 A 11/1990 Mendola
4,974,956 A 12/1990 Gill
5,161,234 A 11/1992 Nitta
D337,967 S * 8/1993 Wright D11/226
D363,683 S * 10/1995 Spurgeon et al. D11/88
5,497,211 A 3/1996 McNulty
5,500,693 A 3/1996 Friedman
D370,023 S * 5/1996 Torrey D16/339
D370,492 S * 6/1996 Torrey D16/339
5,577,396 A * 11/1996 Cannon 63/13
5,654,787 A 8/1997 Barison
5,675,988 A 10/1997 Ignatowski

(Continued)

Primary Examiner — Garth Rademaker

Assistant Examiner — Melanie Pellegrini

(74) *Attorney, Agent, or Firm* — John Karl Buche; Buche & Associates, P.C.

(57) **CLAIM**

The ornamental design for a fastener for a relocatable ornament, as shown and described.

DESCRIPTION

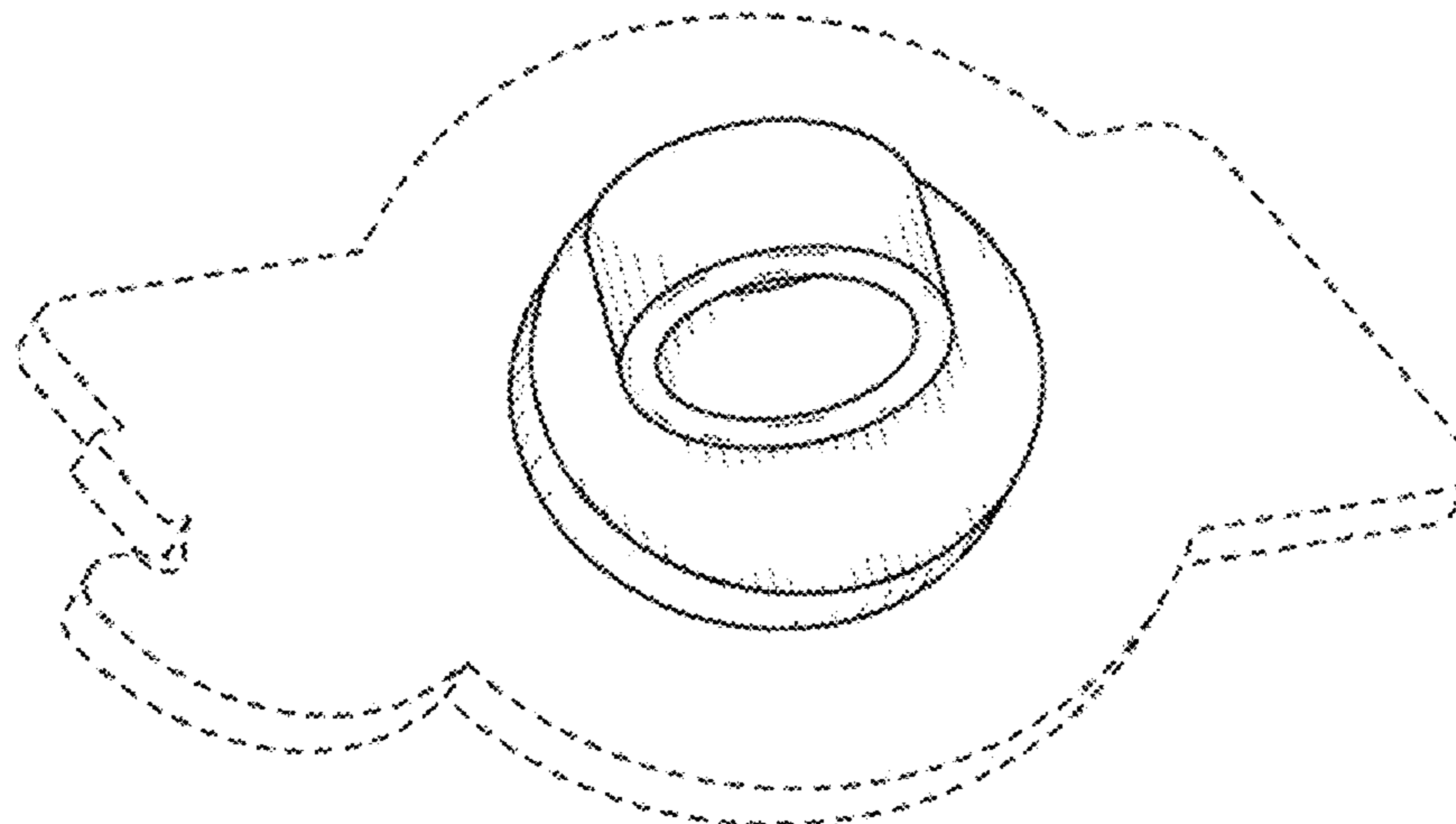
FIG. 1 is a rear perspective view of a fastener for a relocatable ornament showing my new design;
FIG. 2 is a front elevational view thereof;
FIG. 3 is a rear elevational view thereof;
FIG. 4 is a right side elevational view thereof;
FIG. 5 is a left side elevational view thereof;
FIG. 6 is a bottom plan view thereof;
FIG. 7 is a top plan view thereof;
FIG. 8 is a front elevational view thereof, shown in an environment of use; and,
FIG. 9 is a front elevational view thereof, shown in an alternate environment of use.
The broken lines shown in the drawings represent environmental matter and form no part of the claimed design.

1 Claim, 3 Drawing Sheets

(56) **References Cited**

U.S. PATENT DOCUMENTS

625,890 A * 5/1899 Mann 24/705
1,080,735 A * 12/1913 Tolchin 24/705
2,682,724 A 7/1954 Pattillo
D174,340 S * 3/1955 Meltz D11/222
2,724,834 A 11/1955 Henderson et al.
2,835,063 A 5/1958 Worthington
D235,584 S * 6/1975 Hall D3/207
3,979,795 A 9/1976 Seron
4,105,304 A 8/1978 Baker
4,298,991 A 11/1981 Recenello
4,471,509 A 9/1984 Marks
4,630,452 A * 12/1986 Connelly et al. 63/12
4,753,828 A * 6/1988 Francis et al. 427/260
D302,401 S * 7/1989 Weingast D11/88
4,907,425 A * 3/1990 Elkin 63/12
4,909,620 A 3/1990 Saccone
4,927,258 A 5/1990 McKenna et al.



(56)

References Cited

U.S. PATENT DOCUMENTS

5,896,184 A 4/1999 Lowe et al.
5,912,718 A * 6/1999 Murai et al. 351/52
6,027,213 A 2/2000 Ignatowski
D425,544 S * 5/2000 Erpillo D16/341
6,058,581 A * 5/2000 Ehrlund 24/705
D444,237 S * 6/2001 Stone D24/173
D449,564 S * 10/2001 Platt D11/222
6,317,941 B1 * 11/2001 Hamm, Jr. 24/656

D452,455 S * 12/2001 Rimes D11/2
6,520,635 B1 2/2003 Ignatowski
6,557,220 B1 * 5/2003 Hamm, Jr. 24/705
D553,804 S * 10/2007 Kaposi D29/114
7,591,554 B2 * 9/2009 Guerrero 351/52
D601,915 S * 10/2009 Heroux D11/87
7,818,852 B2 * 10/2010 Van der Gref 24/705
D676,776 S * 2/2013 Williams D11/26
8,621,723 B2 * 1/2014 Meissner 24/3.1
2007/0022779 A1 * 2/2007 Christians 63/35

* cited by examiner

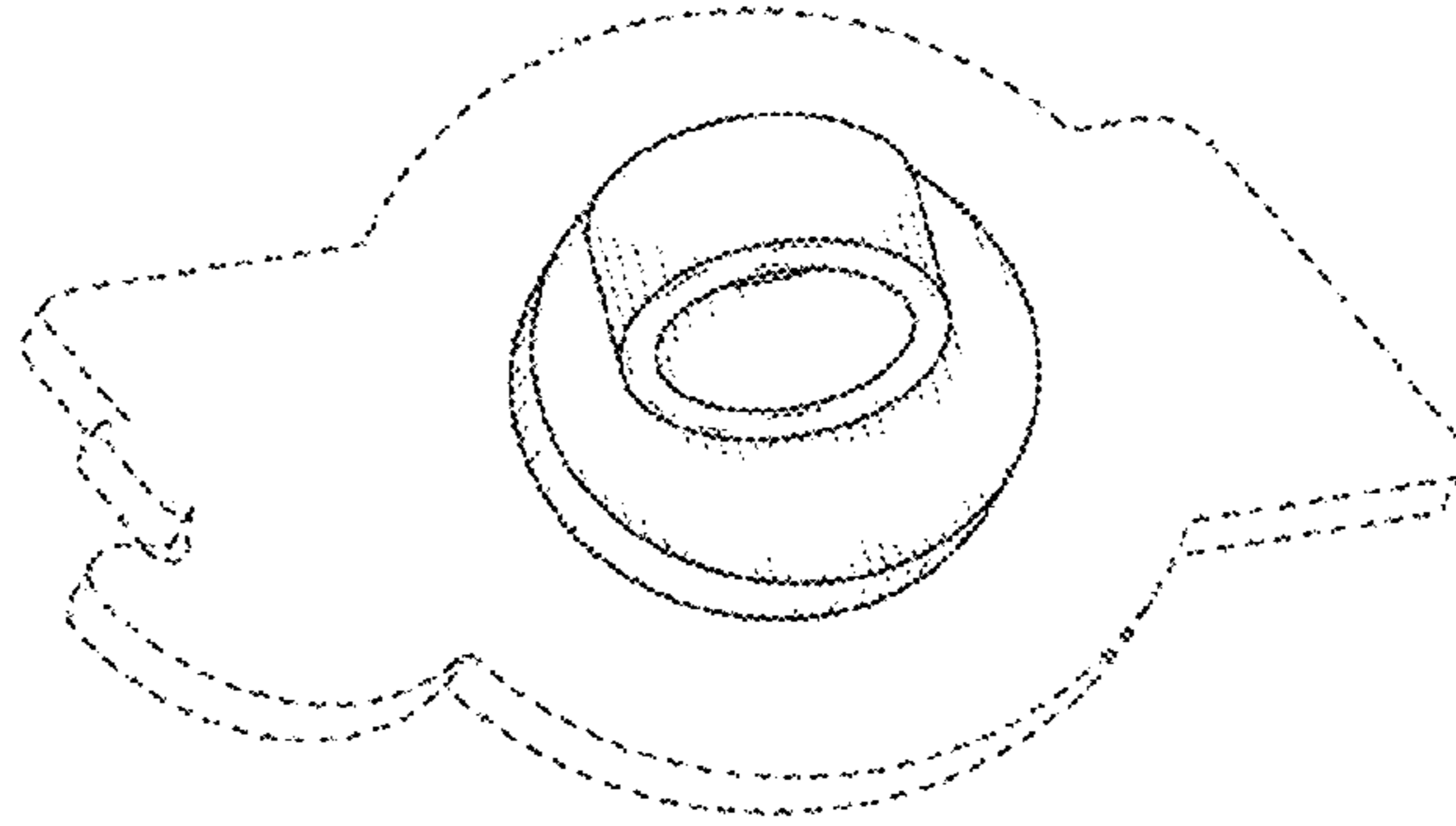


FIG. 1

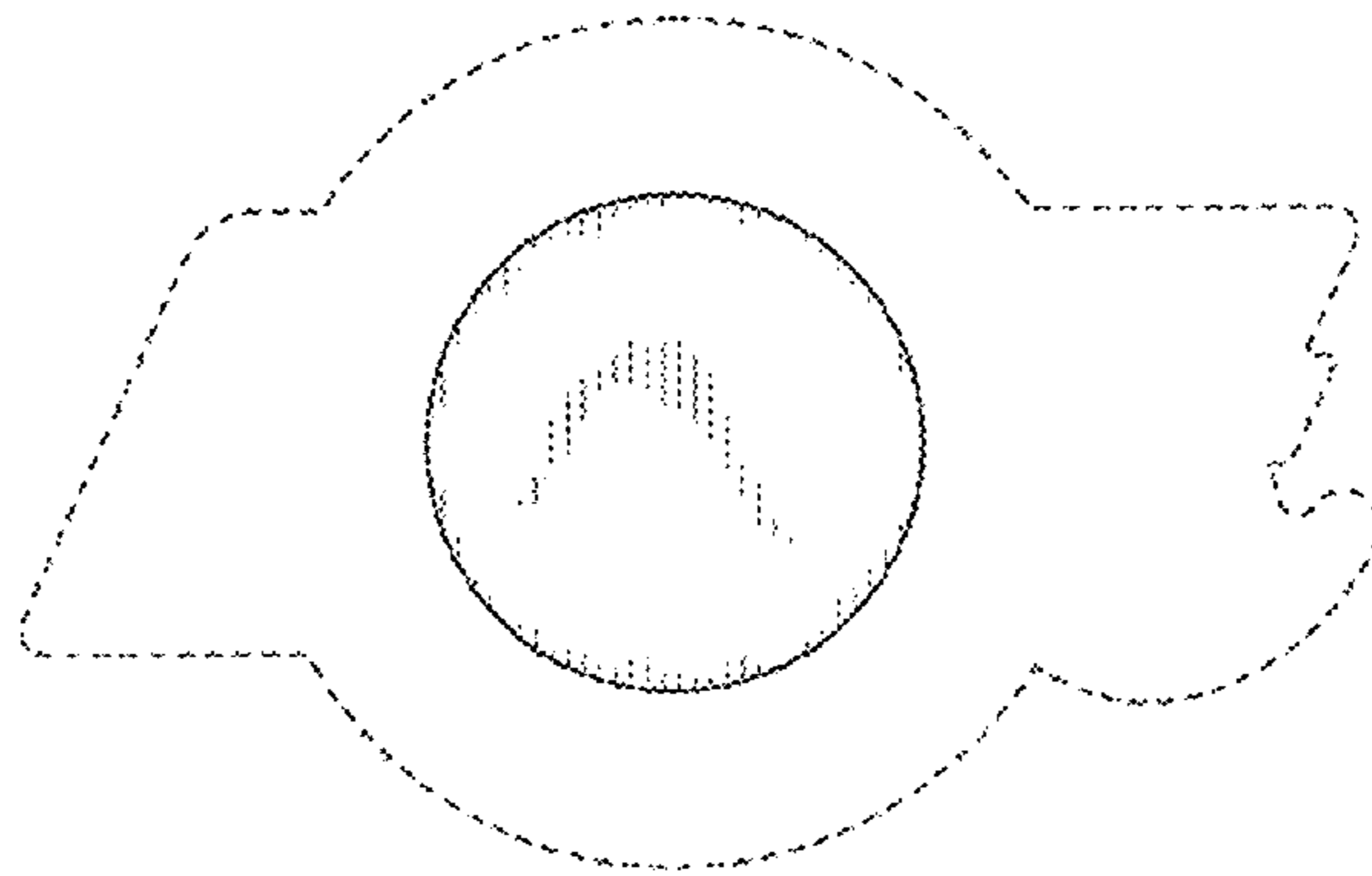


FIG. 2

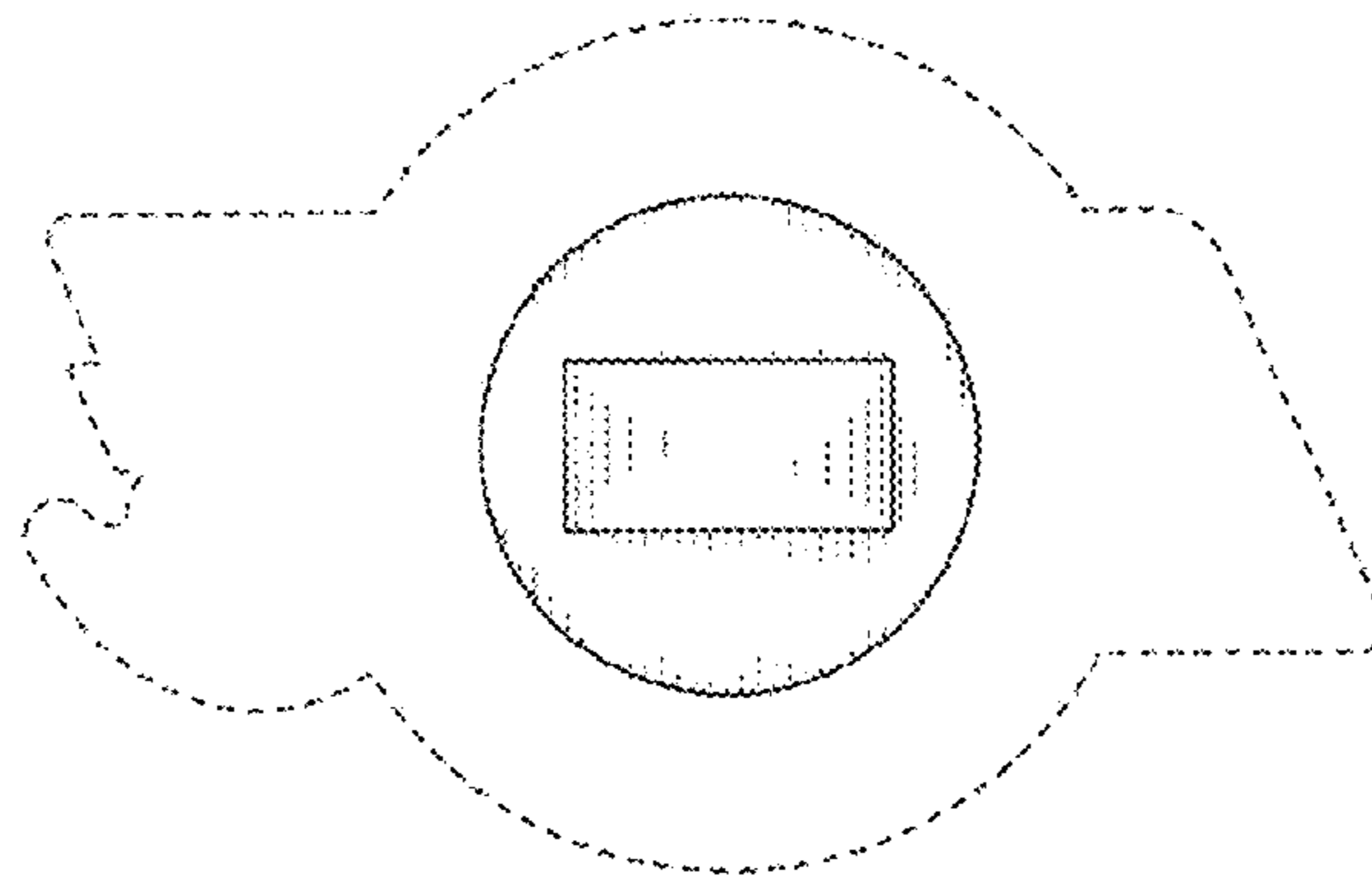


FIG. 3

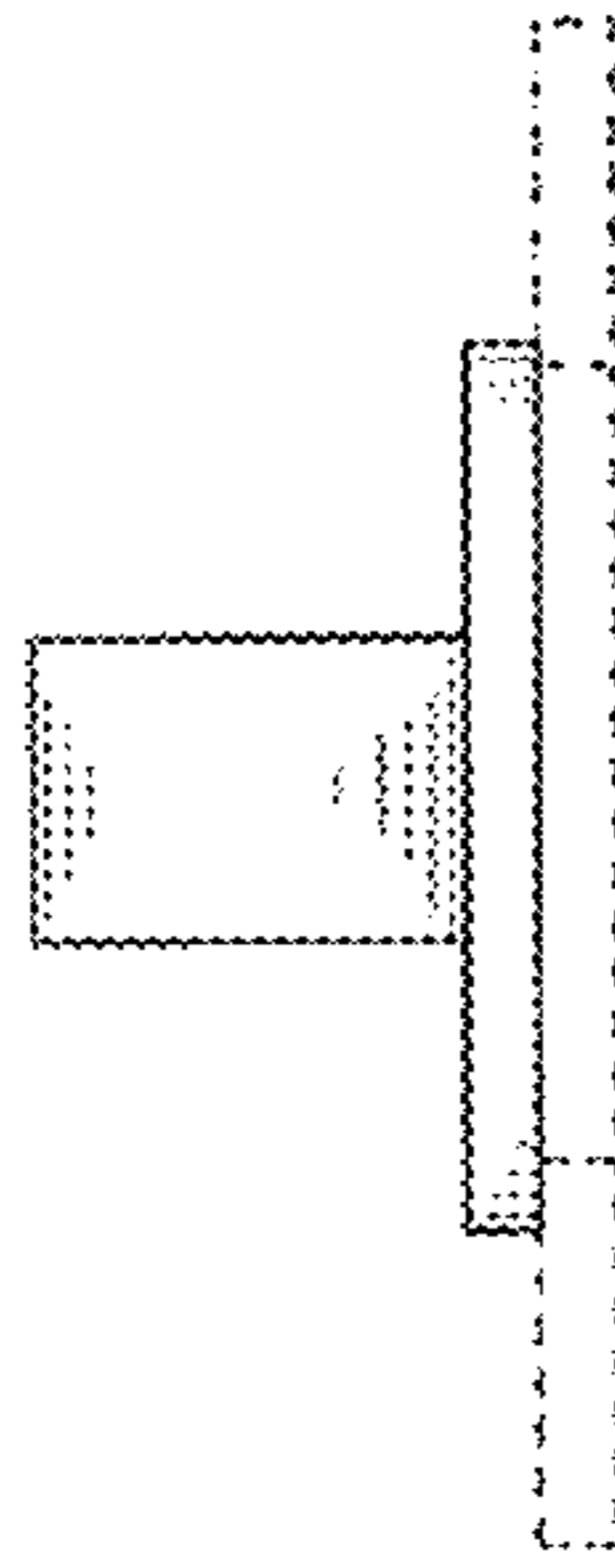


FIG. 4

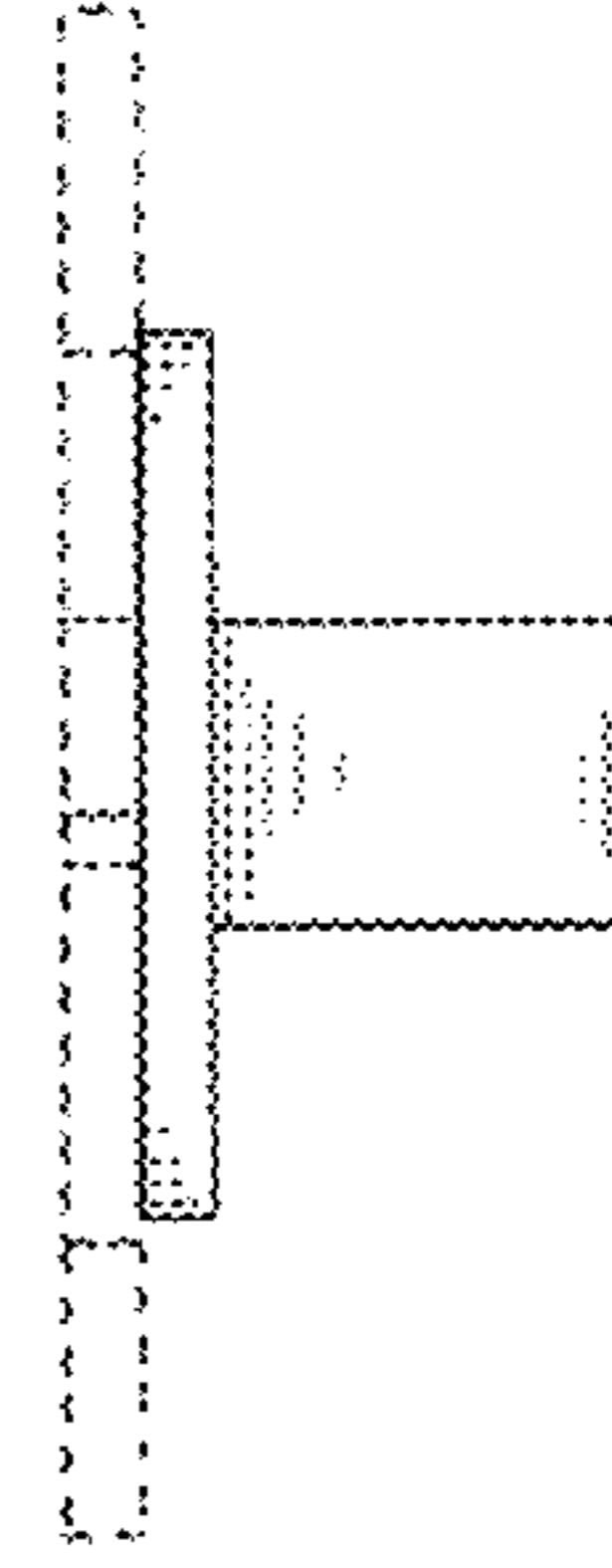


FIG. 5

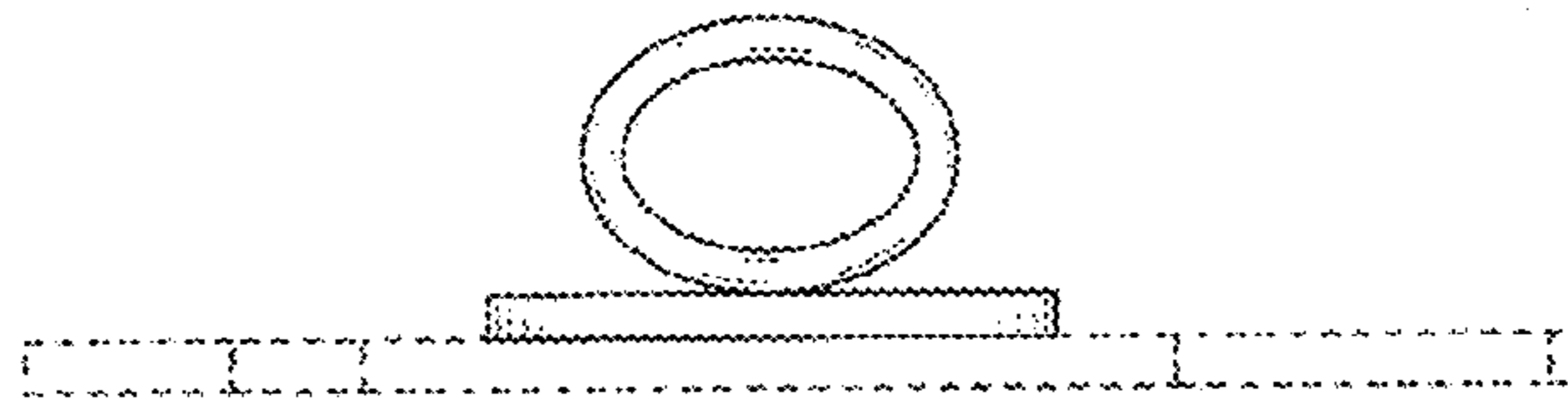


FIG. 6

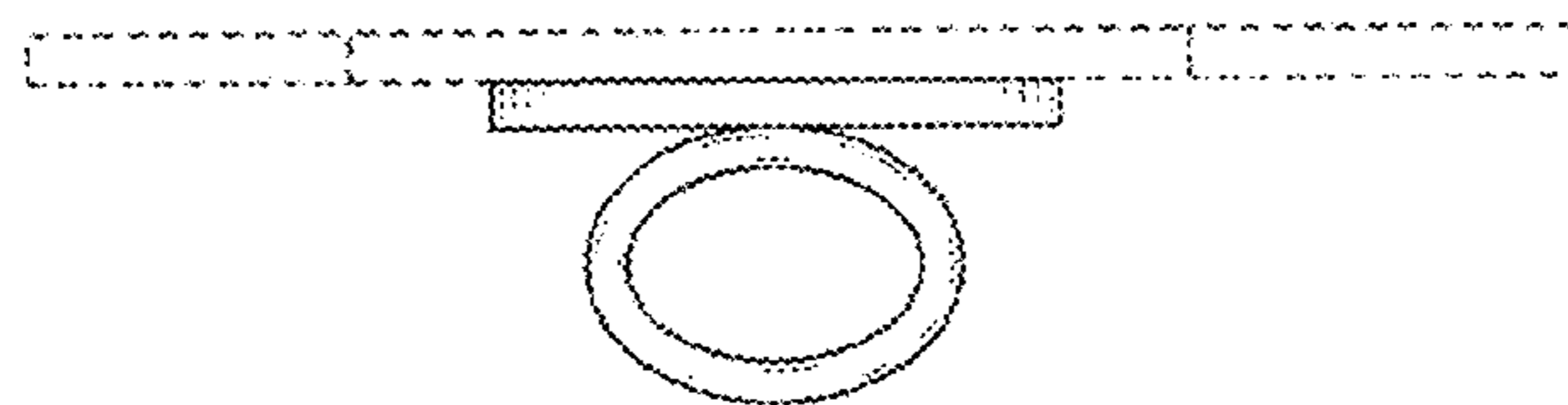


FIG. 7

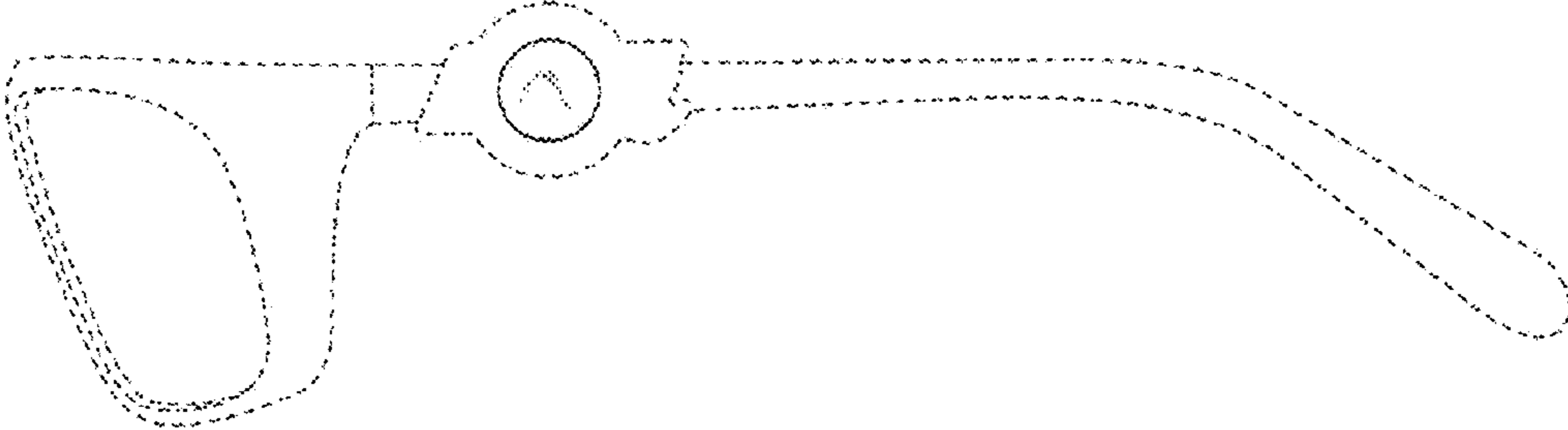


FIG. 8

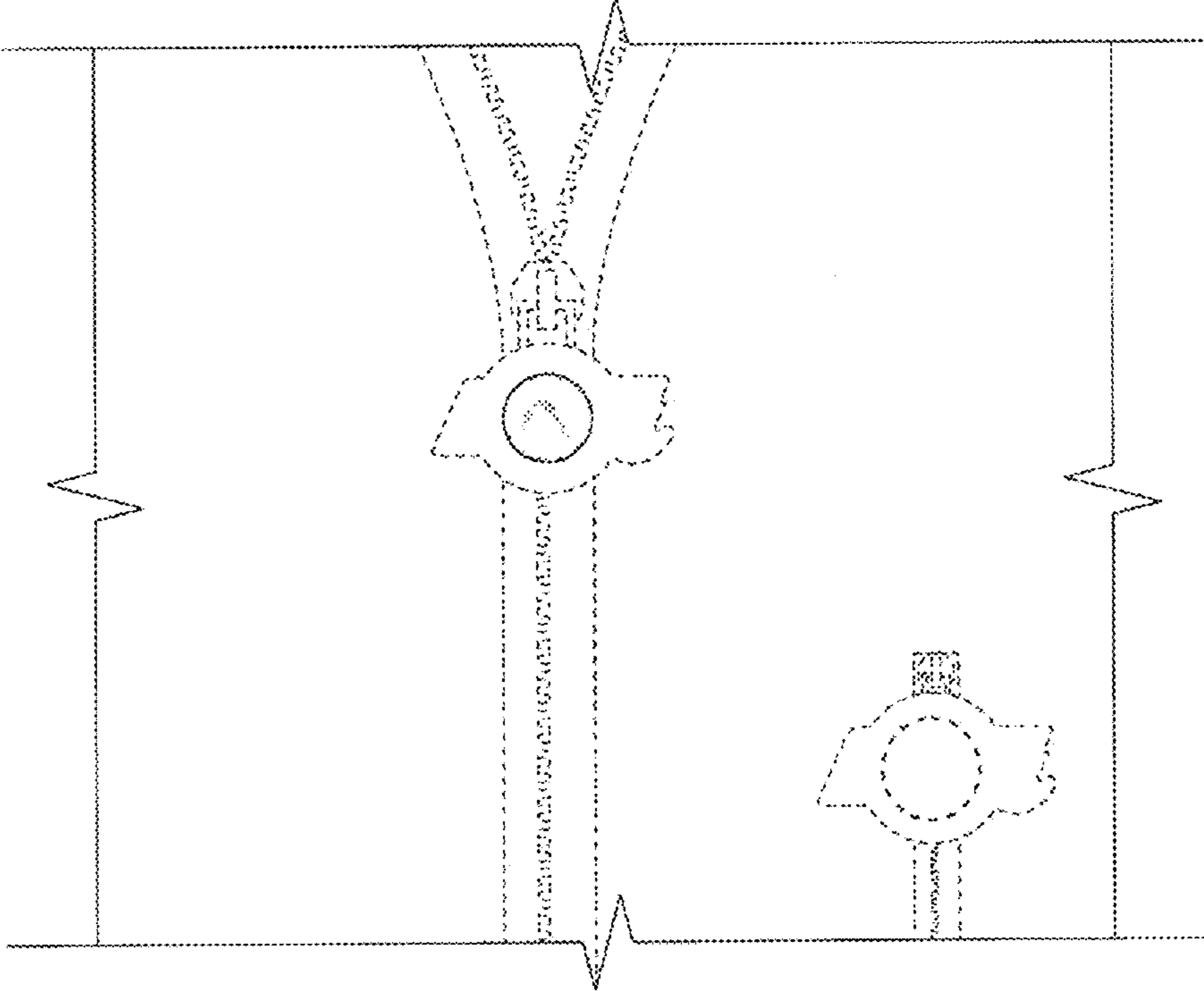


FIG. 9