



US00D707148S

(12) **United States Design Patent**  
**Proud et al.**

(10) **Patent No.:** **US D707,148 S**  
(45) **Date of Patent:** **\*\* Jun. 17, 2014**

(54) **WRISTBAND**

(71) Applicants: **James Proud**, San Francisco, CA (US);  
**Robert Shook**, San Francisco, CA (US)

(72) Inventors: **James Proud**, San Francisco, CA (US);  
**Robert Shook**, San Francisco, CA (US)

(73) Assignee: **Hello Inc.**, San Francisco, CA (US)

(\*\*) Term: **14 Years**

(21) Appl. No.: **29/453,006**

(22) Filed: **Apr. 24, 2013**

**Related U.S. Application Data**

(63) Continuation of application No. 61/812,083, filed on  
Apr. 15, 2013.

(51) **LOC (10) Cl.** ..... **11-01**

(52) **U.S. Cl.**  
USPC ..... **D11/5**

(58) **Field of Classification Search**  
USPC ..... D11/1-39; 63/15, 15.1-15.4, 15.45,  
63/15.5, 15.6, 15.65, 15.7; D24/206, 207  
See application file for complete search history.

(56) **References Cited**

**U.S. PATENT DOCUMENTS**

249,861	A	*	11/1881	Unger	.....	63/11
283,574	A	*	8/1883	Cottle	.....	63/11
D39,036	S	*	1/1908	Mitchell	.....	D11/5
D68,195	S	*	9/1925	De Soria	.....	D11/5
1,559,165	A	*	10/1925	Hammond	.....	63/3
D190,753	S	*	6/1961	Brauchi	.....	D11/5
D237,815	S	*	11/1975	Bulgari	.....	D11/5
D237,816	S	*	11/1975	Bulgari	.....	D11/27
D334,900	S	*	4/1993	Bulgari	.....	D11/5
D338,629	S	*	8/1993	Bulgari	.....	D11/34
D339,082	S	*	9/1993	Bulgari	.....	D11/4
D445,713	S	*	7/2001	Haquet	.....	D11/3

D535,209	S	*	1/2007	Arlanda	.....	D11/27
D606,886	S	*	12/2009	Bulgari	.....	D10/32
D628,092	S	*	11/2010	Bulgari	.....	D10/32
D653,149	S	*	1/2012	Behar et al.	.....	D11/5
D678,801	S	*	3/2013	Takahashi	.....	D11/37
D684,082	S	*	6/2013	Alvarez et al.	.....	D11/3

**OTHER PUBLICATIONS**

[Online] <http://www.shopbop.com/engraved-turnlock-leather-bangle-bracelet/vp/v=1/1567377622>.

htm?folderID=2534374302060428&fm=other-shopbysize-viewall&colorId=54477. Accessed Jul. 26, 2013.\*

[Online] <http://www.shopbop.com/ruler-bracelet-monserat-lucca/vp/v=1/845524441925986.htm?folderID=2534374302060428&fm=other-shopbysize-viewall&colorId=11739>. Accessed Jul. 26, 2013.\*

[Online] <http://www.shopbop.com/sol-forearm-band-citrine-by/vp/v=1/1508718210.htm?folderID=2534374302060428&fm=other-shopbysize-viewall&colorId=11452>. Accessed Jul. 26, 2013.\*

[Online] <http://www.shopbop.com/mia-wrap-cuff-gorjana/vp/v=1/1582688346.htm?folderID=2534374302060428&fm=other-shopbysize-viewall&colorId=29109>. Accessed Jul. 26, 2013.\*

\* cited by examiner

*Primary Examiner* — Cathron Brooks

*Assistant Examiner* — Melanie Pellegrini

(74) *Attorney, Agent, or Firm* — Paul Davis; Mintz Levin

(57) **CLAIM**

The ornamental design for a wristband, as shown and described.

**DESCRIPTION**

FIG. 1 is a right side plan view of a wristband.

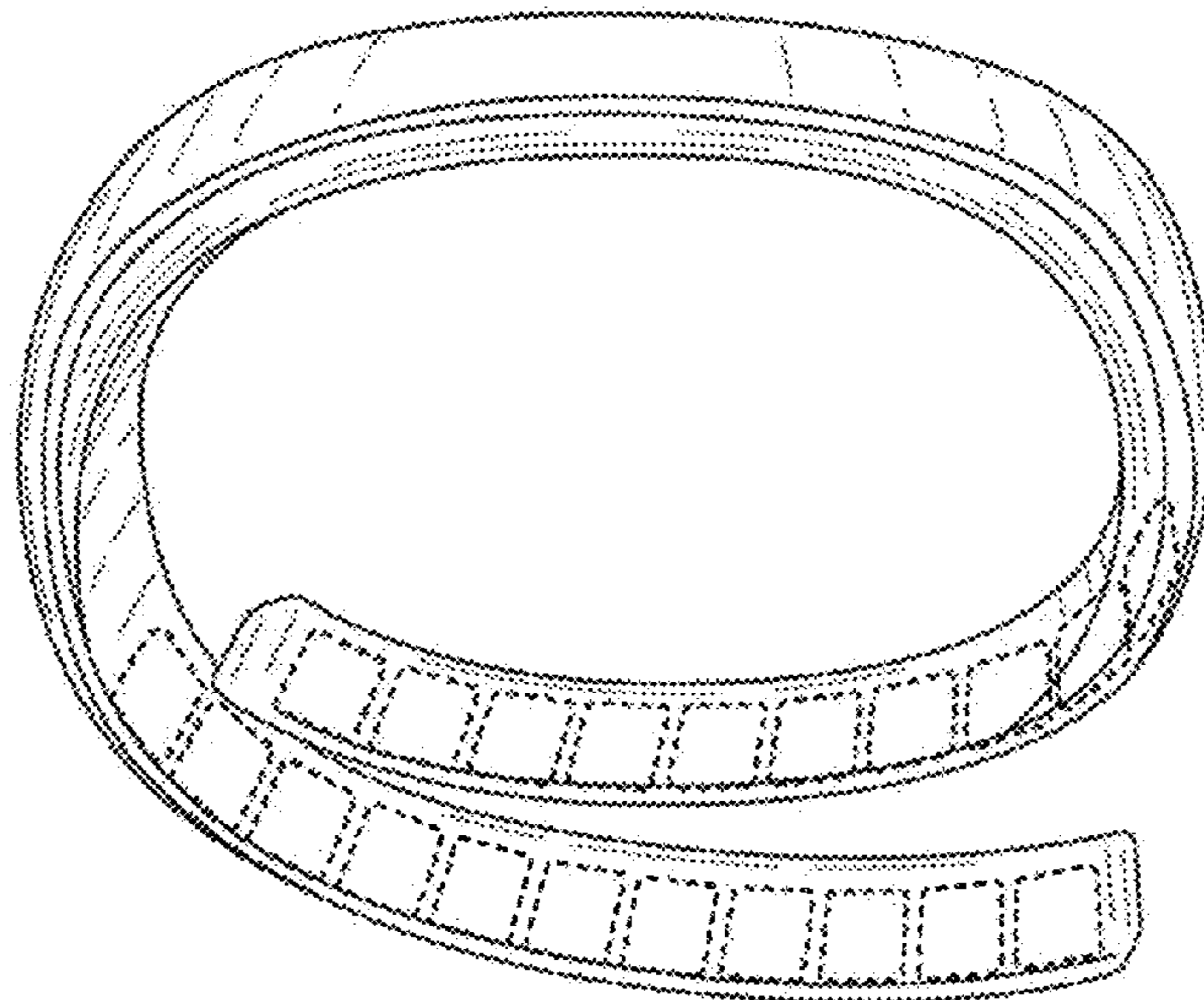
FIG. 2 is a left side plan view of the wristband.

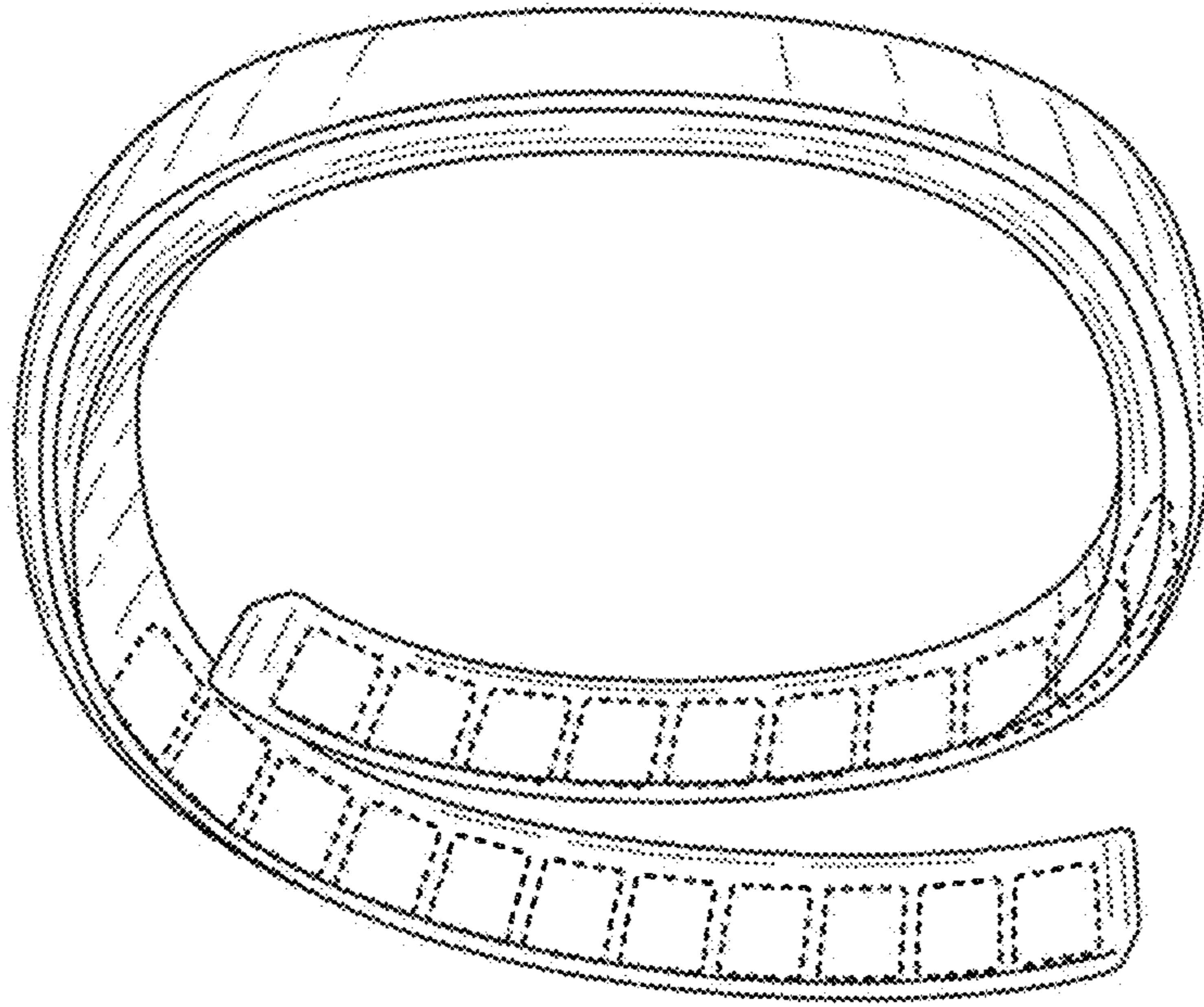
FIG. 3 is a top plan view of the wristband; and,

FIG. 4 is a bottom plan view of the wristband.

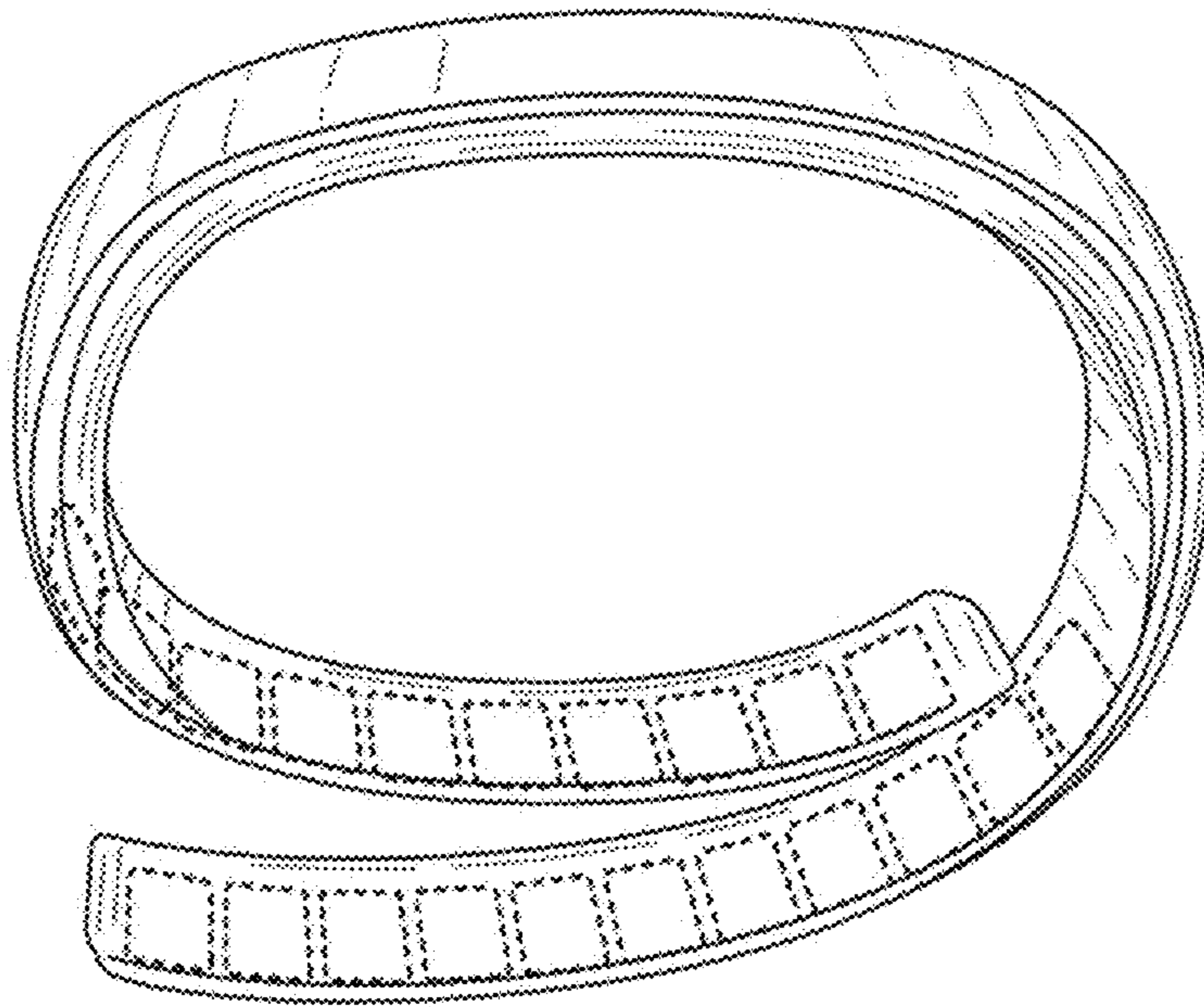
The broken lines shown in the drawings illustrate portions of the wristband that form no part of the claimed design.

**1 Claim, 2 Drawing Sheets**

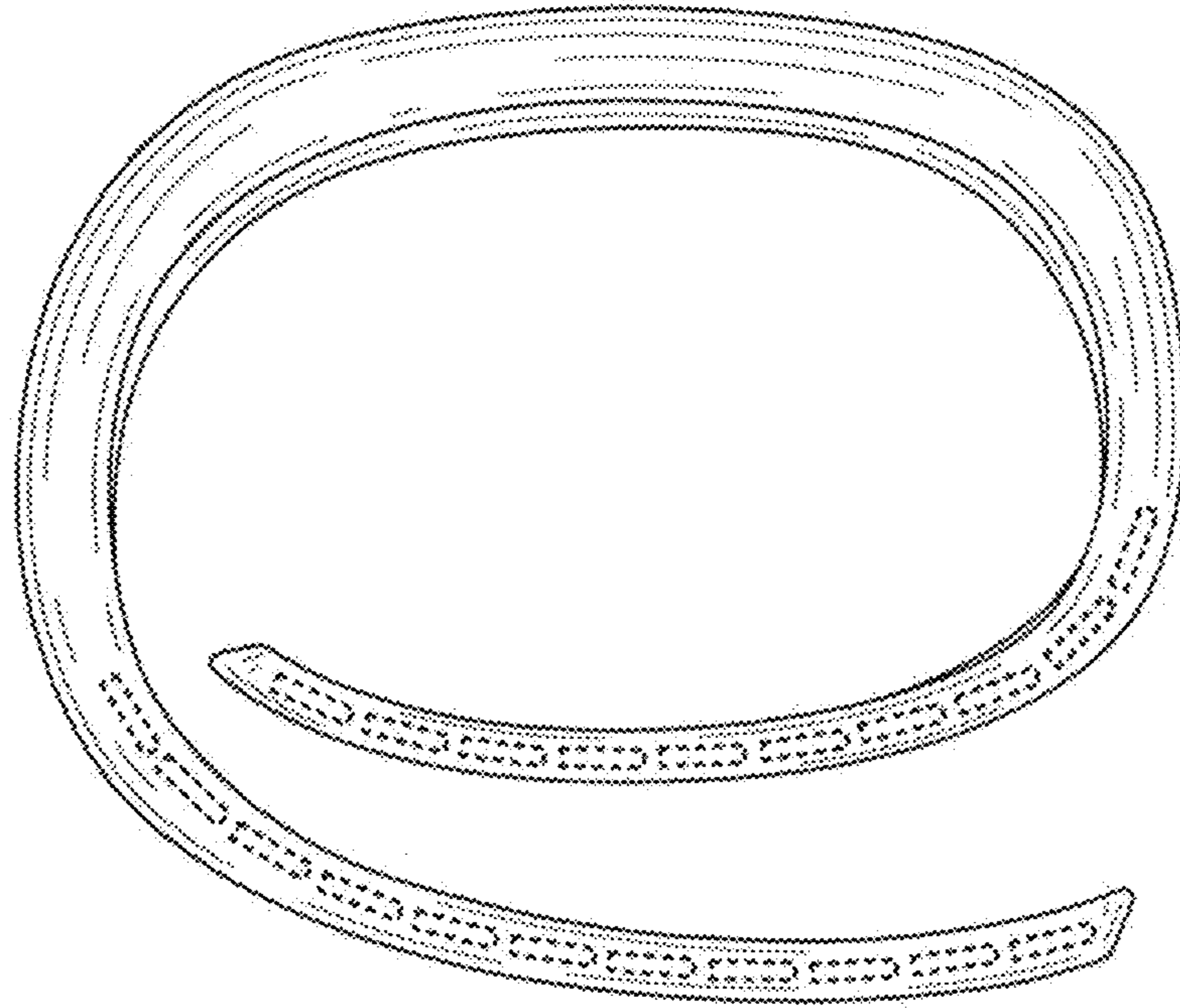




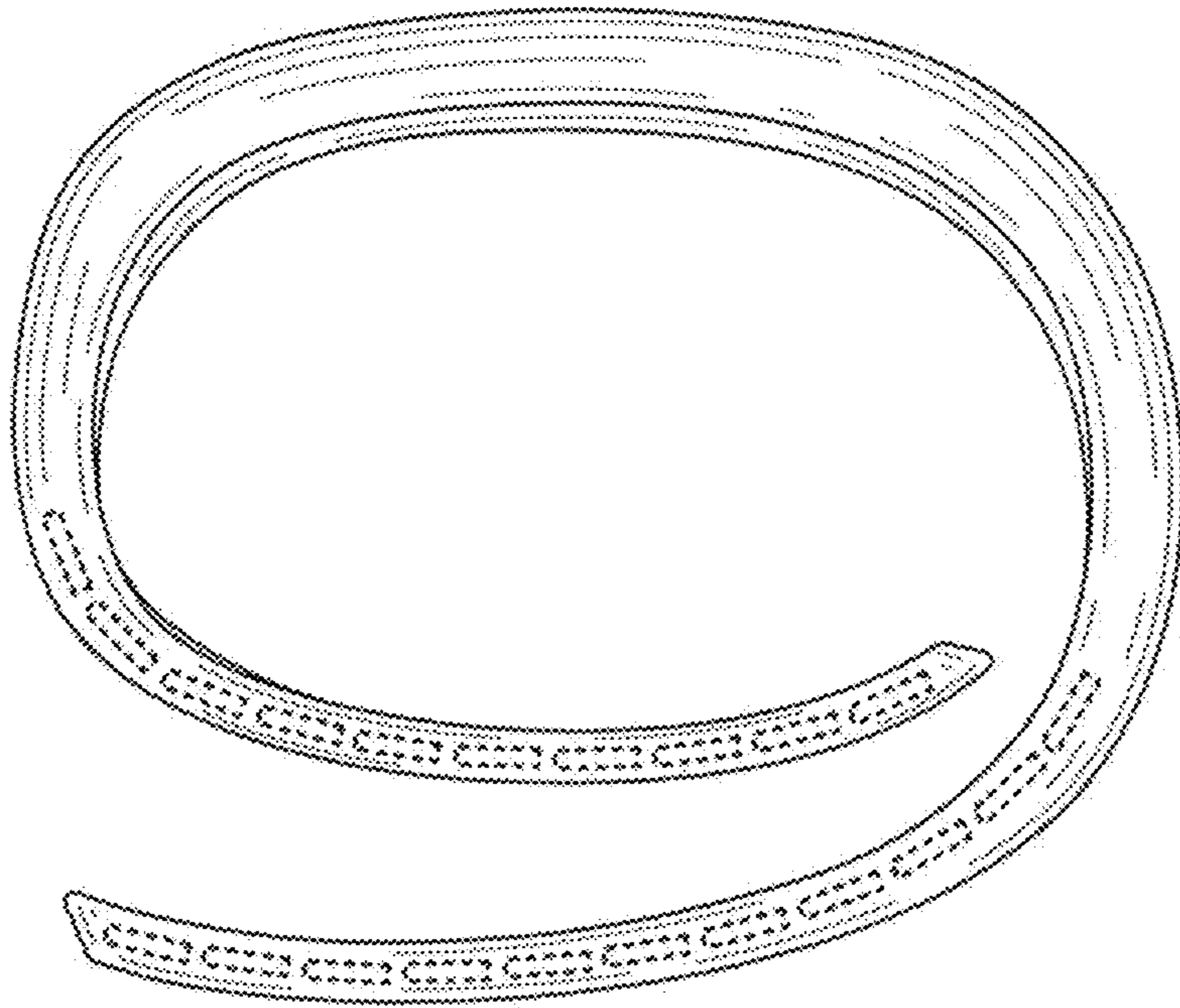
**FIG. 1**



**FIG. 2**



**FIG. 3**



**FIG. 4**