



US00D707146S

(12) **United States Design Patent**
Bennett et al.

(10) **Patent No.:** **US D707,146 S**
(45) **Date of Patent:** **** Jun. 17, 2014**

(54) **LED FLARE**

(71) Applicant: **Aerovoe Industries, Inc.**, Gardnerville,
NV (US)

(72) Inventors: **Michael Joseph Bennett**, Zephyr Cove,
NV (US); **Troy Wilson**, Minden, NV
(US); **Chuanzhong He**, Shenzen (CN)

(73) Assignee: **Aerovoe Industries, Inc.**, Gardnerville,
NV (US)

(**) Term: **14 Years**

(21) Appl. No.: **29/466,050**

(22) Filed: **Sep. 4, 2013**

(51) **LOC (10) Cl.** **10-05**

(52) **U.S. Cl.**
USPC **D10/114.2**

(58) **Field of Classification Search**
USPC D10/106.8, 114.2; D26/24
See application file for complete search history.

(56) **References Cited**

U.S. PATENT DOCUMENTS

4,282,562	A	8/1981	Marino	
4,926,300	A	5/1990	Ralston	
5,081,568	A	1/1992	Dong	
6,486,797	B1	11/2002	Laidman	
D515,958	S	2/2006	Dueker	
7,088,222	B1	8/2006	Dueker	
7,261,456	B2	8/2007	Liu	
D561,566	S	2/2008	Deuker	
7,784,204	B2	8/2010	Staats et al.	
D631,582	S *	1/2011	Hwang D26/24

D654,387	S *	2/2012	Wilson et al. D10/114.2
8,147,087	B2	4/2012	Chen	
D678,100	S *	3/2013	Hwang D10/114.1
2002/0105432	A1	8/2002	Pederson et al.	
2002/0180616	A1	12/2002	Laidman	
2002/0191396	A1	12/2002	Reiff et al.	
2004/0130886	A1	7/2004	Lewis et al.	
2004/0145890	A1	7/2004	Liao	
2007/0121332	A1	5/2007	Liu	
2007/0176784	A1	8/2007	Fautin	
2008/0036584	A1	2/2008	Lang et al.	
2011/0096534	A1	4/2011	Lee	
2012/0287611	A1	11/2012	Wilson et al.	

* cited by examiner

Primary Examiner — George D Kirschbaum

(74) *Attorney, Agent, or Firm* — Watson Rounds; Marc D. Foodman

(57) **CLAIM**

The ornamental design for a LED flare, as shown and described.

DESCRIPTION

The present Application is related to commonly-owned, co-pending U.S. Utility patent application Ser. No. 14/017,489, filed on the same date herewith, entitled "Stackable LED Flare and System."

FIG. 1 is a perspective top view of a first image of a LED flare showing the design;

FIG. 2 is a perspective bottom view of a second image thereof;

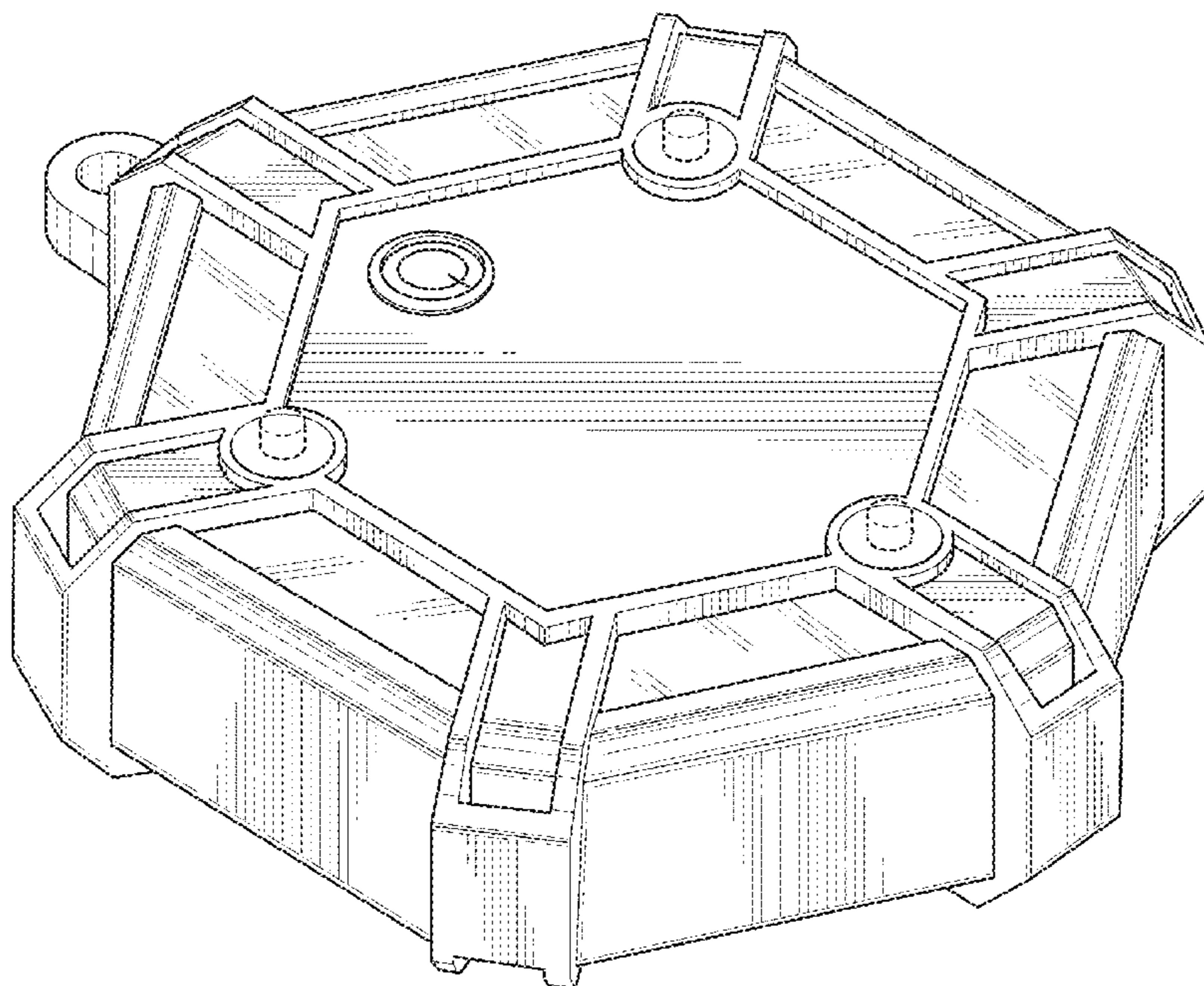
FIG. 3 is a top view of a third image thereof;

FIG. 4 is a bottom view of a fourth image thereof;

FIG. 5 is a side view of a fifth image thereof; and,

FIG. 6 is a side view of a sixth image thereof.

1 Claim, 4 Drawing Sheets



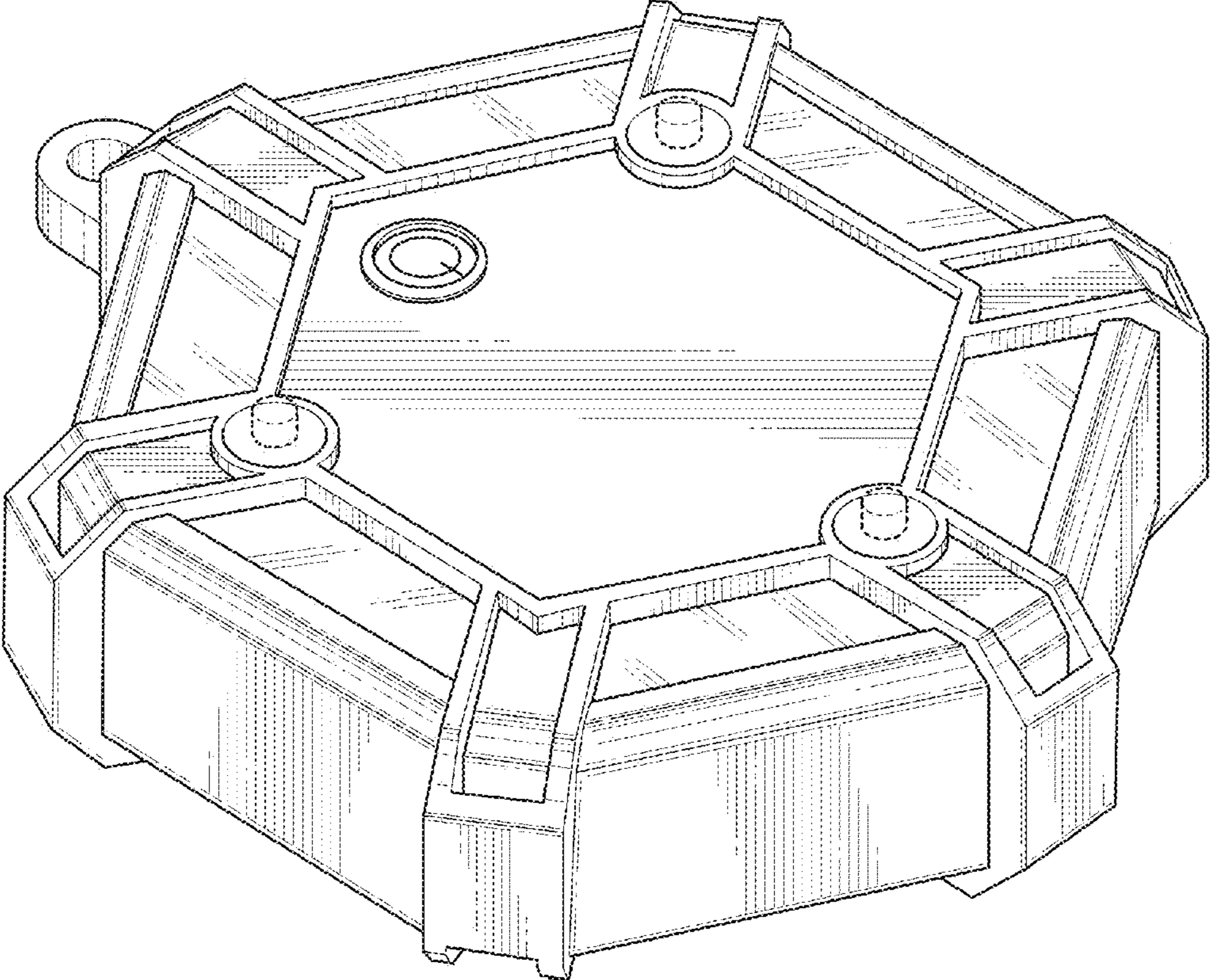


FIG. 1

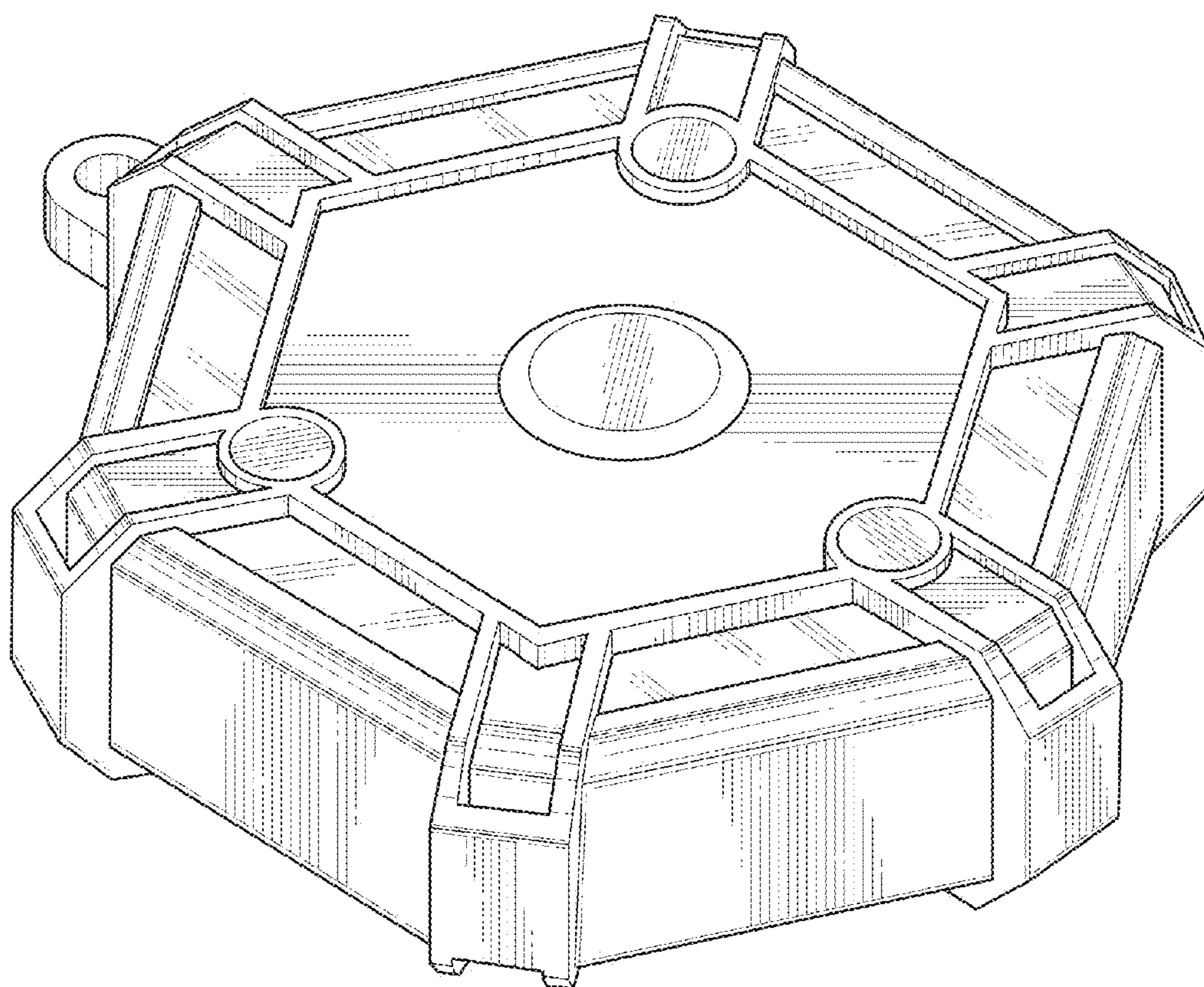


FIG. 2

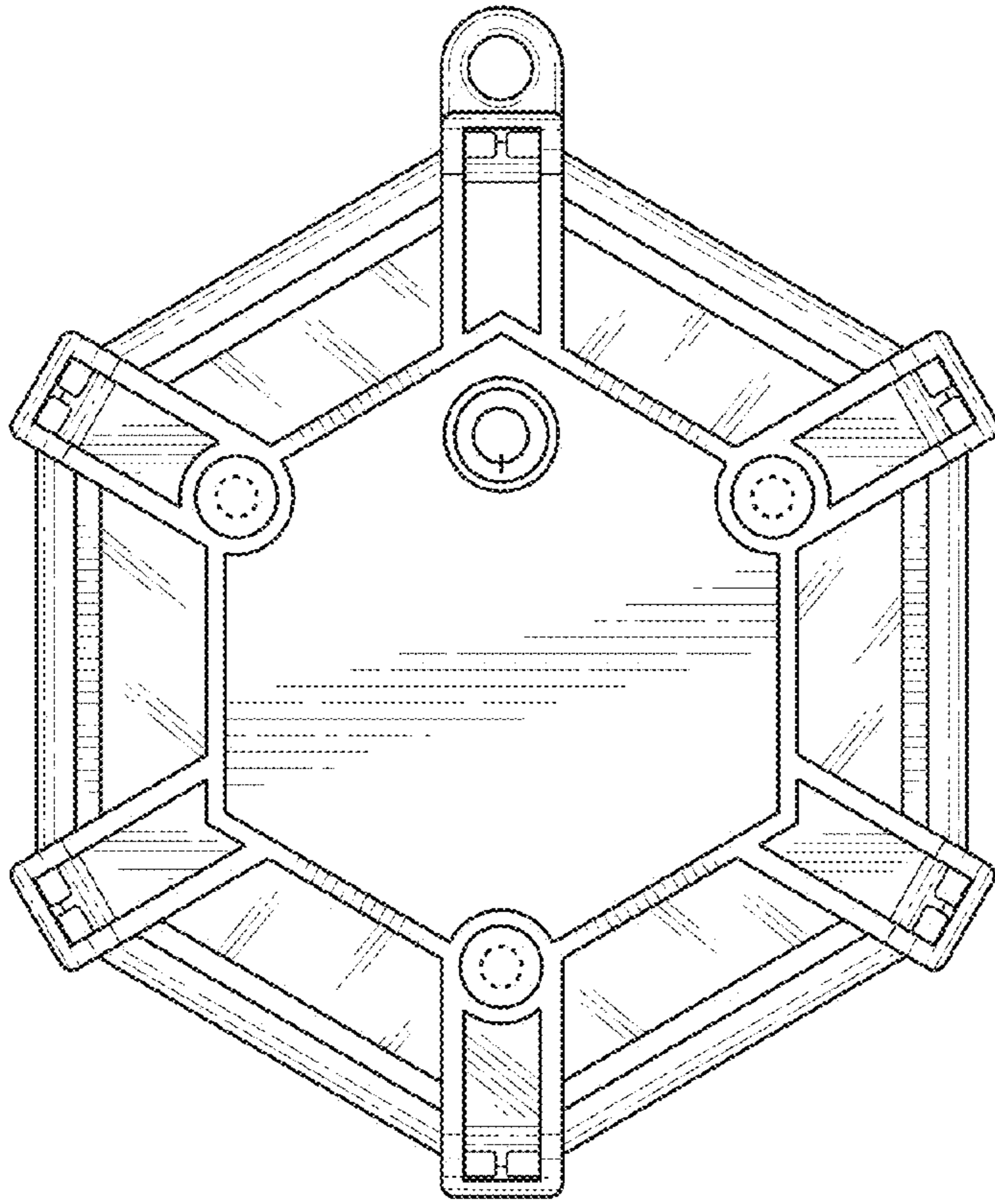


FIG. 3

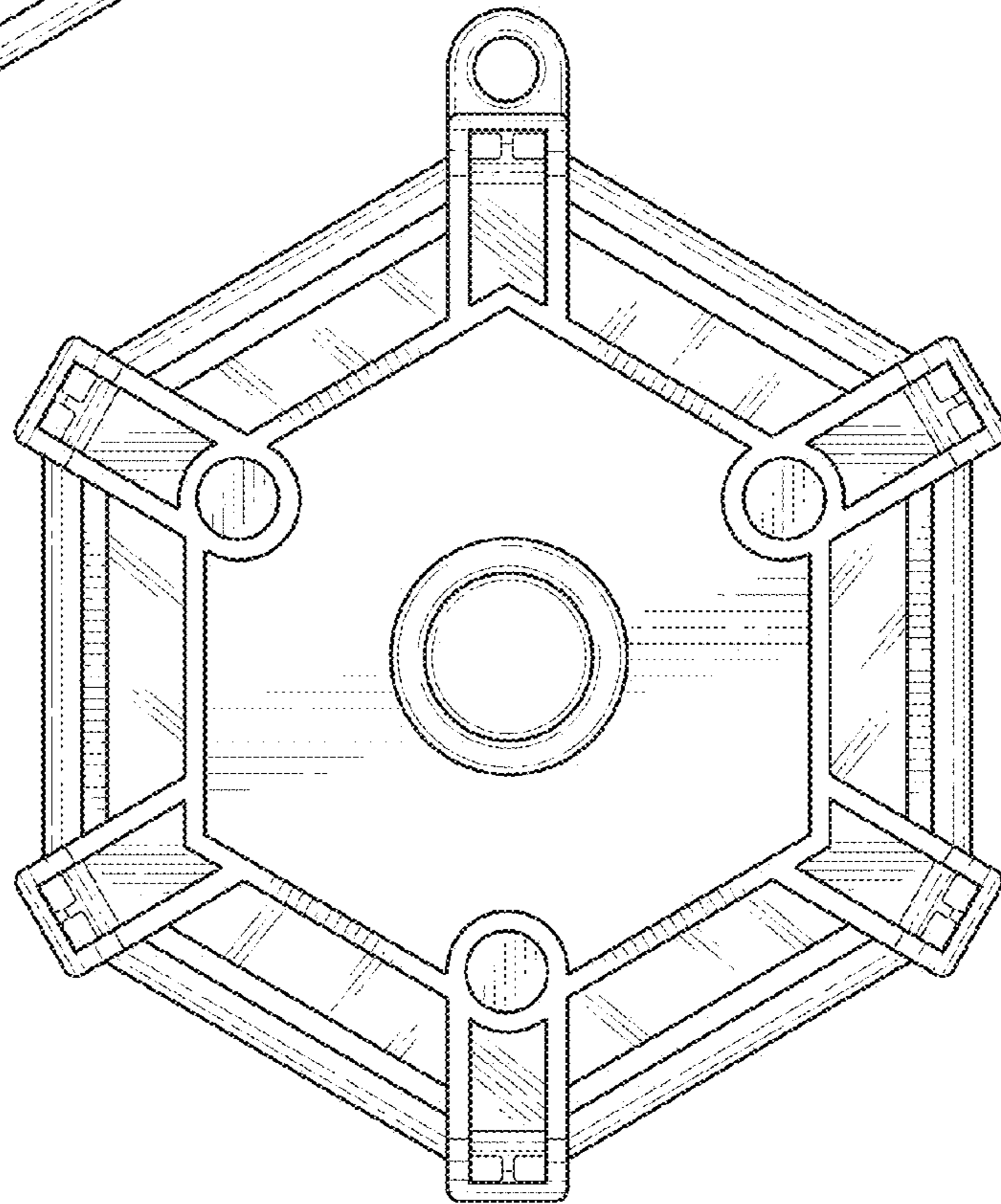


FIG. 4

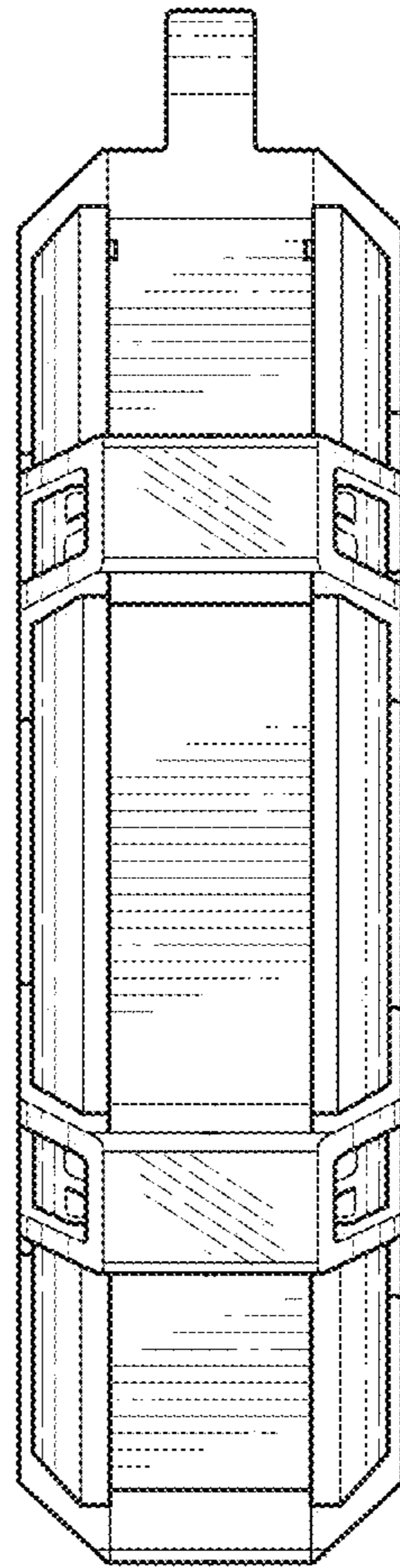


FIG. 5

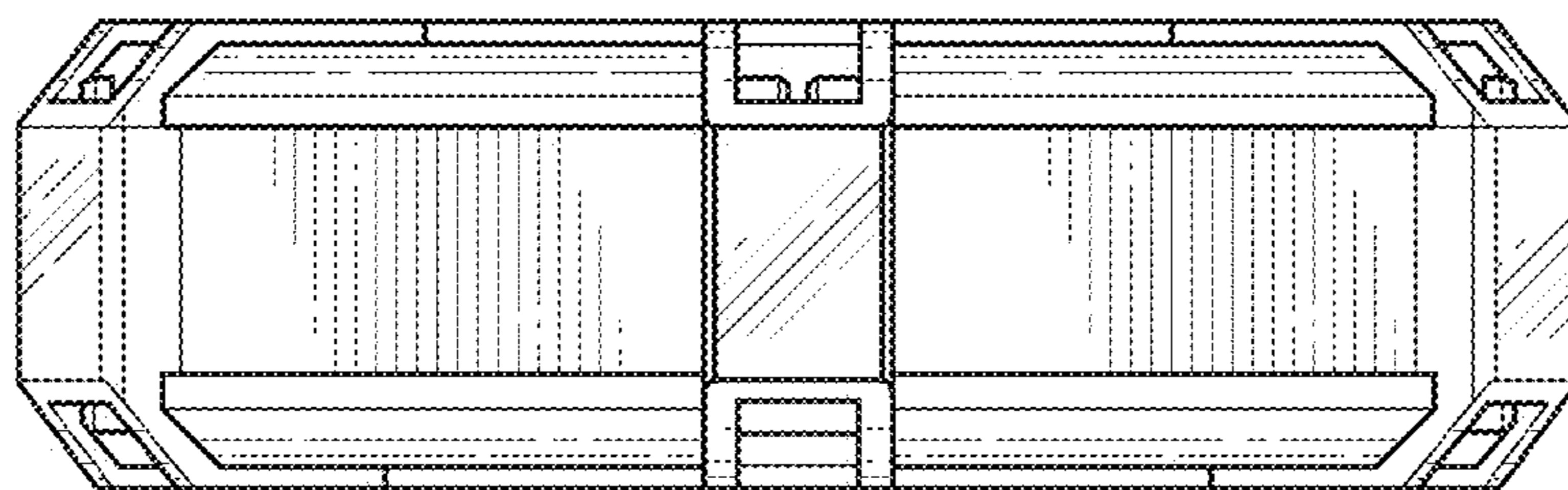


FIG. 6