



US00D707144S

(12) **United States Design Patent**  
**Jacobs et al.**

(10) **Patent No.:** **US D707,144 S**  
(45) **Date of Patent:** **\*\* Jun. 17, 2014**

(54) **MOTION SENSOR**

(71) Applicant: **Microsoft Corporation**, Redmond, WA (US)

(72) Inventors: **Joel B. Jacobs**, Seattle, WA (US); **Scott Dallmeyer**, Seattle, WA (US); **Brett D. Christie**, Seattle, WA (US); **Carl J. Ledbetter**, Mercer Island, WA (US); **Audrey C. Louchart**, Seattle, WA (US); **Saro Nalbandian**, Redmond, WA (US); **Gregory G. Jones**, Redmond, WA (US)

(73) Assignee: **Microsoft Corporation**, Redmond, WA (US)

(\*\*) Term: **14 Years**

(21) Appl. No.: **29/447,126**

(22) Filed: **Feb. 28, 2013**

(51) **LOC (10) Cl.** ..... **10-04**

(52) **U.S. Cl.**  
USPC ..... **D10/70; D10/106.6**

(58) **Field of Classification Search**  
USPC ..... D10/65, 70, 75, 78, 97, 106.1–106.8;  
D14/138 R, 138 AA, 138 AB, 138 AC,  
D14/138 AD, 341–347, 507–510, 136, 167,  
D14/168, 496, 498, 499, 500, 125–134, 239,  
D14/371, 374–377, 440, 450, 448, 336,  
D14/342; 343/702; 345/87, 104, 133, 156,  
345/168, 173, 901–905, 165; 348/180, 184,  
348/315, 739, 836, 838, 325; 364/444, 499;  
701/408–418, 431, 432, 537; 312/7.2;  
341/12; 720/605, 669, 600, 655;  
369/99, 197; 455/344, 347, 575.1;  
250/221, 338.3, 340, 239, 342, 341,  
250/DIG. 1, 353; 307/116, 117; 340/521,  
340/527, 541, 567, 540, 568.2, 539.23, 635,  
340/687; 315/159; 324/72.5, 556, 133, 149,  
324/503, 543, 555, 66, 72, 754, 115, 141,  
324/522; 73/615, 624, 627, 644, 514.33,

73/514.34, 510, 513, 527, 530;  
356/3.01–5.15; 235/105; 377/5, 24.2,  
377/26; 702/155, 160, 176, 78, 79, 82,  
702/91–95, 104, 116, 141, 150, 151, 154,  
702/127, 131, 182, 183, 189; 600/437, 443,  
600/453, 459, 465, 479, 500, 502, 595, 485,  
600/481, 483

See application file for complete search history.

(56) **References Cited**

U.S. PATENT DOCUMENTS

D430,500 S *	9/2000	Chen .....	D10/106.1
D449,244 S *	10/2001	Ginzel .....	D10/106.6
D541,233 S	4/2007	Hayes et al.	
D543,954 S	6/2007	Hayes et al.	
D543,955 S	6/2007	Hayes et al.	
D615,888 S	5/2010	Christopher et al.	

(Continued)

*Primary Examiner* — Antoine D Davis

(74) *Attorney, Agent, or Firm* — Banner & Witcoff, Ltd.

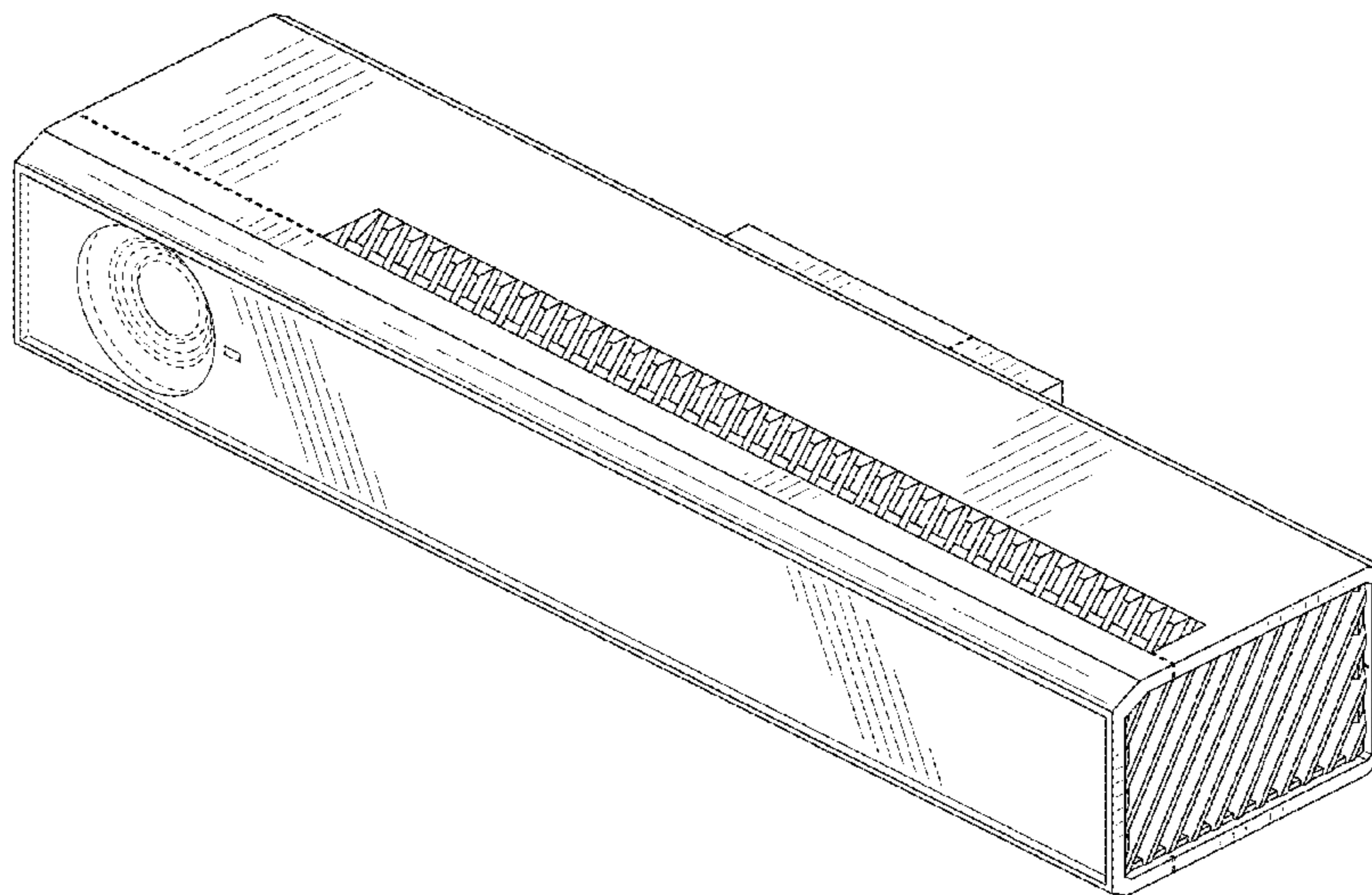
(57) **CLAIM**

The ornamental design for a motion sensor, as shown and described.

**DESCRIPTION**

FIG. 1 is a perspective view of a motion sensor showing our new design;  
FIG. 2 is a front view thereof;  
FIG. 3 is a rear view thereof;  
FIG. 4 is a right side view thereof;  
FIG. 5 is a left side view thereof;  
FIG. 6 is a top view thereof; and  
FIG. 7 is a bottom view thereof.  
The broken line showings of various elements of the motion sensor and the unshaded areas therein in FIGS. 1-7 are for environmental purposes only and form no part of the claimed design.

**1 Claim, 6 Drawing Sheets**



(56)

**References Cited**

U.S. PATENT DOCUMENTS

D619,484 S 7/2010 Christopher et al.  
D619,485 S 7/2010 Christopher et al.  
D625,632 S \* 10/2010 Takahara et al. .... D10/70  
D640,682 S 6/2011 Ledbetter et al.

D647,918 S 11/2011 Ledbetter et al.  
D657,788 S 4/2012 Ledbetter et al.  
D665,424 S 8/2012 Ledbetter et al.  
D669,801 S \* 10/2012 Vroonen ..... D10/70  
D695,787 S \* 12/2013 Otani et al. .... D14/496  
2013/0003144 A1 \* 1/2013 Finnegan et al. .... 358/483  
2013/0135158 A1 \* 5/2013 Faraone et al. .... 343/702

\* cited by examiner

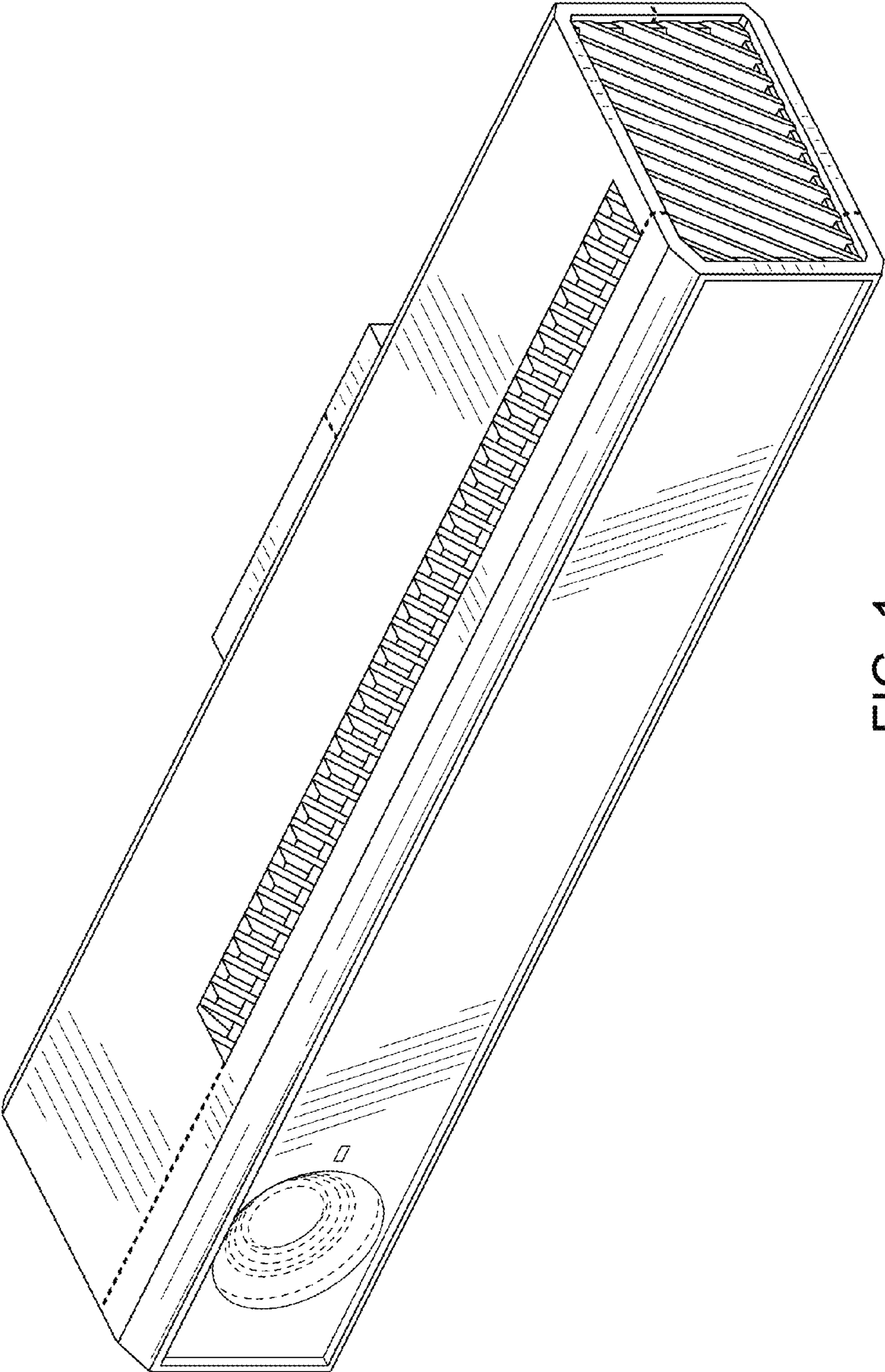


FIG. 1

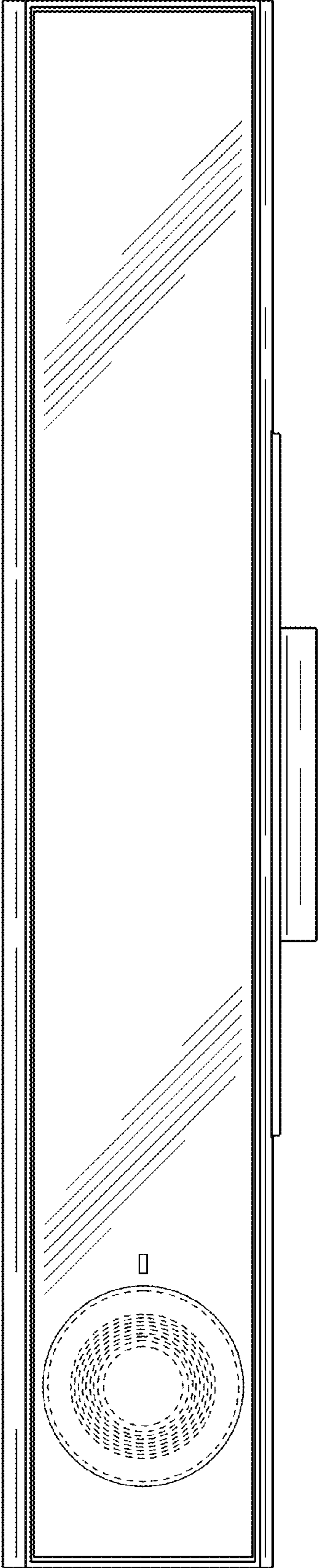


FIG. 2

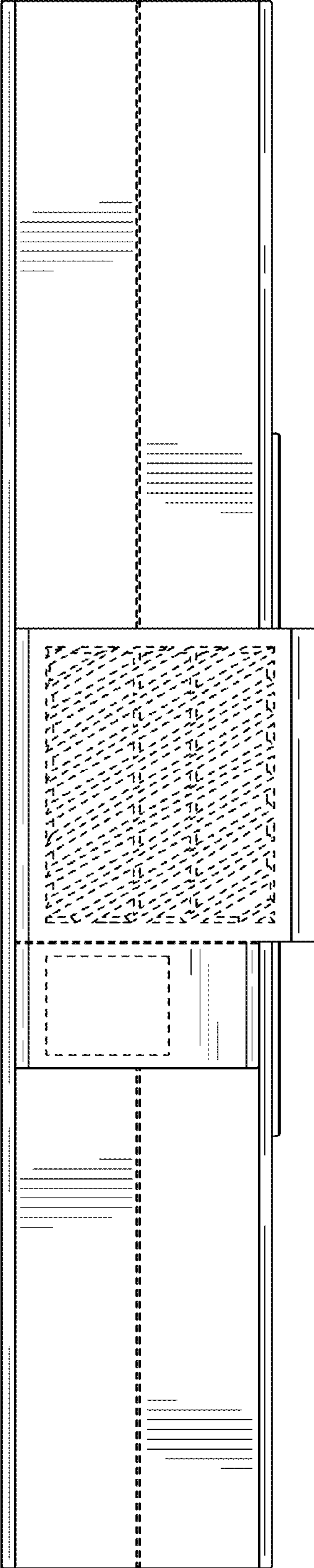


FIG. 3

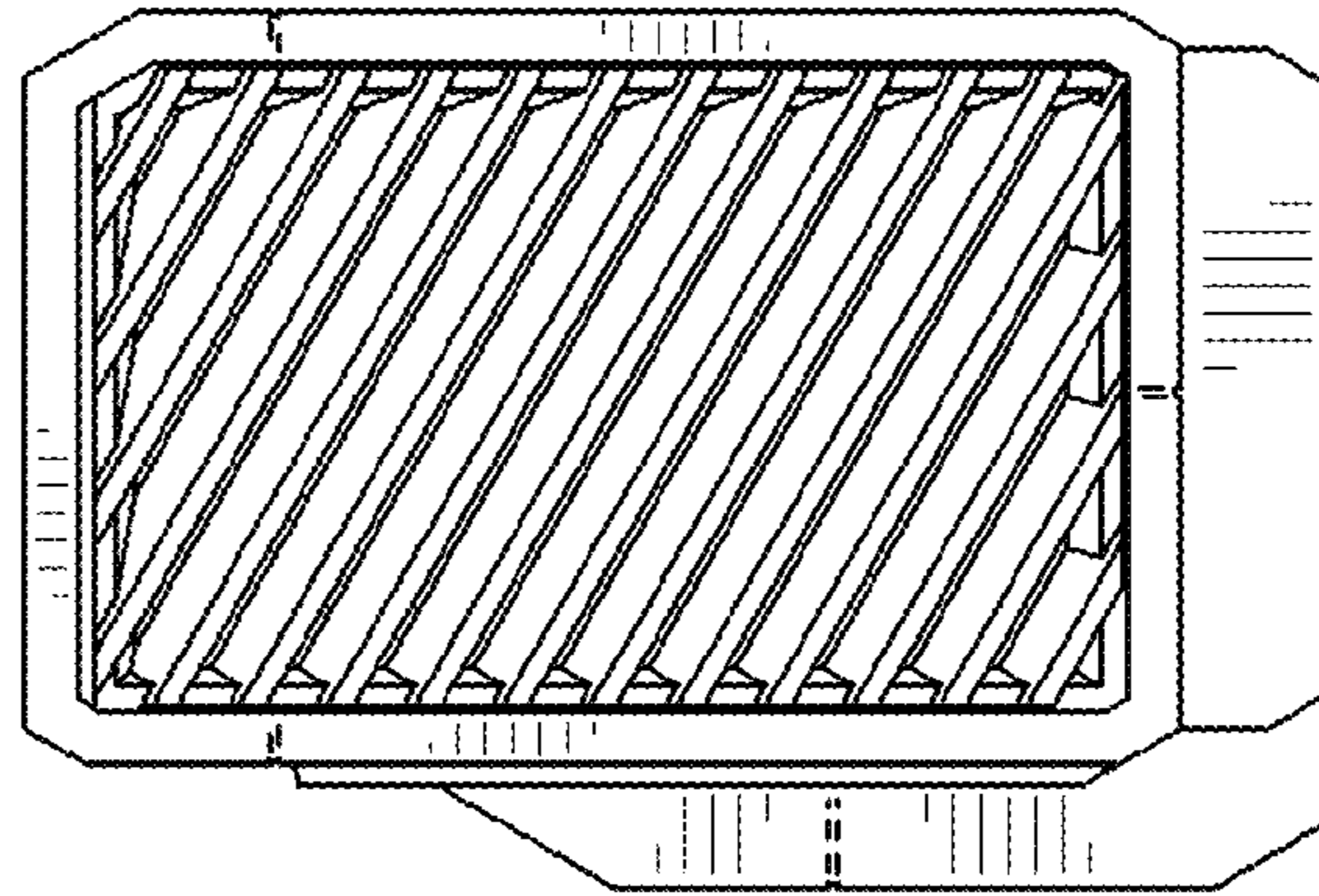


FIG. 4

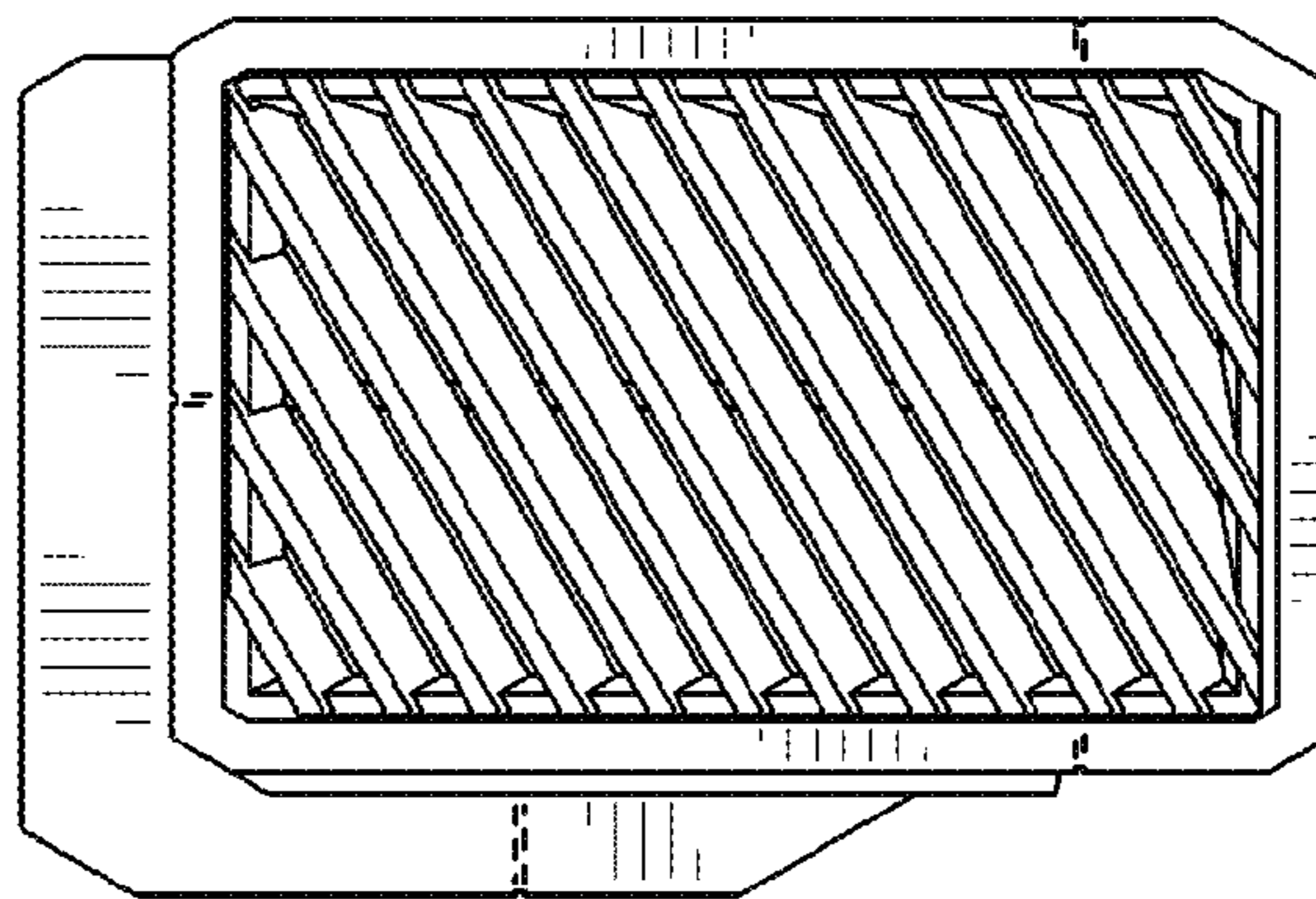


FIG. 5

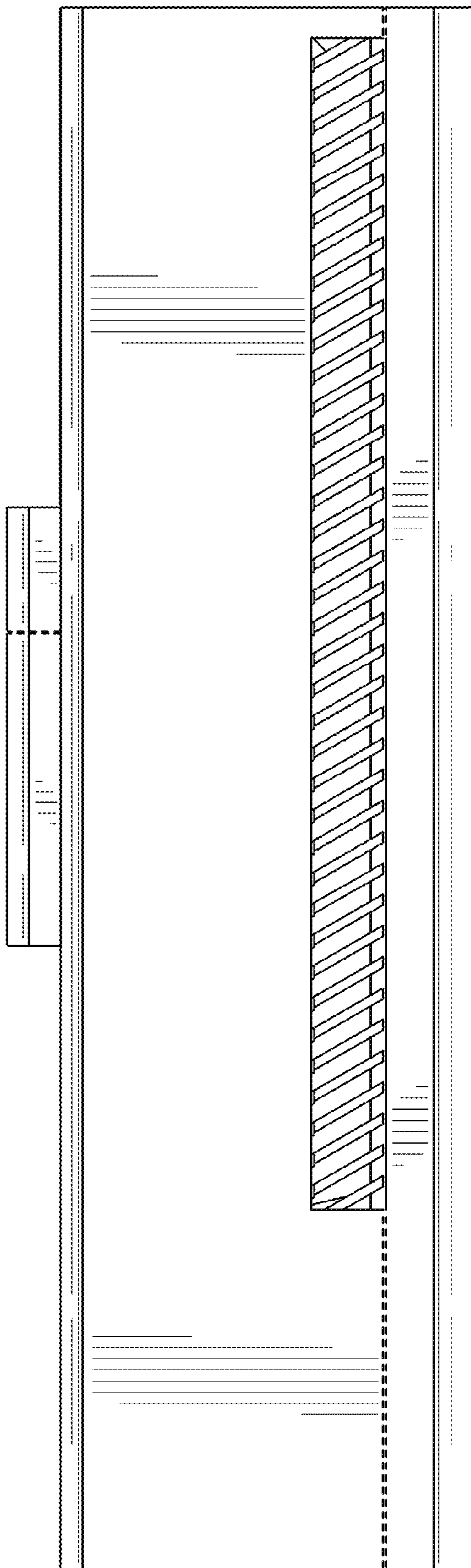


FIG. 6

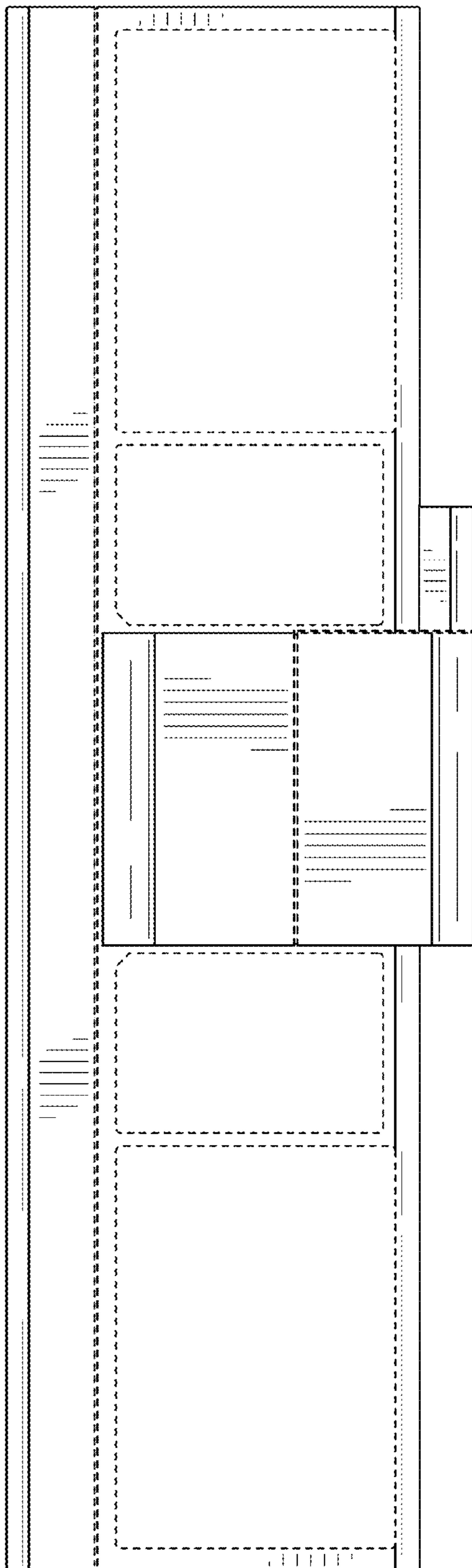


FIG. 7