



US00D707141S

(12) **United States Design Patent**
King et al.

(10) **Patent No.:** **US D707,141 S**
(45) **Date of Patent:** **** Jun. 17, 2014**

(54) **PARKING METER**

(71) Applicant: **IPS Group Inc.**, San Diego, CA (US)

(72) Inventors: **David William King**, San Diego, CA (US); **Alexander Schwarz**, San Diego, CA (US); **Stephen John Hunter**, San Diego, CA (US)

(73) Assignee: **IPS Group Inc.**, San Diego, CA (US)

(**) Term: **14 Years**

(21) Appl. No.: **29/437,129**

(22) Filed: **Nov. 13, 2012**

(51) **LOC (10) Cl.** **10-03**

(52) **U.S. Cl.**
USPC **D10/42**

(58) **Field of Classification Search**
USPC D10/40, 41, 42, 43, 44, 45; D20/6;
D99/28; 194/211, 217, 277, 302, 350,
194/351, 900, 902; 368/89, 90, 92;
398/202; 235/382, 384; 340/932.2;
705/418

See application file for complete search history.

(56) **References Cited**

U.S. PATENT DOCUMENTS

D107,577	S	*	12/1937	McGay et al.	D10/42
2,229,183	A	*	1/1941	Mitchell	194/277
D166,753	S	*	5/1952	Jones	D10/42
2,596,124	A	*	5/1952	Broussard	368/90
D181,359	S	*	11/1957	Jones	D10/42
3,486,324	A	*	12/1969	Andersson	368/90
4,031,991	A	*	6/1977	Malott	194/217
D319,077	S	*	8/1991	Arato et al.	D20/6
5,155,614	A	*	10/1992	Carmen et al.	398/202
5,563,491	A	*	10/1996	Tseng	320/109
5,617,942	A	*	4/1997	Ward et al.	194/217

D388,231	S	*	12/1997	Magee et al.	D99/28
RE37,193	E	*	5/2001	Ward et al.	194/217
6,312,152	B2	*	11/2001	Dee et al.	368/90
6,747,575	B2	*	6/2004	Chauvin et al.	340/932.2
6,874,340	B1	*	4/2005	Berman	70/161
6,889,899	B2	*	5/2005	Silberberg	235/384
D575,168	S	*	8/2008	King et al.	D10/42
D587,141	S	*	2/2009	King et al.	D10/42
7,854,310	B2	*	12/2010	King et al.	194/350
2008/0245638	A1	*	10/2008	King et al.	194/350
2009/0026842	A1	*	1/2009	Hunter et al.	307/66
2009/0095593	A1	*	4/2009	King et al.	194/302
2009/0159674	A1	*	6/2009	King et al.	235/382
2009/0192950	A1	*	7/2009	King et al.	705/418
2011/0057815	A1	*	3/2011	King et al.	340/932.2
2011/0060653	A1	*	3/2011	King et al.	705/14.58
2011/0203901	A1	*	8/2011	King et al.	194/211

* cited by examiner

Primary Examiner — Caron D Veynar

Assistant Examiner — Martie K Holtje

(74) *Attorney, Agent, or Firm* — Wilson Sonsini Goodrich & Rosati

(57) **CLAIM**

The ornamental design for a parking meter, as shown and described.

DESCRIPTION

FIG. 1 is a right front perspective view of a parking meter showing our new design;

FIG. 2 is a front elevational view thereof;

FIG. 3 is a rear elevational view thereof;

FIG. 4 is a left side elevational view thereof;

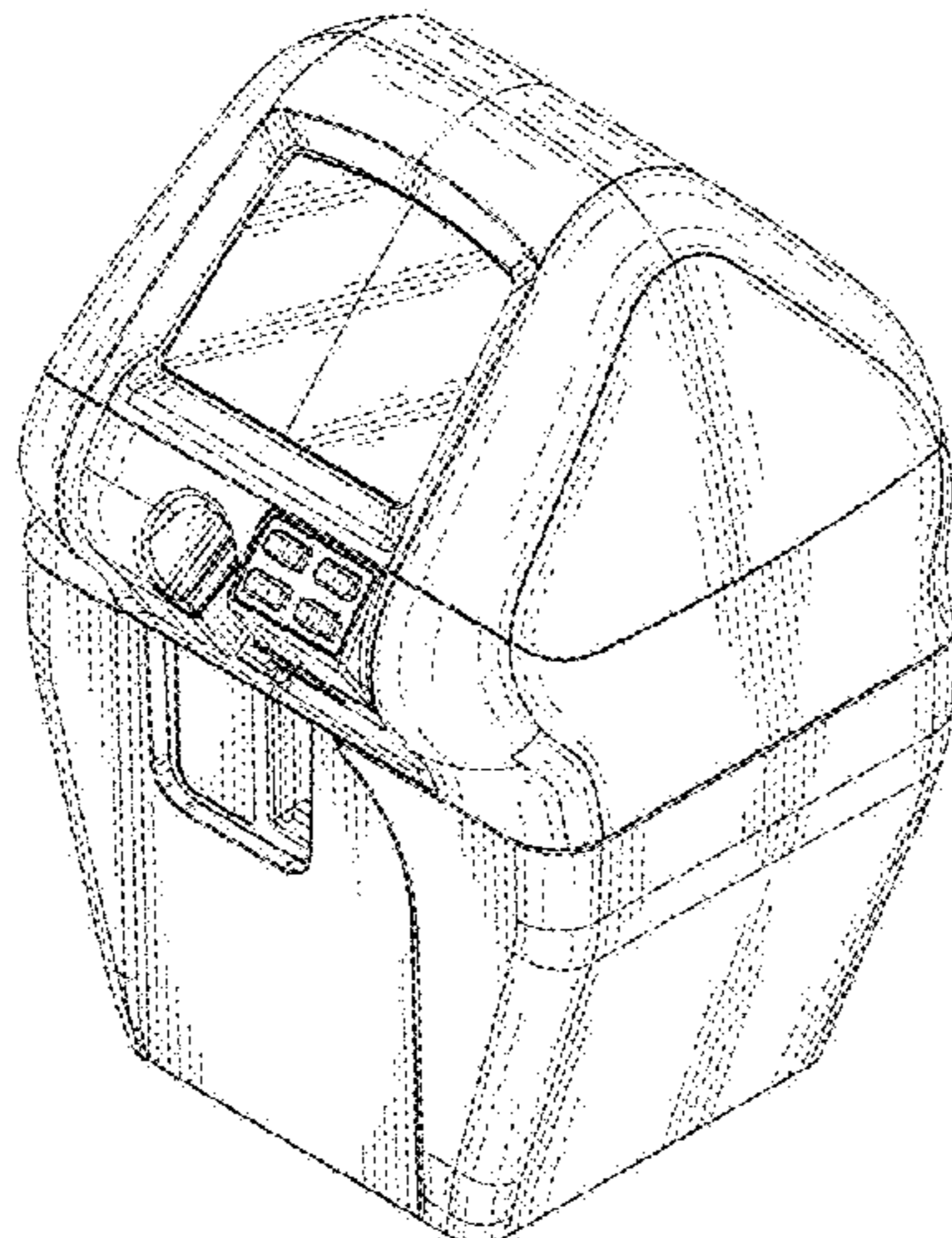
FIG. 5 is a right side elevational view thereof;

FIG. 6 is a top plan view thereof; and,

FIG. 7 is a bottom plan view thereof.

The broken lines in FIGS. 3 and 7 have been shown for the purpose of illustrating portions of the Parking Meter that form no part of the claimed design.

1 Claim, 6 Drawing Sheets



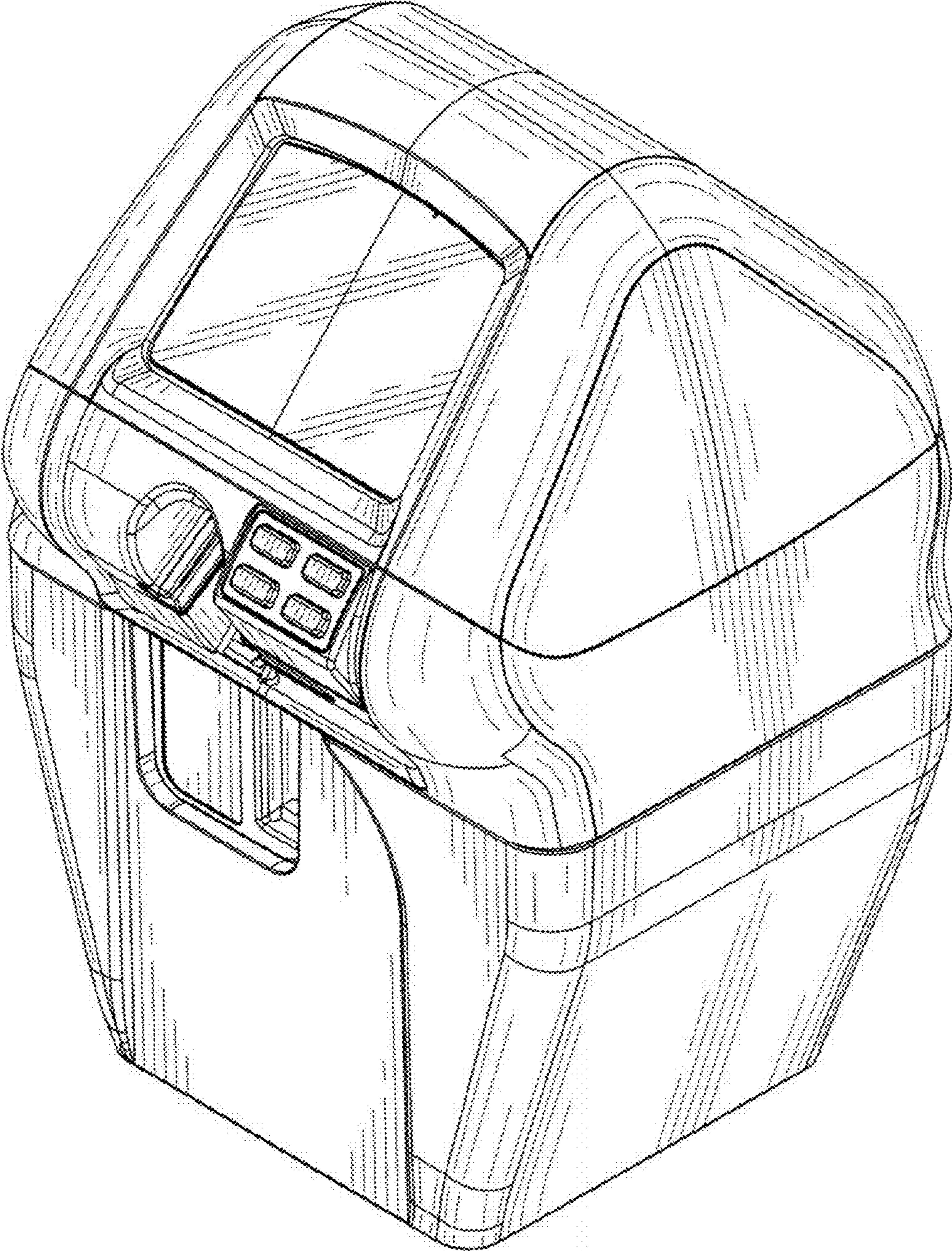


FIG. 1

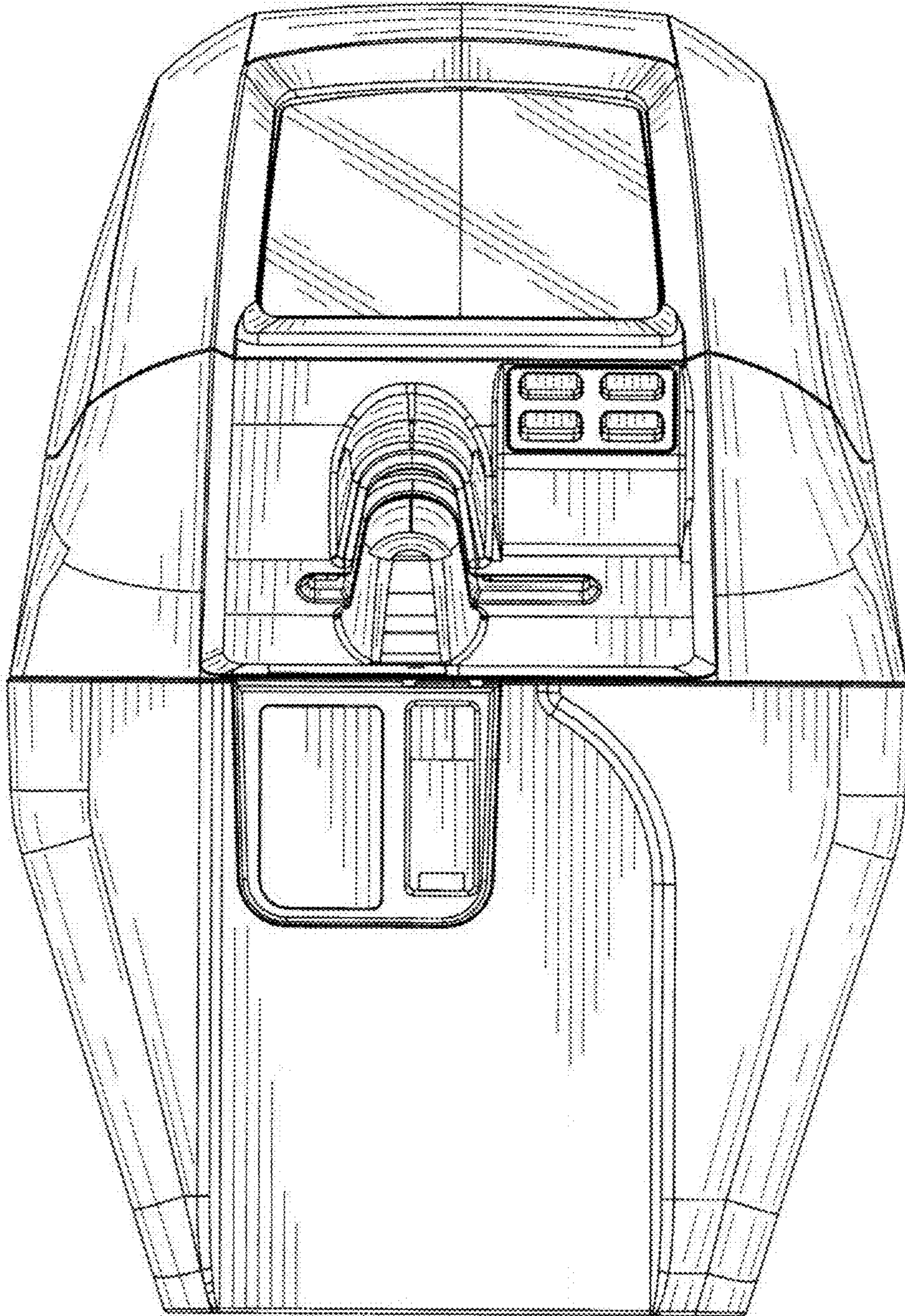


FIG. 2

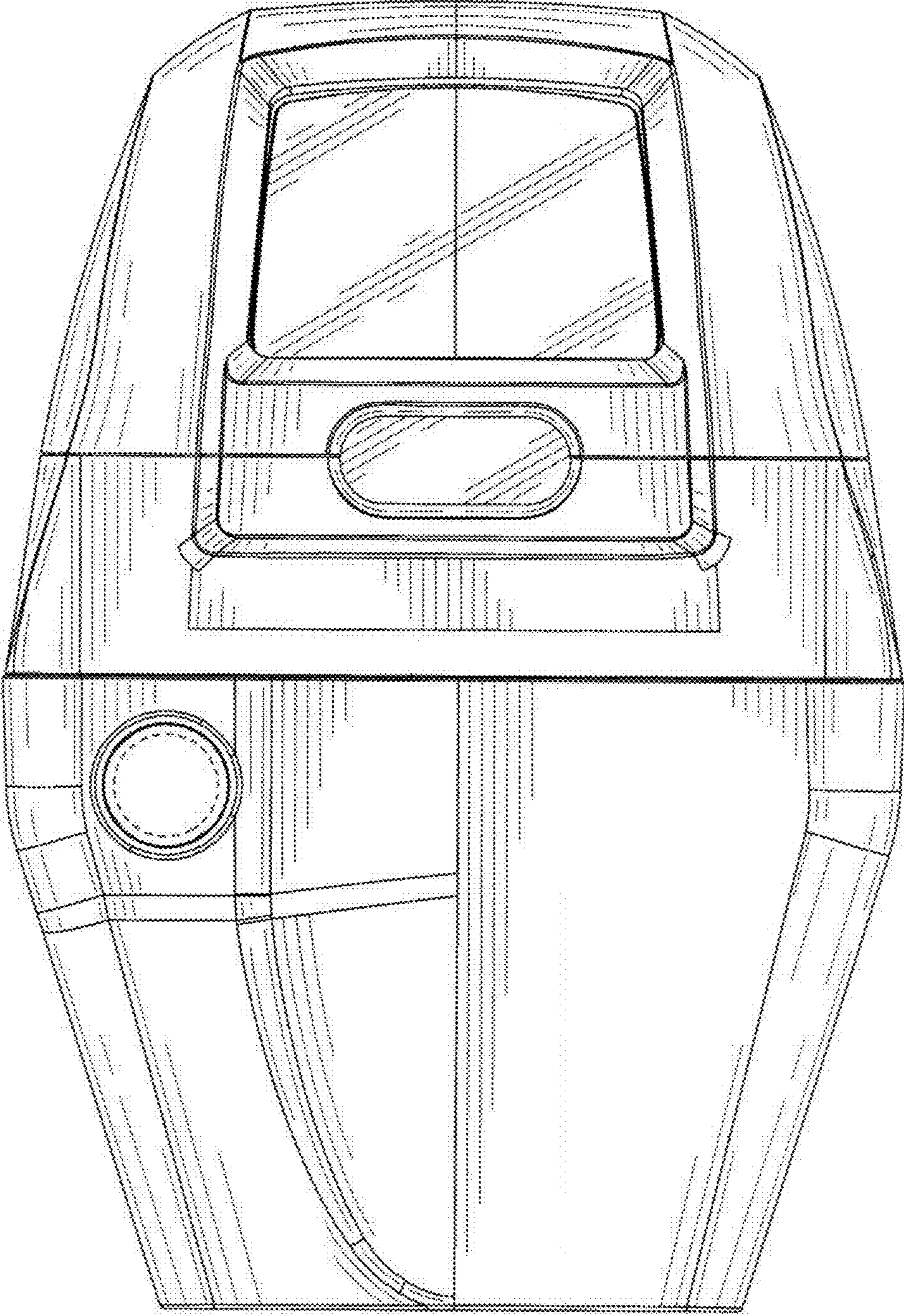


FIG. 3

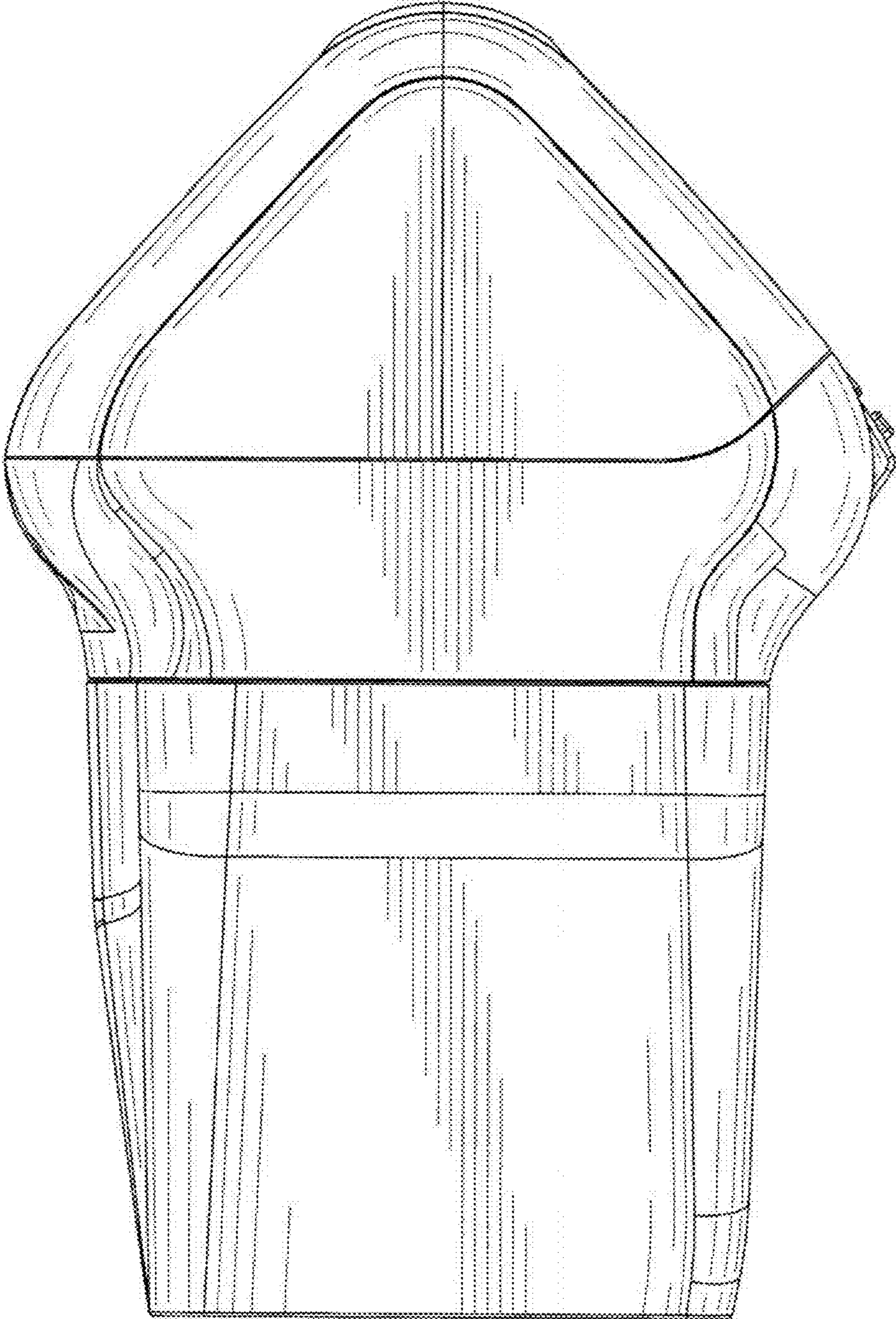


FIG. 4

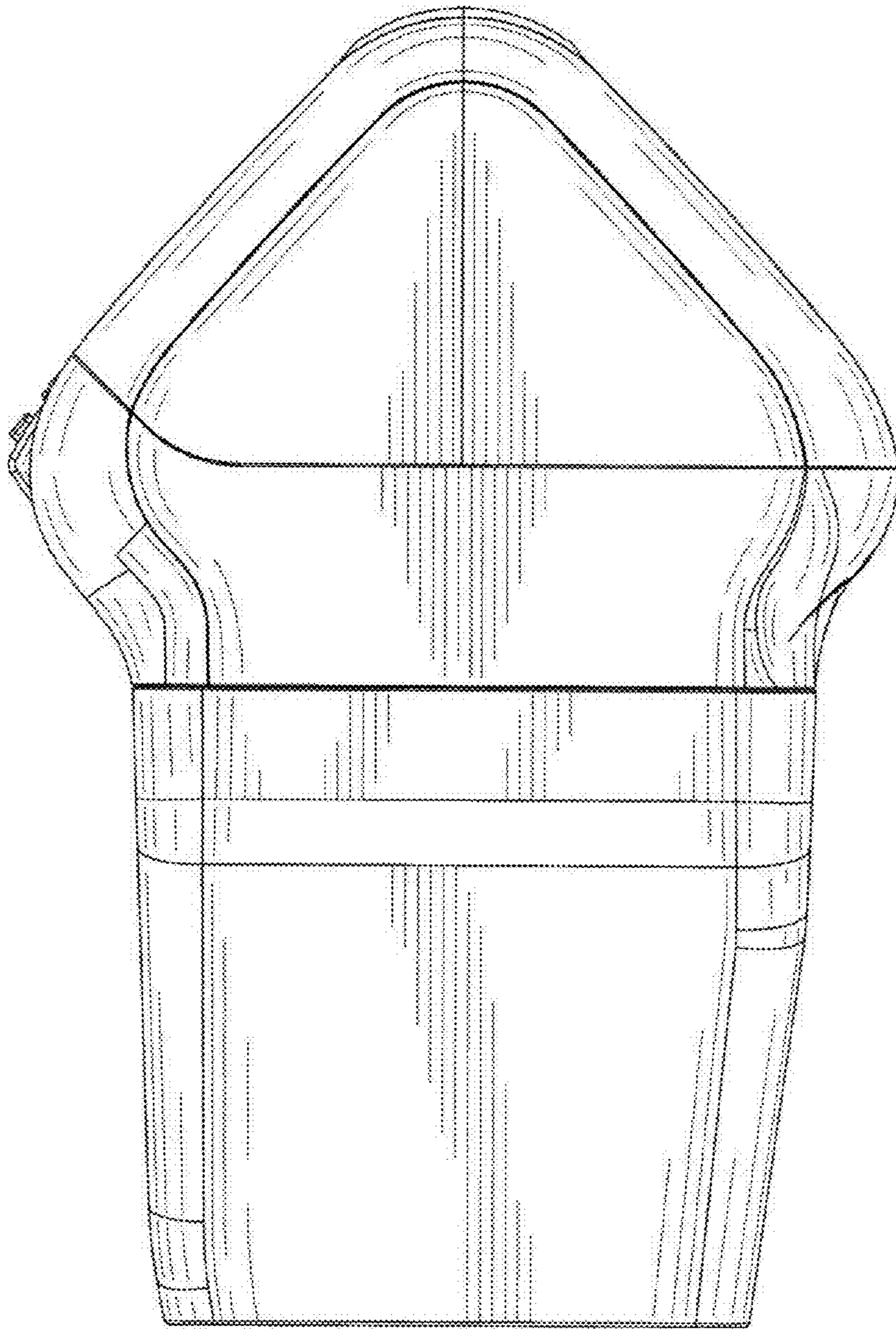


FIG. 5

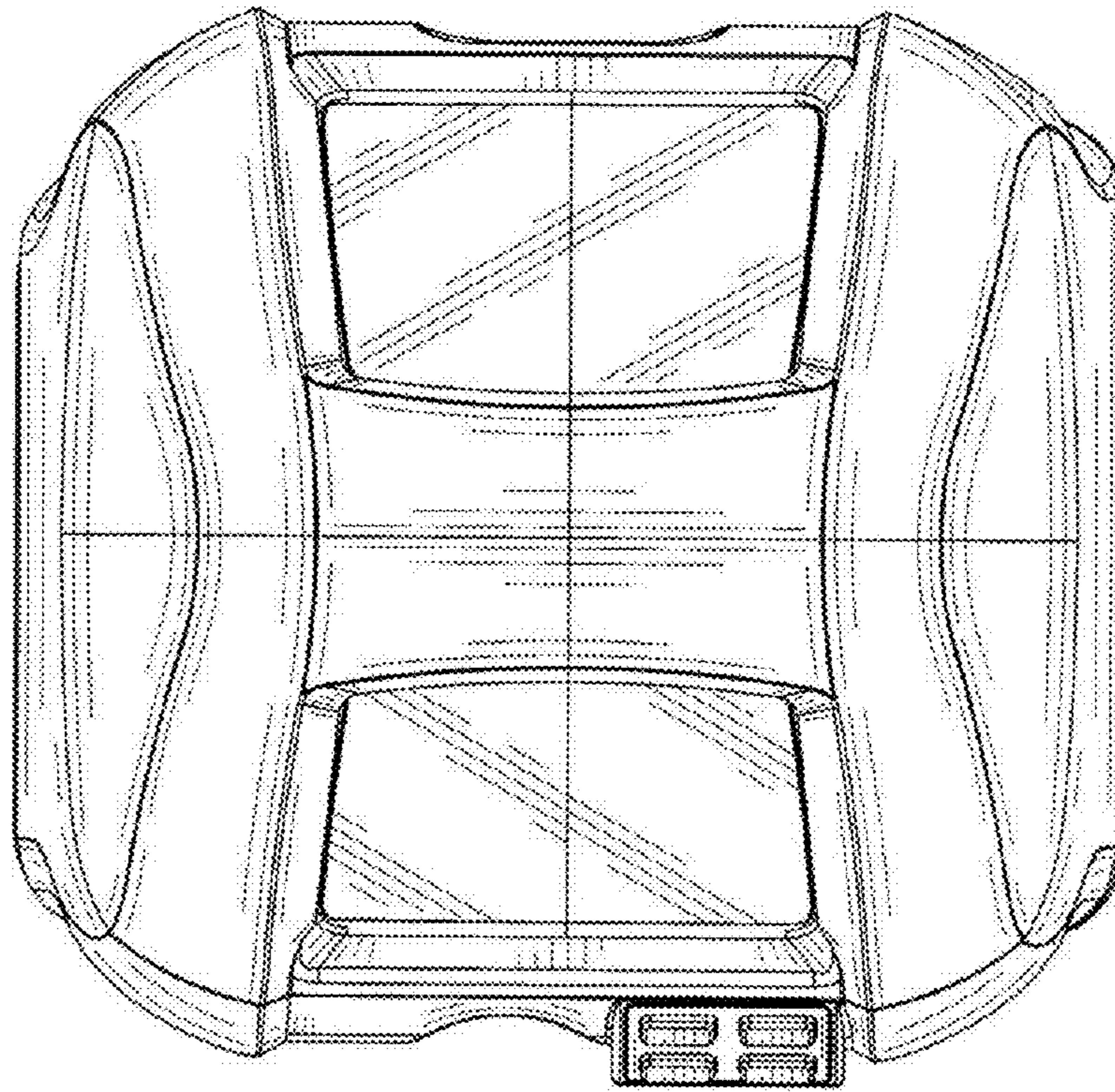


FIG. 6

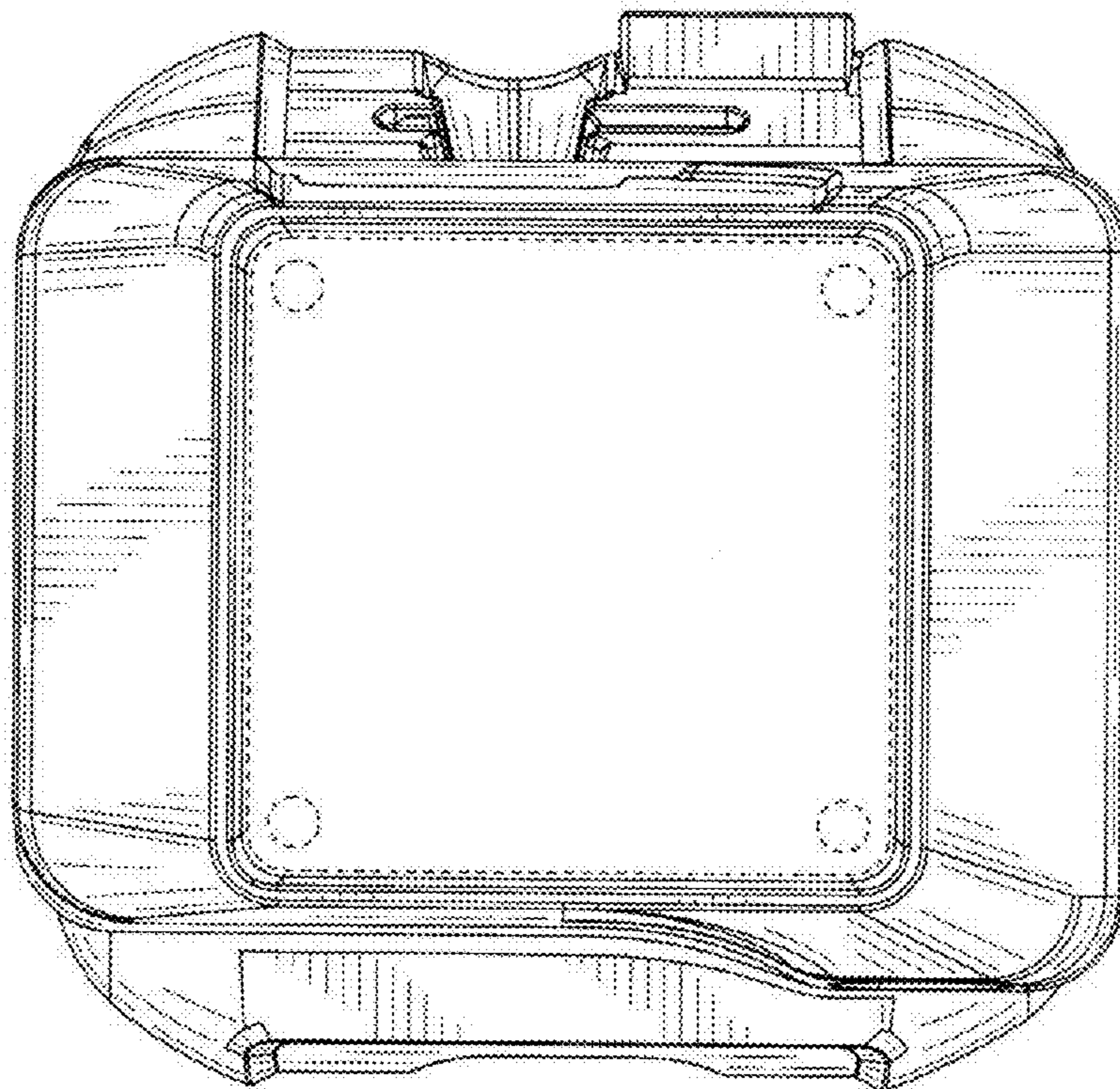


FIG. 7