



US00D707139S

(12) **United States Design Patent**
Mille

(10) **Patent No.:** **US D707,139 S**
(45) **Date of Patent:** **** Jun. 17, 2014**

- (54) **WATCH**
- (71) Applicant: **Turlen Holding SA**, Soyhières (CH)
- (72) Inventor: **Richard Mille**, Moulins (FR)
- (73) Assignee: **Turlen Holding SA**, Soyhieres (CH)
- (**) Term: **14 Years**
- (21) Appl. No.: **29/477,332**
- (22) Filed: **Dec. 20, 2013**
- (30) **Foreign Application Priority Data**

D568,180	S *	5/2008	Laucella	D10/39
D570,230	S *	6/2008	Monachon	D10/32
D570,231	S *	6/2008	Actis-Datta	D10/38
7,466,633	B2 *	12/2008	Giauque et al.	368/11
7,490,978	B2 *	2/2009	Crisci	368/294
D607,755	S *	1/2010	Kummer et al.	D10/38
7,782,714	B2 *	8/2010	El Kadiri	368/14
D637,092	S *	5/2011	Mille	D10/32
D646,589	S *	10/2011	Mille	D10/39
D648,639	S *	11/2011	Mille	D10/39
D650,707	S *	12/2011	Bellon	D10/38
D658,511	S *	5/2012	Wai Kei	D10/32
D658,515	S *	5/2012	Mille	D10/39
D664,047	S *	7/2012	Mille	D10/39
D678,082	S *	3/2013	Mille	D10/39
D691,902	S *	10/2013	Mille	D10/39
D693,245	S *	11/2013	Mille	D10/39
D694,657	S *	12/2013	Mille	D10/39

Sep. 6, 2013 (WO) DM/081 687

- (51) **LOC (10) Cl.** **10-02**
- (52) **U.S. Cl.**
USPC **D10/39**
- (58) **Field of Classification Search**
USPC D10/30-39, 122-132; 368/276, 281,
368/282, 285, 223, 228, 232, 80, 10, 11, 14,
368/294, 295
See application file for complete search history.

* cited by examiner

Primary Examiner — Lucy Lieberman

(74) *Attorney, Agent, or Firm* — Donald J. Ranft; Collen IP

(57) **CLAIM**
The ornamental design for a watch, as shown.

DESCRIPTION

FIG. 1 is a front right perspective view of a watch showing my new design;
 FIG. 2 is a front left perspective view thereof;
 FIG. 3 is a rear right perspective view thereof;
 FIG. 4 is a rear left perspective view thereof;
 FIG. 5 is a front view thereof;
 FIG. 6 is a rear view thereof;
 FIG. 7 is a left side view thereof;
 FIG. 8 is a right side view thereof;
 FIG. 9 is a top view thereof; and,
 FIG. 10 is a bottom view thereof.

1 Claim, 10 Drawing Sheets

(56) **References Cited**
U.S. PATENT DOCUMENTS

3,475,902	A *	11/1969	Wessel	368/10
3,740,944	A *	6/1973	Chopard	368/281
5,226,023	A *	7/1993	Grimm	368/223
D339,751	S *	9/1993	Besson	D10/39
D410,852	S *	6/1999	Riley	D10/30
6,483,781	B2 *	11/2002	Igarashi et al.	368/66
D505,342	S *	5/2005	Hayek	D10/39
D525,148	S *	7/2006	Gruosi	D10/30
D530,628	S *	10/2006	Raffy	D10/32
7,242,639	B2 *	7/2007	Blondeau et al.	368/11



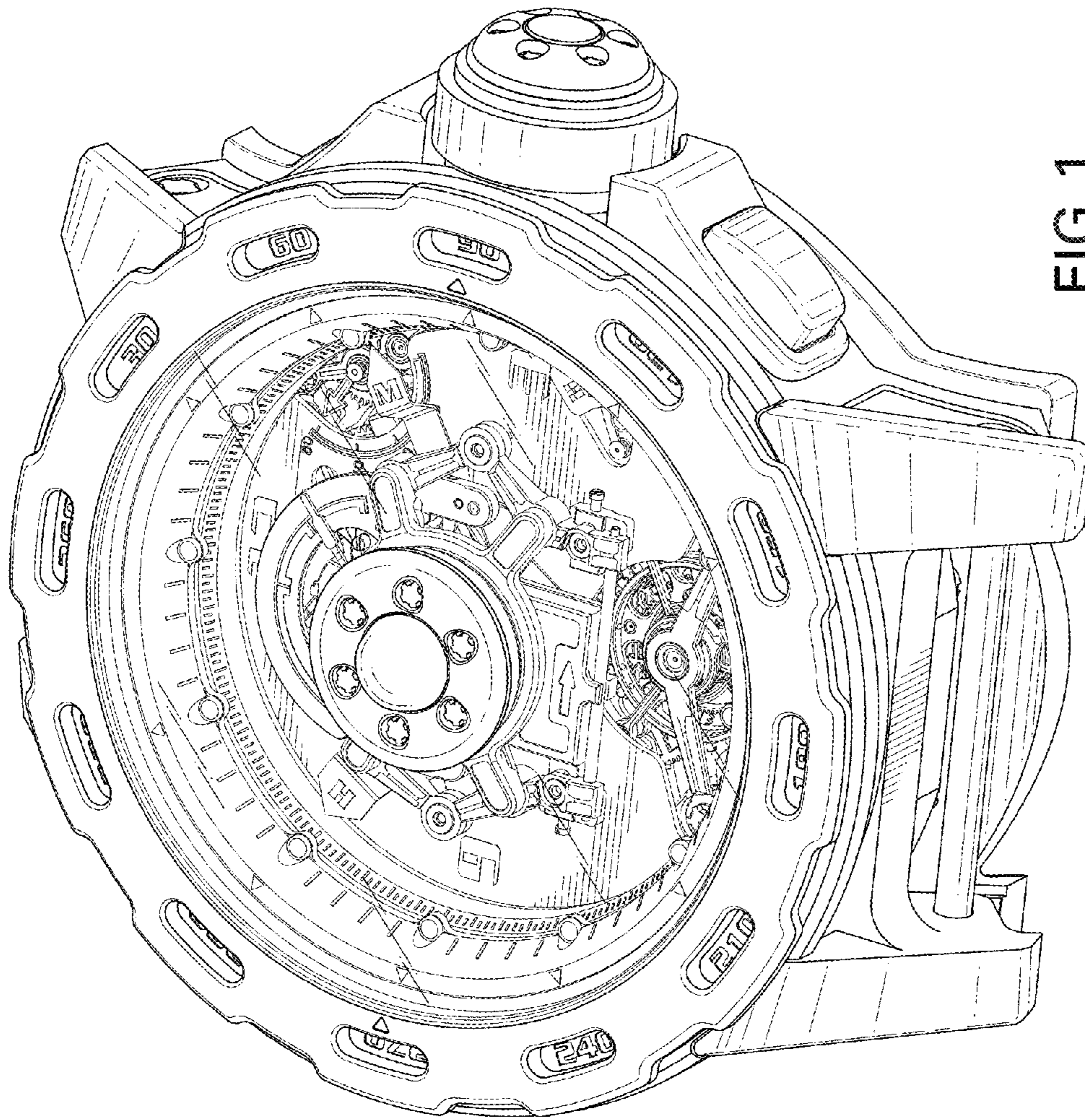


FIG.1

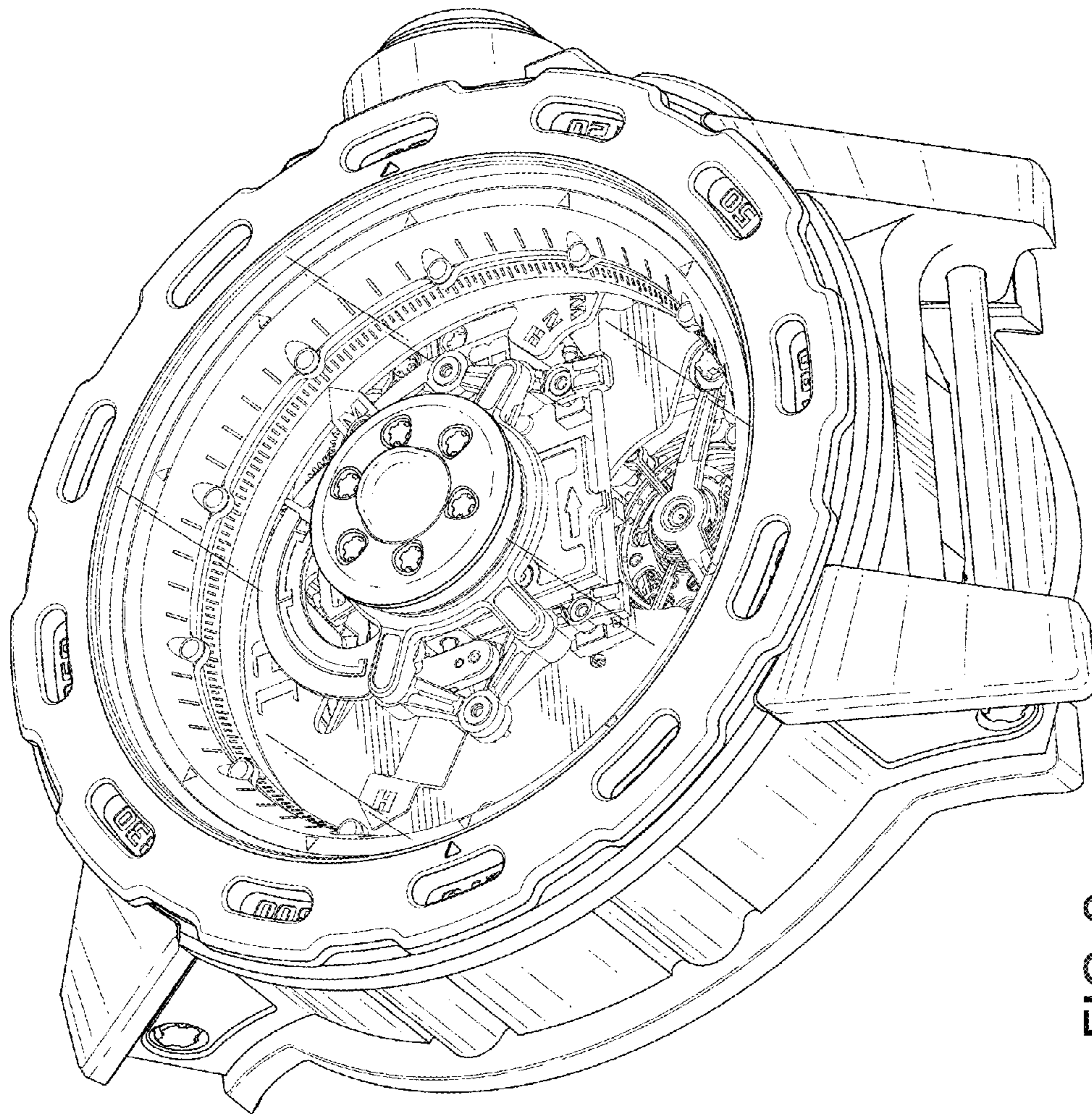


FIG. 2

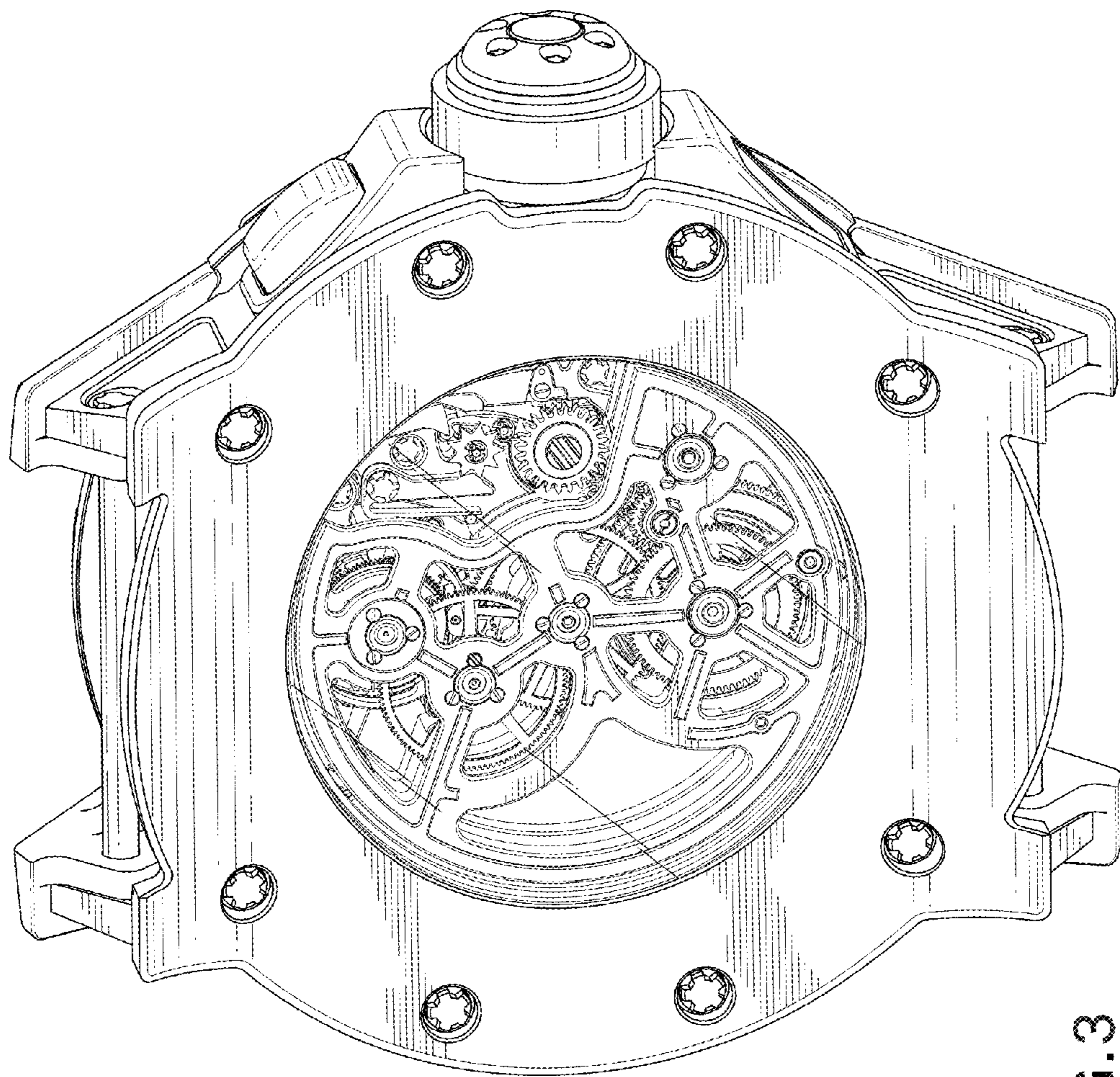


FIG. 3

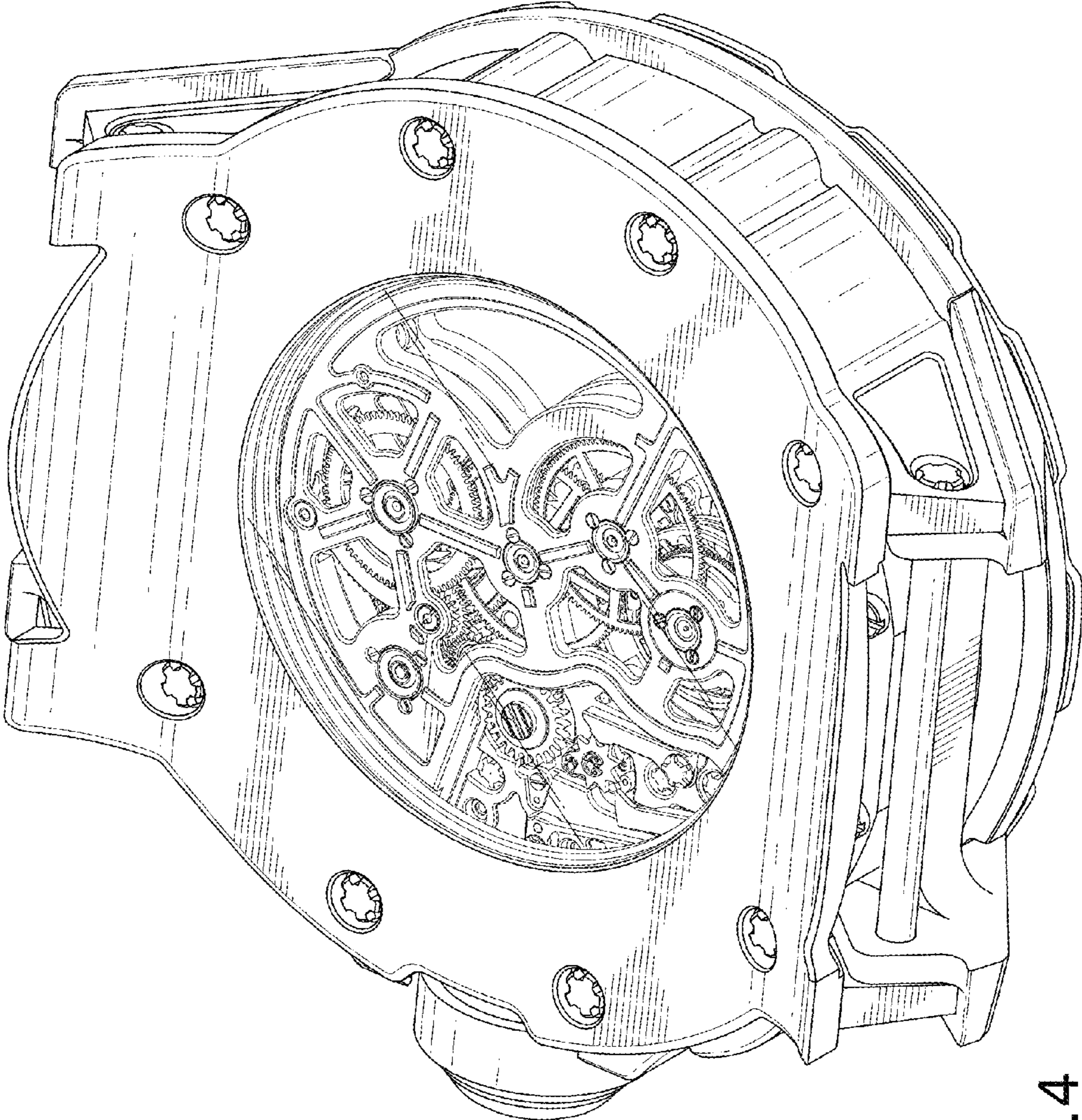


FIG. 4

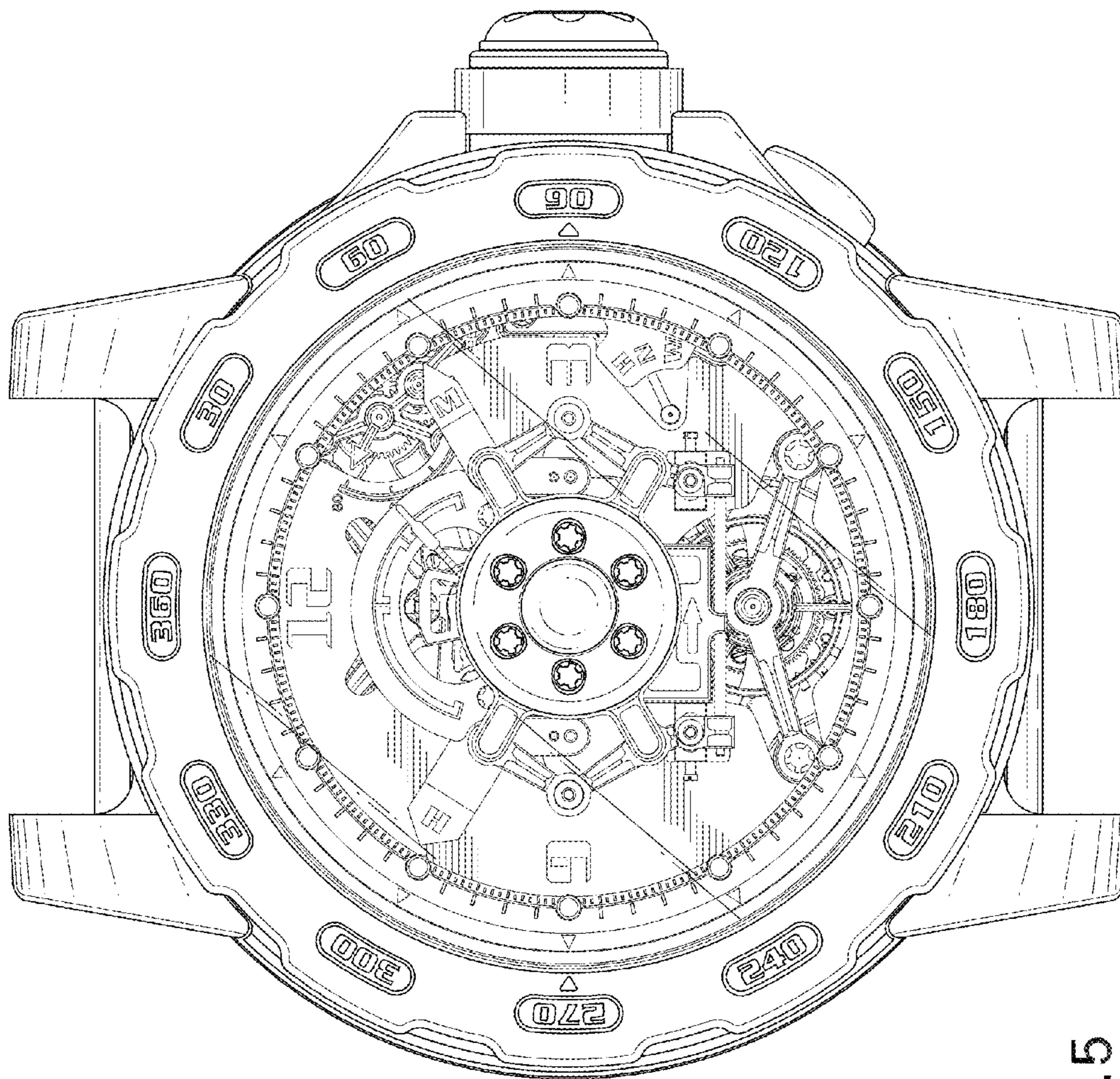


FIG. 5

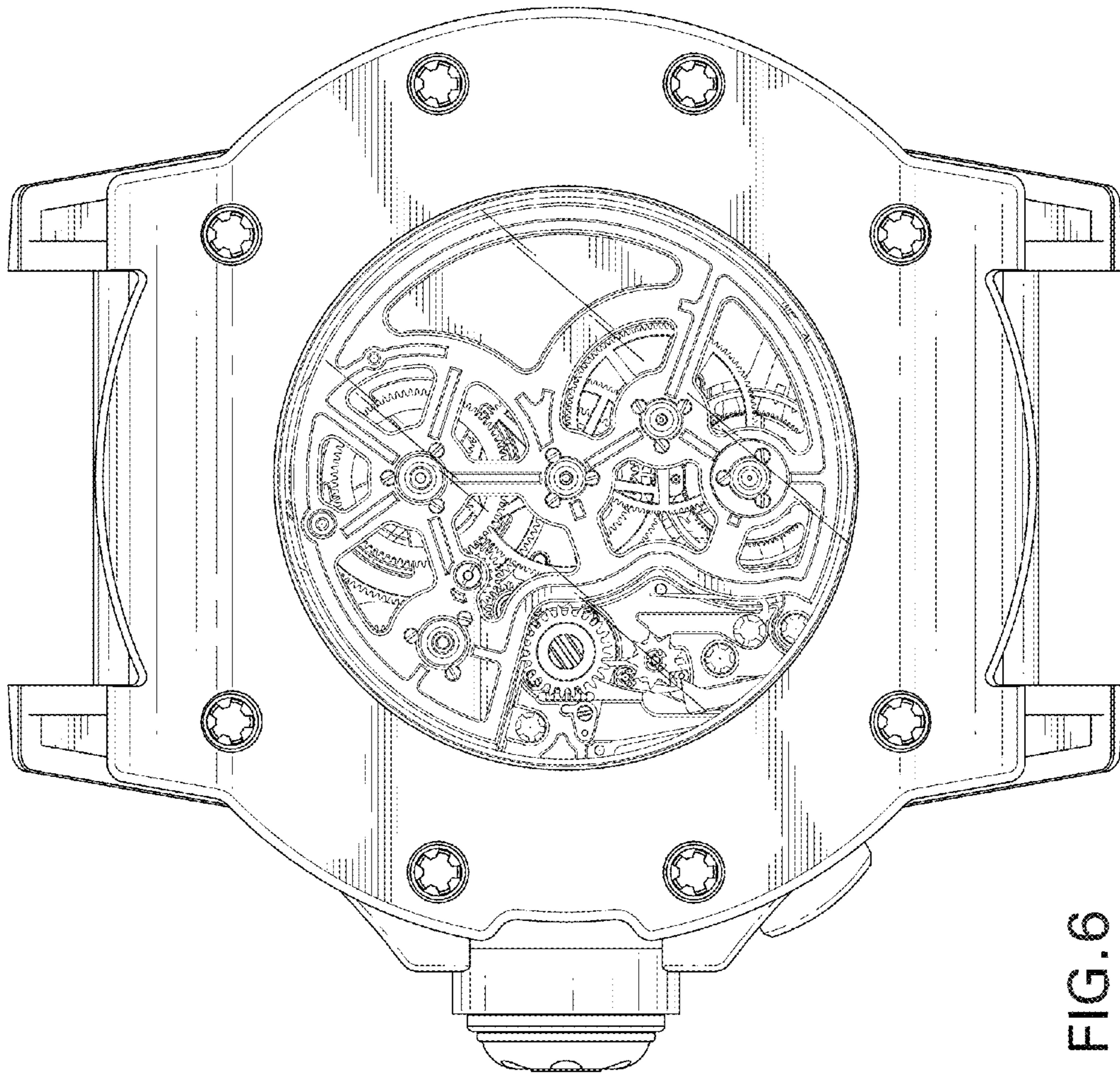


FIG. 6

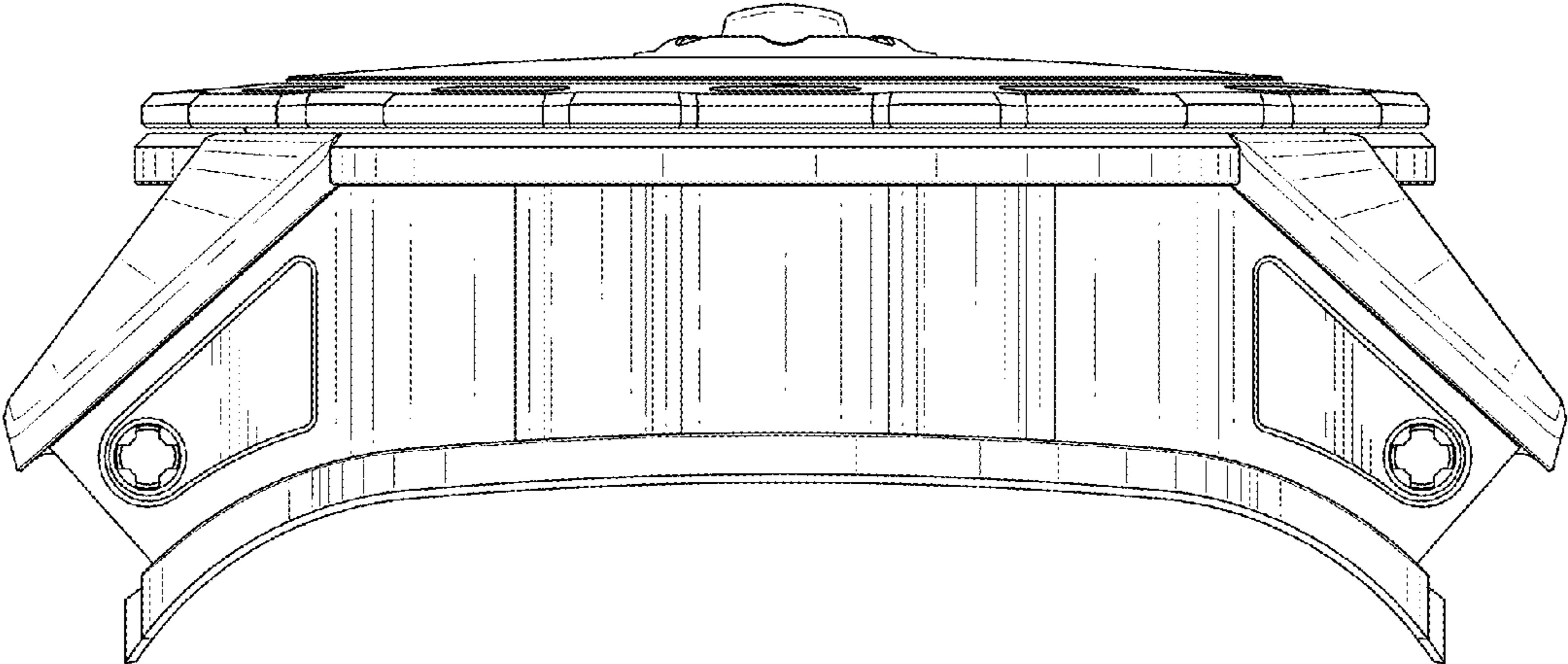


FIG. 7

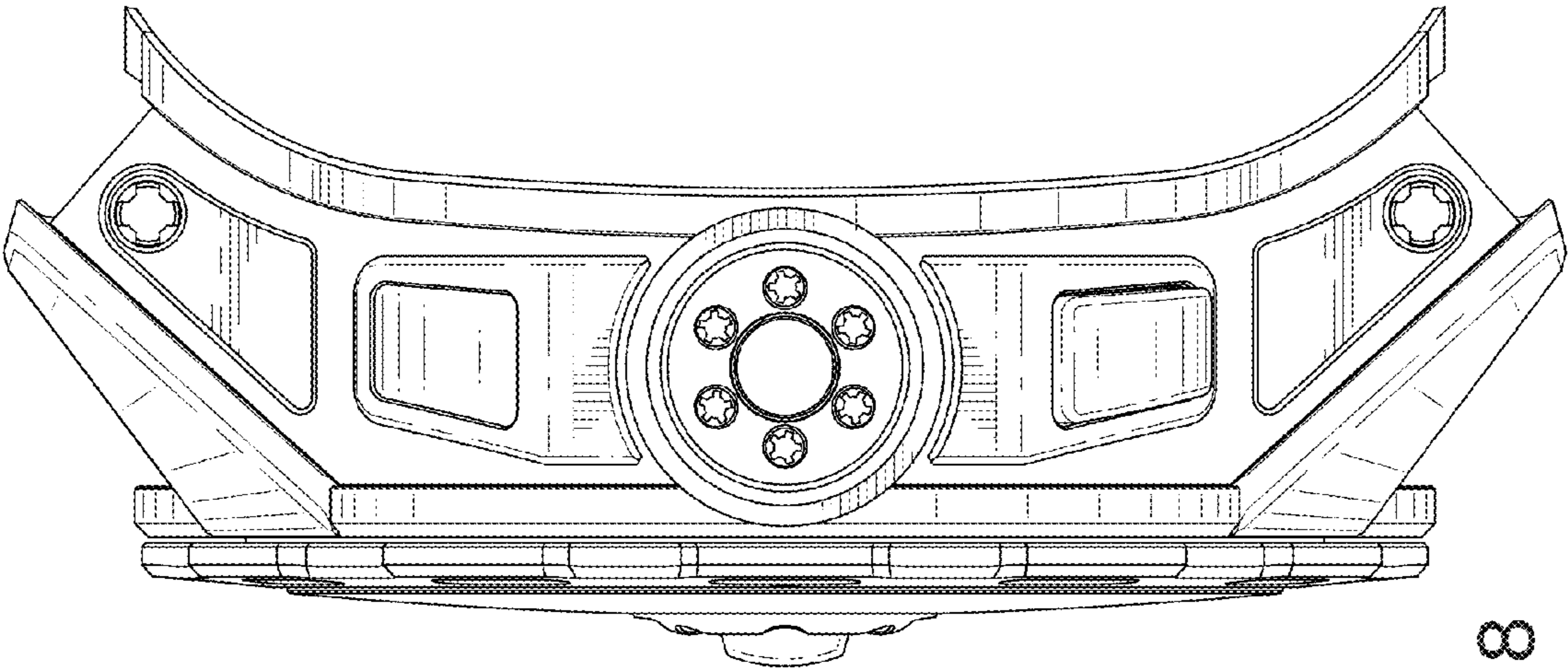


FIG. 8

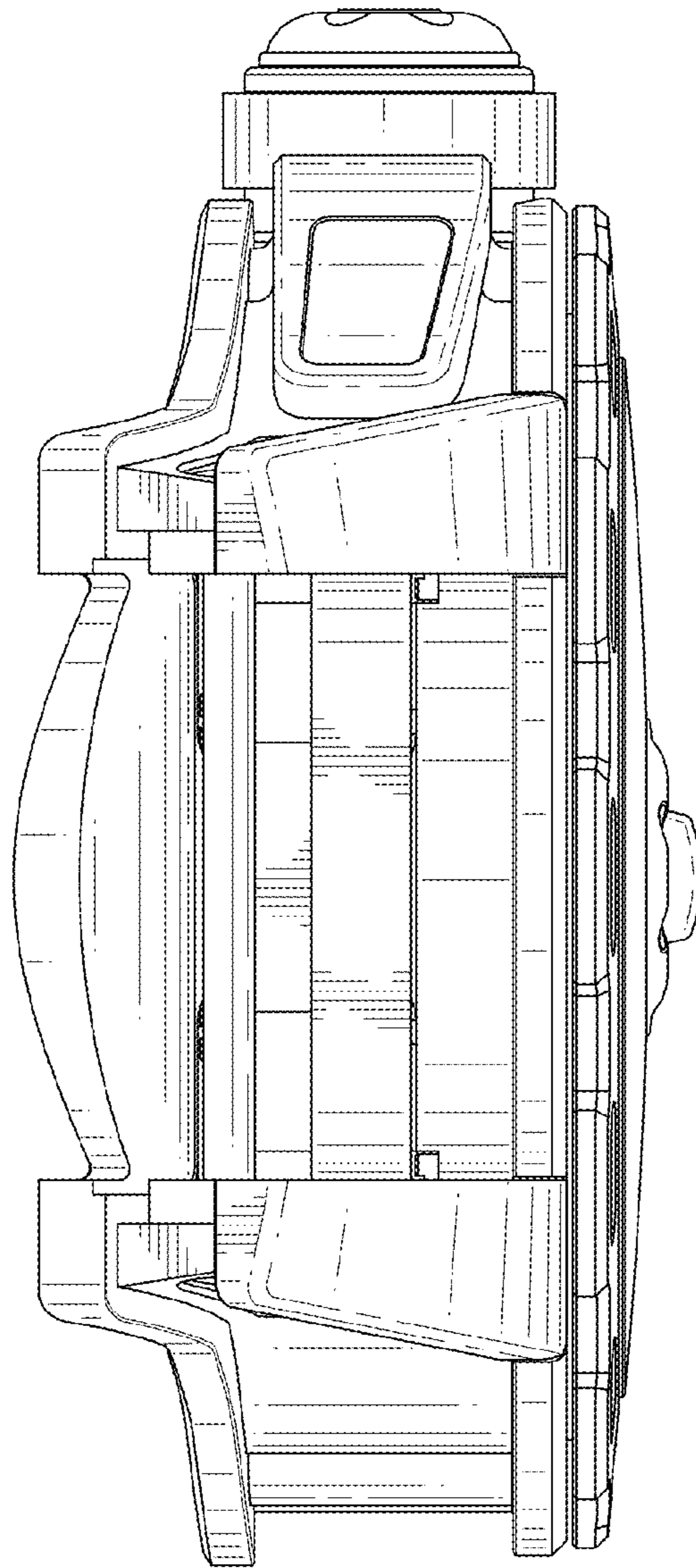


FIG. 9

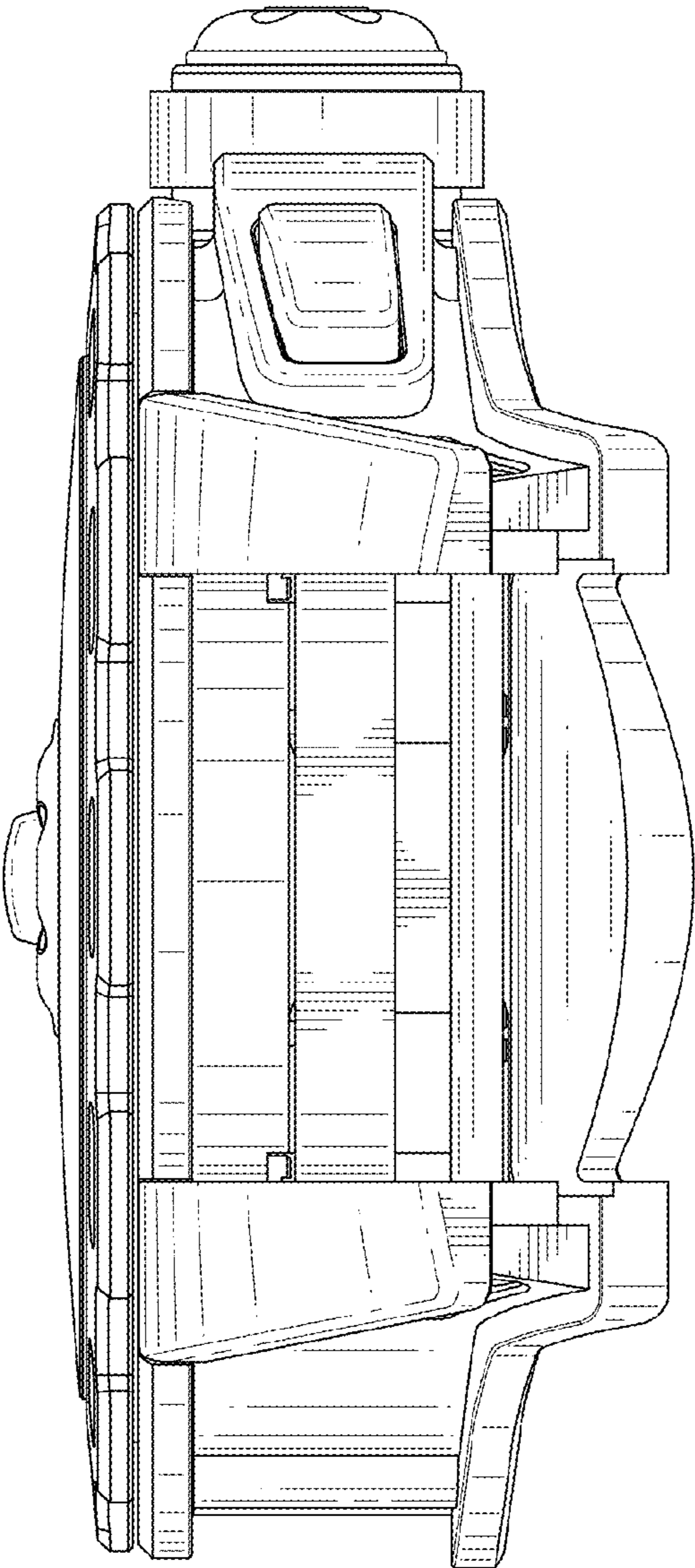


FIG. 10