



US00D707134S

(12) **United States Design Patent**
Simpson et al.

(10) **Patent No.:** **US D707,134 S**

(45) **Date of Patent:** **** Jun. 17, 2014**

(54) **PACKAGE WITH AN INTERIOR
CONCENTRATE COMPARTMENT**

(71) Applicant: **Diversey, Inc.**, Duncan, SC (US)

(72) Inventors: **William E. Simpson**, New Berlin, WI
(US); **John Conrardy**, Burlington, WI
(US); **Michael H. Bertucci**, Gurnee, IL
(US)

(73) Assignee: **Diversey, Inc.**, Sturtevant, WI (US)

(**) Term: **14 Years**

(21) Appl. No.: **29/480,990**

(22) Filed: **Jan. 31, 2014**

(51) **LOC (10) Cl.** **09-05**

(52) **U.S. Cl.**
USPC **D9/709**

(58) **Field of Classification Search**
USPC D9/702-714, 720-722, 414, 434-435,
D9/696, 716, 771, 447, 516-517, 738-747,
D9/544; D24/118, 207; 383/6, 9, 22, 96,
383/61.1, 80-81, 104, 901, 63, 203, 107,
383/119-120, 123; 222/107, 92, 206;
604/408, 410, 403; 220/495.03, 675;
215/381-385, 400; 206/484; D3/202;
428/34.3

See application file for complete search history.

(56) **References Cited**

U.S. PATENT DOCUMENTS

D425,786 S *	5/2000	Voller	D9/708
D478,504 S *	8/2003	Crozet et al.	D9/708
D604,636 S *	11/2009	McMorris	D9/708
D604,637 S *	11/2009	Ueda	D9/708
D617,655 S *	6/2010	Fiero	D9/702
D619,907 S *	7/2010	Ueda	D9/708
D644,937 S *	9/2011	Ueda et al.	D9/708
D676,763 S *	2/2013	Kenmotsu et al.	D9/707
D687,719 S *	8/2013	Last	D9/709
D695,133 S *	12/2013	Temam	D9/709
D699,119 S *	2/2014	Fukuda et al.	D9/624
D699,128 S *	2/2014	Moynihan	D9/707

* cited by examiner

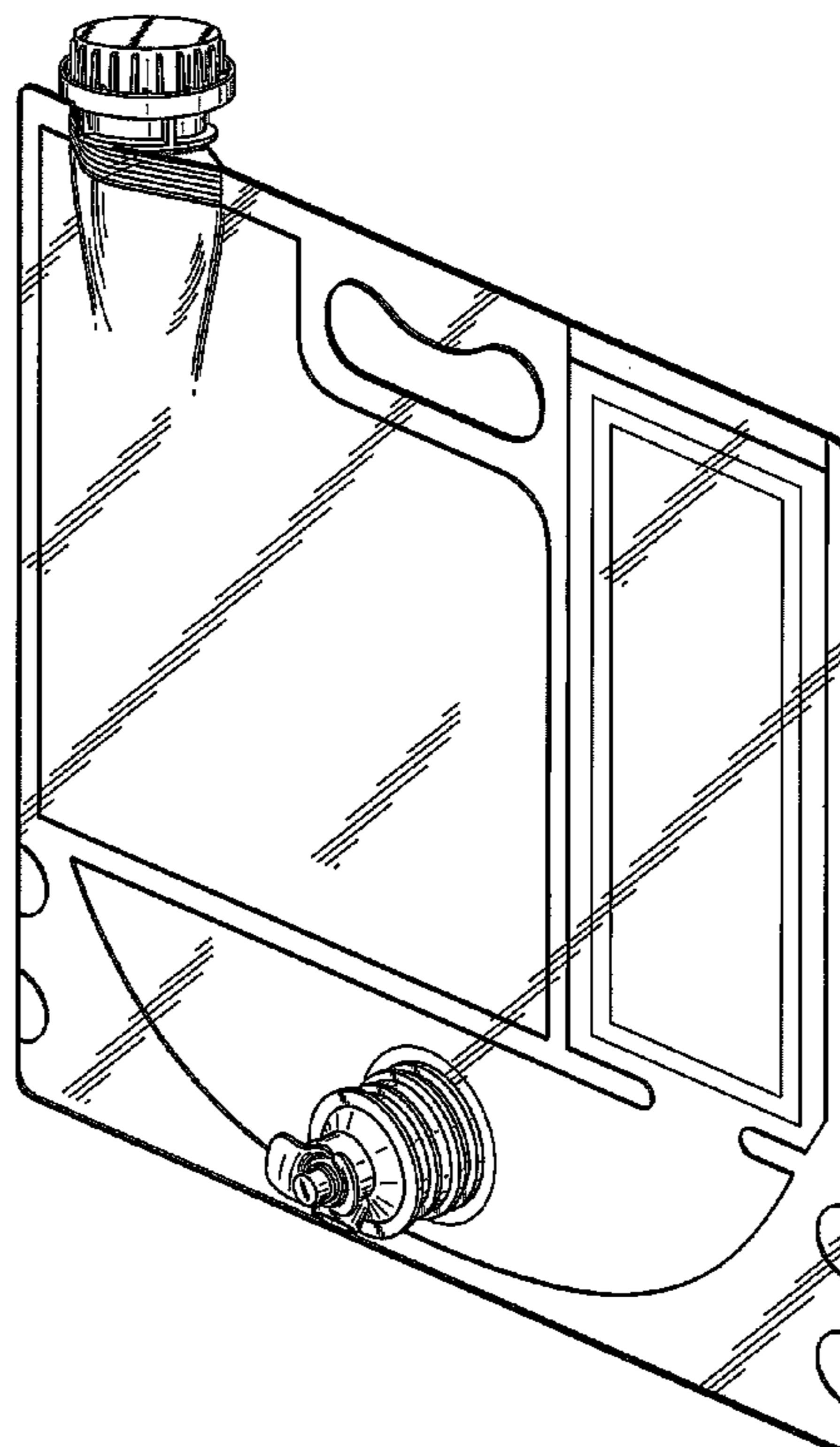
Primary Examiner — Caron D Veynar
Assistant Examiner — Abraham Bahta
(74) *Attorney, Agent, or Firm* — Ashley D. Wilson

(57) **CLAIM**
The ornamental design for a package with an interior concentrate compartment, as shown and described.

DESCRIPTION

FIG. 1 is a perspective view of the package with an interior concentrate compartment showing our new design;
FIG. 2 is a top plan view thereof;
FIG. 3 is a front elevation view thereof;
FIG. 4 is a rear elevation view thereof;
FIG. 5 is a bottom plan view thereof;
FIG. 6 is a right side view thereof; and,
FIG. 7 is a left side view thereof.

1 Claim, 4 Drawing Sheets



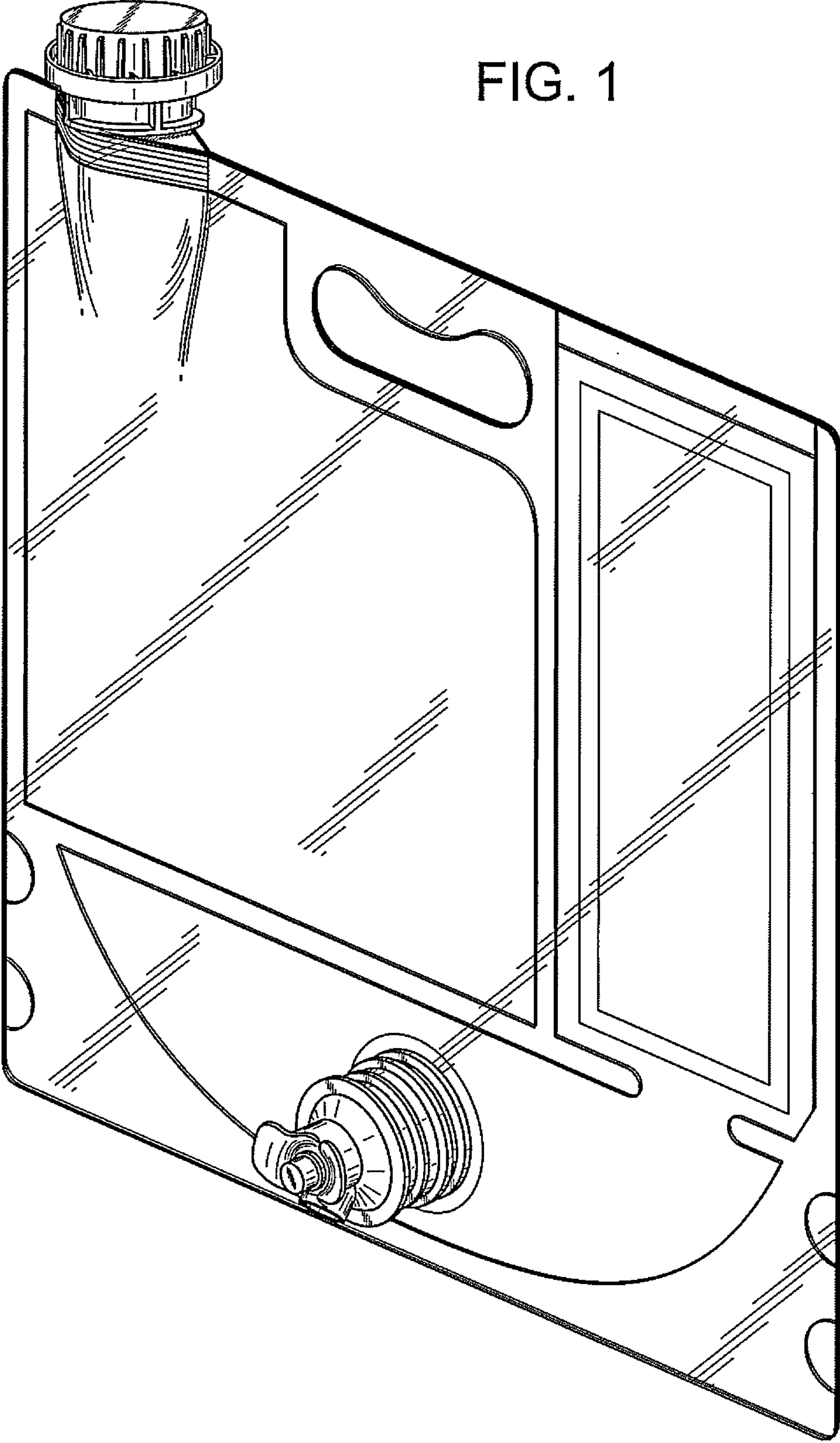


FIG. 1

FIG. 2

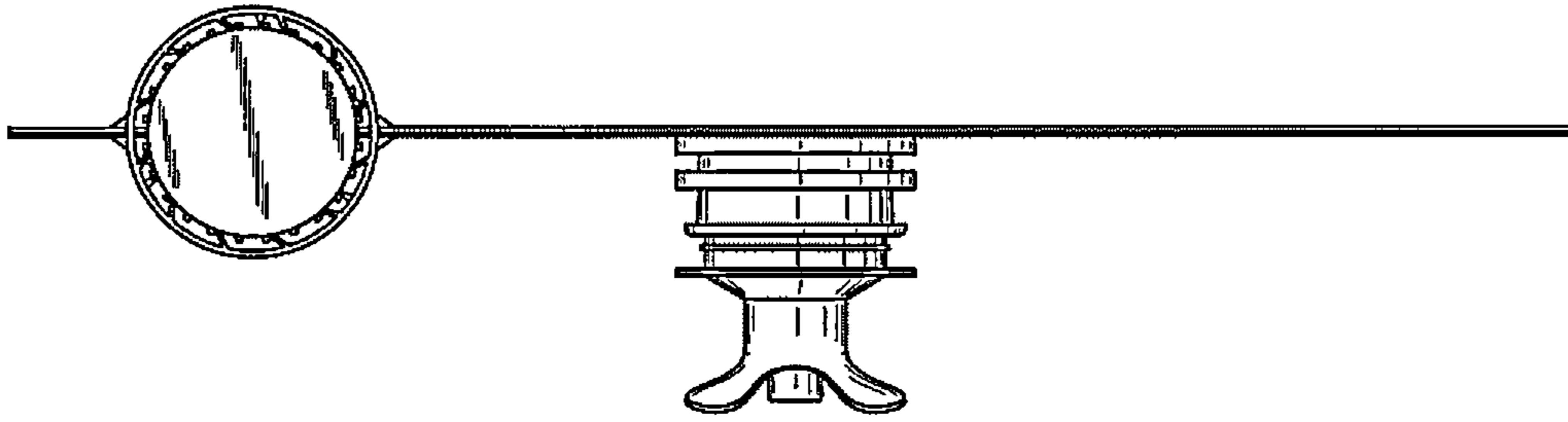


FIG. 3

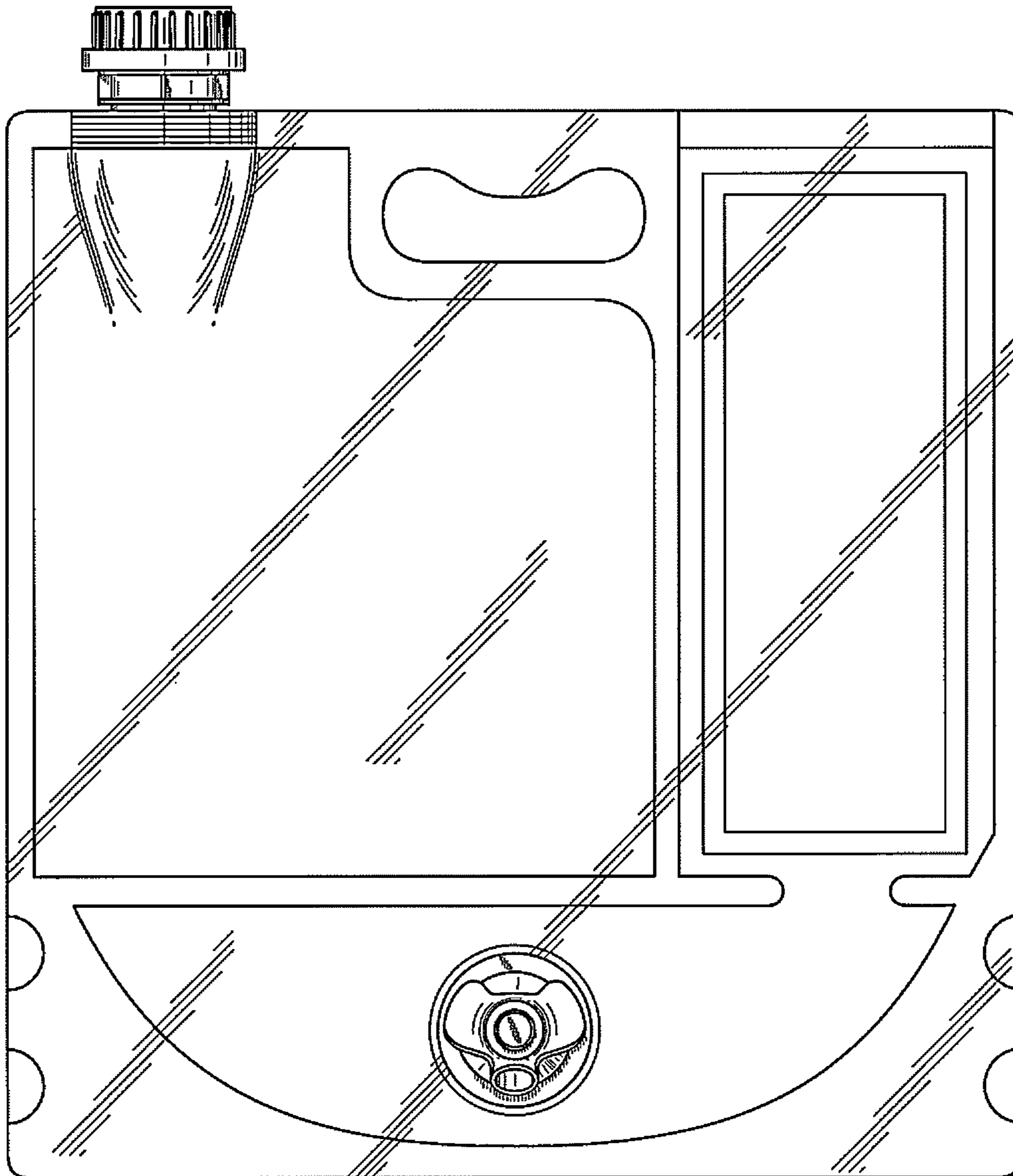


FIG. 4

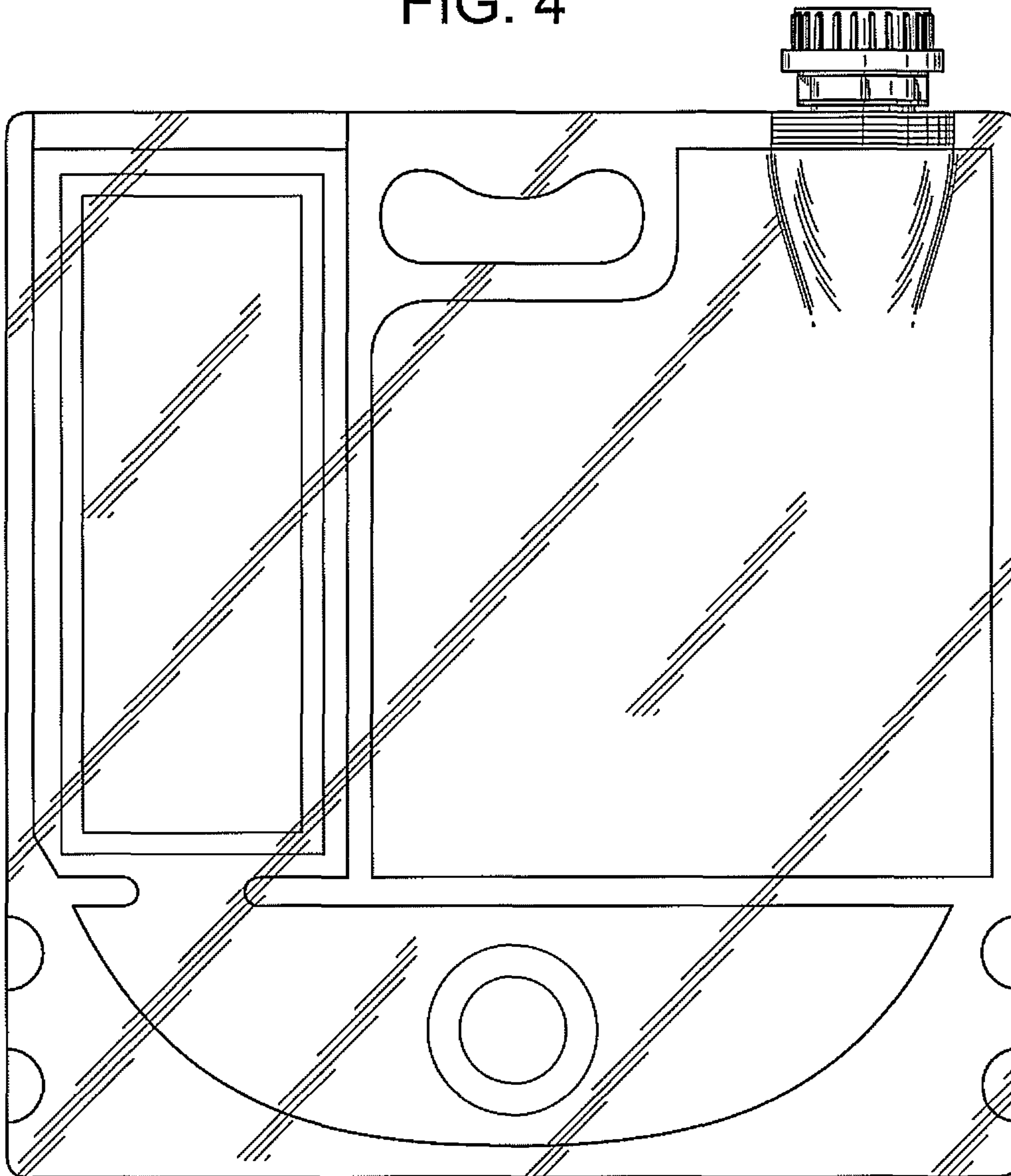


FIG. 5

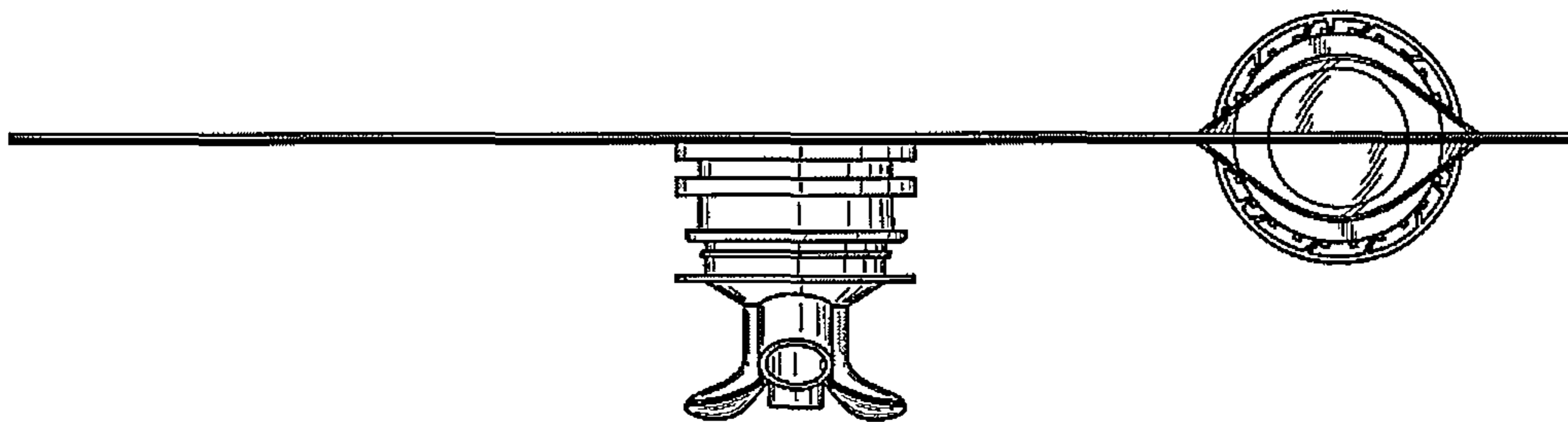


FIG. 6

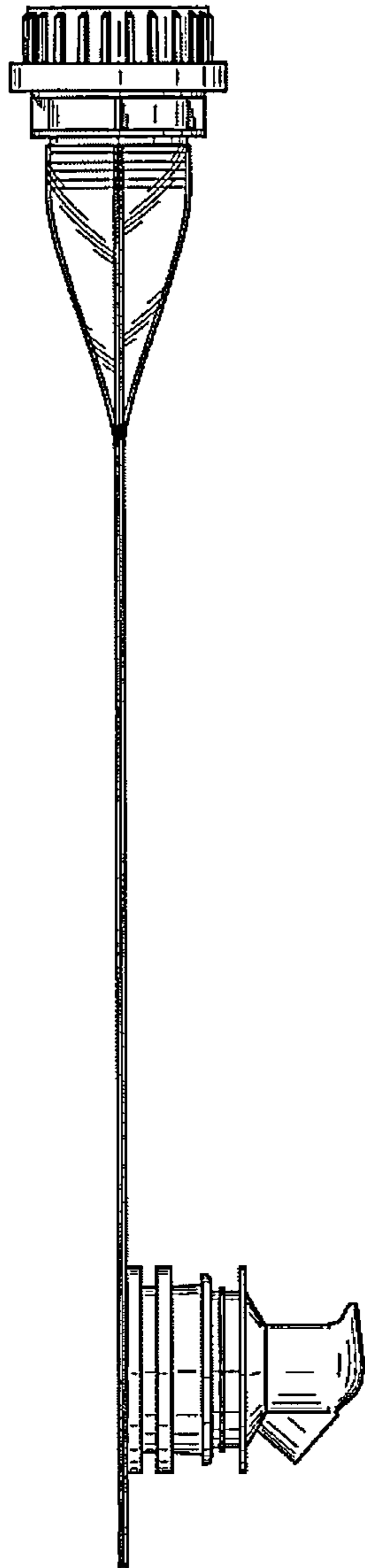


FIG. 7

