



US00D707125S

(12) **United States Design Patent**  
**Santarelli et al.**

(10) **Patent No.:** **US D707,125 S**  
(45) **Date of Patent:** **\*\* Jun. 17, 2014**

- (54) **DISPENSING CLOSURE**
- (71) Applicant: **MBF Embalagens Ltda.**, Maringa/PR (BR)
- (72) Inventors: **Marcelo Santarelli**, Buesos Aires (AR);  
**Luis Agustin Barrera**, Buenos Aires (AR)
- (73) Assignee: **MBF Embalagens Ltda.**, Maringa/PR (BR)
- (\*\*) Term: **14 Years**
- (21) Appl. No.: **29/436,117**
- (22) Filed: **Nov. 1, 2012**
- (51) **LOC (10) Cl.** ..... **09-07**
- (52) **U.S. Cl.**  
USPC ..... **D9/447; D9/449**
- (58) **Field of Classification Search**  
CPC ..... B65D 47/243  
USPC ..... D9/434, 435, 439, 440, 443, 446, 447,  
D9/448, 449, 453, 454, 417; D7/396.2,  
D7/392.1; 215/235, 236, 307, 311;  
220/254.2-254.5, 259.3, 26, 715, 837;  
222/212, 484, 525, 556, 566; 493/87  
See application file for complete search history.

- D505,327 S \* 5/2005 Bakic ..... D9/449
- D508,202 S \* 8/2005 Dobson et al. .... D9/447
- D517,489 S \* 3/2006 Kawase et al. .... D13/147
- D576,038 S \* 9/2008 Mazurkiewicz et al. .... D9/449
- D601,425 S \* 10/2009 Miller et al. .... D9/522
- D617,189 S \* 6/2010 Casey et al. .... D9/447
- D618,098 S \* 6/2010 Casey et al. .... D9/447
- D625,186 S \* 10/2010 Rossignol ..... D9/448
- D626,411 S \* 11/2010 Lohrman ..... D9/449
- D638,705 S \* 5/2011 Schawo ..... D9/443

\* cited by examiner

*Primary Examiner* — Robert M Spear

(74) *Attorney, Agent, or Firm* — William J. Sapone; Ware Fressola; Maguire & Barber LLP

(57) **CLAIM**

We claim the ornamental design for a dispensing closure, as shown and described.

**DESCRIPTION**

FIG. 1 is a front perspective view of the dispensing closure showing our new design;  
FIG. 2 is a front view thereof;  
FIG. 3 is a rear view thereof;  
FIG. 4 is a left side view thereof;  
FIG. 5 is right side view thereof;  
FIG. 6 is a top view thereof; and,  
FIG. 7 is a bottom view thereof.  
The broken lines in the drawings represent unclaimed environmental subject matter and form no part of the claim.

(56) **References Cited**

**U.S. PATENT DOCUMENTS**

- D434,659 S \* 12/2000 Lonczak et al. .... D9/449
- D436,039 S \* 1/2001 Moretti ..... D9/448

**1 Claim, 3 Drawing Sheets**

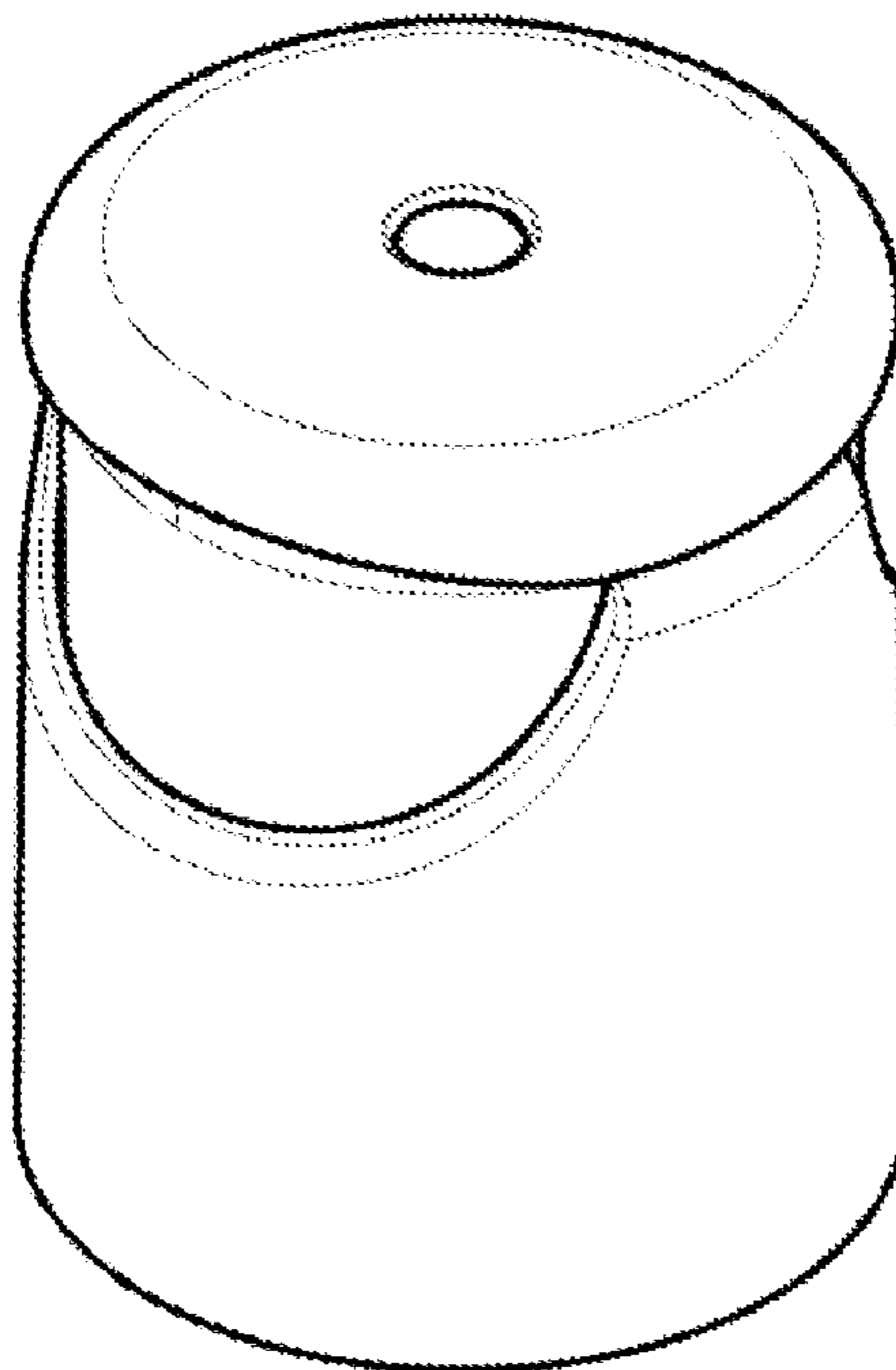


FIG.1

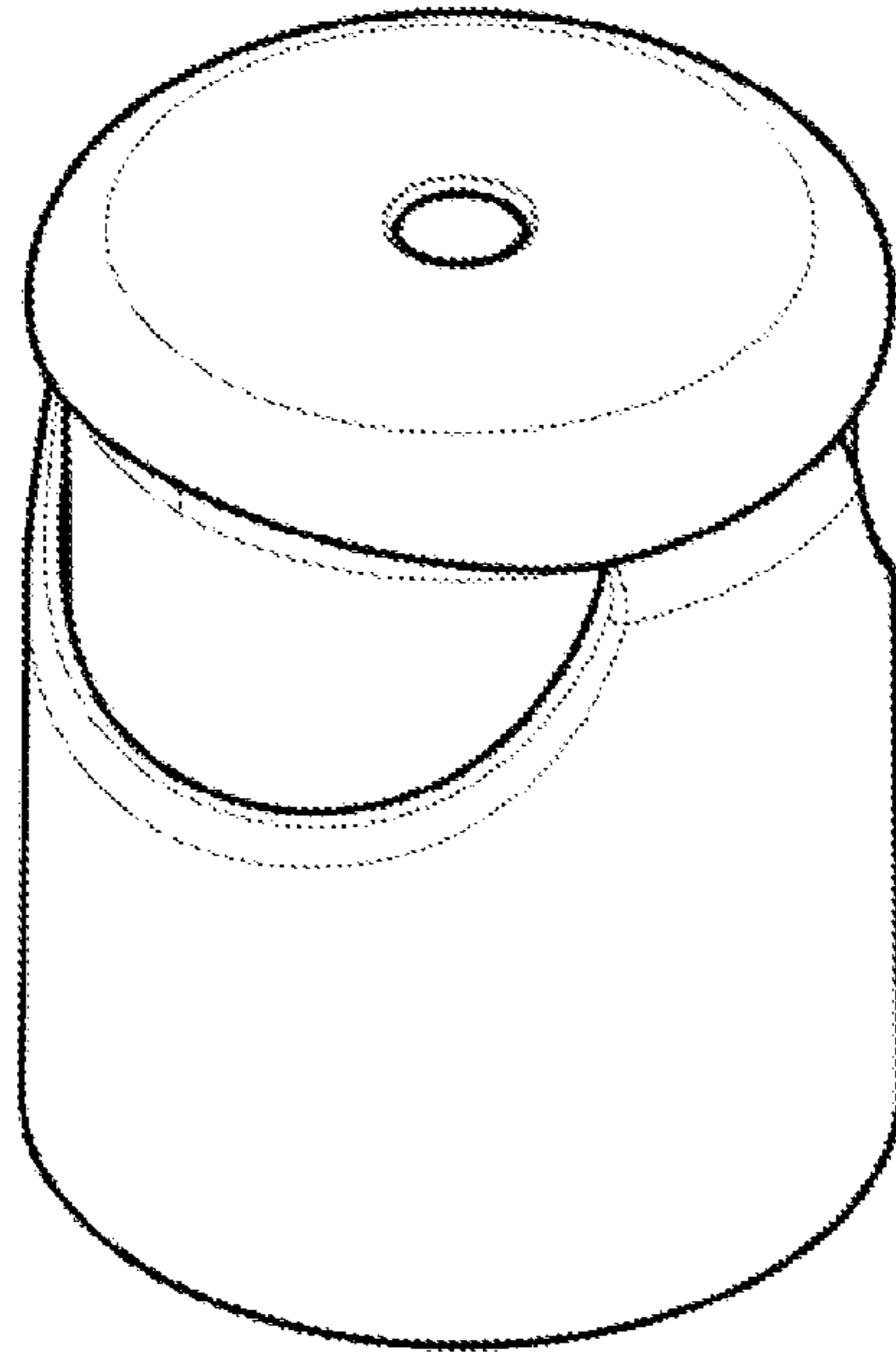


FIG.2

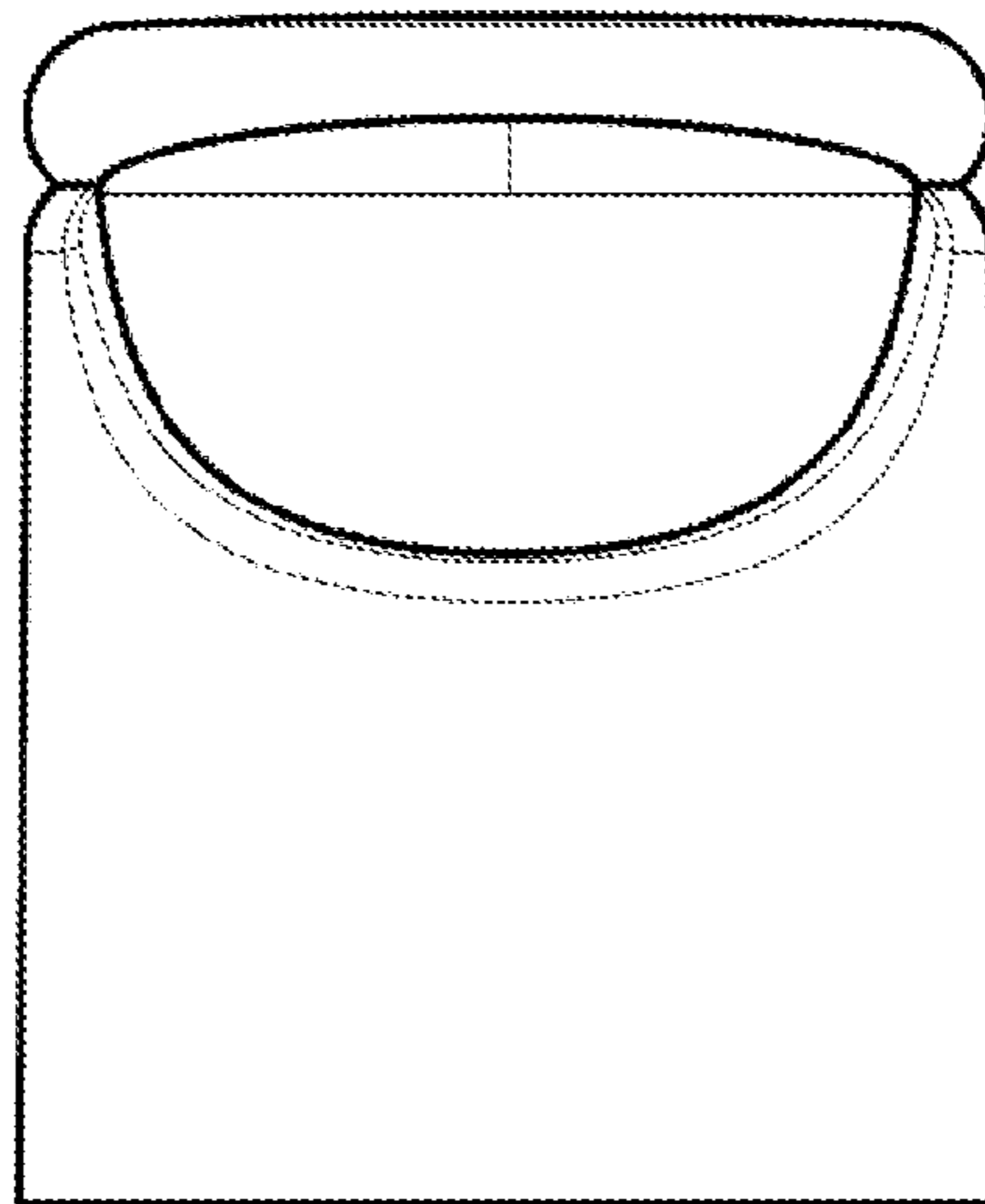


FIG.3

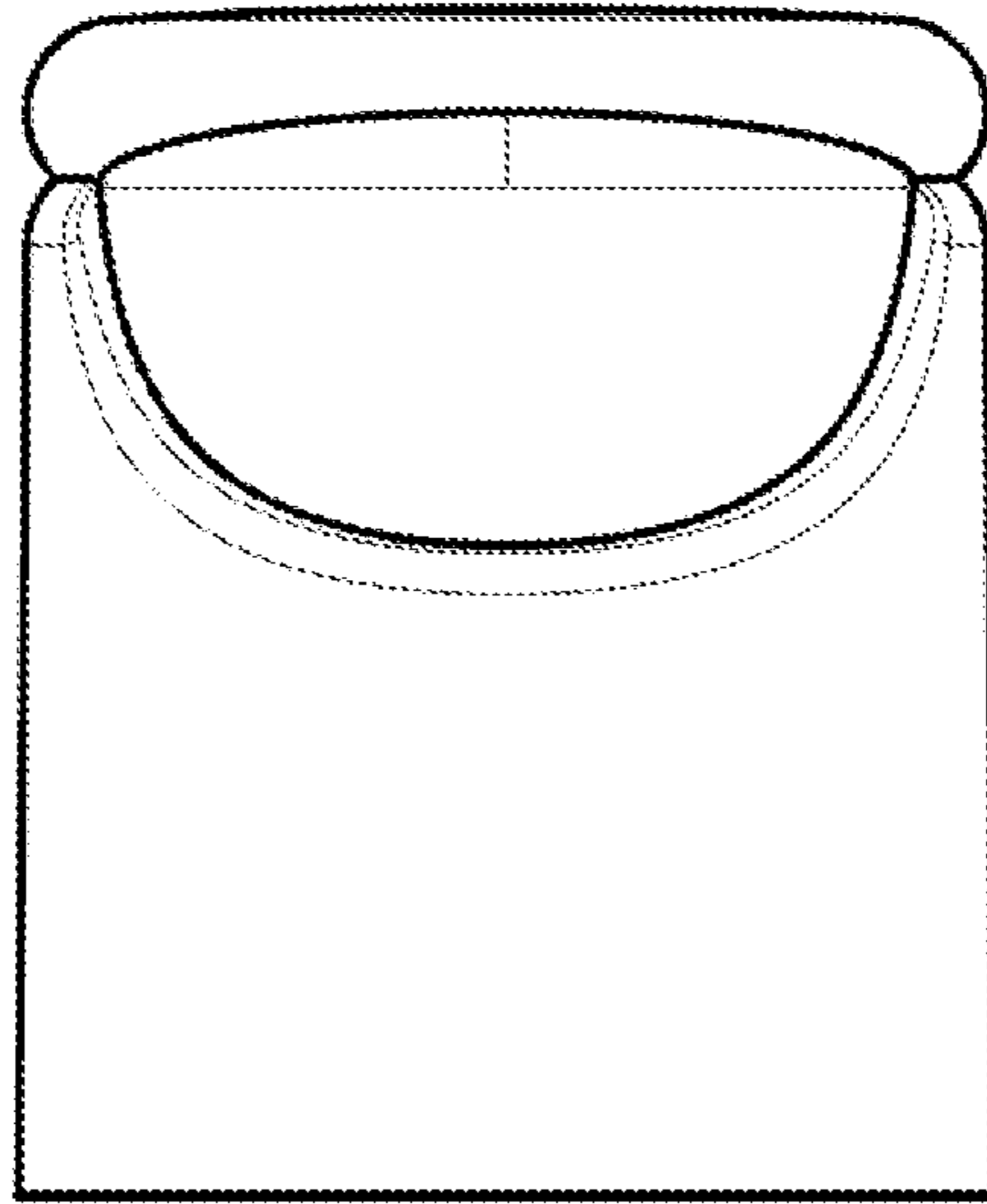


FIG.4

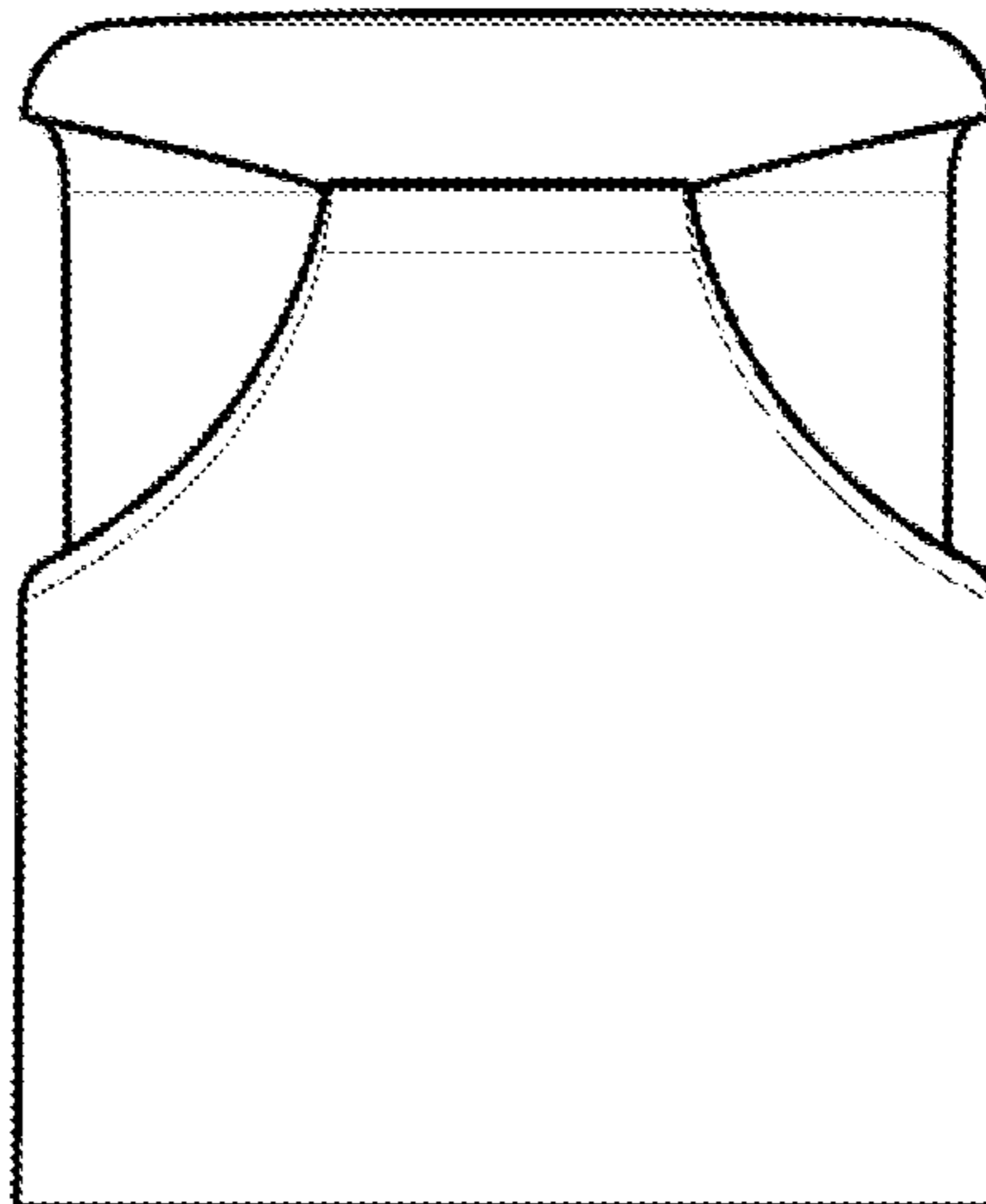


FIG.5

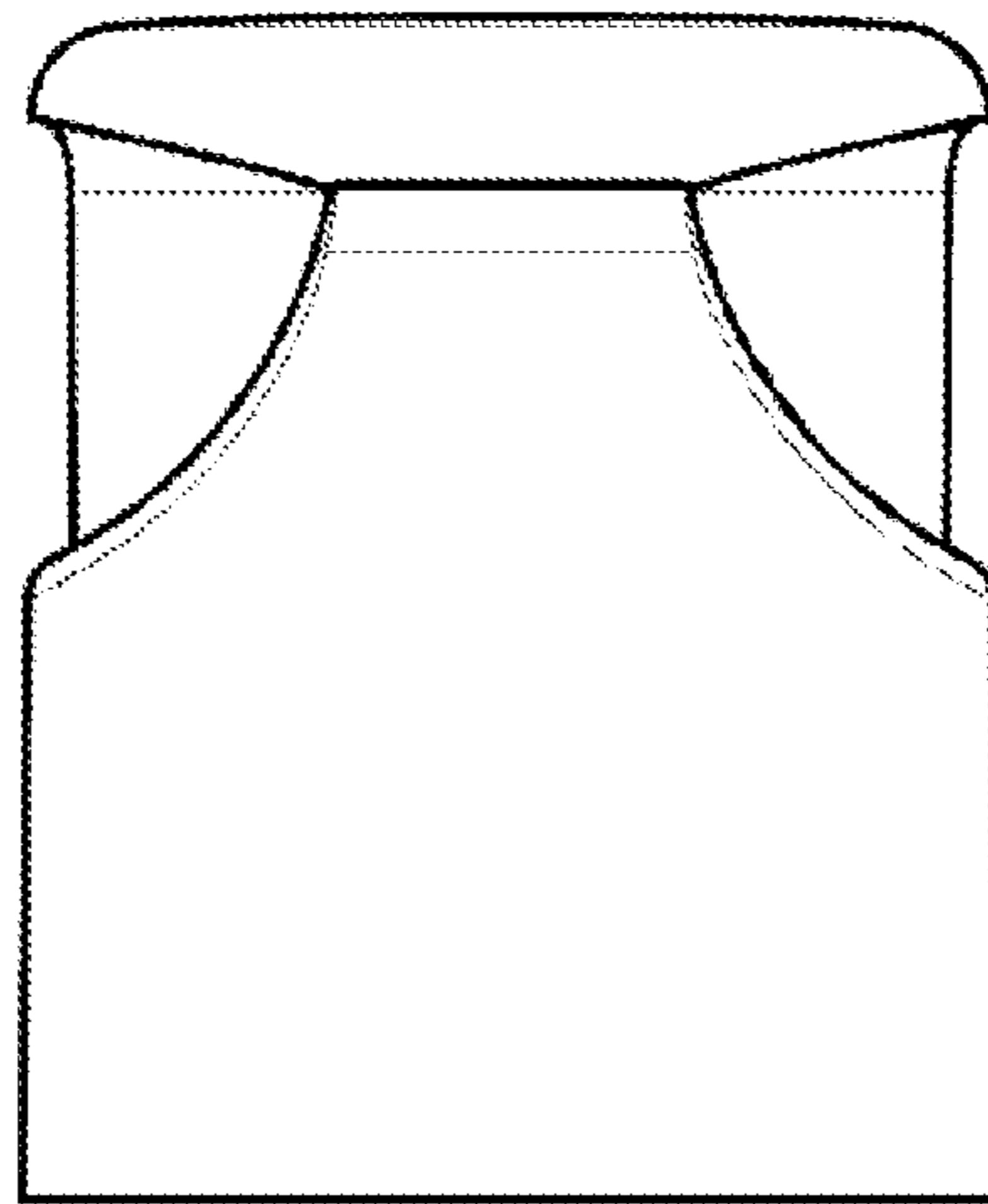


FIG.6

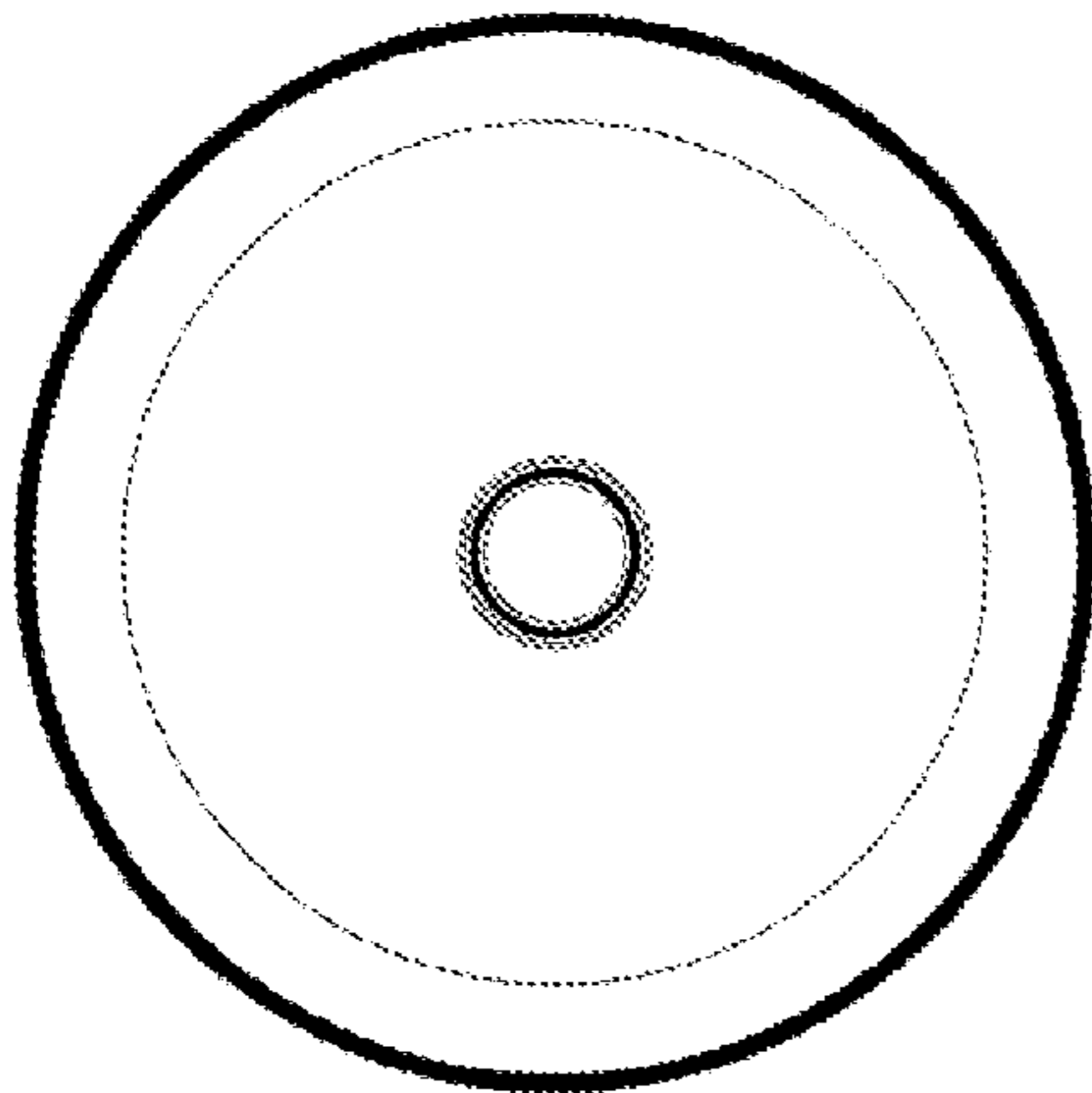


FIG.7

