



US00D707124S

(12) **United States Design Patent**
Blain et al.

(10) **Patent No.:** **US D707,124 S**
(45) **Date of Patent:** **** Jun. 17, 2014**

(54) **BOTTLE CAP**

4,390,432 A 6/1983 Takeguchi et al.
4,416,854 A 11/1983 Nielsen
4,559,478 A 12/1985 Fuller et al.

(75) Inventors: **Christopher C. Blain**, Sausalito, CA
(US); **Derek Gavin Sullivan**, Oakland,
CA (US)

(Continued)

(73) Assignee: **CamelBak Products, LLC**, Petaluma,
CA (US)

FOREIGN PATENT DOCUMENTS

AU 199859637 B2 1/2001
CA 2279860 7/2007

(**) Term: **14 Years**

(Continued)

(21) Appl. No.: **29/417,283**

OTHER PUBLICATIONS

(22) Filed: **Apr. 2, 2012**

All Clear Bottle by CamelBak dated Jul. 27, 2012. found online [Jan. 24, 2014] http://shop.camelbak.com/all-clear-bottle/d/1208_cl_1533#pr-header-back-to-top-link.*

(51) **LOC (10) Cl.** **09-07**

(Continued)

(52) **U.S. Cl.**
USPC **D9/443**

(58) **Field of Classification Search**
USPC D7/629, 622; D9/435, 436, 443, 447,
D9/516, 523, 527-531; 215/200, 235, 236,
215/252, 254, 329, 355-364; 229/906.1
See application file for complete search history.

Primary Examiner — Robert M Spear

Assistant Examiner — Marissa Cash

(74) *Attorney, Agent, or Firm* — DASCENZO Intellectual
Property Law, P.C.

(56) **References Cited**

(57) **CLAIM**

We claim the ornamental design for a bottle cap, as shown and
described.

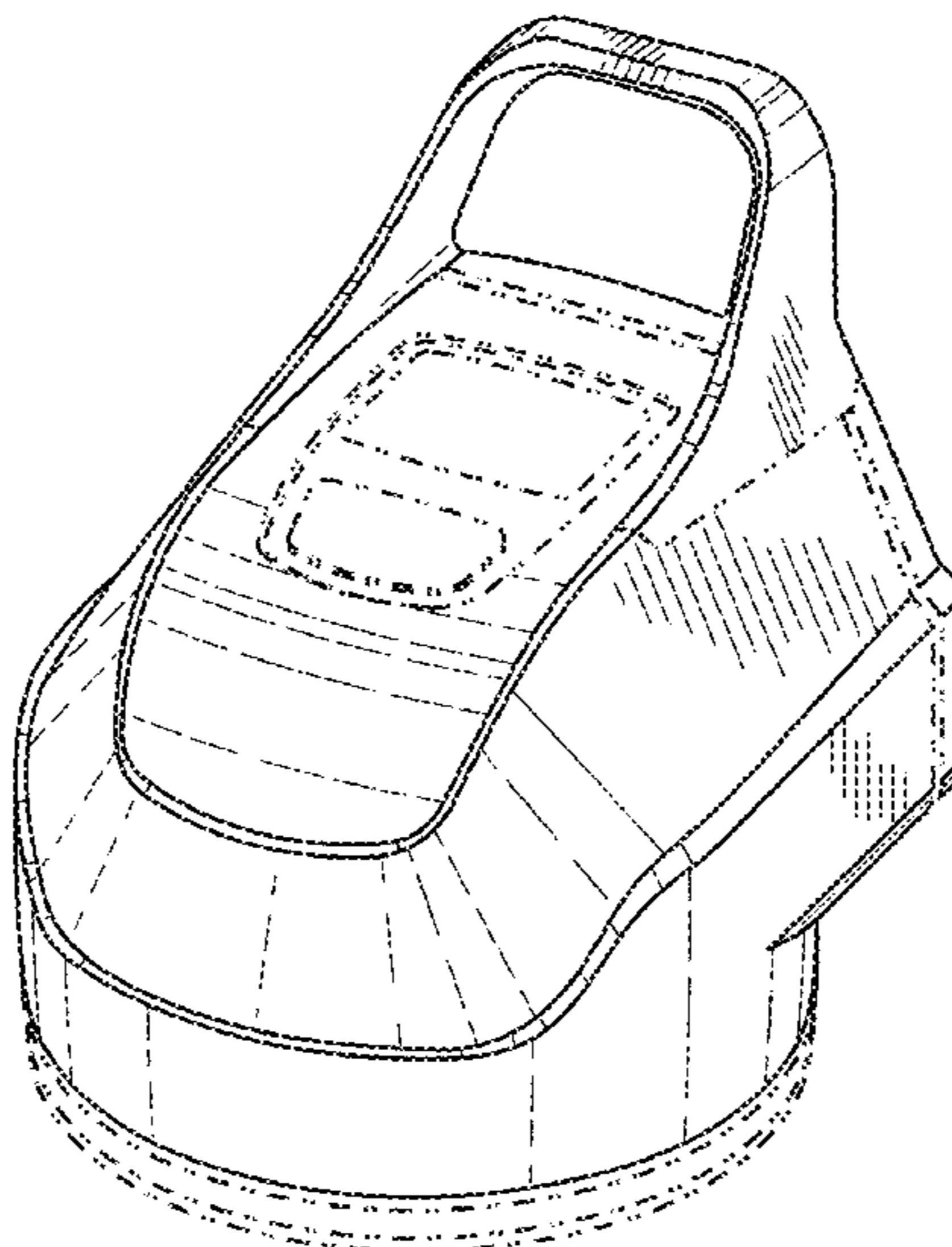
U.S. PATENT DOCUMENTS

DESCRIPTION

1,190,609 A	7/1916	Von Recklinghausen
1,898,365 A	2/1933	Harding
1,965,947 A	7/1934	Prouty
2,470,806 A	5/1949	Del Cueto
2,669,661 A	2/1954	Riddiford et al.
3,500,041 A	3/1970	Kassing
3,843,521 A	10/1974	Zeff
3,906,236 A	9/1975	Callahan
3,970,856 A	7/1976	Mahaffey et al.
4,066,551 A	1/1978	Stern
4,101,777 A	7/1978	Reid
4,184,076 A	1/1980	Kosnoff
4,274,970 A	6/1981	Beitzel
4,276,256 A	6/1981	Karamian
4,296,328 A	10/1981	Regan

FIG. 1 is a top isometric view of a bottle cap showing the new design.
FIG. 2 is a front view of the new design.
FIG. 3 is a rear view of the new design.
FIG. 4 is a left side view of the new design, with the right side view being a mirror image thereof.
FIG. 5 is a top view of the new design; and,
FIG. 6 is a bottom view of the new design.
In the drawings, the broken lines depict environmental subject matter only and form no part of the claimed design.

1 Claim, 3 Drawing Sheets



(56)

References Cited

U.S. PATENT DOCUMENTS

4,752,401 A 6/1988 Bodenstein
 4,755,292 A 7/1988 Merriam
 4,762,613 A 8/1988 Snowball
 4,790,946 A 12/1988 Jansen
 4,849,100 A 7/1989 Papandrea
 4,857,204 A 8/1989 Joklik
 4,902,411 A 2/1990 Lin
 4,912,375 A 3/1990 Deglon et al.
 4,971,687 A 11/1990 Anderson
 4,981,651 A 1/1991 Horng
 4,992,169 A 2/1991 Izumiya
 5,106,495 A 4/1992 Hughes
 5,173,269 A 12/1992 Mon et al.
 5,208,461 A 5/1993 Tipton
 5,266,215 A 11/1993 Engelhard
 5,393,419 A 2/1995 Tiede et al.
 5,484,538 A 1/1996 Woodward
 5,597,482 A 1/1997 Melyon
 5,628,895 A 5/1997 Zucholl
 5,845,504 A 12/1998 LeBleu
 5,900,212 A 5/1999 Maiden et al.
 5,919,422 A 7/1999 Yamanaka et al.
 6,042,720 A 3/2000 Reber et al.
 6,110,424 A 8/2000 Maiden et al.
 6,144,175 A 11/2000 Parra
 6,264,836 B1 7/2001 Lantis
 6,436,299 B1 8/2002 Baarman et al.
 6,514,405 B1 2/2003 Lifschitz
 6,579,495 B1 6/2003 Maiden
 6,589,490 B1 7/2003 Parra
 6,764,888 B2 7/2004 Khan et al.
 6,767,453 B2 7/2004 Lifschitz
 6,861,652 B2 3/2005 Wismeth
 6,943,377 B2 9/2005 Gaska et al.
 7,002,161 B2 2/2006 Greene
 7,081,225 B1 7/2006 Hollander
 7,306,716 B2 12/2007 Baarman
 7,390,417 B2 6/2008 Kuhlmann et al.
 D586,184 S * 2/2009 Miller et al. D7/511
 D592,913 S * 5/2009 Pinelli et al. D7/608
 7,533,783 B2 5/2009 Choi et al.
 7,550,089 B2 6/2009 Kuhlmann et al.
 7,641,790 B2 1/2010 Maiden
 D613,110 S * 4/2010 Lane et al. D7/392.1
 7,713,483 B2 5/2010 Maiden
 7,741,806 B2 6/2010 Kuhlmann et al.
 D621,257 S * 8/2010 Gullickson et al. D9/443
 D626,837 S * 11/2010 Meyers et al. D9/443
 D634,161 S * 3/2011 Roth et al. D7/510
 D635,457 S * 4/2011 Lane D9/503
 D652,256 S * 1/2012 Eyal D7/510
 D657,618 S * 4/2012 Wahl D7/392.1
 D663,209 S * 7/2012 Maas et al. D7/510
 D669,310 S * 10/2012 Barreto et al. D7/510
 D674,242 S * 1/2013 Eyal D7/510
 D696,551 S * 12/2013 Meyers et al. D7/392.1
 2005/0118054 A1 6/2005 Lentz et al.
 2005/0189290 A1 9/2005 Maiden
 2006/0011526 A1 1/2006 Baarman et al.
 2008/0237233 A1 10/2008 Choi et al.
 2009/0205972 A1 8/2009 Kuhlmann et al.
 2010/0044582 A1 2/2010 Cooper et al.
 2011/0174993 A1 7/2011 Blain

FOREIGN PATENT DOCUMENTS

CN 1113040 C 7/2003
 DE 42 28 860 A1 3/1994
 DE 199 11 443 A1 9/2000
 DE 698 34 105 T2 1/2007
 EP 0 966 401 12/1999
 ES 2262222 11/2006
 GB 2301272 A 11/1996
 JP 02-003892 1/1990

JP 02-006892 1/1990
 JP 08-033887 2/1996
 JP 08-066678 3/1996
 JP 08-117742 5/1996
 JP 11-155932 6/1999
 JP 2001-347265 12/2001
 TR 1999 01784 T2 10/1999
 WO WO 97/38272 10/1997
 WO WO 98/32700 7/1998
 WO WO 00/09449 2/2000
 WO WO 02/12127 2/2002
 WO WO 2004/028290 4/2004
 WO WO 2005/090241 9/2005

OTHER PUBLICATIONS

EyeDrop Water Filter by CamelBak dated Jul. 22, 2010. found online [Jan. 24, 2014] http://www.backpackinglight.com/cgi-bin/backpackinglight/orism09_camelback_UV.html.*

All Clear UV Water Bottle by CamelBack dated Feb. 14, 2012. found online [Jan. 24, 2014] <http://www.geekalerts.com/camelbak-all-clear-uv-water-bottle>.*

English-language abstract of Japanese Patent Publication No. 02-003892, downloaded on or about Nov. 18, 2010 from www.freepatentsonline.com.

English-language abstract of Japanese Patent Publication No. 02-006892, Japan Patent Office, Aug. 11, 2008.

English-language abstract of German Patent No. 42 28 860 A1, downloaded on or about Nov. 18, 2010 from www.espacenet.com.

English-language abstract of Japanese Patent Publication No. 08-033887, Japan Patent Office, Aug. 2, 2005.

English machine translation of Japanese Patent Publication No. 08-033887, prepared by Dan Matthews, Aug. 2, 2005.

English-language abstract of Japanese Patent Publication No. 08-066678, Japan Patent Office, Jul. 1, 2008.

English machine translation of Japanese Patent Publication No. 08-066678, prepared by Dan Matthews, Aug. 2, 2005.

English-language abstract of Japanese Patent Publication No. 08-117742, Japan Patent Office, Jun. 23, 2005.

English machine translation of Japanese Patent Publication No. 08-117742, Japan Patent Office, Jun. 27, 2005.

English-language abstract of Japanese Patent Publication No. 11-155932, downloaded on or about Nov. 18, 2010 from www.espace.net.

English-language abstract of U.S. Patent No. 6,110,424, which corresponds to Turkish Patent Publication No. 1999 01784 T2, downloaded on or about Nov. 18, 2010 from www.espace.net.

English-language abstract of German Patent No. 19911443, U.S. Patent and Trademark Office, Nov. 16, 2007.

English machine translation of German Patent No. 19911443, European Patent Office, Dec. 18, 2007.

English-language abstract of Japanese Patent Publication No. 2001-347265, Japan Patent Office, Nov. 20, 2007.

English-language abstract of Japanese Patent Publication No. 2001-347265, U.S. Patent and Trademark Office, Nov. 16, 2007.

English machine translation of Japanese Patent Publication No. 2001-347265, Japan Patent Office, Nov. 17, 2007.

English-language abstract of U.S. Patent No. 6,110,424, which corresponds to Chinese Patent Publication No. 1113040C, downloaded on or about Nov. 18, 2010 from www.espace.net.

English-language abstract of U.S. Patent No. 6,110,424, which corresponds to Spanish Patent Publication No. 2262222, downloaded on or about Nov. 18, 2010 from www.espace.net.

English-language abstract of U.S. Patent No. 6,110,424, which corresponds to German Patent Publication No. 698 34 105 T2, downloaded on or about Nov. 18, 2010 from www.espace.net.

American Air & Water web page entitled "UV Water Purifiers," downloaded on or about Nov. 6, 2007 from www.americanairandwater.com.

Camping Survival web page entitled "Steripen Ultraviolet Water Purifier," downloaded on or about Nov. 6, 2007 from www.campingsurvival.com.

(56)

References Cited

OTHER PUBLICATIONS

Environmental Doctor Company web page entitled "Ultra Violet (UV) Sterilization for Water," downloaded on or about Nov. 6, 2007 from www.envirodoc.com.

"Finally, Germicidal UV LEDs for the Rest of Us!" LED Development Blog, Nov. 29, 2007, downloaded on or about Jul. 10, 2008 from <http://leddev.wordpress.com/?s=UVC>.

Gaska, R., et al., "Solid-State Ultraviolet Light Sources," IEEE Sensors Council Newsletter No. 6, Jan. 2008, downloaded on or about Aug. 8, 2008 from www.ewh.ieee.org/tc/sensors/Newsletters/Number6/Newsletter6.htm.

"Light-emitting diode," downloaded on or about Oct. 30, 2007 from www.wikipedia.com.

McDonald, Jo Ann, "Deep UV LEDs Reach Major Milestone in Water Purification," CompoundSemi News, Mar. 15, 2005, downloaded on or about Oct. 31, 2007 from www.SolidStateLighting.net. PlexiGlas Sunactive® XT Clear 24770 Product Description, Degussa AG, Apr. 2002.

Sensor Electronic Technology, Inc. list of 2005-2006 articles, downloaded on or about Oct. 31, 2007 from www.s-et.com.

"SET seeks deep-UV LED market penetration," Jan. 7, 2005, downloaded on or about Oct. 31, 2007 from www.compoundsemiconductor.net.

"SET wins contracts for AIN research," Compound Semiconductor, Mar. 2004, downloaded on or about Oct. 31, 2007 from www.compoundsemiconductor.net.

"UV Rays Used to Purify Water," New Products & Services, The Nikkei Weekly, Feb. 7, 1994.

* cited by examiner

Fig. 1

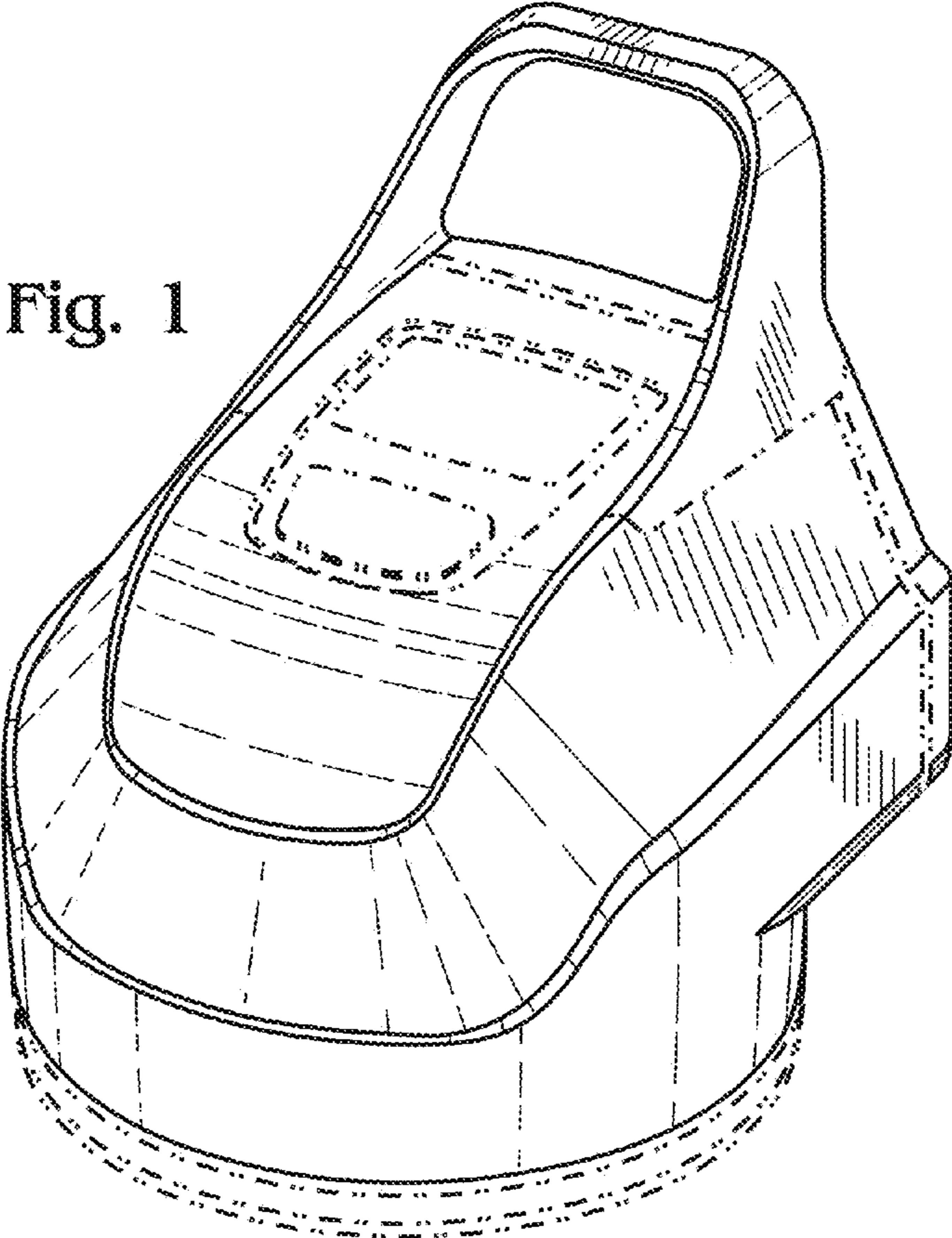


Fig. 2

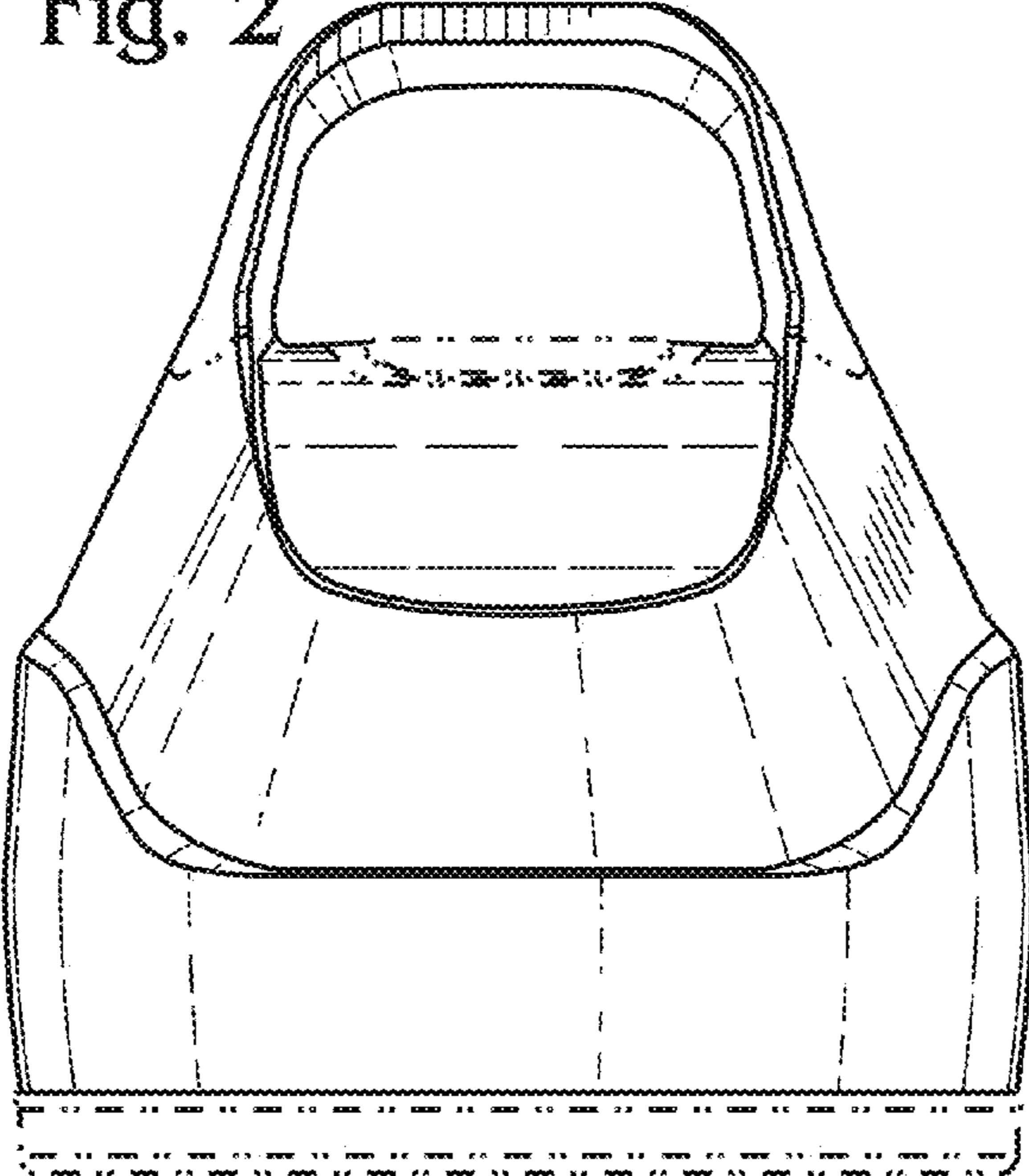


Fig. 3

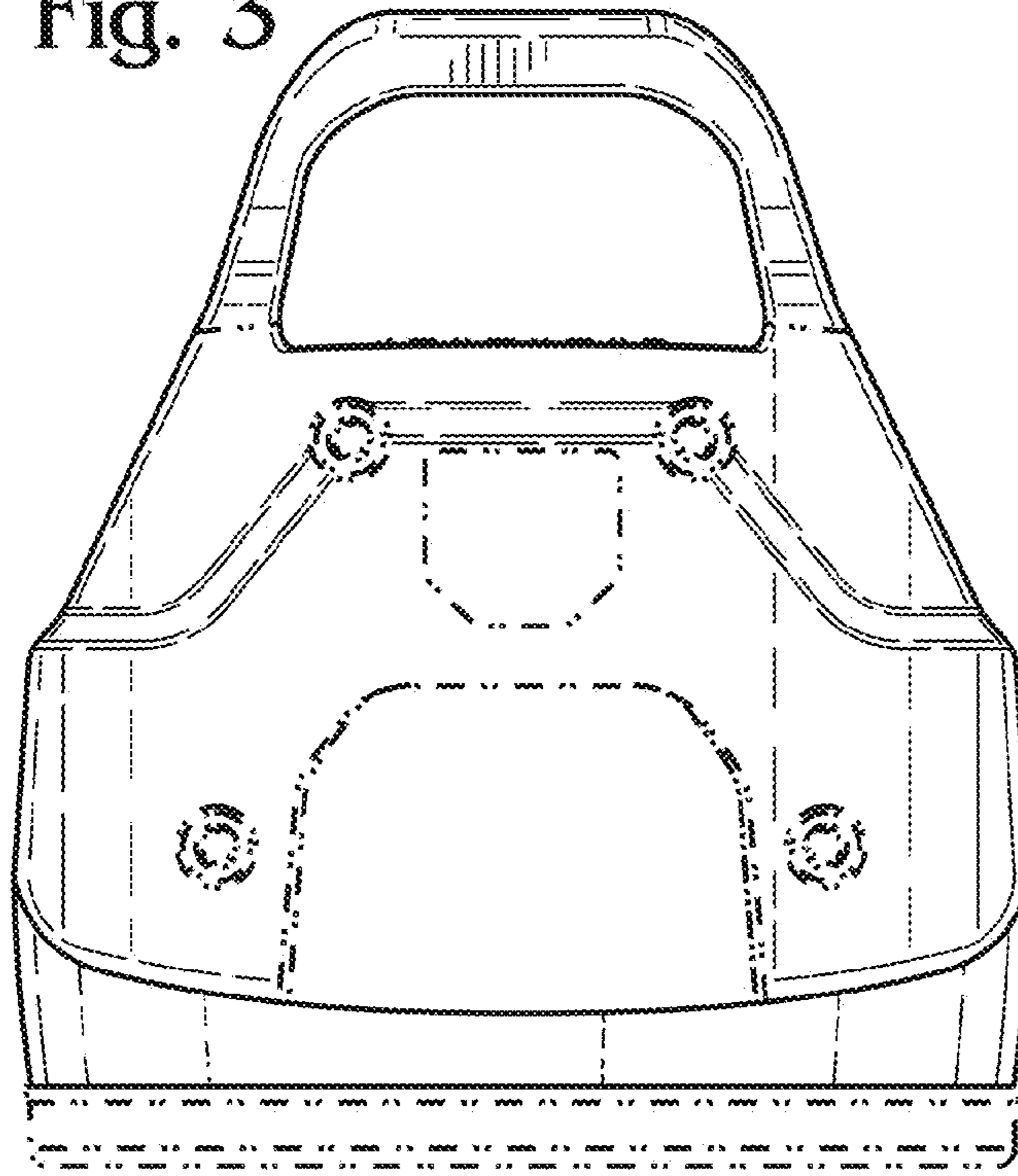


Fig. 4

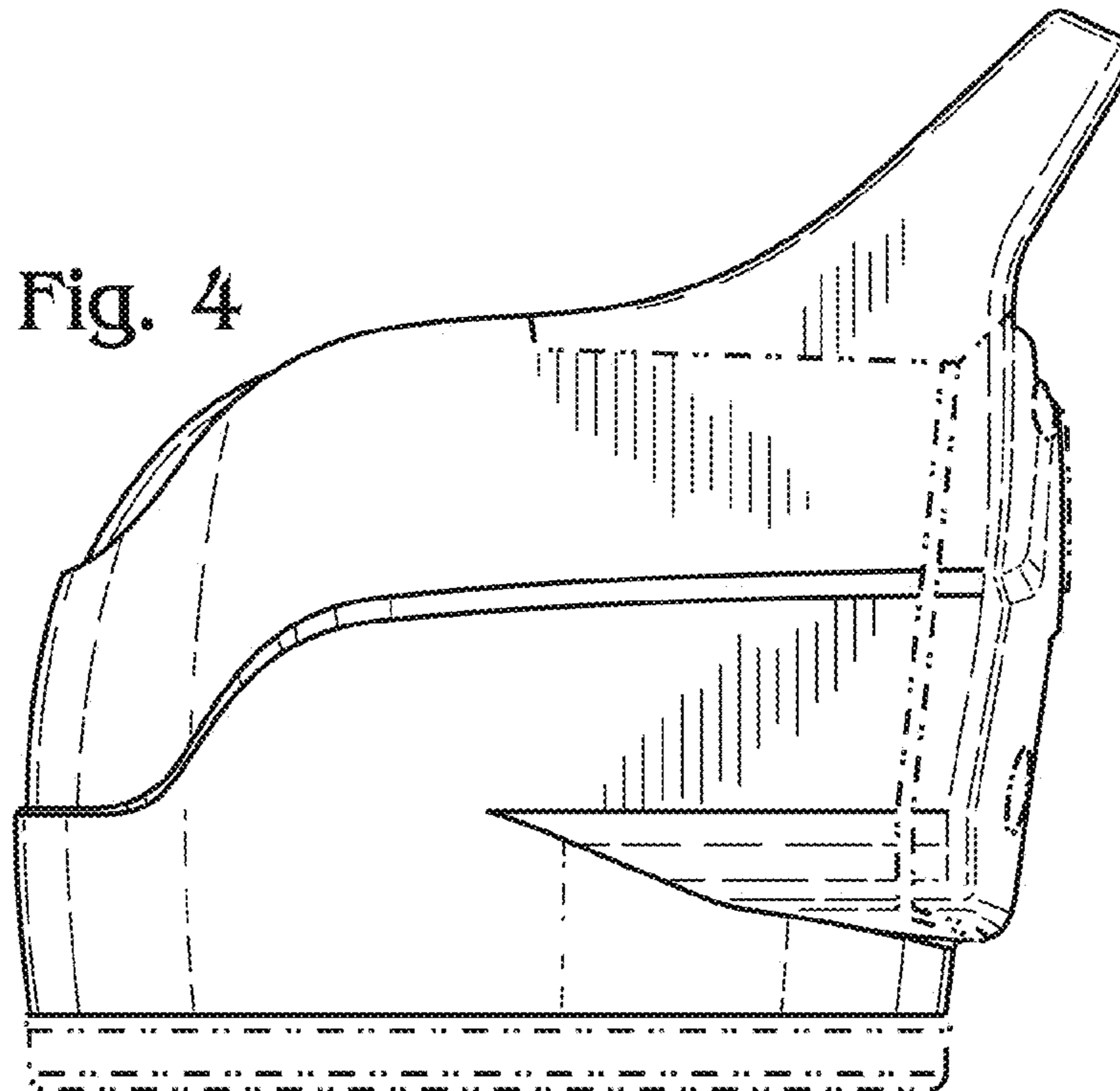


Fig. 5

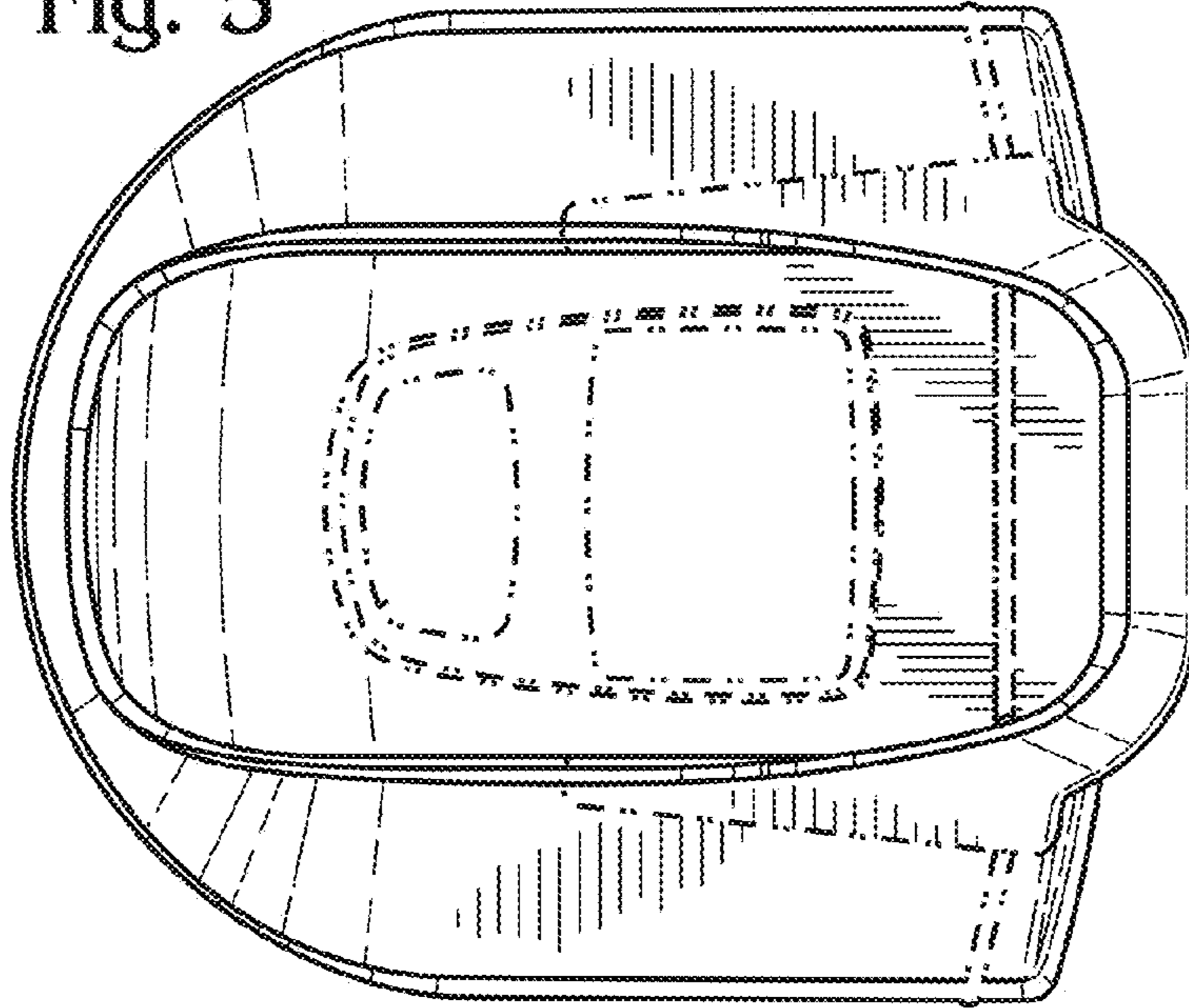


Fig. 6

