

US00D707123S

(12) **United States Design Patent**
Marchetti et al.

(10) **Patent No.:** **US D707,123 S**
(45) **Date of Patent:** **** Jun. 17, 2014**

- (54) **BOX CLOSURE FLAP**
- (71) Applicant: **Amazon Technologies, Inc.**, Reno, NV (US)
- (72) Inventors: **Paul Clayton Marchetti**, Campbell, CA (US); **Paul Grady Russell**, Campbell, CA (US); **Joselito Crespo**, Burlingame, CA (US); **Jack Liu**, Shenzhen (CN); **Karl Anton Bakker**, San Mateo, CA (US)
- (73) Assignee: **Amazon Technologies, Inc.**, Reno, NV (US)
- (**) Term: **14 Years**
- (21) Appl. No.: **29/448,782**
- (22) Filed: **Mar. 13, 2013**
- (51) **LOC (10) Cl.** **09-07**
- (52) **U.S. Cl.**
USPC **D9/434**
- (58) **Field of Classification Search**
USPC D19/3; D9/414, 416, 420, 423, D9/430-434, 709, 600; 229/121, 122, 145, 229/147, 151, 154, 227, 240, 241, 924, 926, 229/208, 228, 925; 206/324
See application file for complete search history.

(56) **References Cited**

U.S. PATENT DOCUMENTS

2,218,509	A *	10/1940	Goodyear	229/228
2,354,543	A *	7/1944	Ratcliff	229/102
3,246,829	A	4/1966	Sexton		
3,353,740	A *	11/1967	Outwater	229/227
3,410,476	A *	11/1968	Buttery	229/208
3,520,466	A	7/1970	Vokes		
3,767,188	A	10/1973	Rosenberg, Jr. et al.		
3,833,165	A *	9/1974	Hoiles	229/145
D310,784	S *	9/1990	Forbes, Jr.	D9/416
D310,965	S *	10/1990	Capuano	D9/416
D352,897	S *	11/1994	Jackson	D9/431
5,903,625	A	5/1999	May		

5,951,652	A	9/1999	Ingrassia, Jr. et al.
6,015,508	A	1/2000	Ohnishi et al.
6,018,619	A	1/2000	Allard et al.
6,035,332	A	3/2000	Ingrassia, Jr. et al.
6,076,166	A	6/2000	Moshfeghi et al.

(Continued)

OTHER PUBLICATIONS

Packaging Design of the Kindle Fire, Nov. 21, 2011, NOTCOT, <URL: * ><http://www.notcot.com/archives/2011/11/packaging-design-of-the-kindle.php>< >.*
 Brian Heater, Amazon Kindle Touch Review, Nov. 14, 2011, Engadget, <URL: * ><http://www.engadget.com/2011/11/14/kindle-touch-review>< >.*

(Continued)

Primary Examiner — Susan Bennett Hattan
Assistant Examiner — Brett Miller

(74) *Attorney, Agent, or Firm* — Lee & Hayes, PLLC

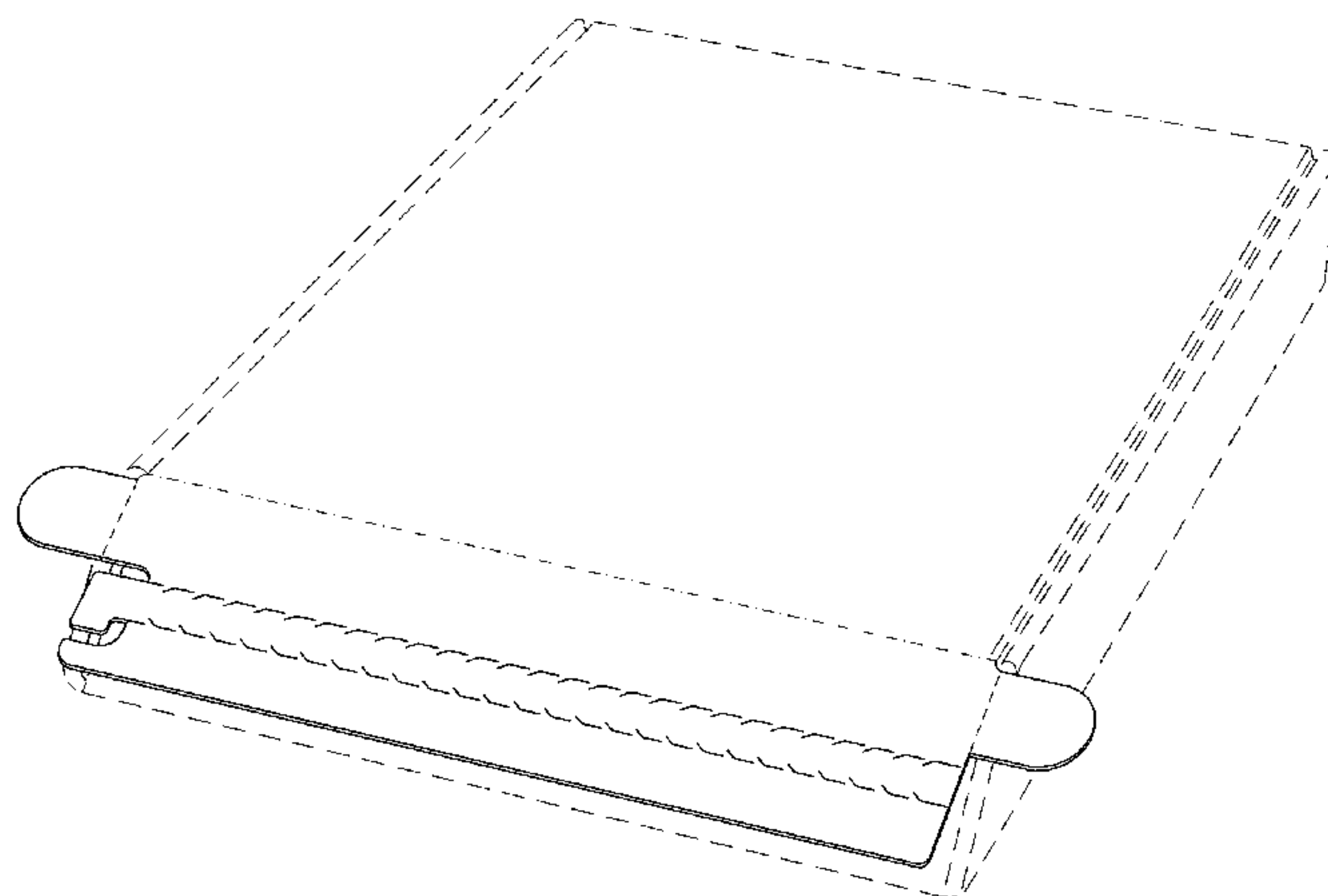
(57) **CLAIM**

The ornamental design for a box closure flap, as shown and described.

DESCRIPTION

FIG. 1 is a perspective view of a box closure flap, showing the closure flap partially folded condition; and, FIG. 2 is a top plan view of the box closure flap in a flattened condition, the bottom plan view being a mirror image of the top plan view.
 The front elevation view, rear elevation view, right elevation view, and left elevation view of the box closure flap are undecorated and form no part of the claimed design.
 The broken line areas designated by the shorter dashes represent fold lines.
 The broken line areas designated by the longer dashes are directed to unclaimed portions and form no part of the claimed design.
 The broken line designated by alternating dashes and dots represents the boundary of the claimed design.

1 Claim, 2 Drawing Sheets



(56)

References Cited

U.S. PATENT DOCUMENTS

6,119,135	A	9/2000	Helfman	
6,529,952	B1	3/2003	Blumenau	
6,535,916	B1	3/2003	Nguyen	
6,538,996	B1	3/2003	West et al.	
6,734,886	B1	5/2004	Hagan et al.	
6,789,115	B1	9/2004	Singer et al.	
6,795,856	B1	9/2004	Bunch	
D506,671	S *	6/2005	Tilley et al.	D9/432
7,020,622	B1	3/2006	Messer	
D592,968	S *	5/2009	Lee et al.	D9/600
D621,188	S *	8/2010	Brock et al.	D6/515
8,025,209	B2 *	9/2011	Garner	229/241
8,141,771	B2 *	3/2012	Chen	229/236
2001/0011365	A1	8/2001	Helfman	
2002/0148887	A1	10/2002	Auclair	
2003/0164317	A1	9/2003	Fujiwara	

OTHER PUBLICATIONS

U.S. Appl. No. 29/393,185, filed May 31, 2011, Bakker et al., "Carton With Finger Scoop," 5 pages.

U.S. Appl. No. 29/393,187, filed May 31, 2011, Bakker et al., "Chamfered Carton," 5 pages.

U.S. Appl. No. 29/396,425, filed Jun. 29, 2011, Bakker et al., "Chamfered Box With Finger Scoop," 7 pages.

U.S. Appl. No. 29/396,432, filed Jun. 29, 2011, Bakker et al., "Chamfered Box," 8 pages.

www.buy.com, Aurora Crocodile Collection Letter Tray Paperboard Pink, retrived at <<<http://www.buy.com/prod/aurora-crocodile-collection-letter-tray-leather-paperboard-pink/216675513.html> [Oct. 15, 2012 9:11:46 AM], on Oct 15, 2012, pp#1.

www.officedepot.com, "See Jane Work Paperboard Letter Tray", retrived at <<<http://www.officedepot.com/a/products/672619/See-Jane-Work-Paperboard-Letter-Tray/search> RMS [Oct. 15, 2012 9:07:52 AM], pp#1.

* cited by examiner

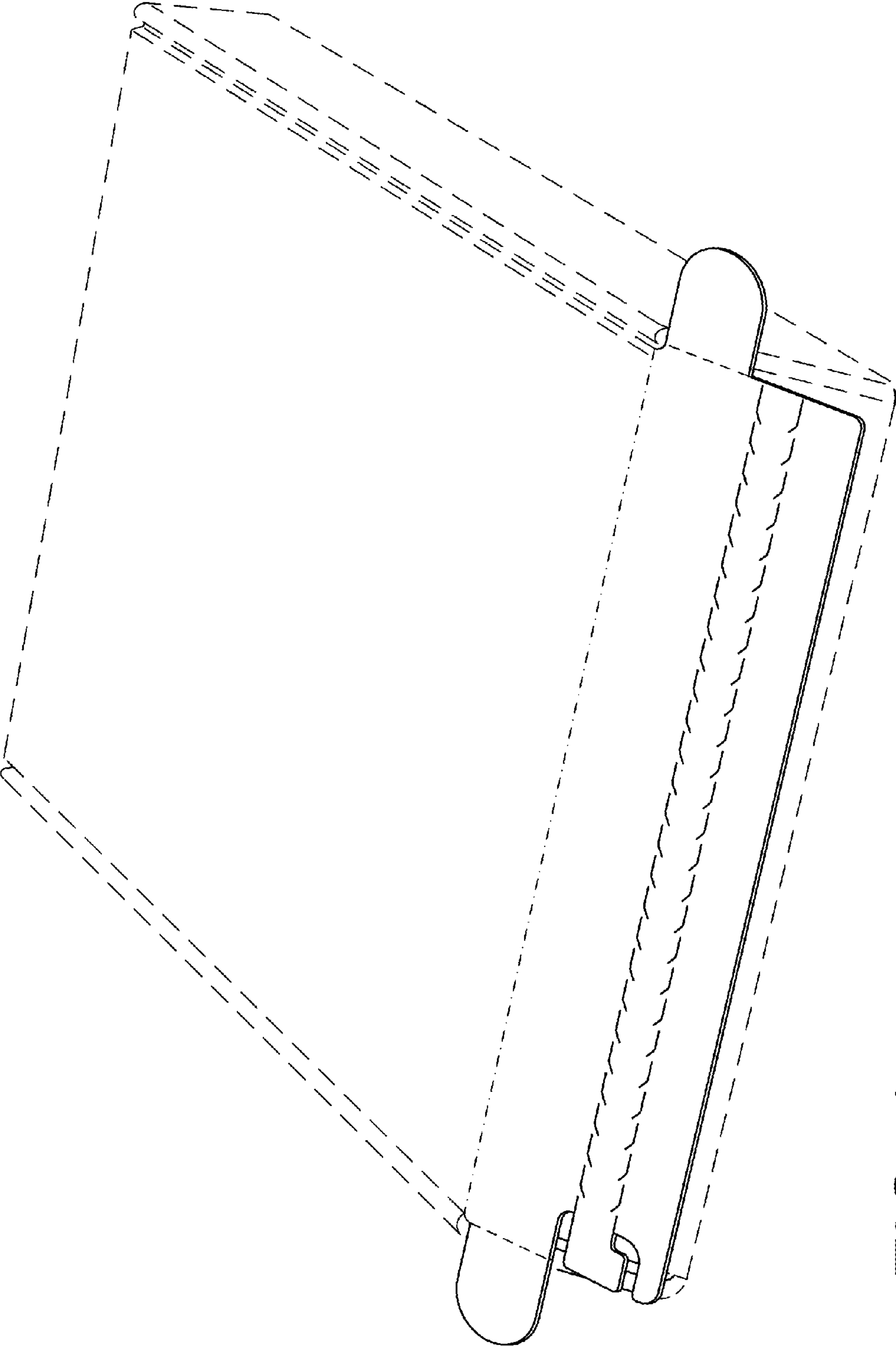


FIG. 1

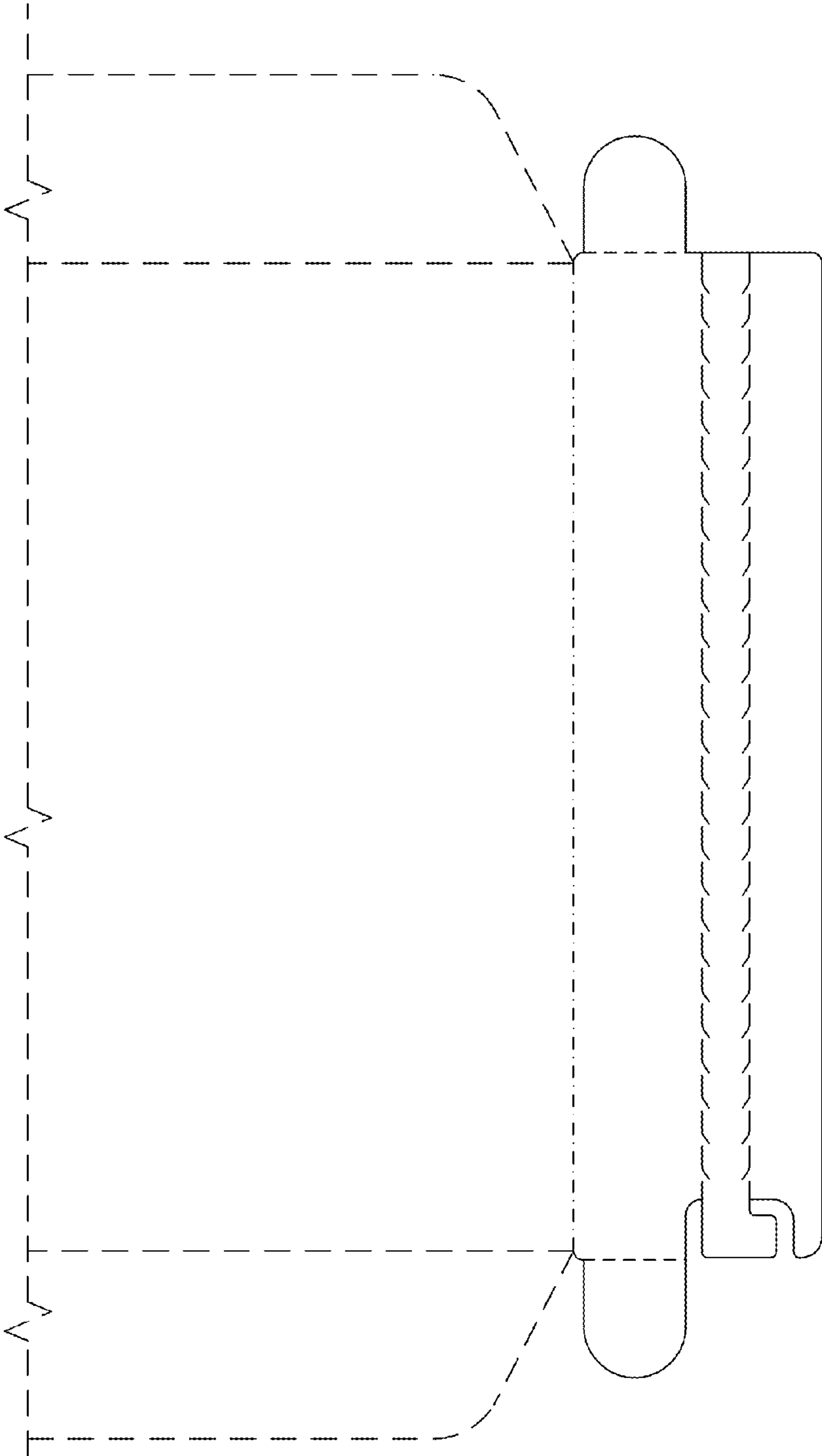


FIG. 2