



US00D707122S

(12) **United States Design Patent**  
**Merchant et al.**

(10) **Patent No.:** **US D707,122 S**  
(45) **Date of Patent:** **\*\* Jun. 17, 2014**

(54) **OVER THE COUNTER MEDICINAL CONTAINER WITH SURFACE ORNAMENTATION**

(75) Inventors: **Jennifer Marie Merchant**, Cincinnati, OH (US); **Jean Martin Campbell**, Cincinnati, OH (US); **Scott Cunningham**, Cincinnati, OH (US); **Kevin Wimmer**, Union Township, OH (US)

(73) Assignee: **The Procter & Gamble Company**, Cincinnati, OH (US)

(\*\*) Term: **14 Years**

(21) Appl. No.: **29/401,265**

(22) Filed: **Sep. 9, 2011**

(51) **LOC (10) Cl.** ..... **09-07**

(52) **U.S. Cl.**  
USPC ..... **D9/434**

(58) **Field of Classification Search**  
USPC ..... D9/748, 713, 702, 652, 600, 457, 434, D9/433, 414, 415; D20/40, 29, 28, 27, 23, D20/22, 10; 224/906; 206/784, 525, 525.1, 206/461, 457, 458

See application file for complete search history.

(56) **References Cited**

U.S. PATENT DOCUMENTS

D599,201 S *	9/2009	Seol et al.	.....	D9/432
D603,701 S *	11/2009	Seol et al.	.....	D9/432
D608,636 S *	1/2010	Seol	.....	D9/432
D612,261 S *	3/2010	Champion et al.	.....	D9/600
D636,667 S *	4/2011	Barclay et al.	.....	D9/432
D675,521 S *	2/2013	Gregory et al.	.....	D9/434
D678,764 S *	3/2013	Powers et al.	.....	D9/434

\* cited by examiner

Primary Examiner — Randall Gholson

(74) *Attorney, Agent, or Firm* — Alexandra S. Anoff

(57) **CLAIM**

The ornamental design for an over the counter medicinal container with surface ornamentation, as shown and described.

**DESCRIPTION**

The present application file contains at least one drawing executed in color. Copies of this patent or patent application publication with color drawing(s) will be provided by the Office upon request and payment of the necessary fee.

FIG. 1 is a perspective view of a first embodiment of an over the counter medicinal container with surface ornamentation embodying our new design;

FIG. 2 is a front view thereof;

FIG. 3 is a left side view thereof;

FIG. 4 is a right side view thereof;

FIG. 5 is a rear view thereof;

FIG. 6 is a top view thereof;

FIG. 7 is a bottom view thereof;

FIG. 8 is a perspective view of a second embodiment of an over the counter medicinal container with surface ornamentation embodying our new design;

FIG. 9 is a front view thereof;

FIG. 10 is a left side view thereof;

FIG. 11 is a right side view thereof;

FIG. 12 is a rear view thereof;

FIG. 13 is a top view thereof;

FIG. 14 is a bottom view thereof;

FIG. 15 is a perspective view of a third embodiment of an over the counter medicinal container with surface ornamentation embodying our new design;

FIG. 16 is a front view thereof;

FIG. 17 is a left side view thereof;

FIG. 18 is a right side view thereof;

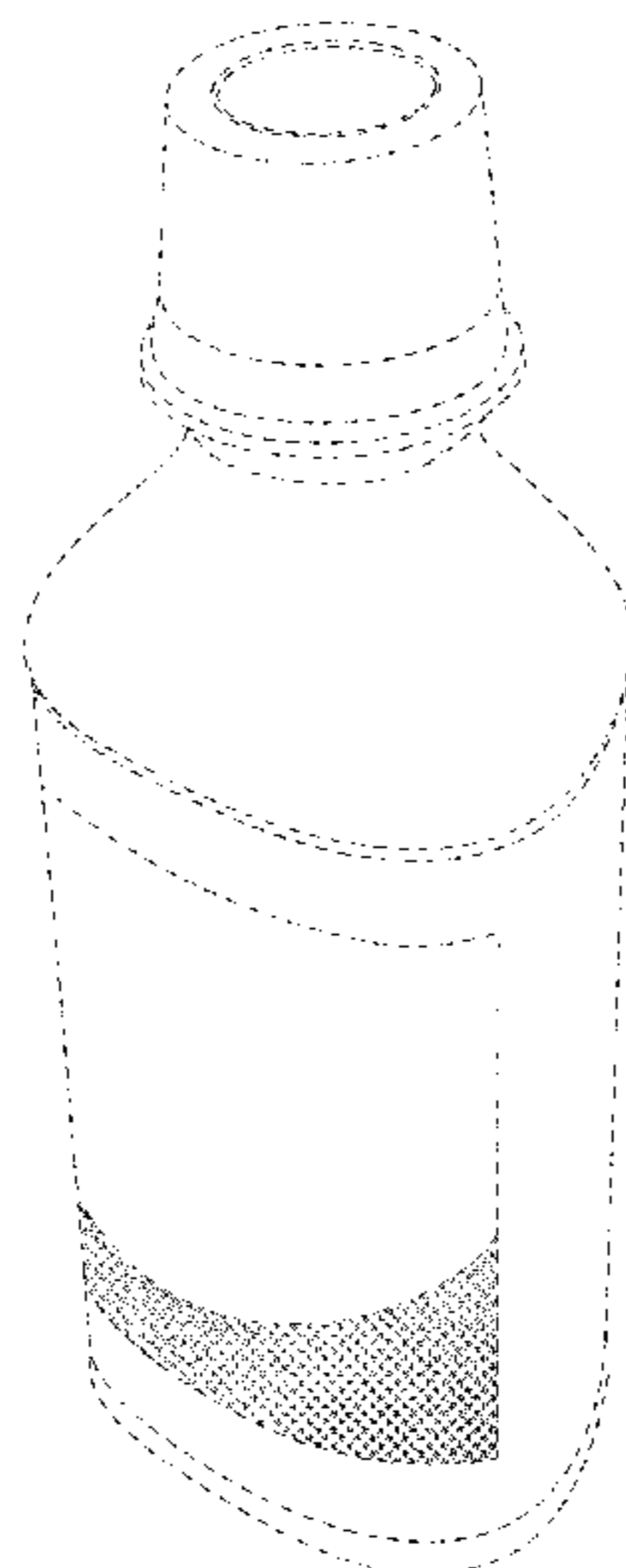
FIG. 19 is a rear view thereof;

FIG. 20 is a top view thereof; and,

FIG. 21 is a bottom view thereof.

Broken lines show unclaimed subject matter only and form no part of the claimed design. In FIGS. 1-4, the stippling represents color contrast.

**1 Claim, 9 Drawing Sheets**  
**(4 of 9 Drawing Sheet(s) Filed in Color)**



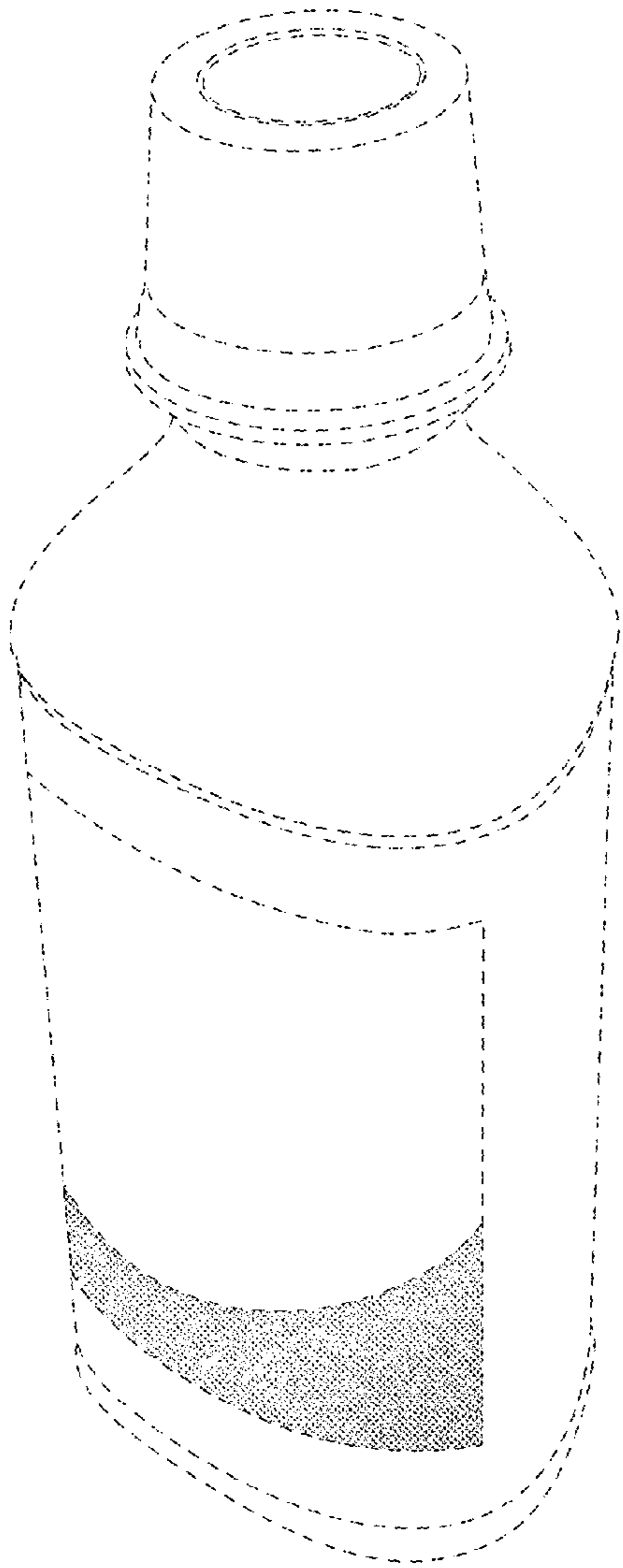


Fig. 1

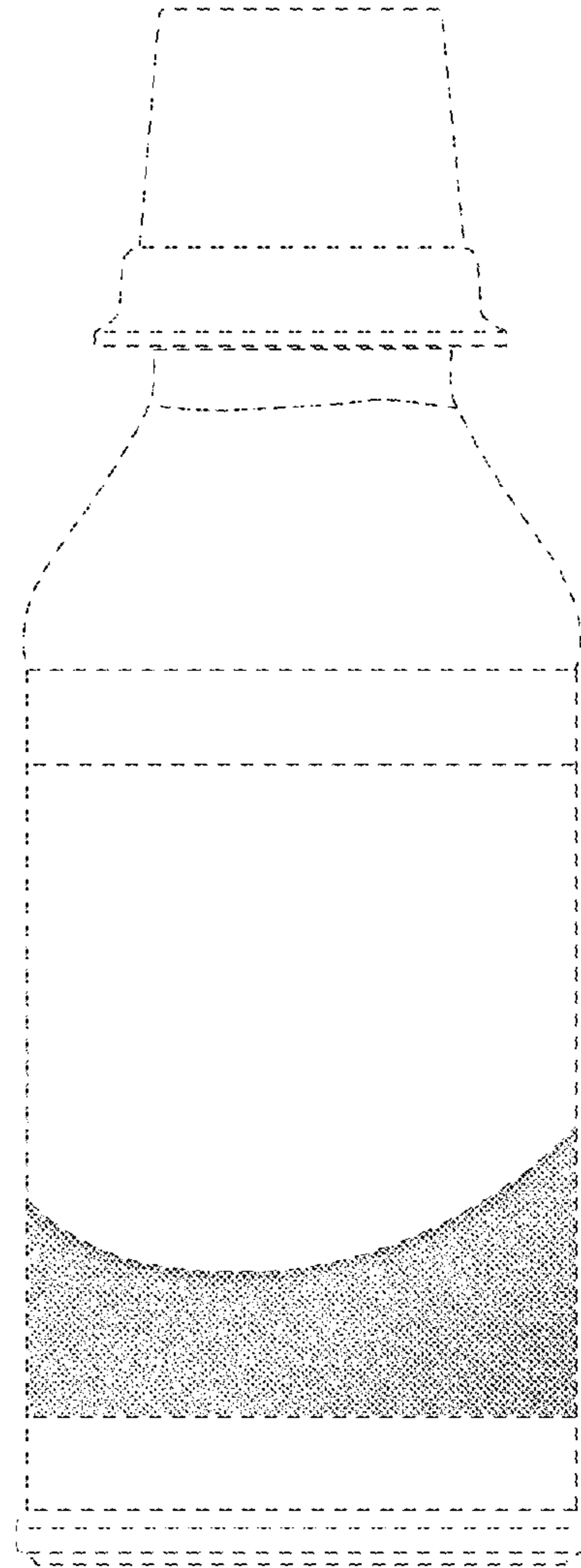


Fig. 2

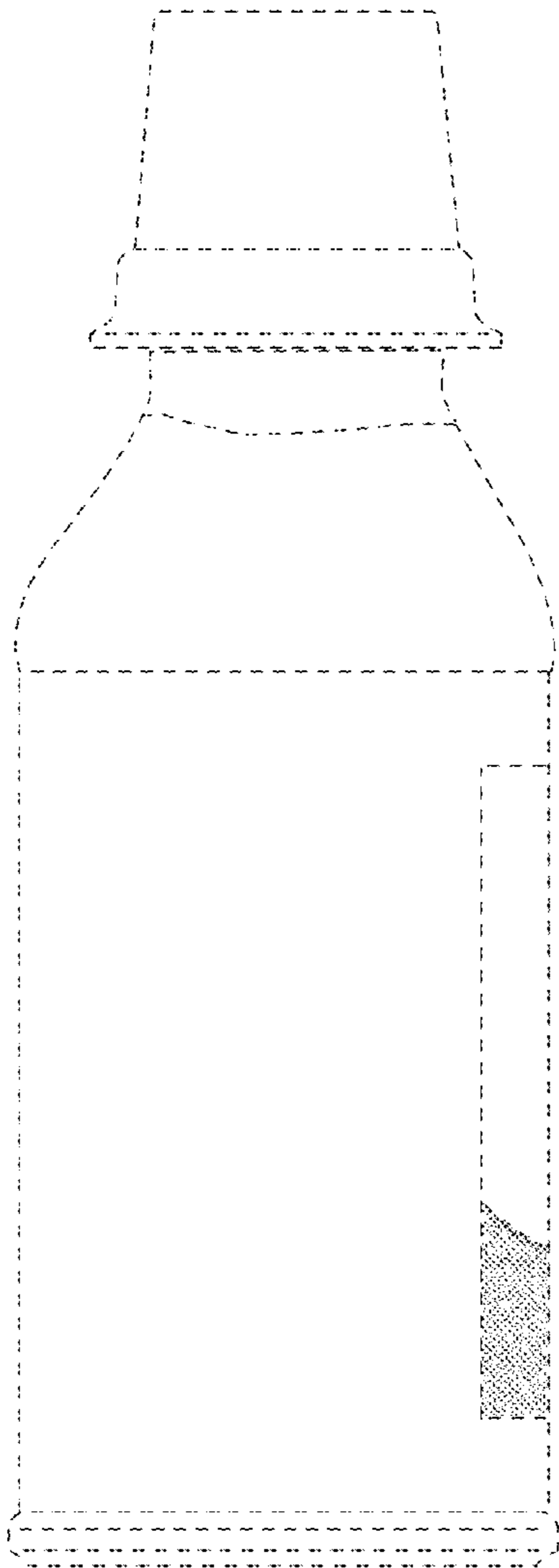


Fig. 3

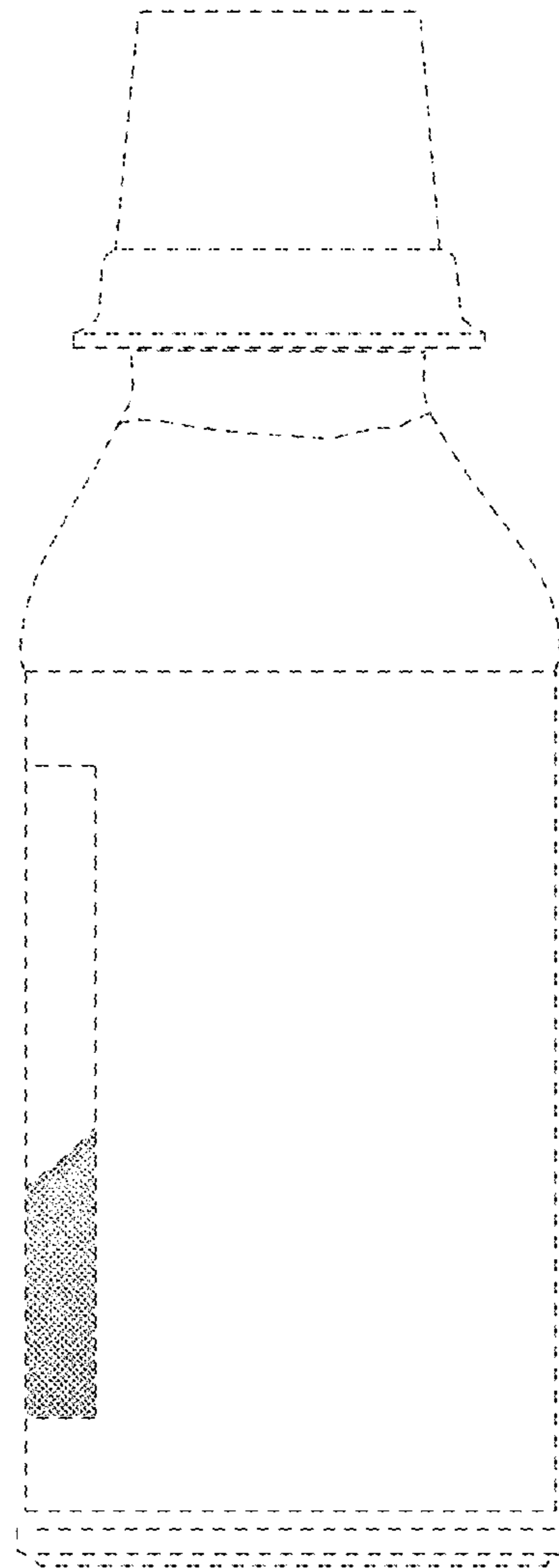


Fig. 4

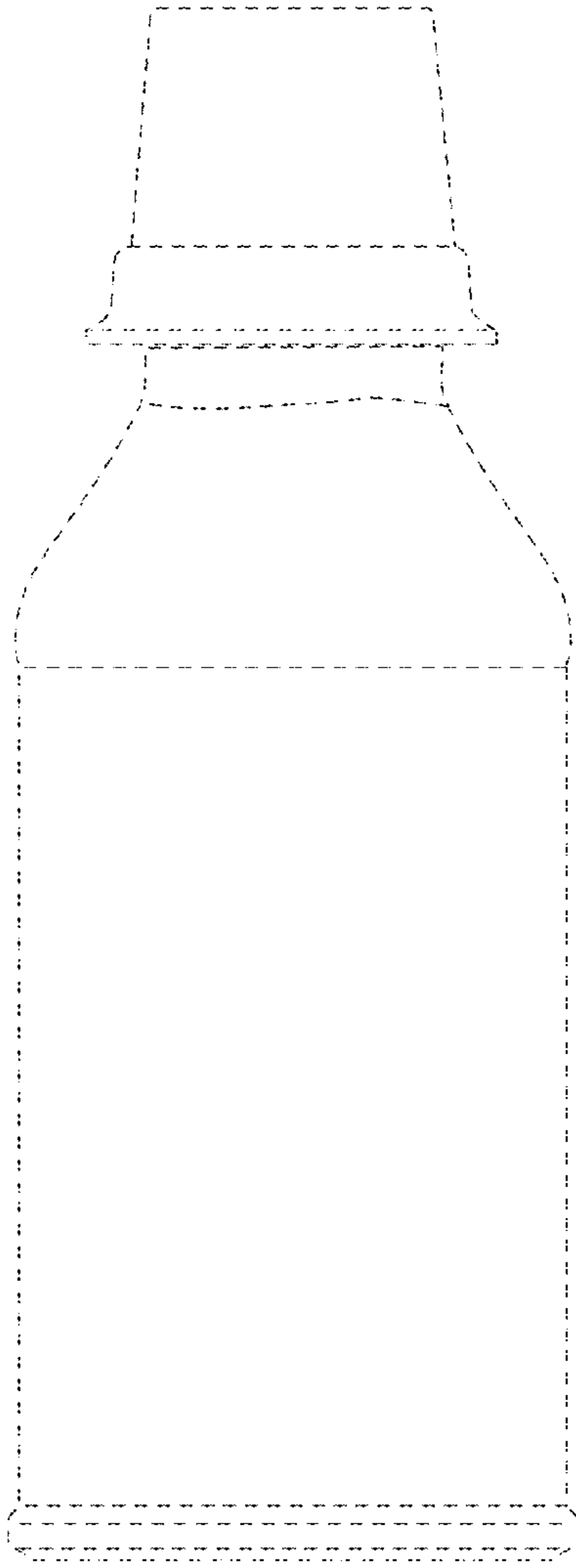


Fig. 5

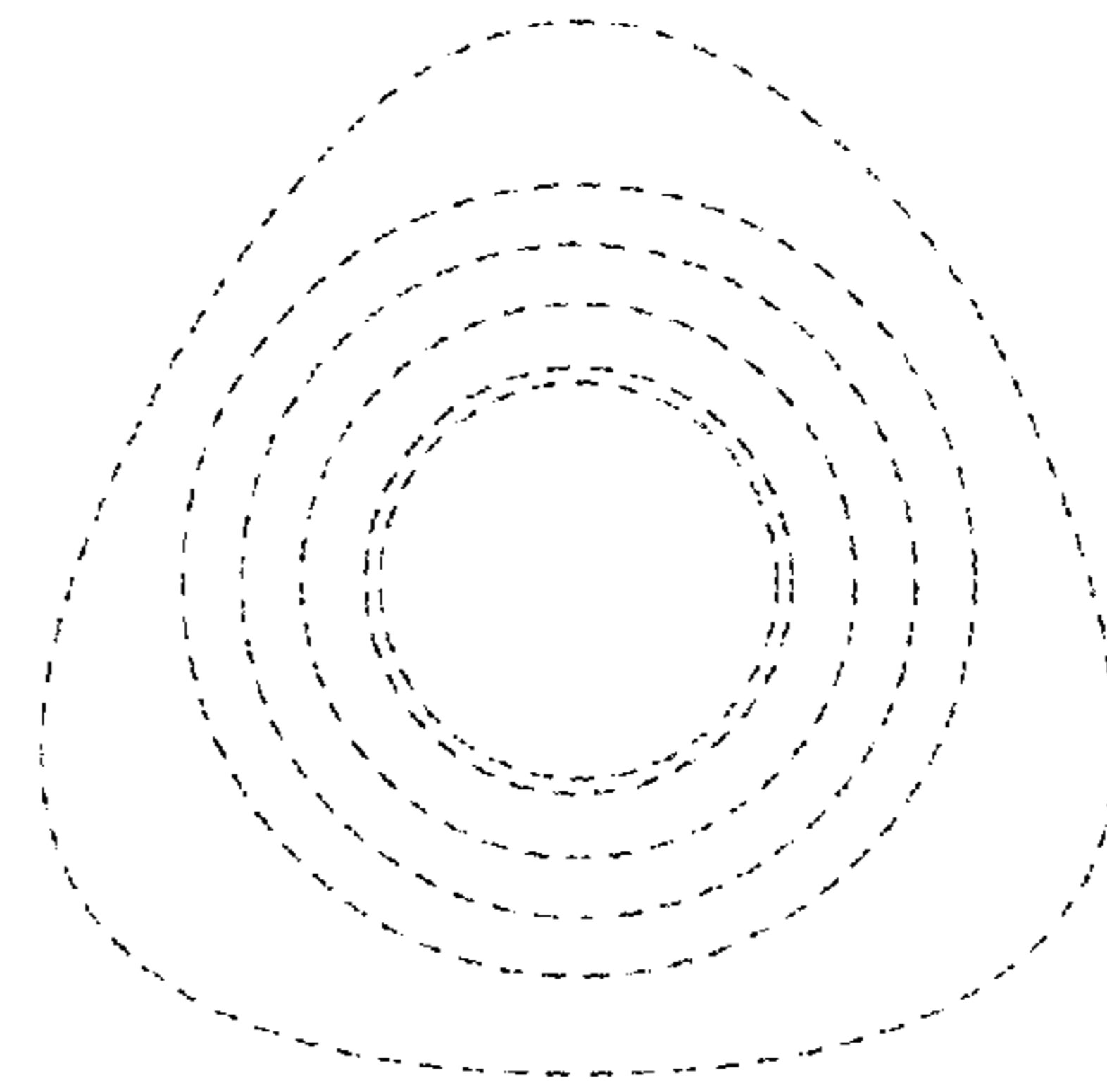


Fig. 6

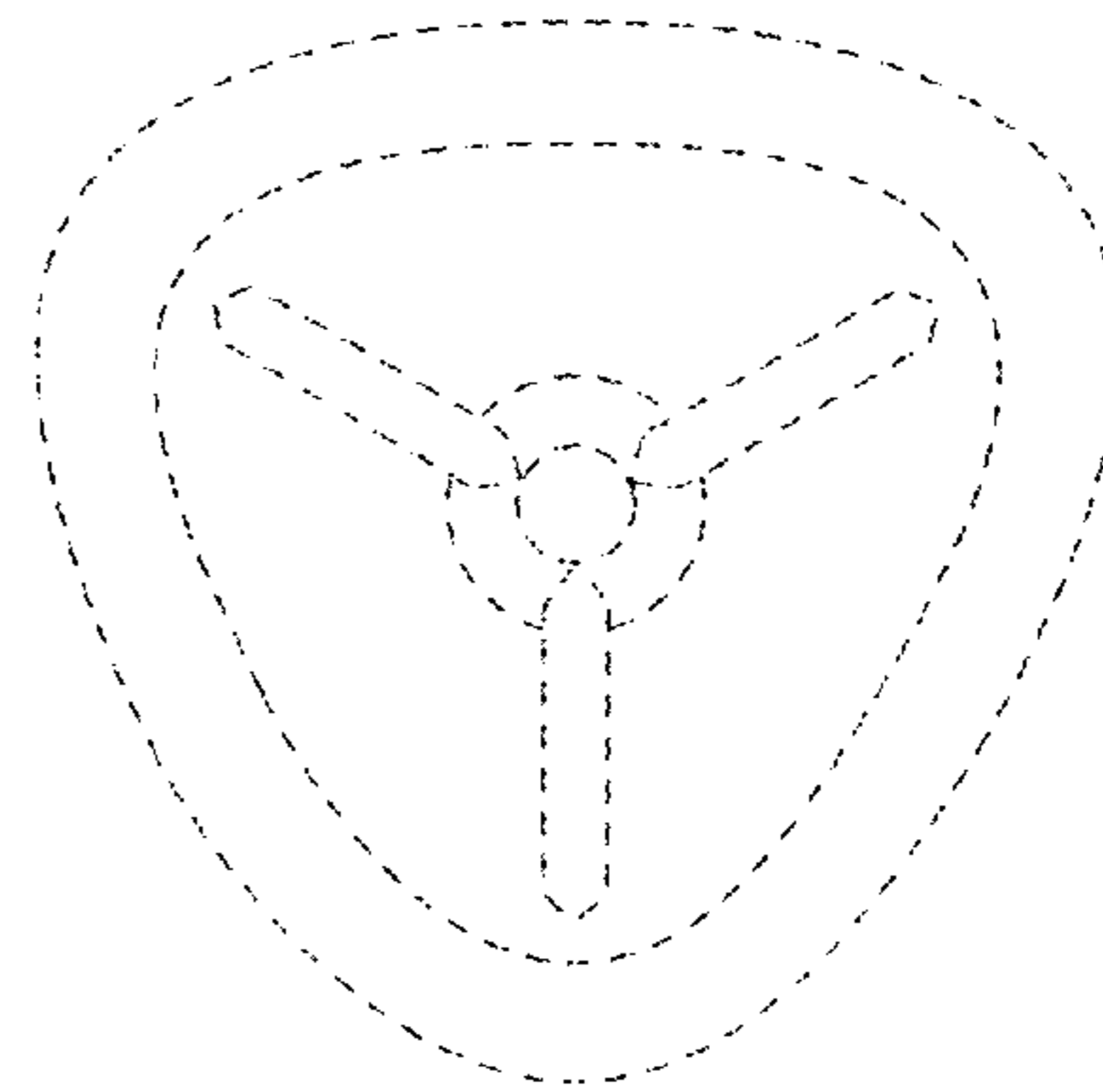


Fig. 7

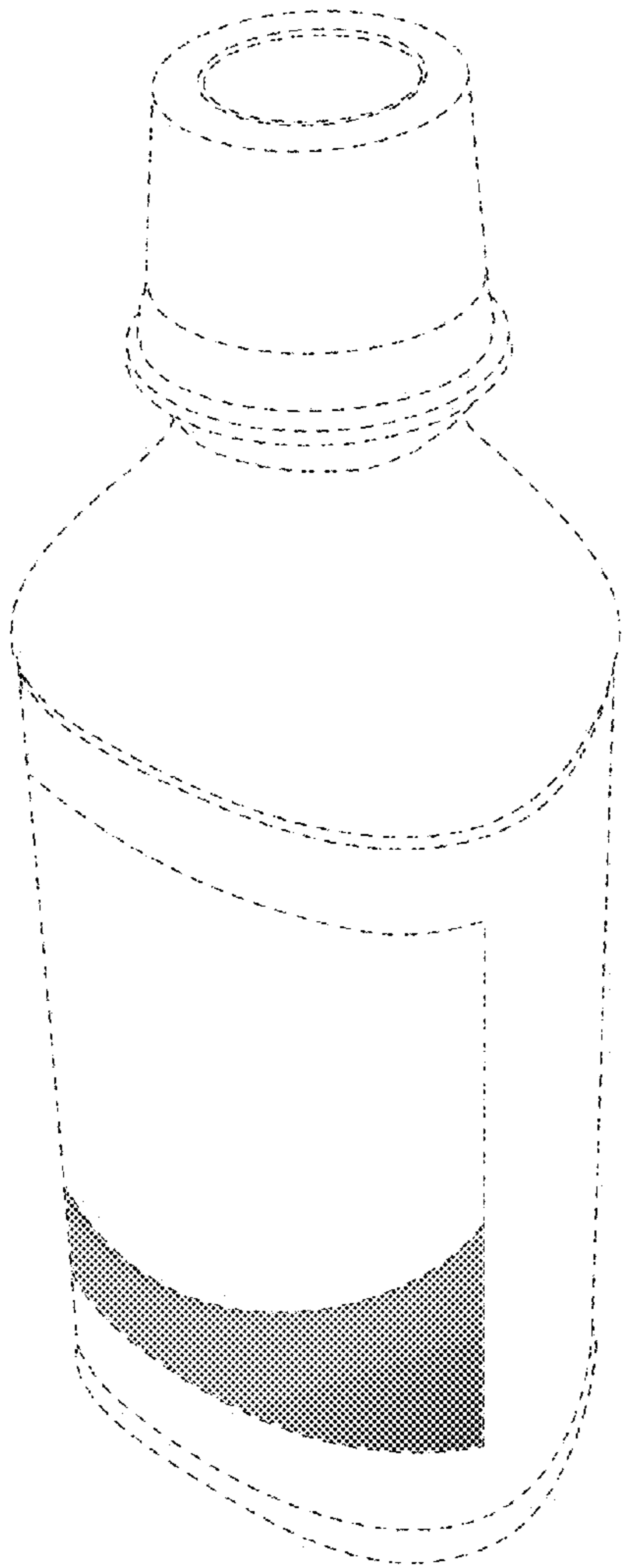


Fig. 8

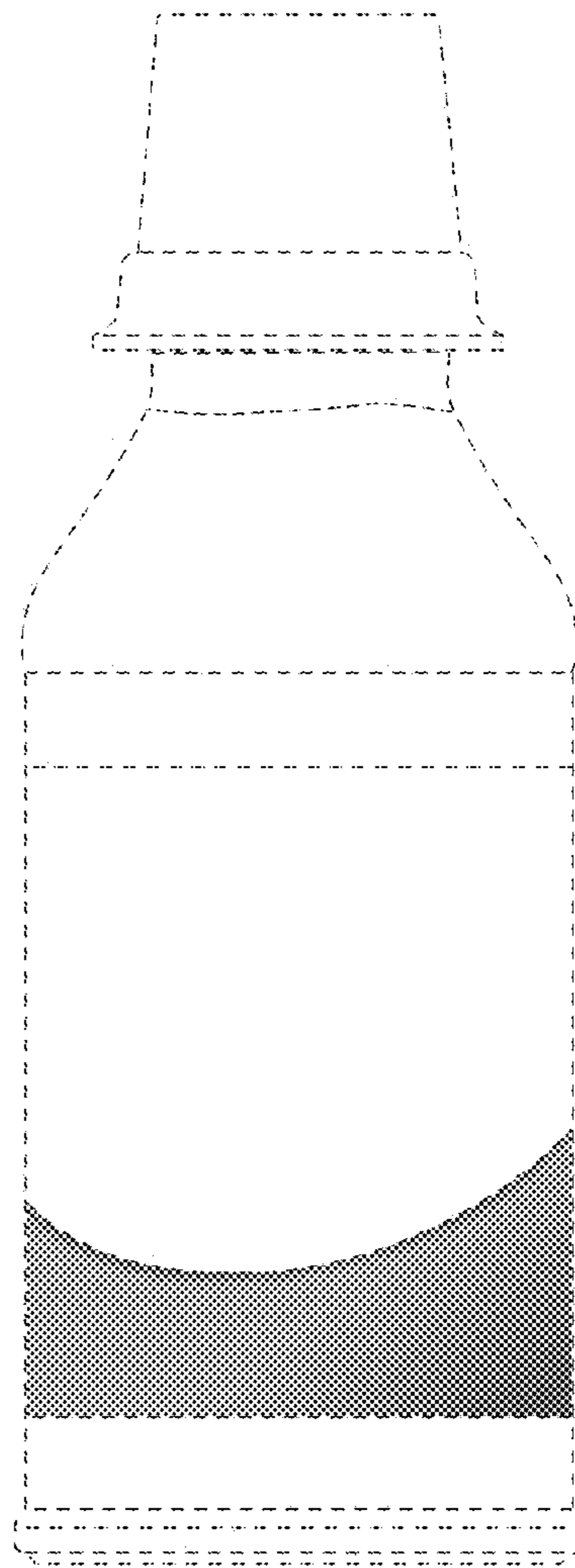


Fig. 9

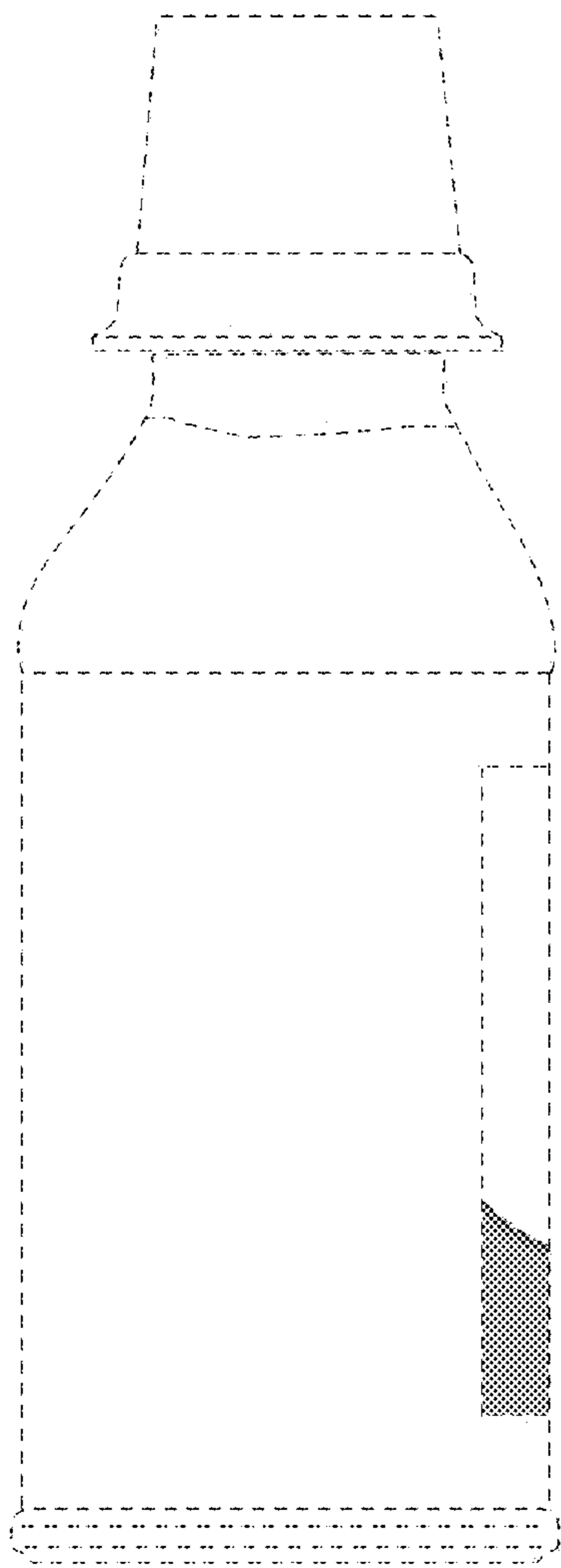


Fig. 10

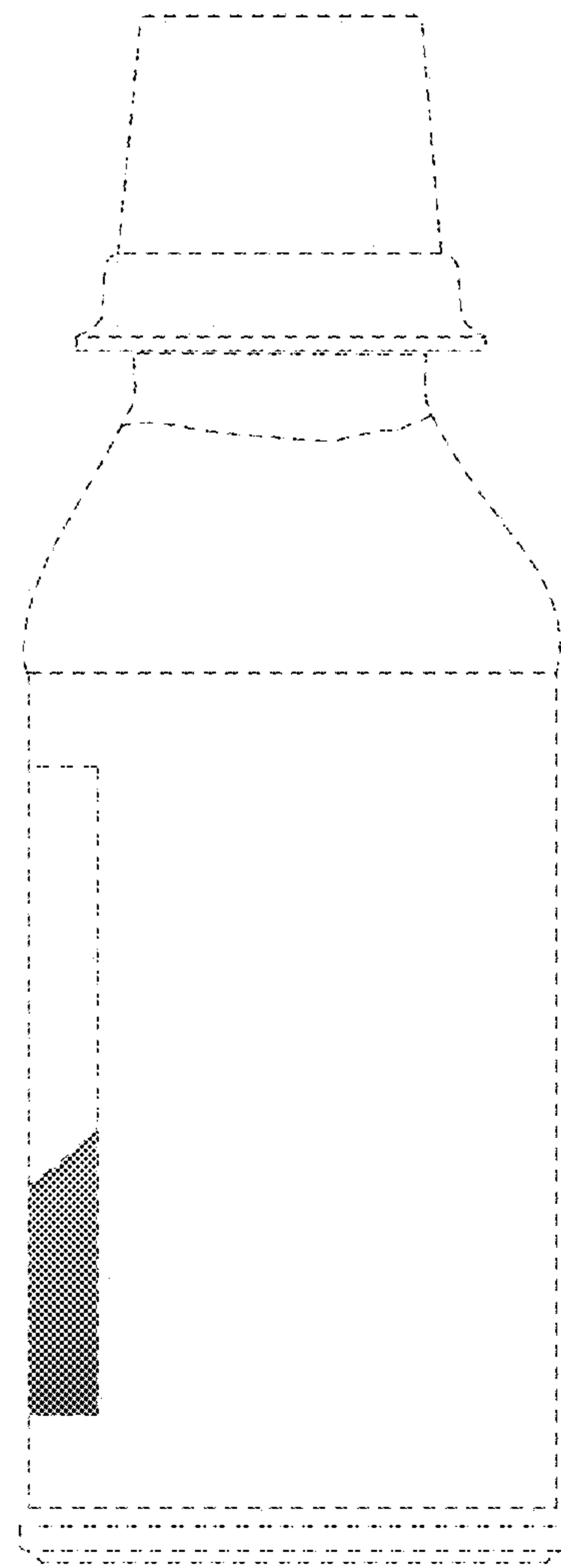


Fig. 11

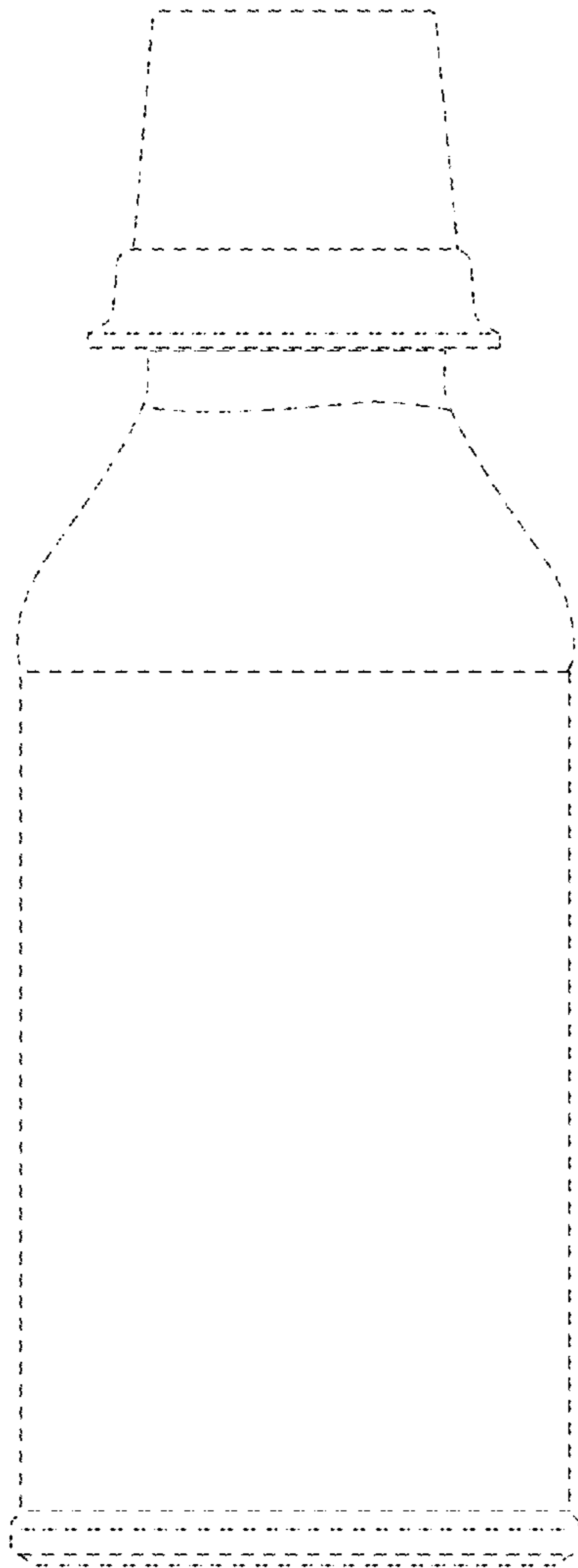


Fig. 12

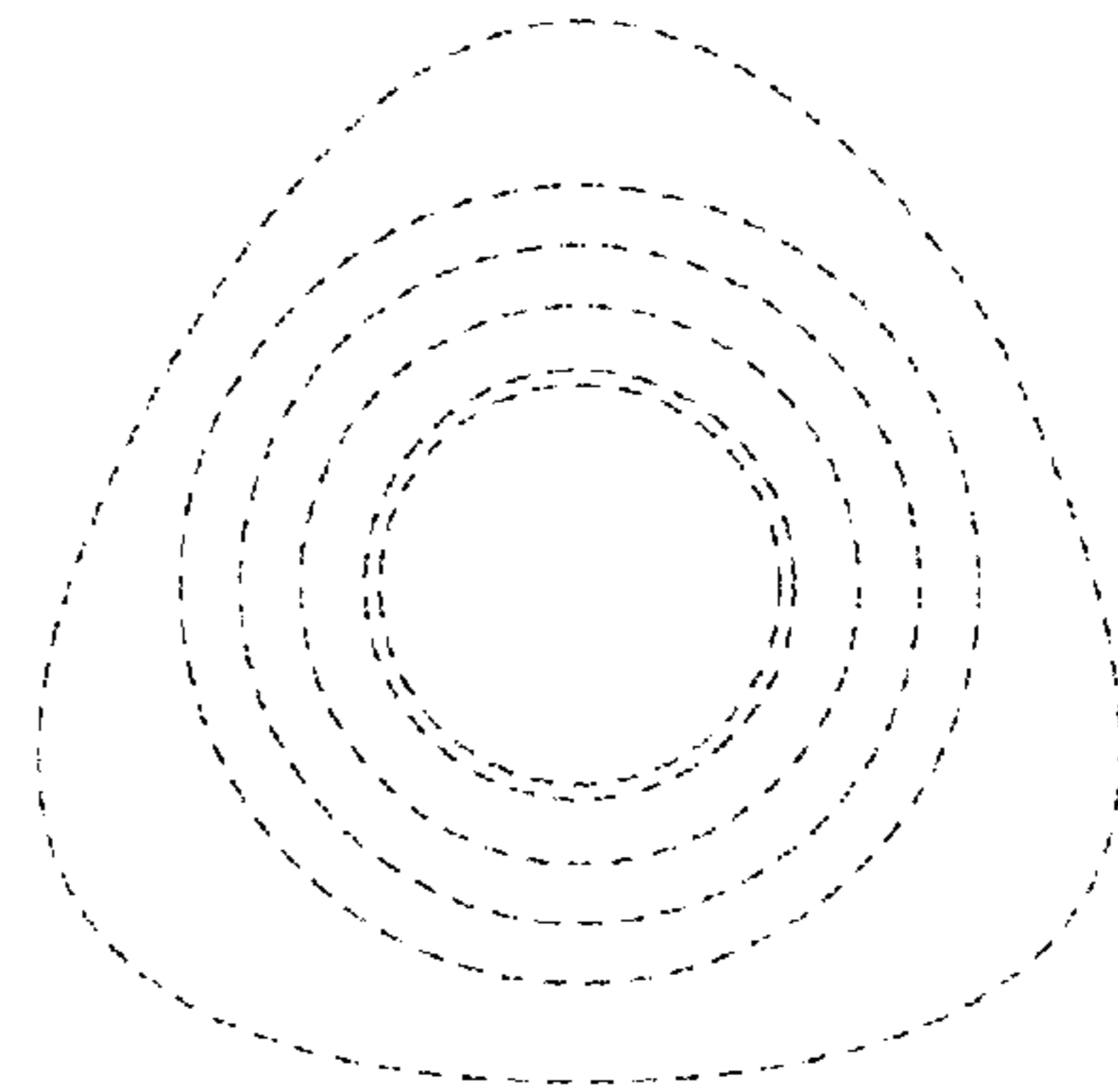


Fig. 13

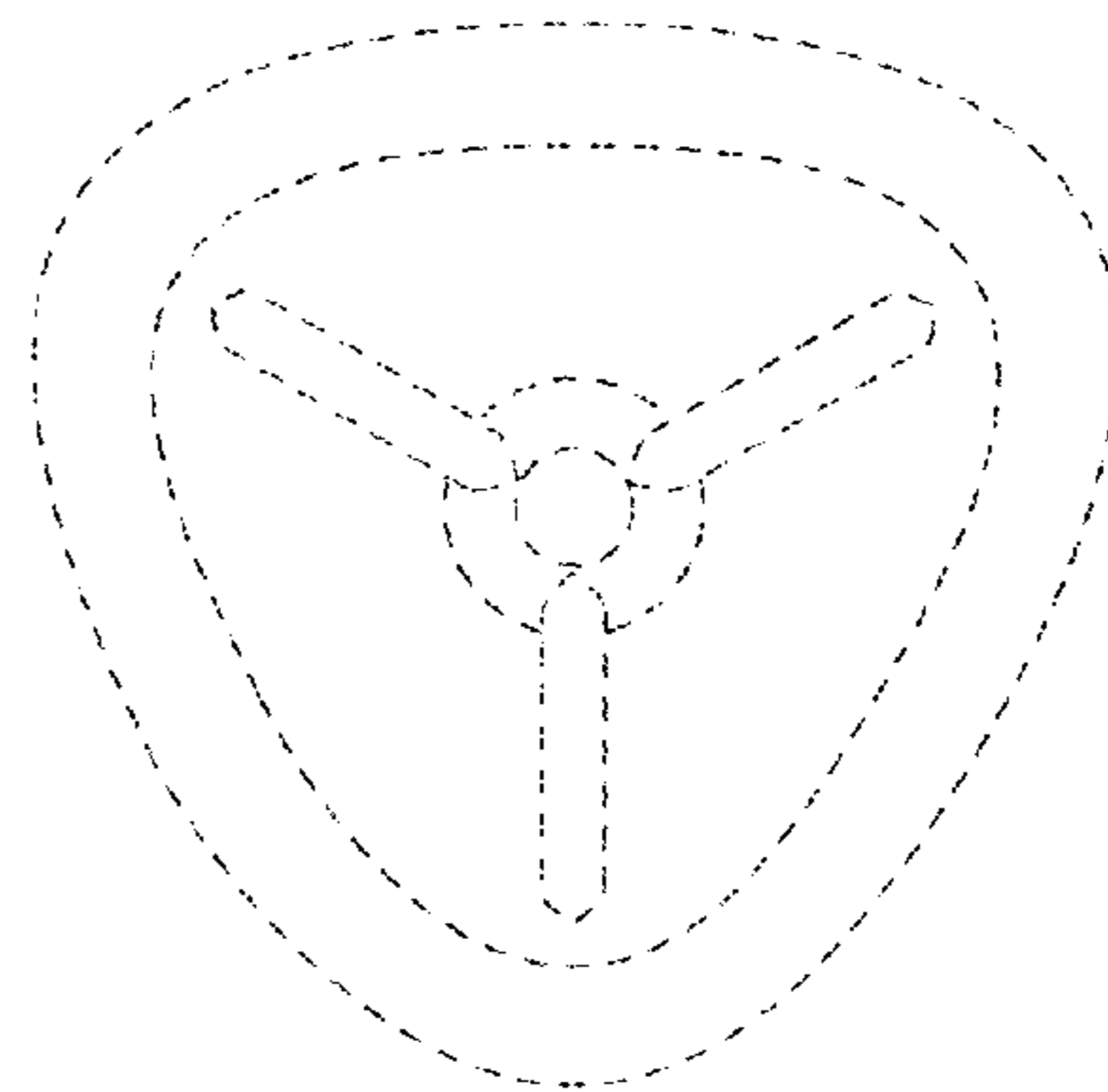


Fig. 14

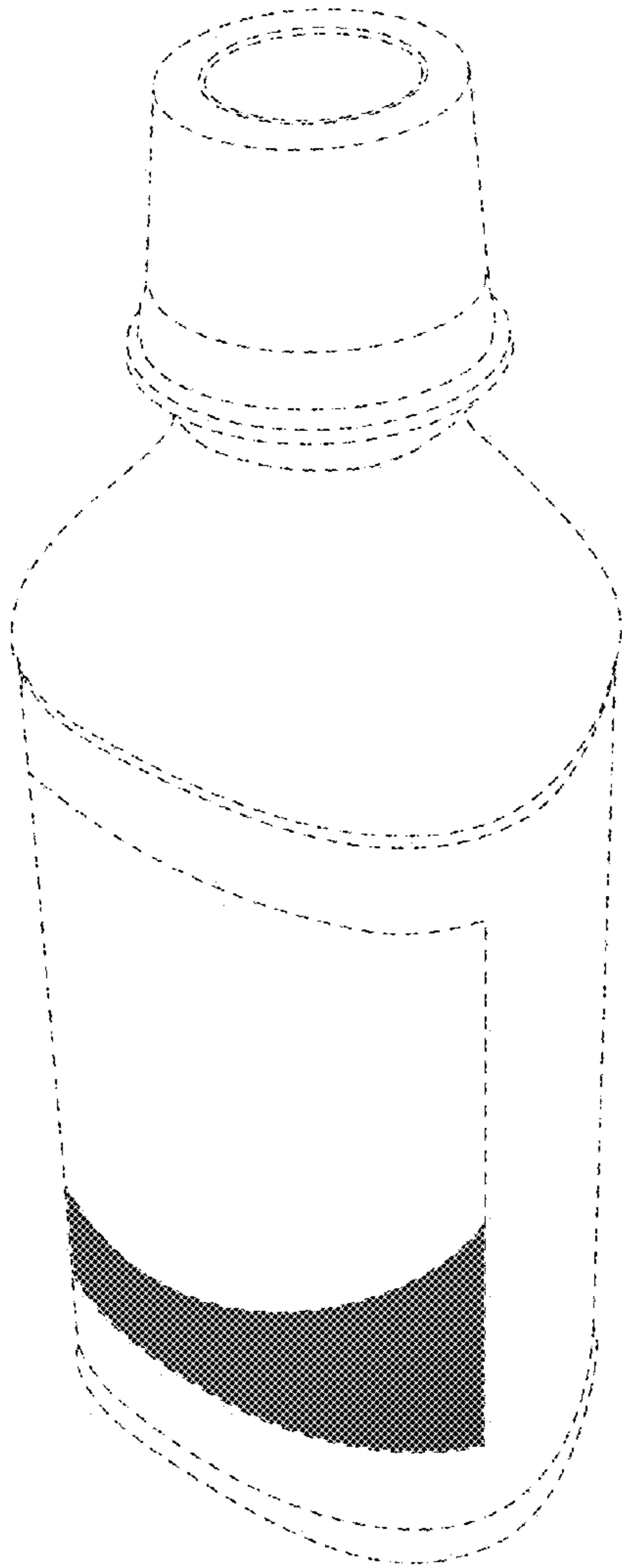


Fig. 15

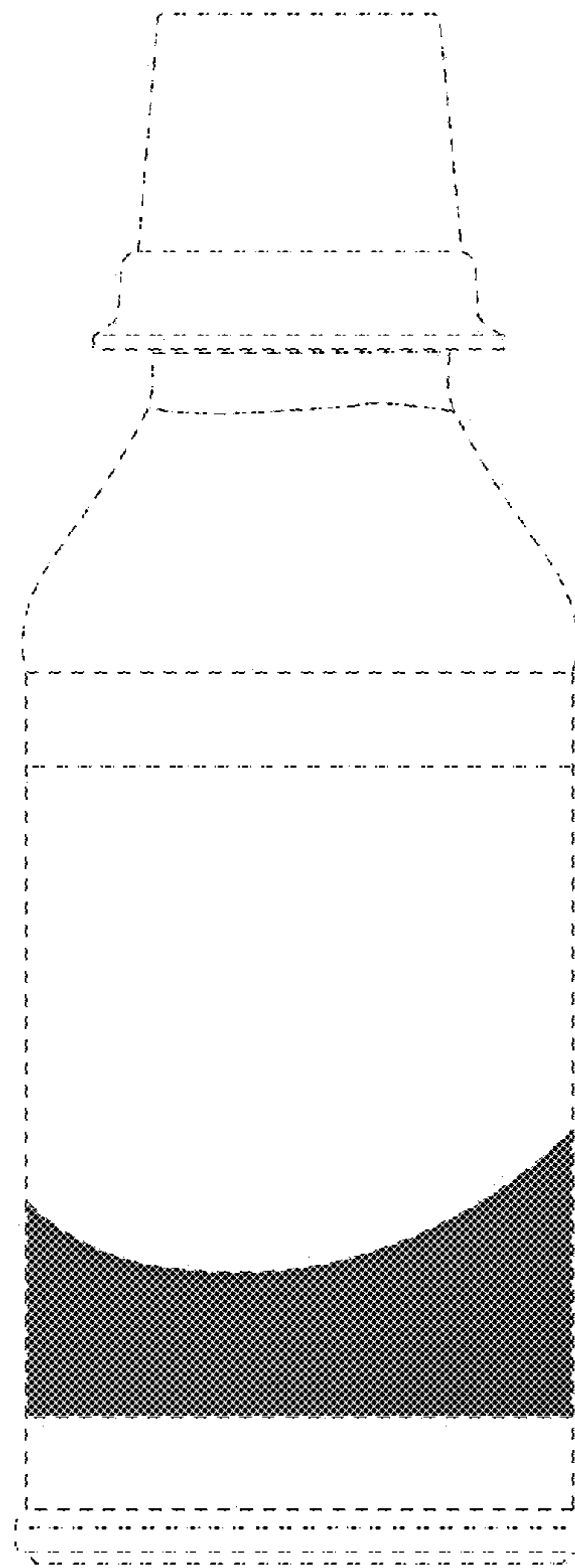


Fig. 16



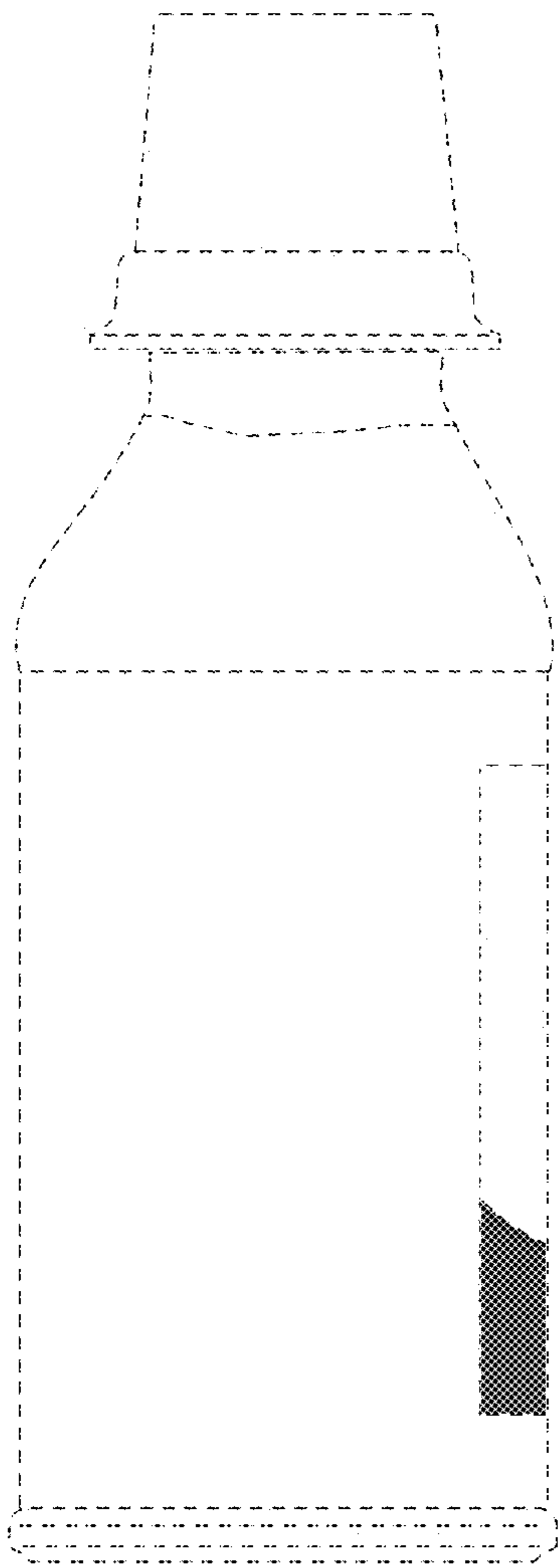


Fig. 17

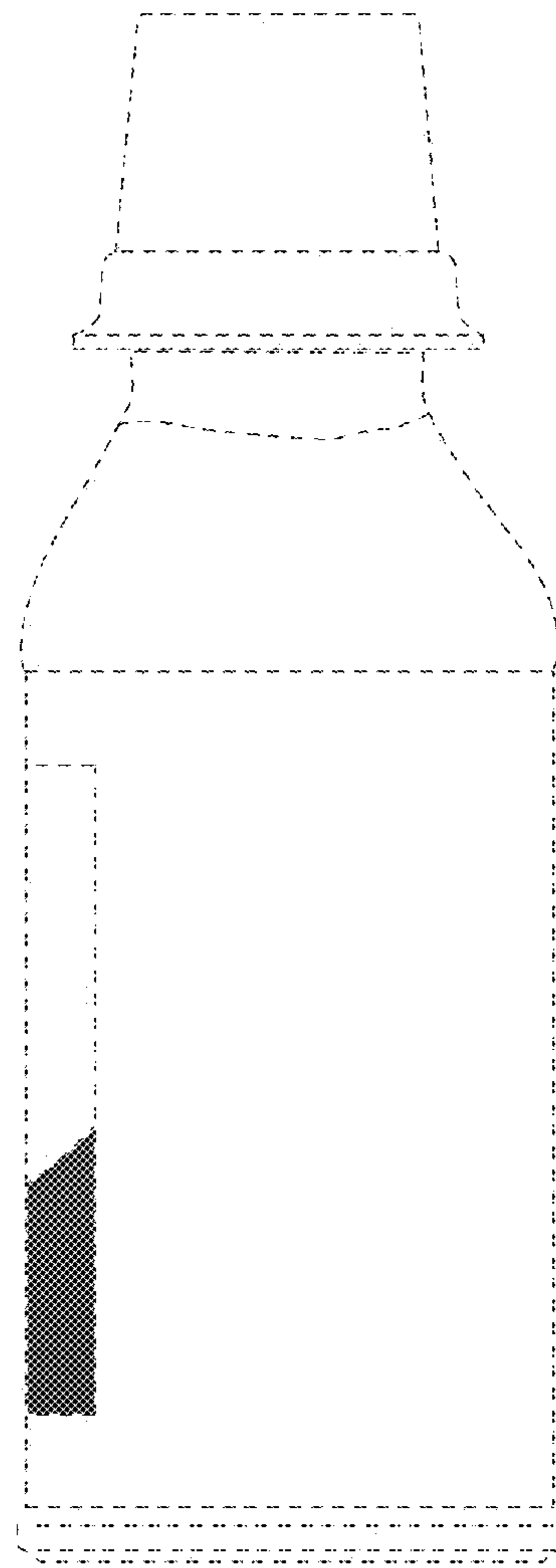


Fig. 18

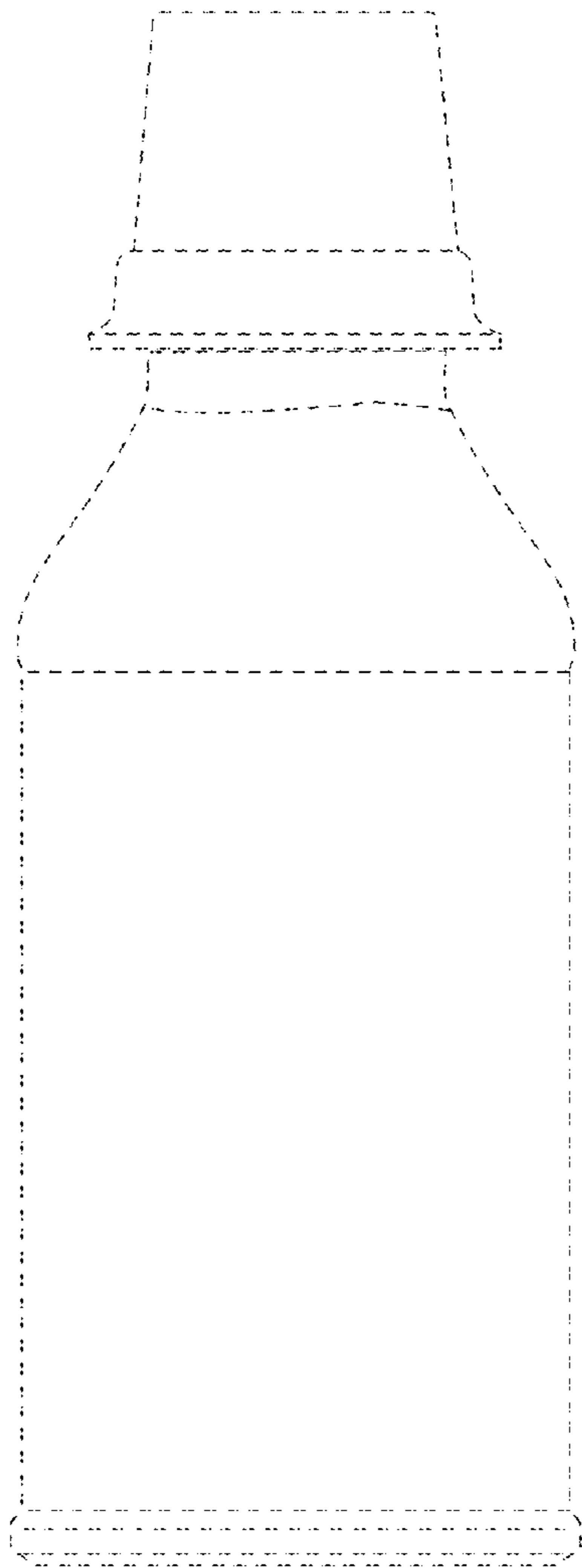


Fig. 19

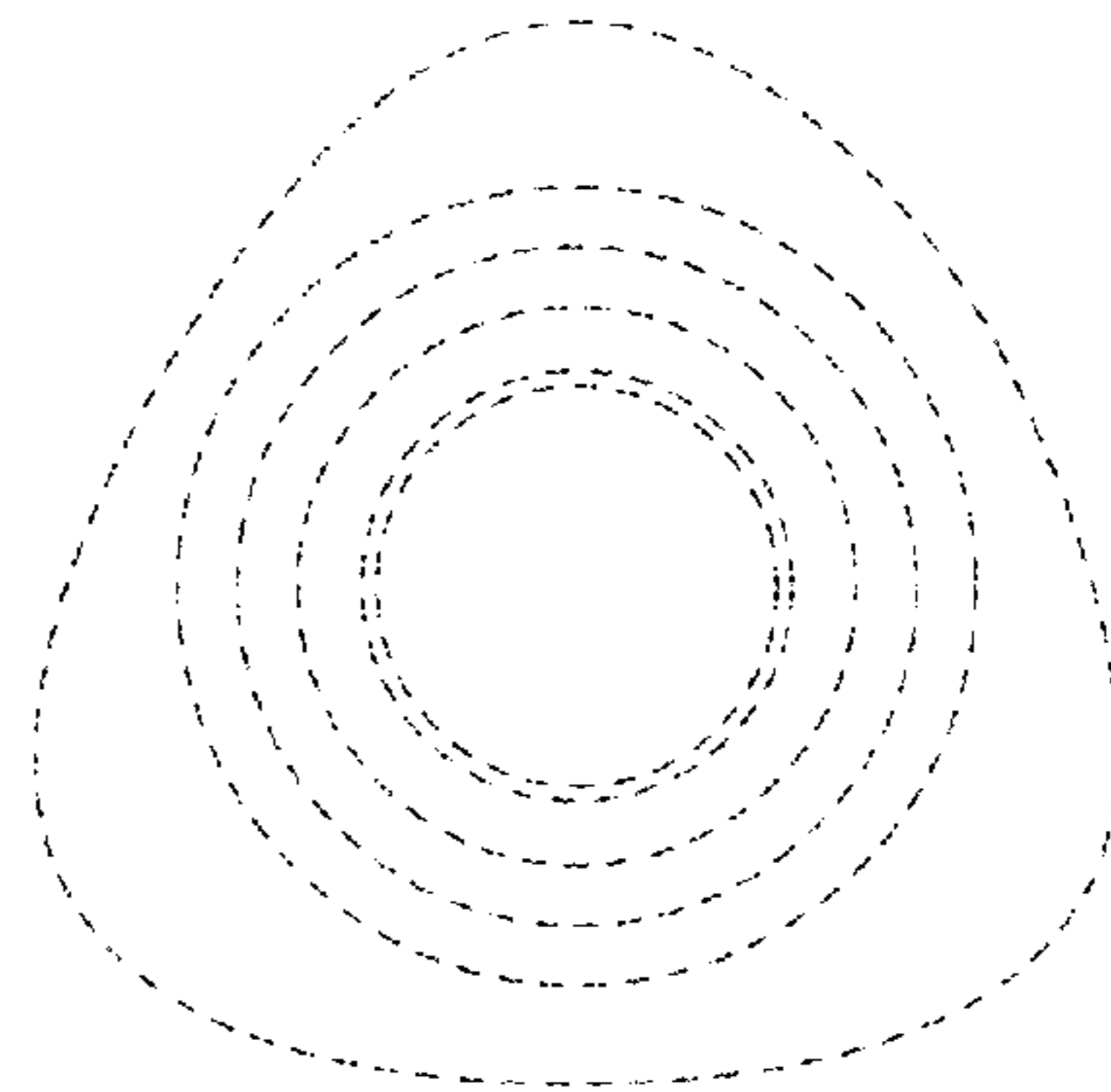


Fig. 20

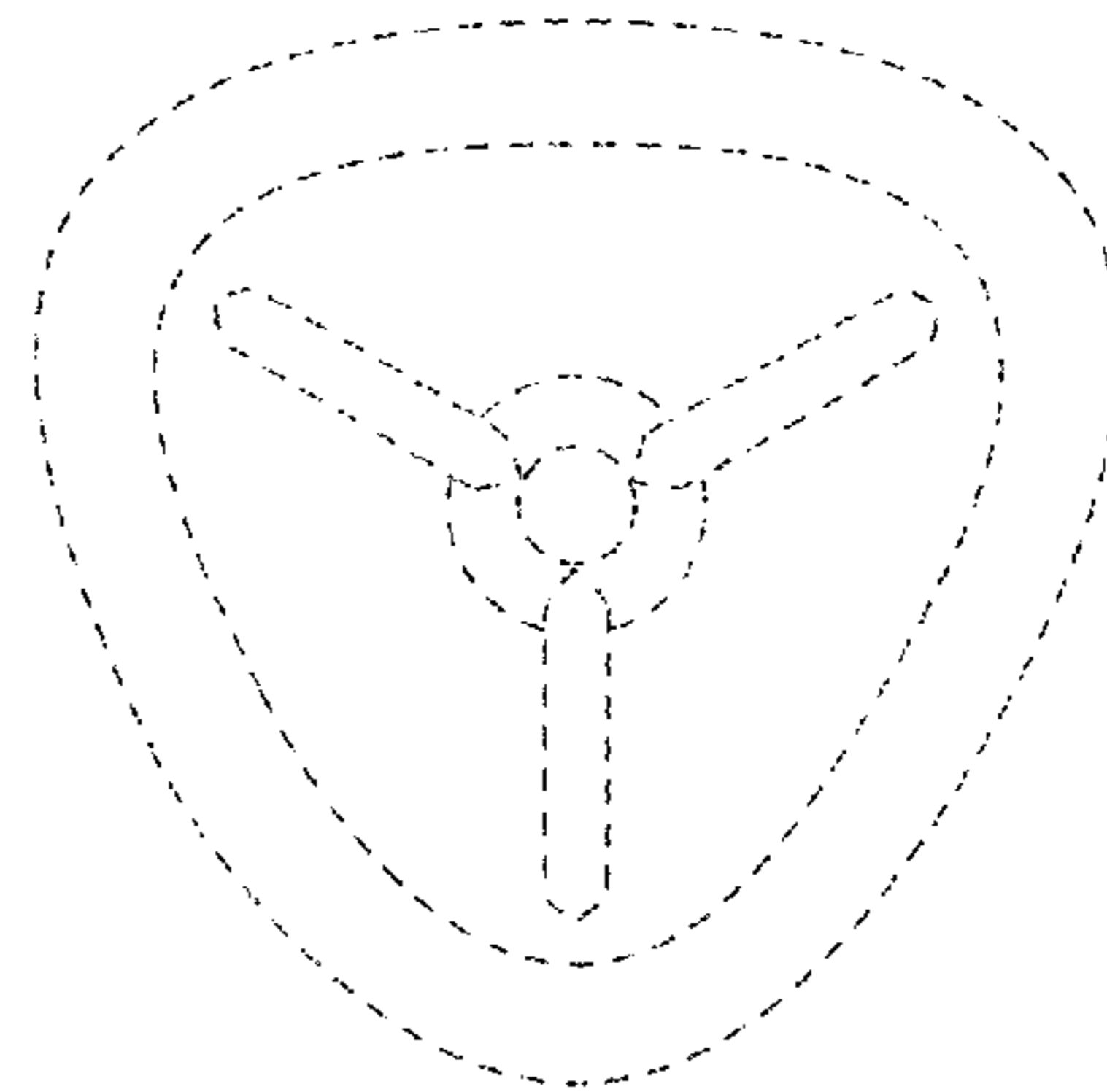


Fig. 21